

NOTICE

- * Please make sure that you have all parts indicated and they are in good condition before you begin assembly of this item. Refer to part list and hardware list below for guidance.
- * This item should be assembled on a soft surface to prevent scratching the finish during assembly.
- * This item may require periodic painting.
- * If you are having difficulty, our friendly Customer Care team is always here to help.





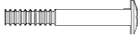
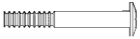
PREPARATION

- * Before beginning assembly of product, make sure all parts are present. Compare parts with part contents list and hardware contents list.
- * If any part is missing or damaged, do not attempt to assemble the product.
- * Estimated Assembly Time: 10 minutes.
- * Tools Required for Assembly (excluded): Allen Key

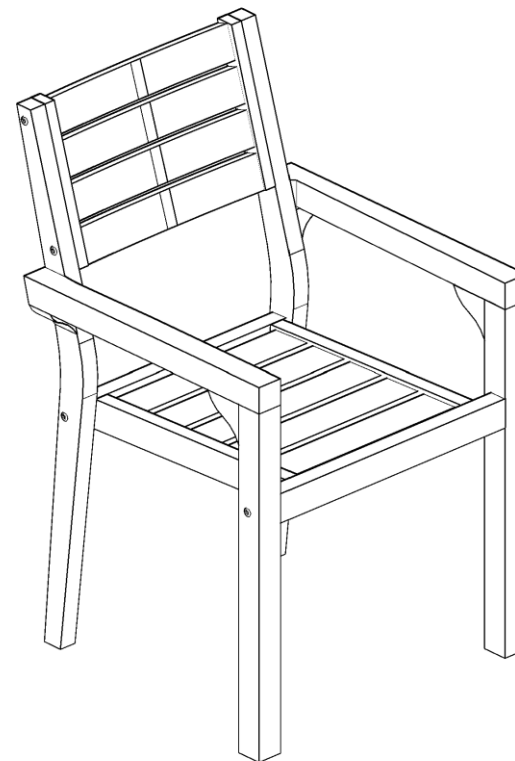
CARE AND MAINTENANCE

Store outdoor furniture indoors or cover well when not in use. Remove wooden furniture from standing water. Dust regularly with small brush or vacuum. Spills should be taken care of immediately before they harden or stain with a slightly dampened sponge.

Part List and Hardware List

PIECE	DESCRIPTION	PICTURE	QUANTITY
A	RIGHT LEG		1x
B	LEFT LEG		1x
C	SEATER		1x
D	BACKREST		1x
E	KD BOLT 6 mm x 4 cm		6x
F	KD BOLT 6 mm x 6 cm		2x

Product Dimension 57 X 60 X 92



⚠ WARNING ⚠

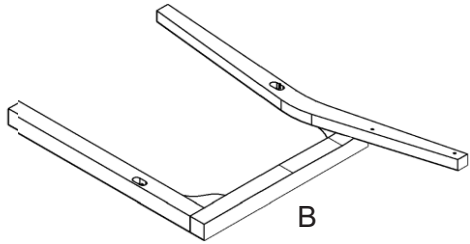
Weight Capacity 275 Lbs

Warning : Do not stand on the stacking chair

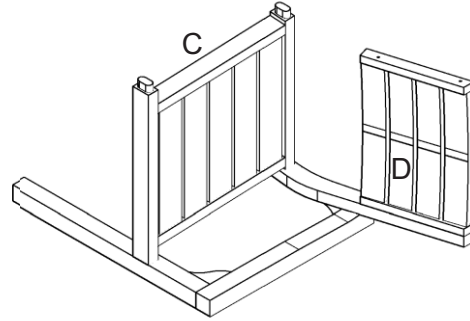
Warning : Do not over torque bolt

PREPARATION

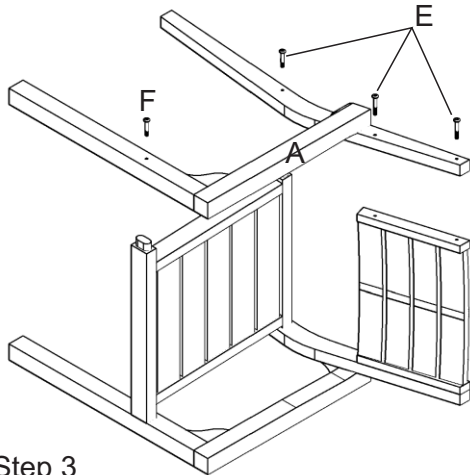
- * Before beginning assembly of product, make sure all parts are present. Compare parts with part contents list and hardware contents list.
- * If any part is missing or damaged, do not attempt to assemble the product.
- * Estimated Assembly Time: 10 minutes.
- * Tools Required for Assembly (included): Allen Key
- * If you are having difficulty, our friendly Customer Care team is always here to help.



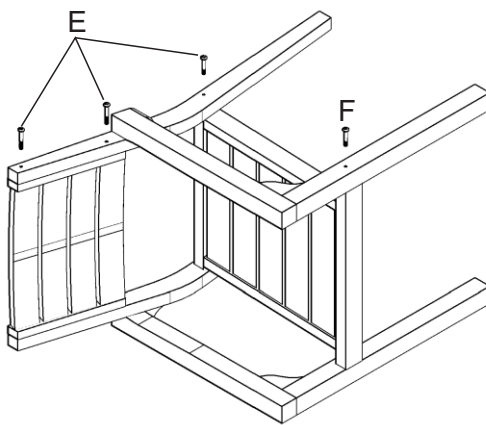
Step 1.
Place the left leg(B) on the clean area



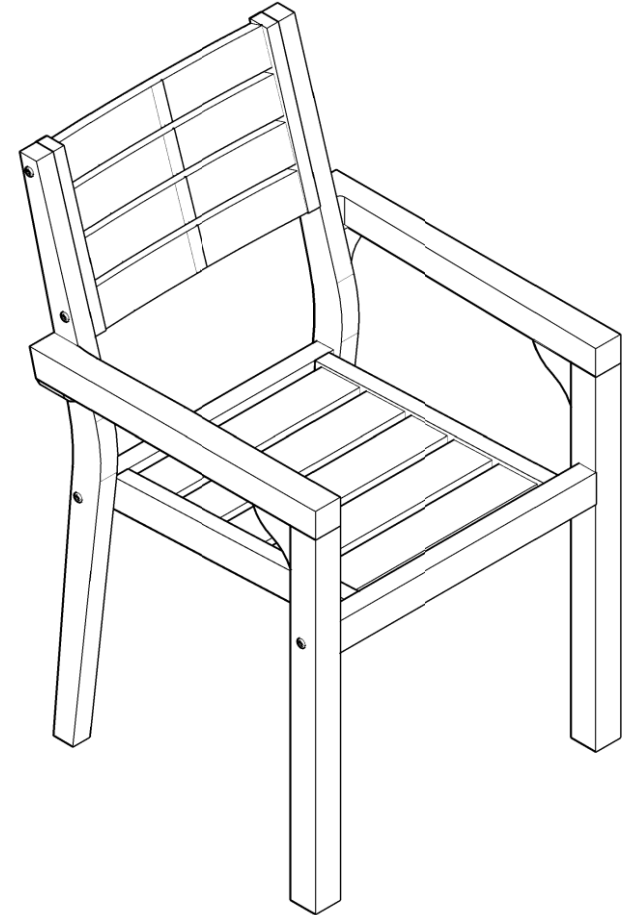
Step 2.
Place the seater (C) and the backrest (D) into the left leg (B)



Step 3
Place the right leg (A) into the seater (C) and the backrest (D), then tighten the KD Bolt



Step 4.
Turn the other side and tighten the KD Bolt



Step 5
Finished