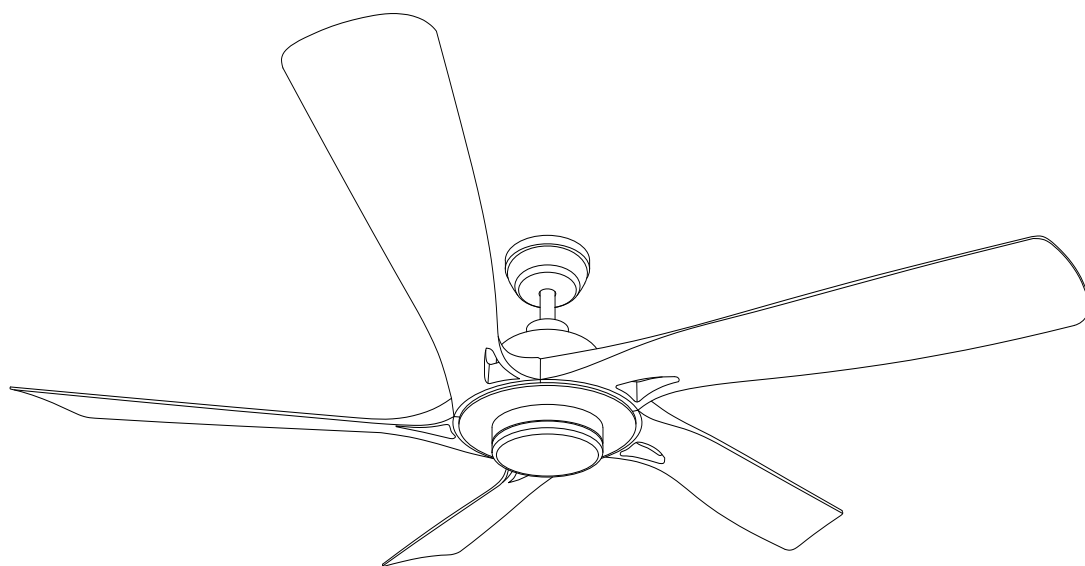


CEILING FAN WITH LIGHT



INSTALLATION MANUAL

TOOLS REQUIRED



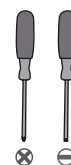
Ladder



Pliers



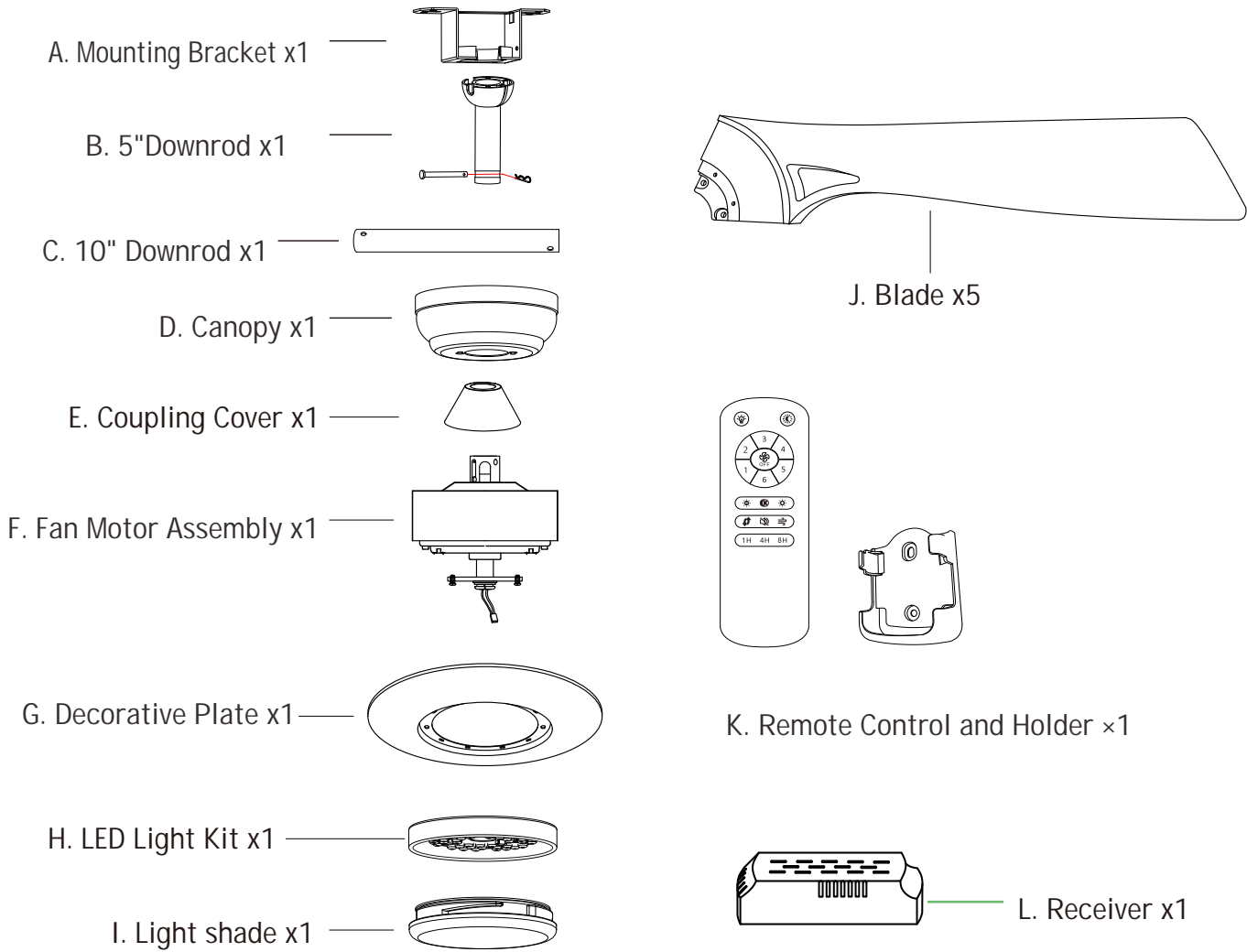
Wire Strippers



Screwdrivers







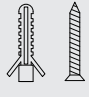
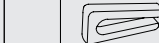


01

PACKING LIST



02

INSTALLATION KIT

AA  2× Outlet Box Screw with Washer	BB  4× Wood Screw with Washer	CC  11× Fan Blade Screw	DD  11× Fan Blade Washer	EE  11× Decorative Plate Screw
FF  3× Wire Nut	GG  2× Holder Screw and Plastic Anchor	HH  1× Plastic Clip and Balancing Weight Washer	II  1× Clevis Pin & "R" Pin	JJ  1× Gloves

NOTE:

1. Some extra hardware may be included. The quantity listed above is the number required for installation.
2. Clevis Pin & "R" Pin (II) is pre-installed on a 5" Downrod (B). They need to be disassembled before installation.
3. CC/DD/EE has one spare.

03

INSTALLATION

1. INSTALLING THE MOUNTING BRACKET

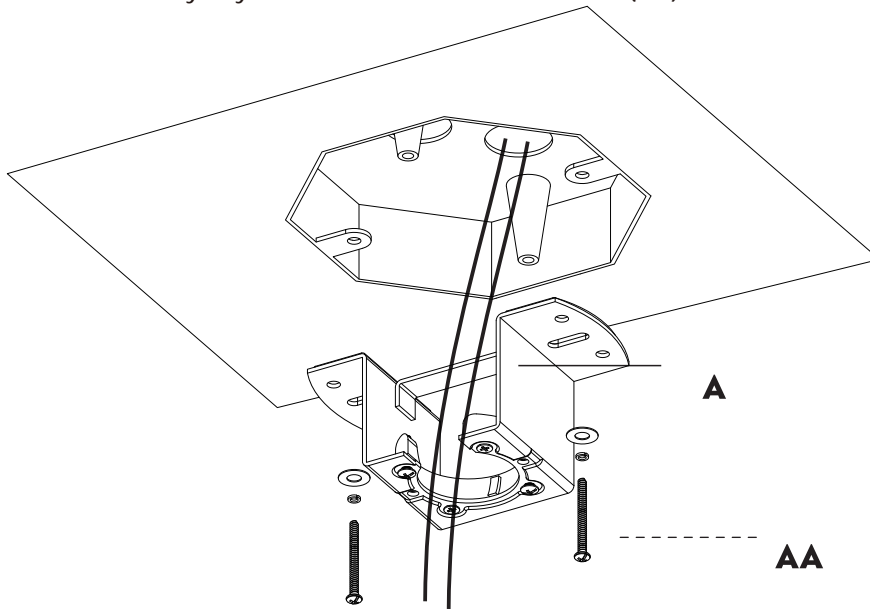
Step 1. Take off the screws from the outlet box.

Step 2. Secure the Mounting Bracket (A) onto the outlet box with screws taken off or Outlet Box Screw (AA) provided.

NOTE:

REMEMBER TO TURN OFF THE POWER.

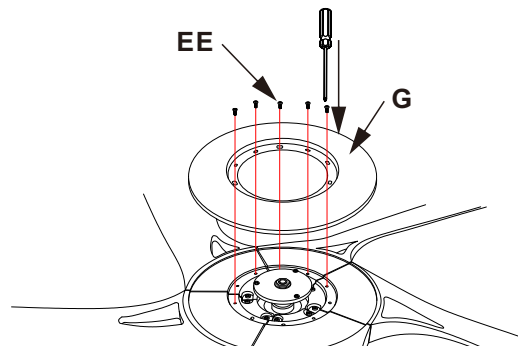
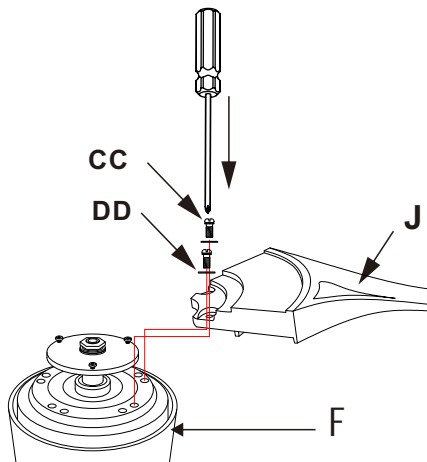
Wood Screws (BB) is not necessary if you use the Outlet Box Screw (AA).



2. ASSEMBLING THE FAN BLADES

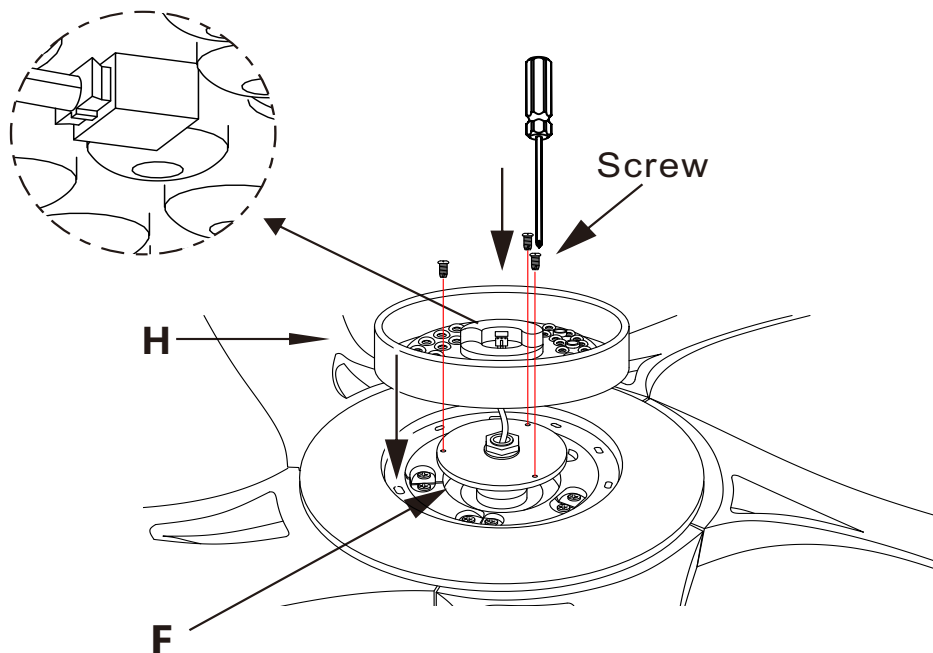
Step 1. Align the Fan Blades (J) with the mounting holes, and fix them with the Fan Blade Screw (CC) and Fan Blade Washer (DD) .

Step 2. Align the Decorative Plate (G) with the mounting holes, and fix them with Decorative Plate Screw (EE) to the Fan Motor Assembly (F).



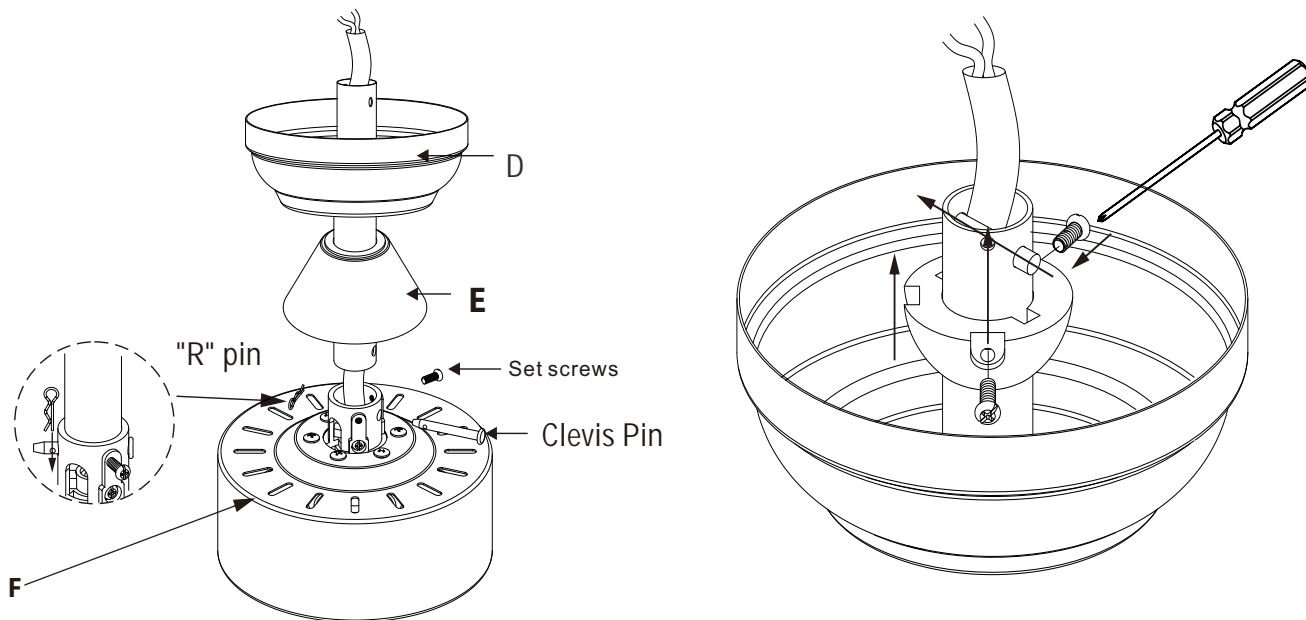
3. INSTALLING THE LED LIGHT KIT

Step 1: Fix the Light Kit Mounting Plate on the Fan Motor Assembly (F) with fixing screws taken off.
Step 2: Connect the wire terminal to the LED Light Kit (H) interface.

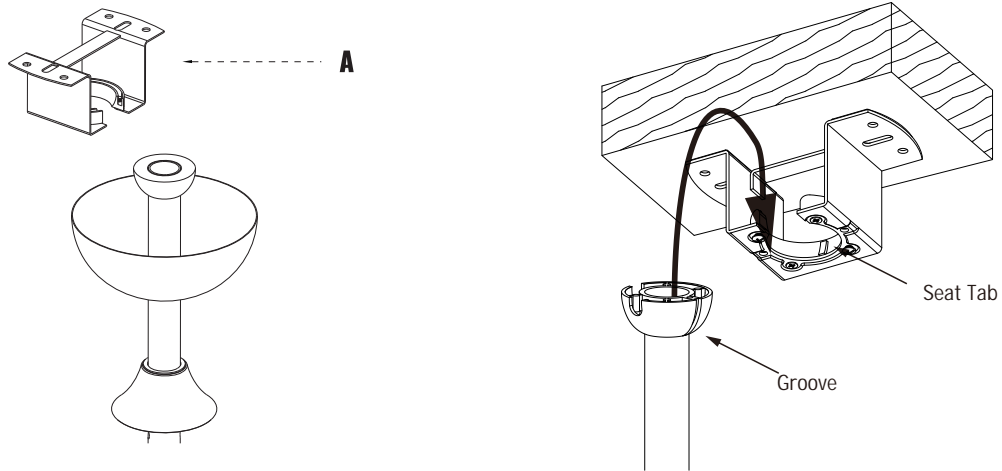


4. HANGING THE FAN

Step 1. Assemble the Canopy (D) and Coupling Cover (E), and route wires from the fan through the downrod.
Step 2. Loosen the set screw from the yoke but do not take off, align the holes at the bottom of the downrod with those in the yoke.
Step 3. Carefully insert the Clevis Pin (II) through the holes in the yoke and downrod (Be careful not to jam the Clevis Pin (II) against the wires inside the downrod).
Step 4. Insert the "R" pin (II) into the end of the Clevis Pin (II).

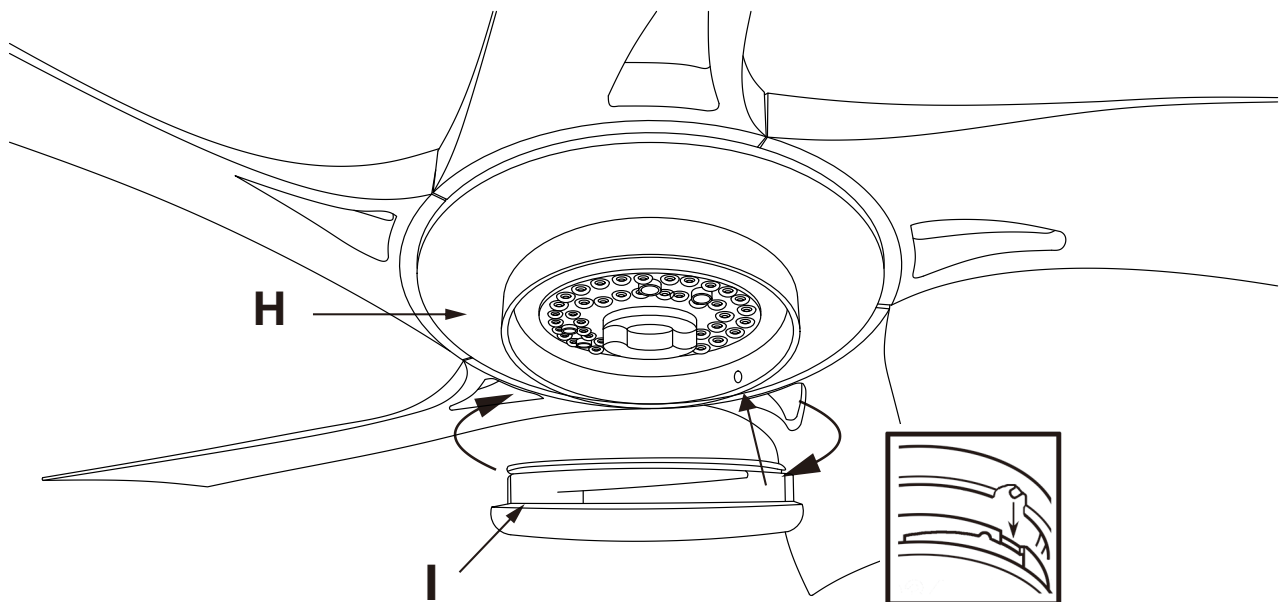


Step 5. Lift the downrod into the Mounting Bracket (A). Rotate the downrod until the seat tab in the Mounting Bracket (A) is seated in the groove in the downrod ball.



5. INSTALLING THE LIGHT SHADE

Step 1. Rotate the Light Shade (I) clockwise to secure it to the lamp panel.

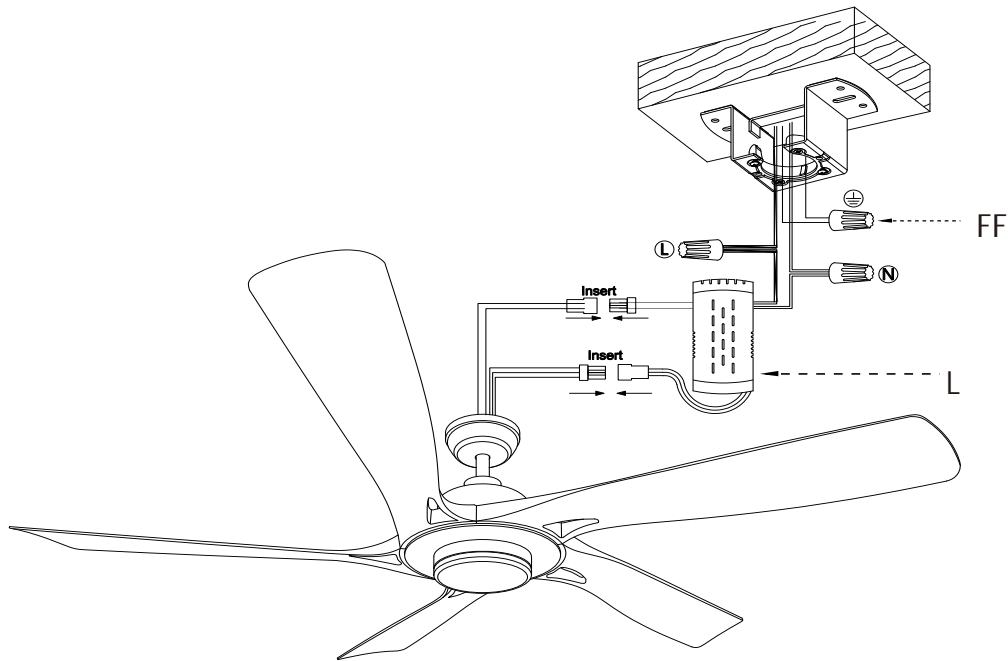


6. WIRING

Step 1. Insert the Receiver (L) into the Mounting Bracket (A).

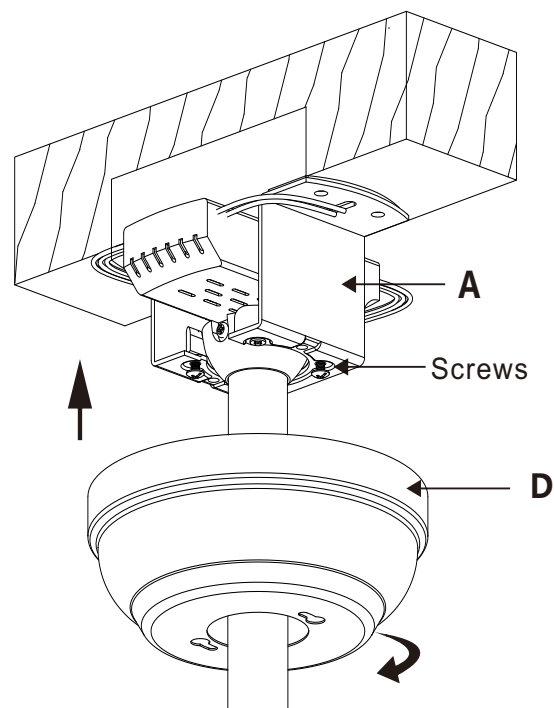
Step 2. Connect the wires from the fixture to the house supply wires with Wire Nuts (FF), ground wire (green, green/yellow, or bare copper) to ground wire, neutral wire (white or blue) to neutral wire, and hotwire (black or brown) to the hot wire.

Step 3. Wrap the connection with electrical tape.



7. ATTACHING THE CANOPY

Step 1. Slide the Canopy (D) up to the ceiling and attach it to the Mounting Bracket (A) with the set screws provided.



04

REMOTE CONTROL INSTRUCTIONS

REMOTE SIGNAL PAIRING:

IF THE REMOTE CONTROL LOSES SIGNAL OF THE FAN, PRESS AND HOLD THE BUTTON ⑦ AT THE VERY BEGINNING AFTER IT'S TURNED ON FROM WALL SWITCH. AFTER THE FAN LIGHT FLASHES OR BEEPS, IT'S DONE.

- ①: Turn on / off the light.
- ②: Turn on the fan on 1/2/3/4/5/6 speed.
- ③: Adjust the brightness of the light.
- ④: Fan moves forwards or reversely.
- ⑤: 1H/4H/8H for timing the fan.
- ⑥: Night mode, lights will be dimmed when press this button.
- ⑦: Turn off the fan.
- ⑧: Adjust the light color temperature.
- ⑨: Natural wind, fan speed will change automatically with this function.
- ⑩: Turn on/off the mute mode.

