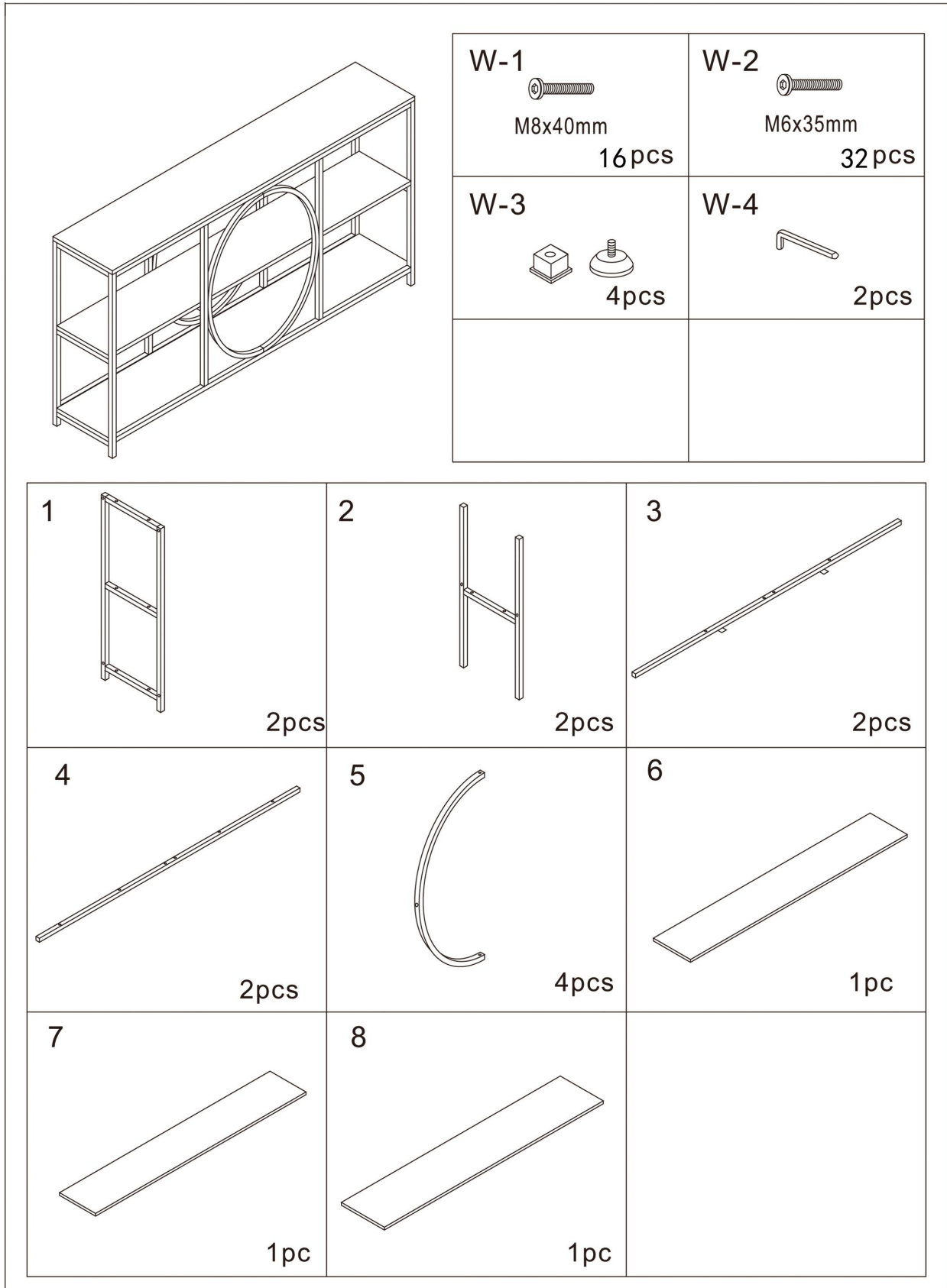




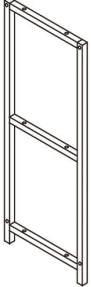
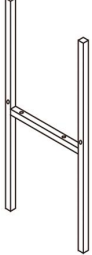
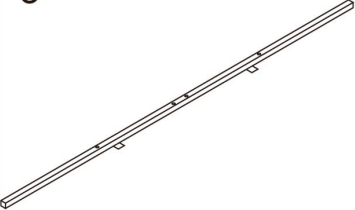
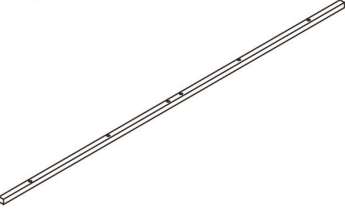

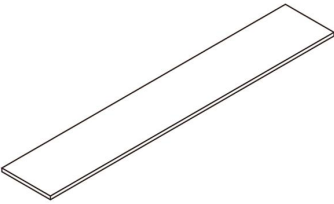
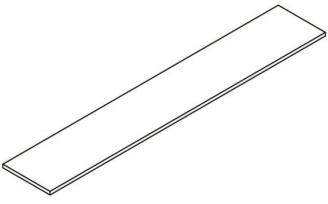
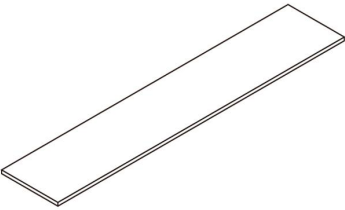


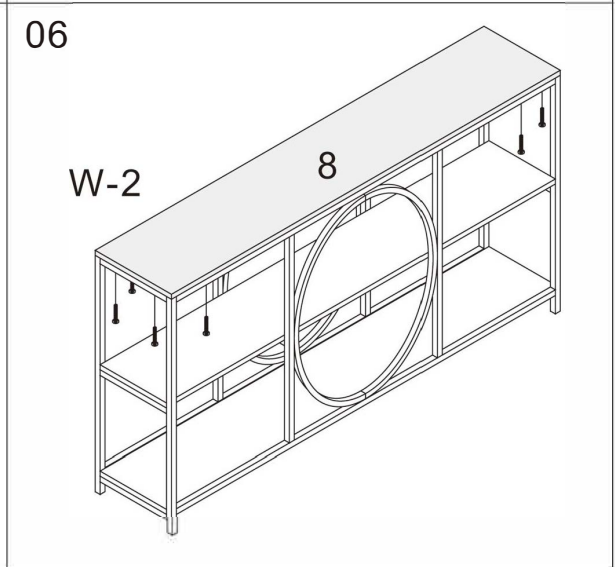
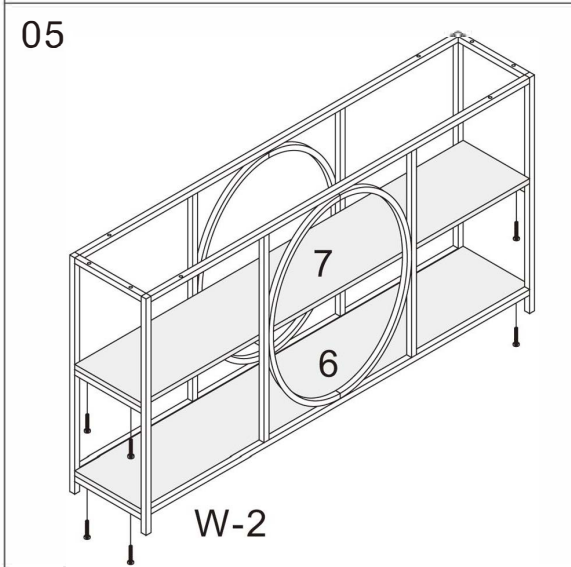
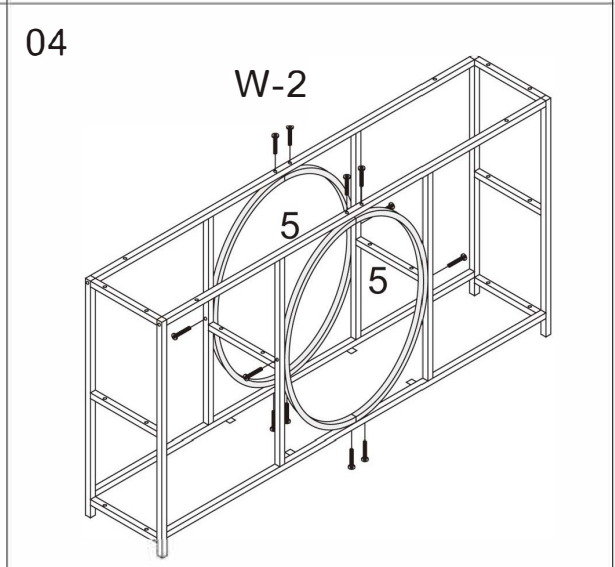
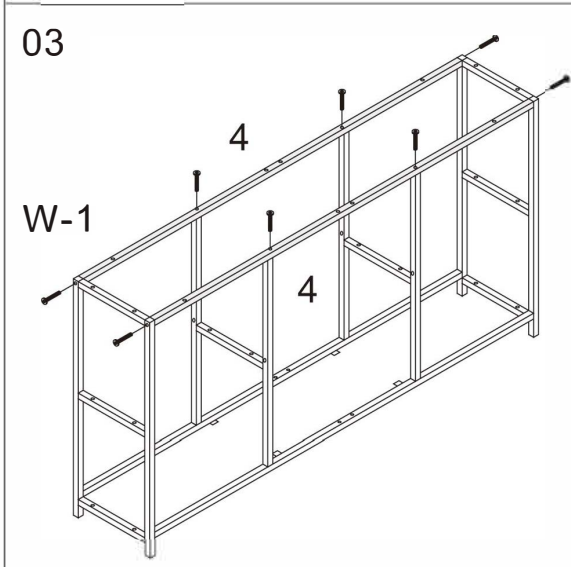
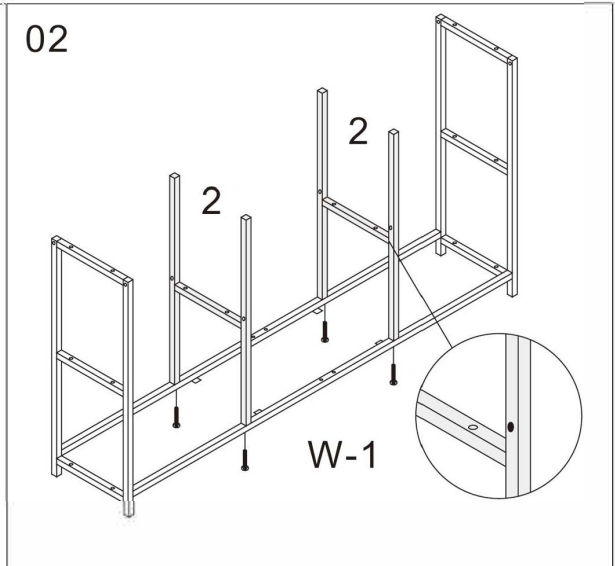
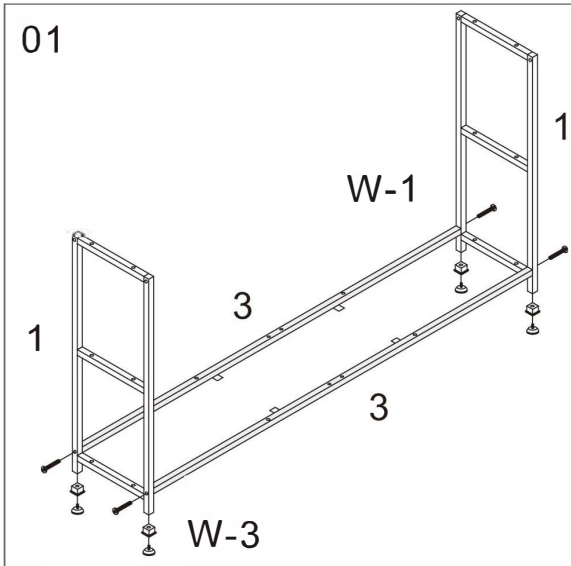
Installation instructions



<p>W-1</p>  <p>M8x40mm 16 pcs</p>	<p>W-2</p>  <p>M6x35mm 32 pcs</p>
<p>W-3</p>  <p>4 pcs</p>	<p>W-4</p>  <p>2 pcs</p>

<p>1</p>  <p>2 pcs</p>	<p>2</p>  <p>2 pcs</p>	<p>3</p>  <p>2 pcs</p>
<p>4</p>  <p>2 pcs</p>	<p>5</p>  <p>4 pcs</p>	<p>6</p>  <p>1 pc</p>
<p>7</p>  <p>1 pc</p>	<p>8</p>  <p>1 pc</p>	

Notes: Don't tighten screws completely at first, just in case parts were assembled wrong and need disassembled. Tighten screws at last when all parts are put together.



© 2010 IKEA. All rights reserved. IKEA, the IKEA logo, and the words "Ikea of Sweden" are registered trademarks of the company. The words "Ikea" and "Ikea of Sweden" are also registered trademarks of the company. The words "Ikea" and "Ikea of Sweden" are also registered trademarks of the company. The words "Ikea" and "Ikea of Sweden" are also registered trademarks of the company.