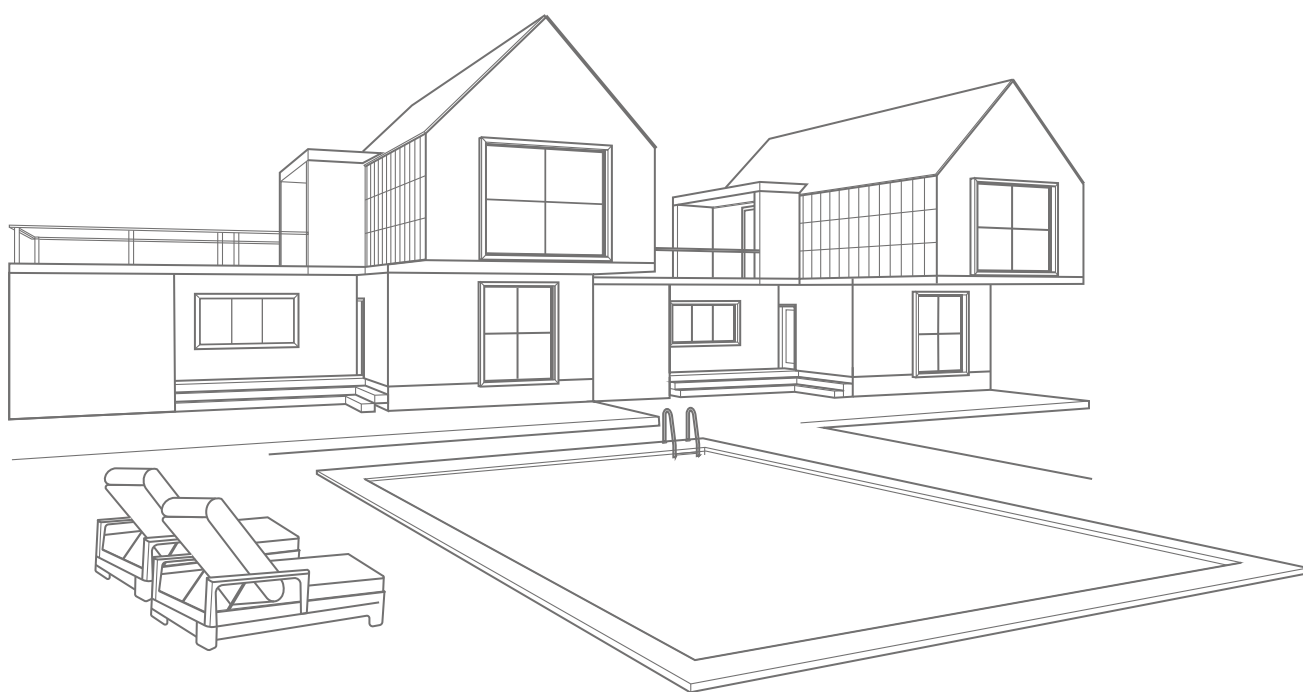
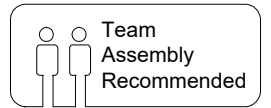
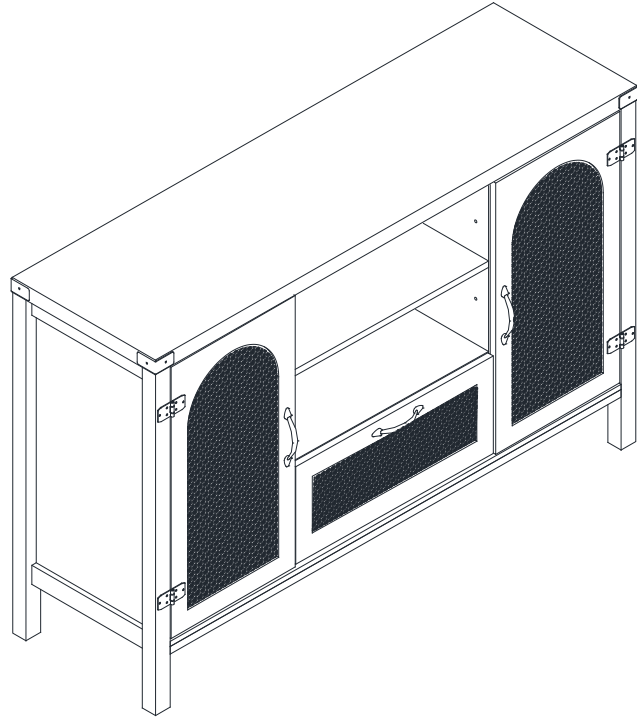
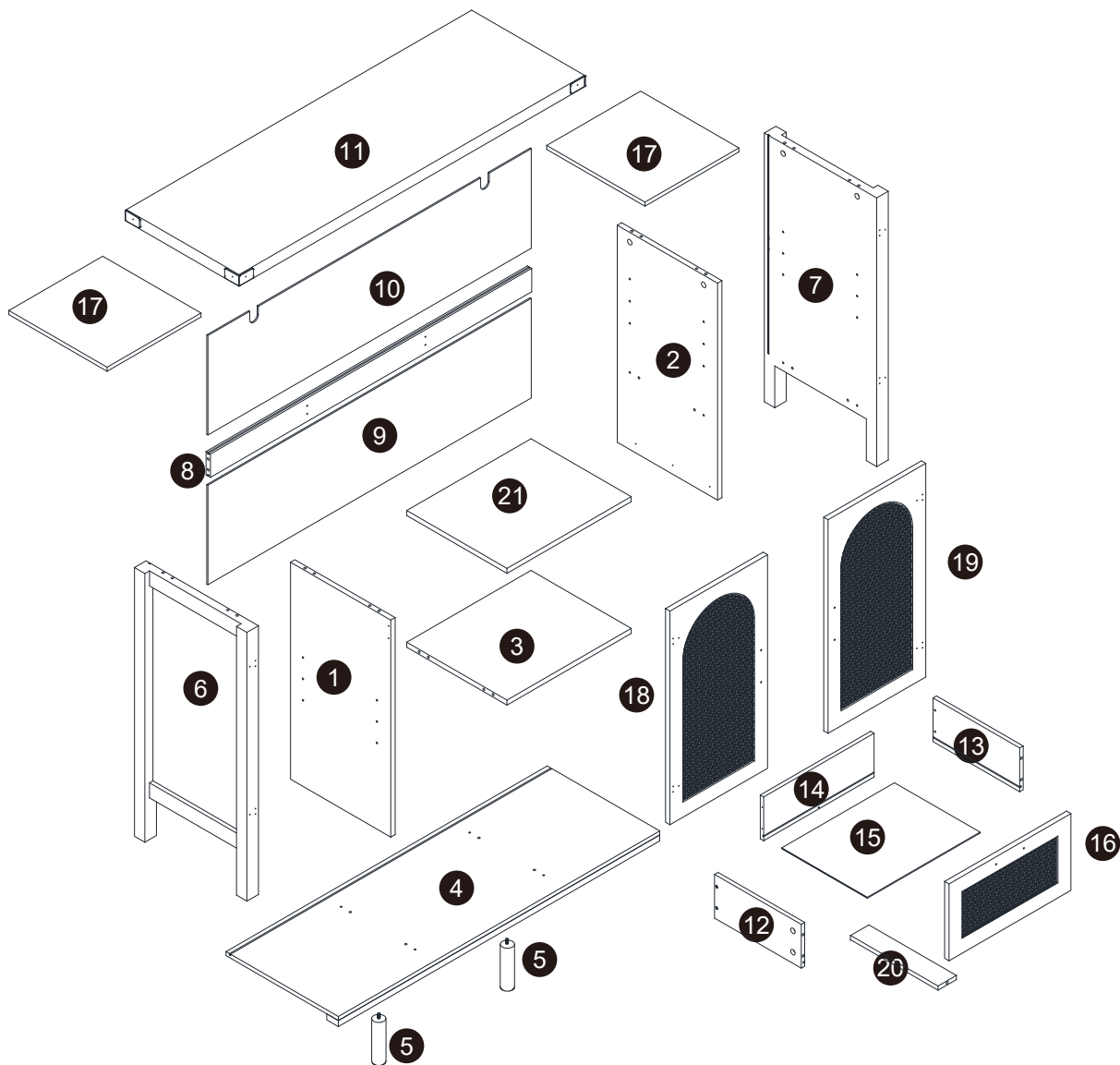


# Sideboard

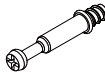
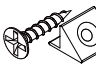



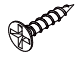
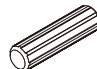





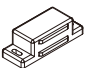








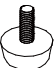



# Assembly Instruction

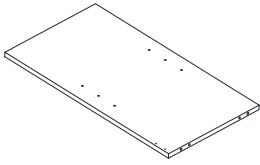
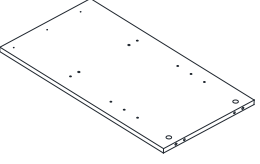
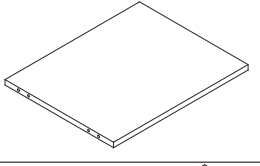
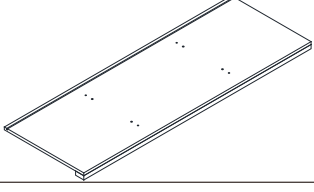

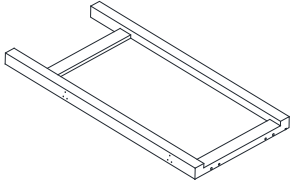
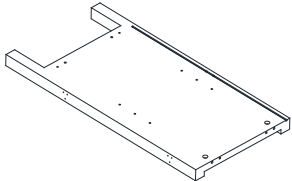
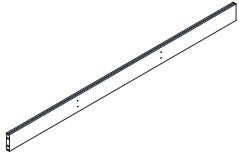
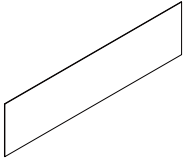


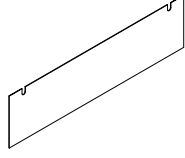
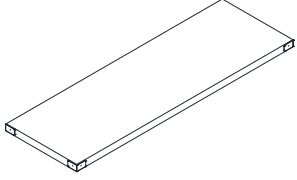
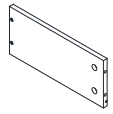
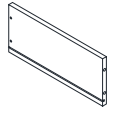
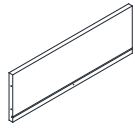
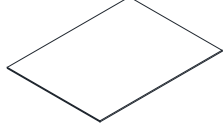
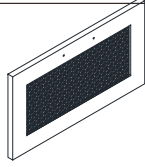
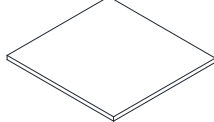
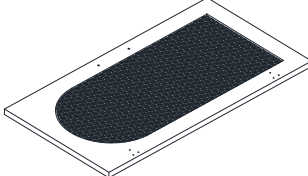


### Screws & Tools

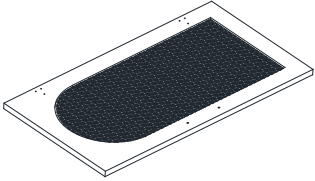

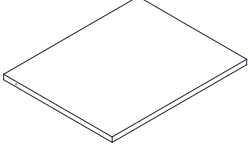
A	 Ø6x35mm	x25	I	 Ø3x14mm	x12	Q		x4
B	 Ø15x9.5mm	x25	J		x2	R	 Ø3.5x12mm	x24
C	 Ø6x30mm	x20	K	 Ø4x18mm	x2	S		x12
D	 Ø4x35mm	x15	L		x1			
E	 Ø4x14mm	x6	M		x2	CL	 300mm	x1
F		x3	N	 Ø3x14mm	x4	CR	 300mm	x1
G	 Ø3x12mm	x14	O		x2	DL	 300mm	x1
H	 Ø4x14mm	x4	P		x2	DR	 300mm	x1

# Componets

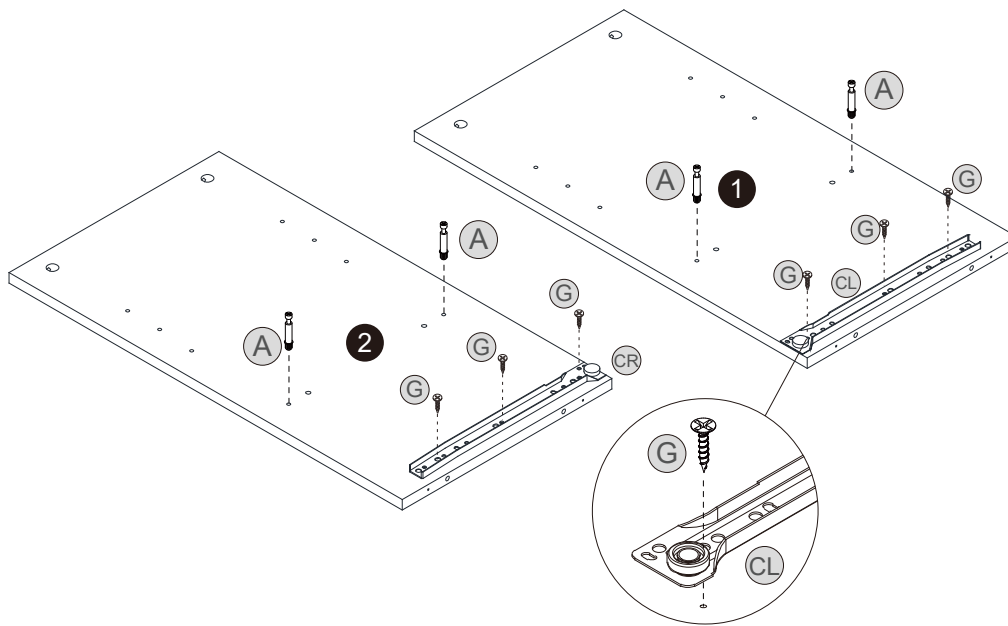
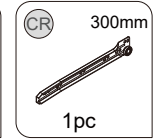
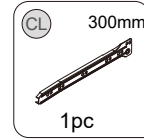
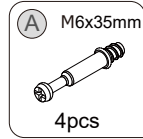
1		x1
2		x1
3		x1
4		x1
5		x2
6		x1
7		x1
8		x1
9		x1

10		x1
11		x1
12		x1
13		x1
14		x1
15		x1
16		x1
17		x2
18		x1

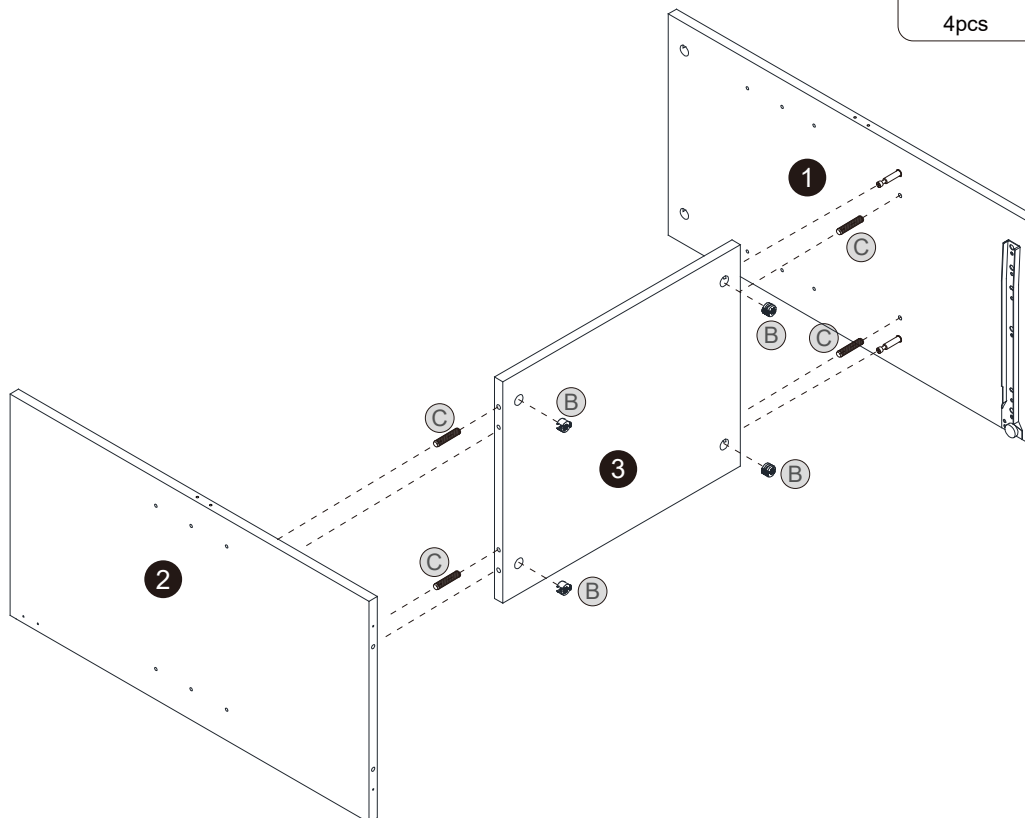
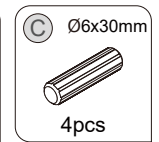
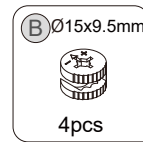
## Componets

19		x1
20		x1
21		x1

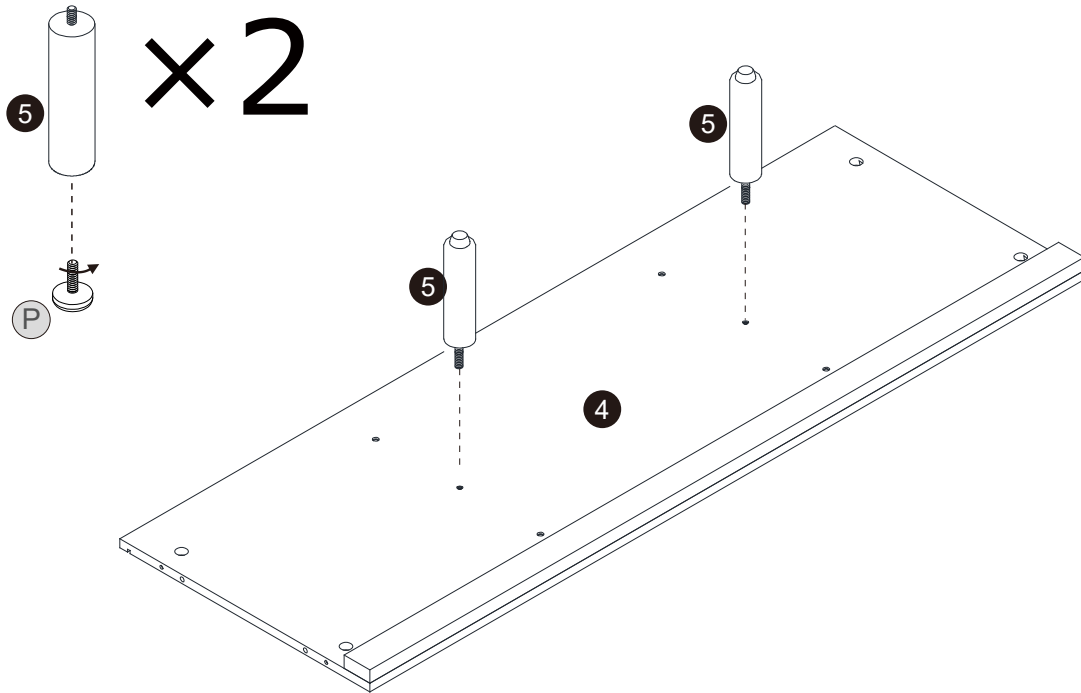
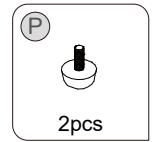
# Step 1



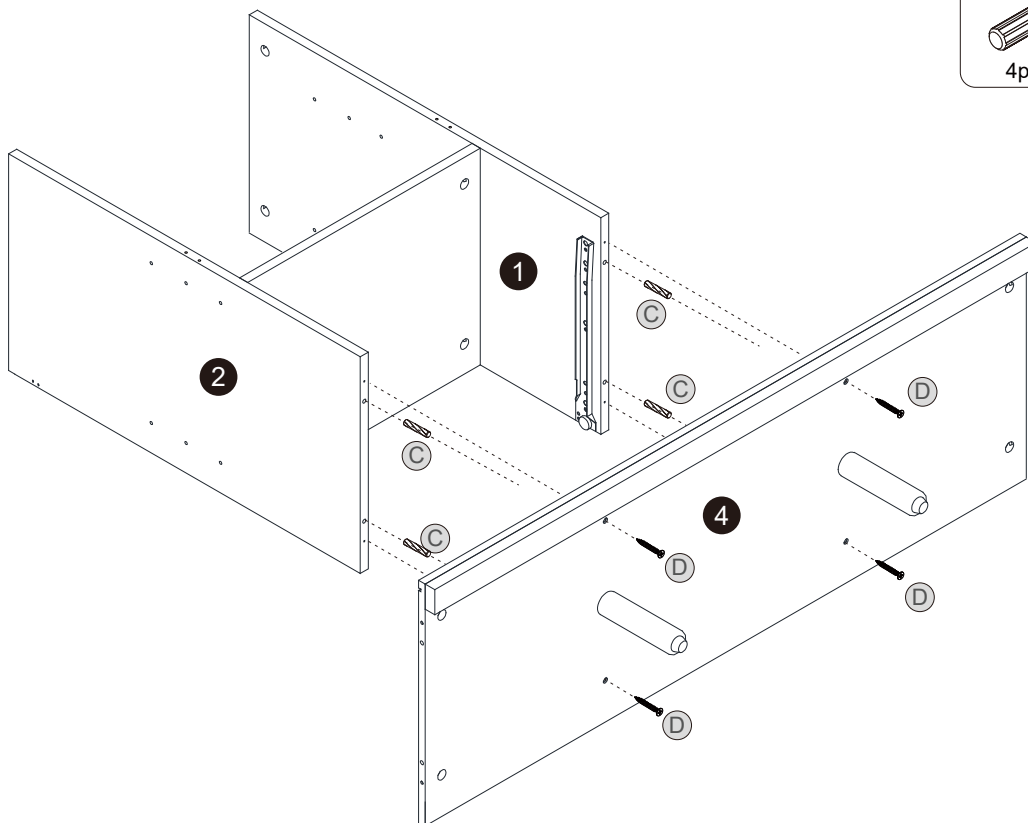
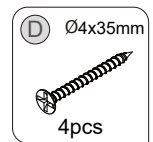
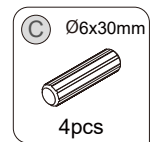
# Step 2



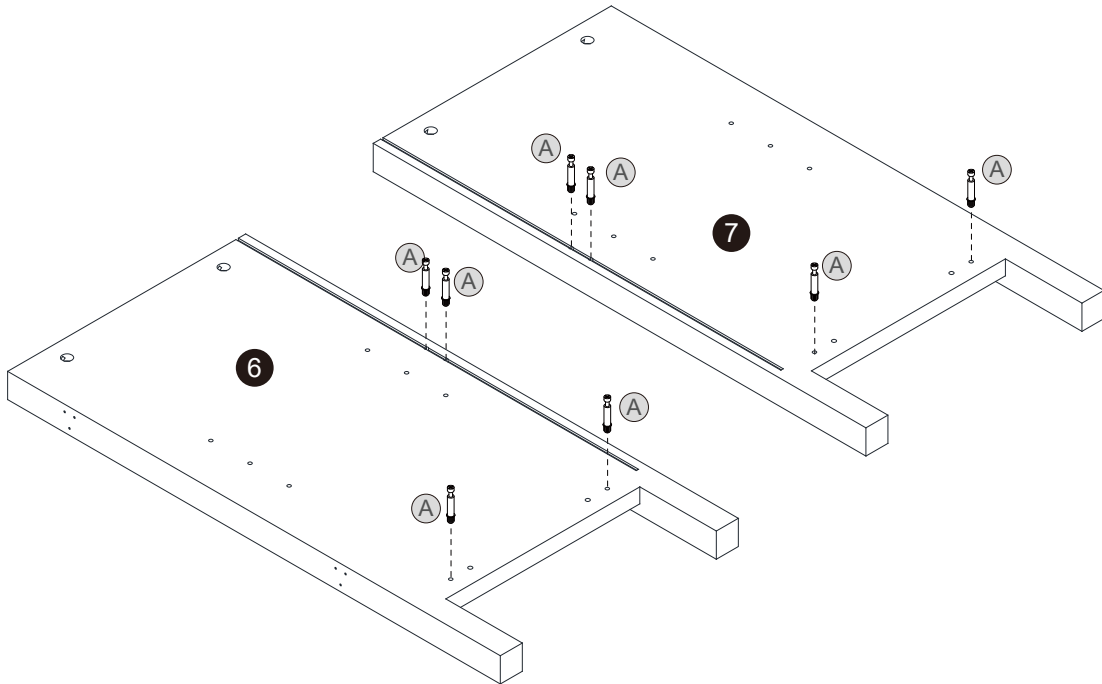
### Step 3



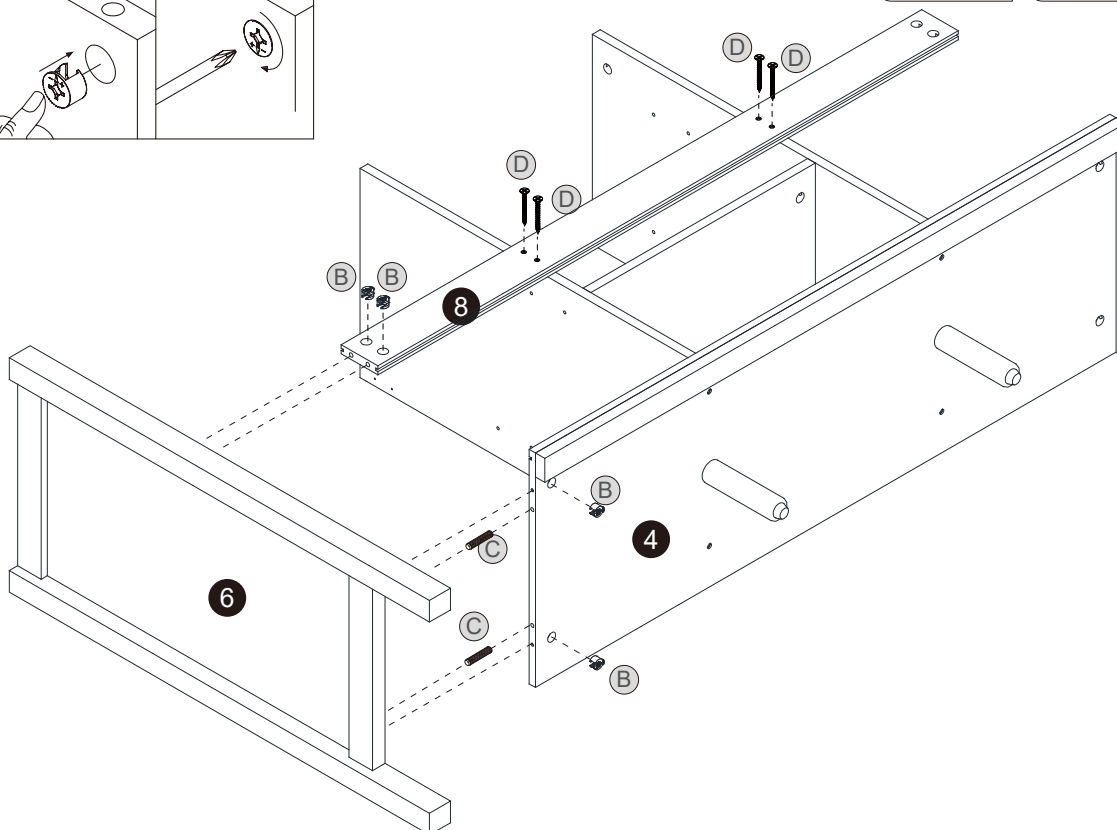
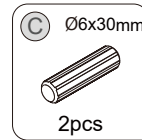
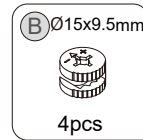
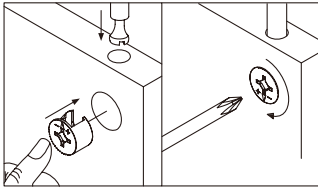
### Step 4



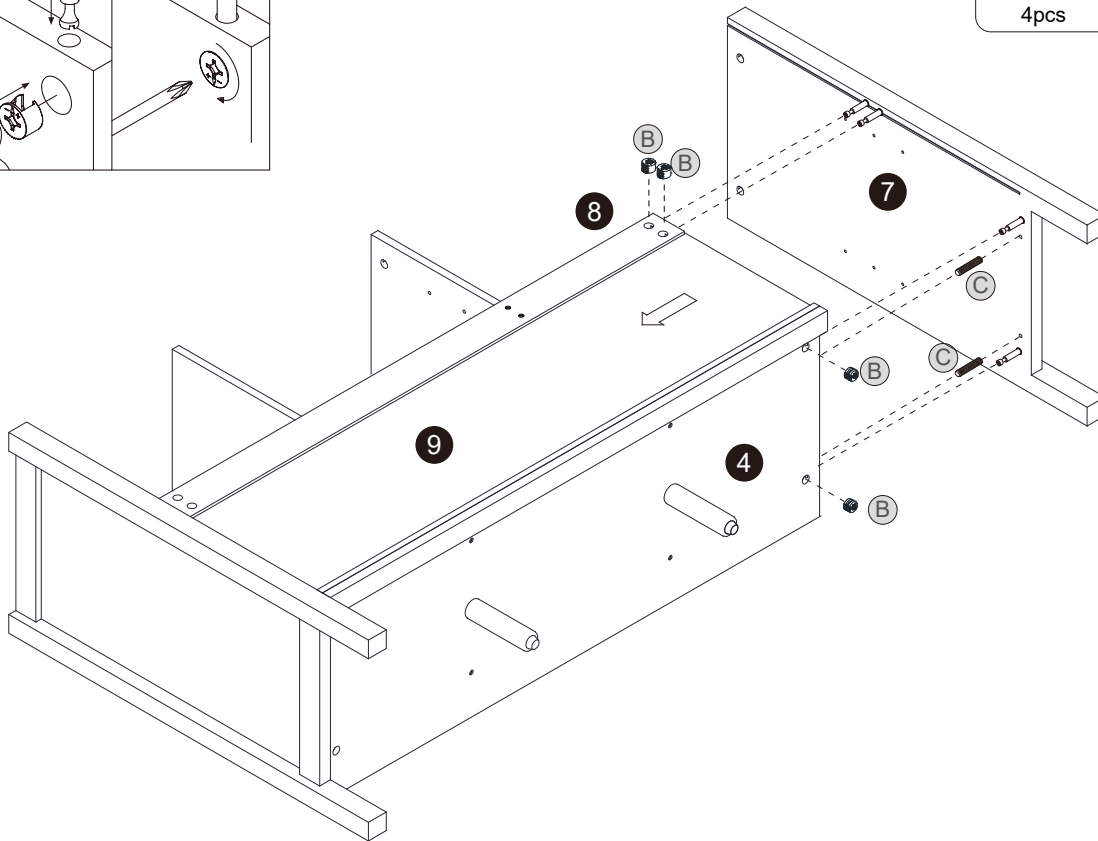
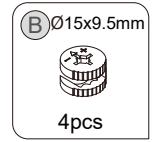
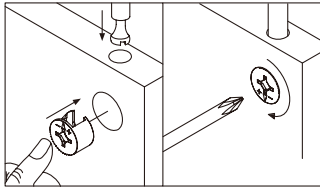
## Step 5



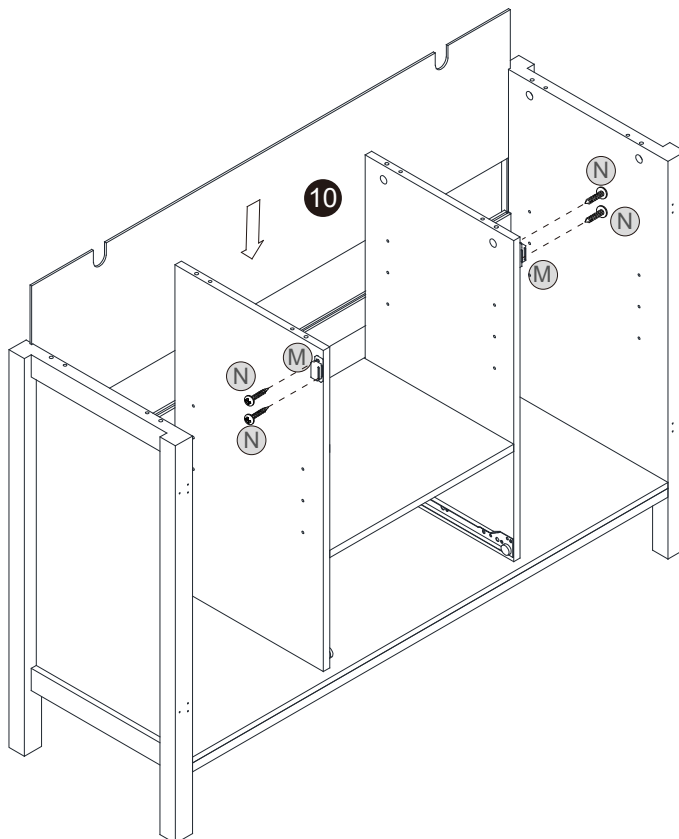
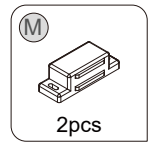
## Step 6



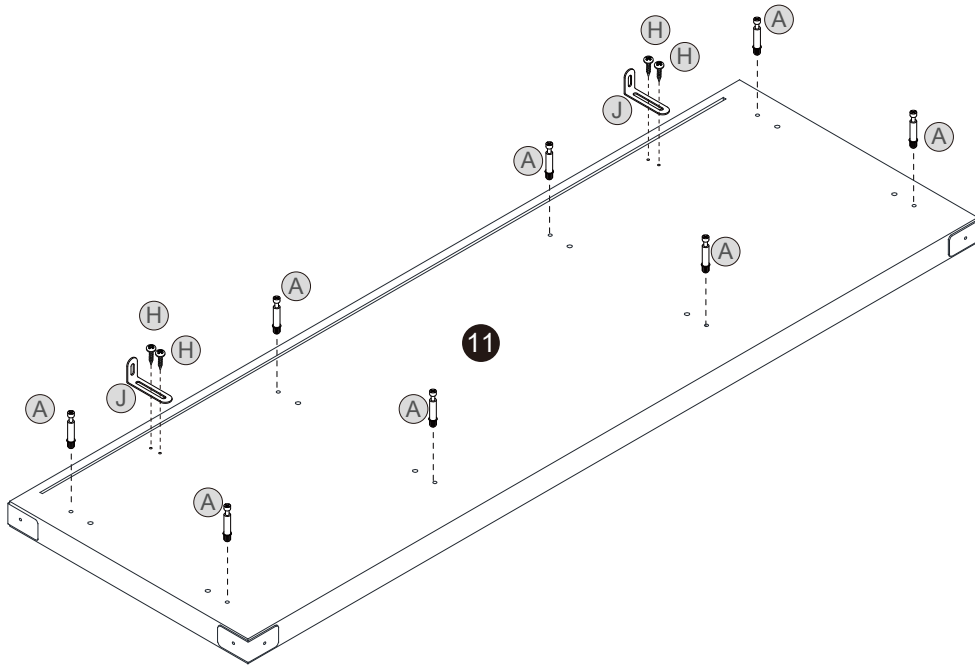
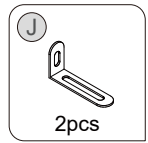
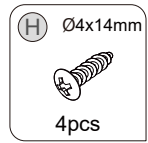
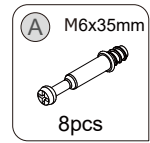
## Step 7



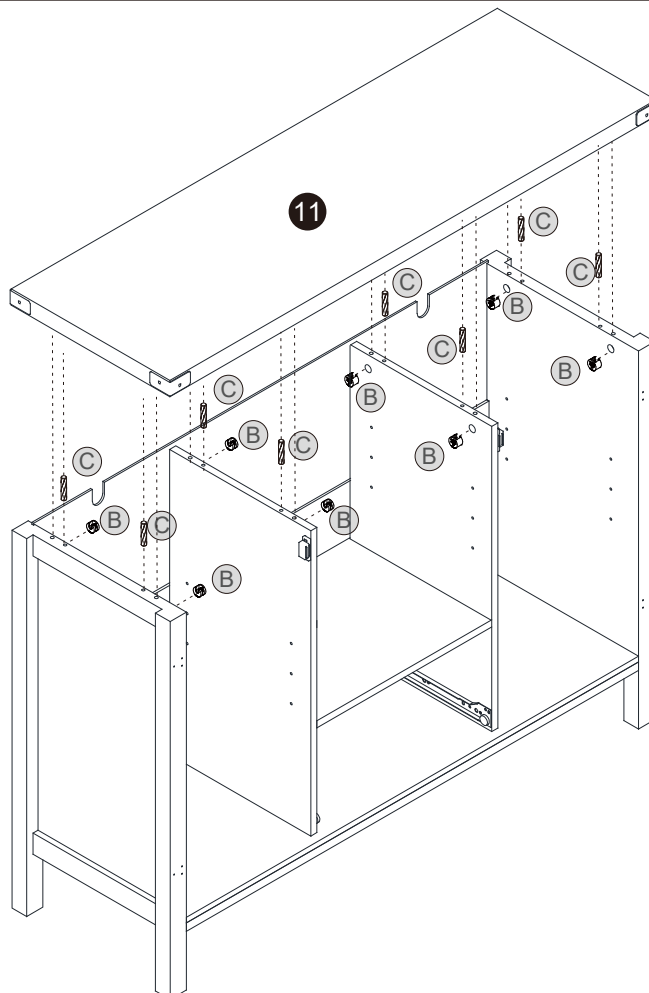
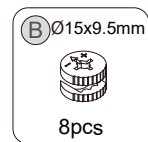
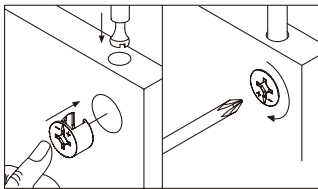
## Step 8



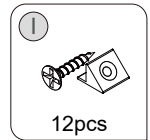
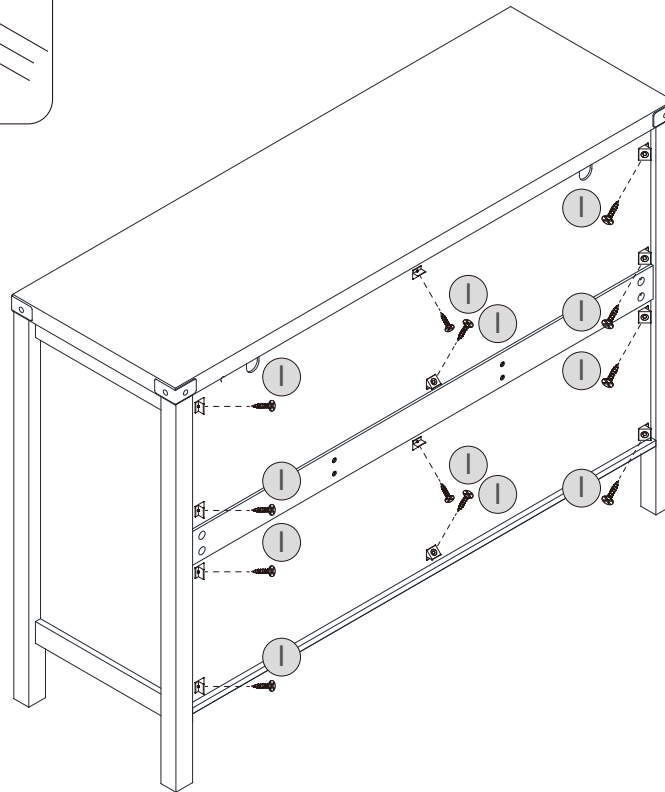
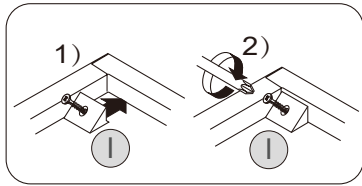
## Step 9



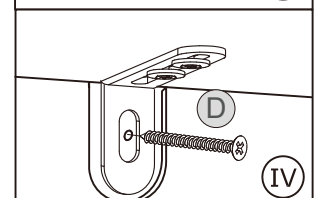
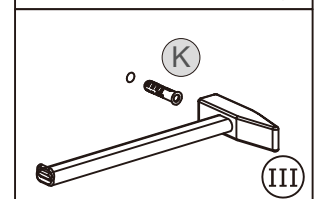
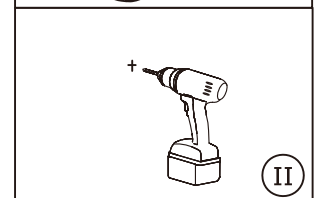
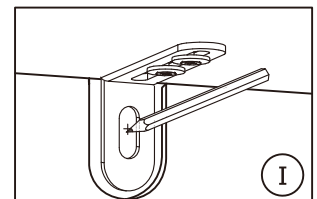
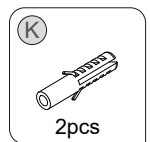
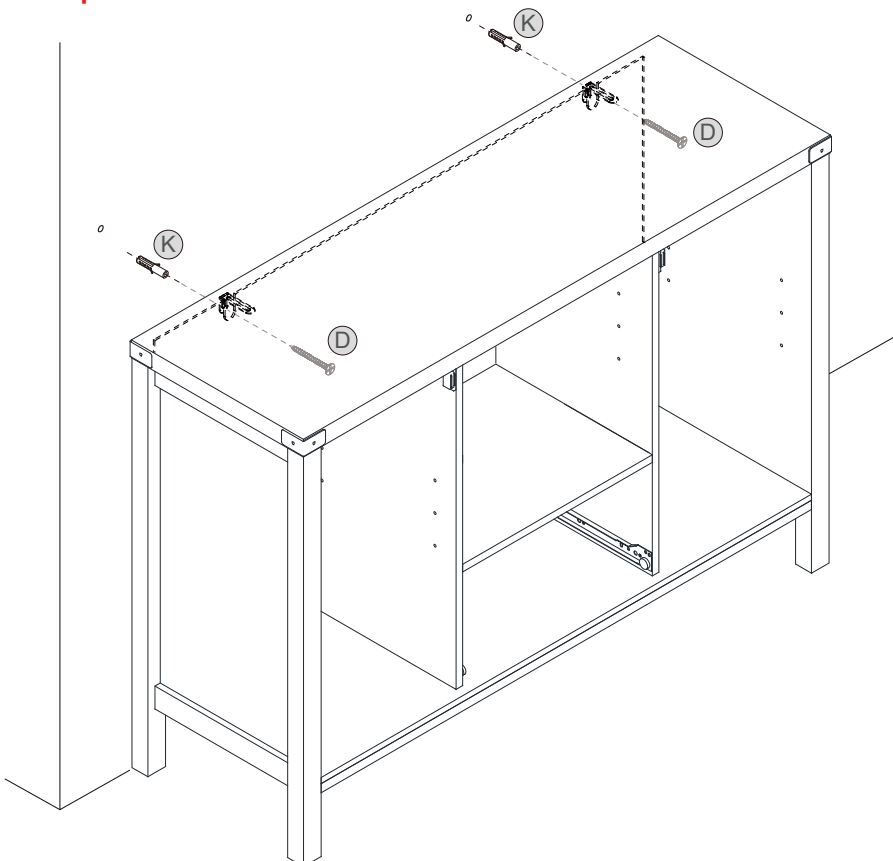
## Step 10



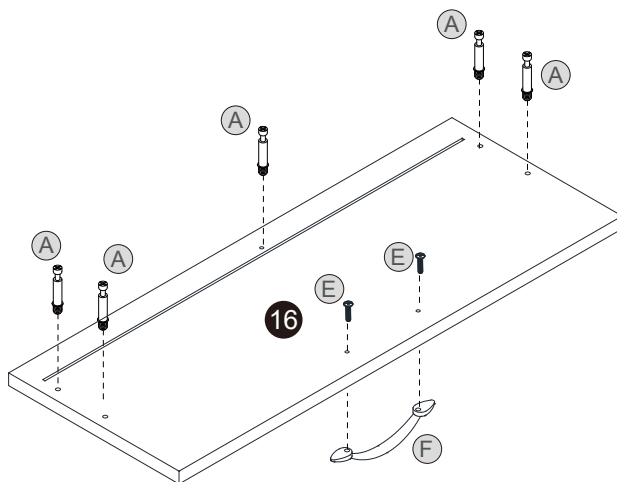
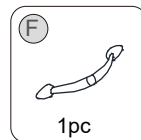
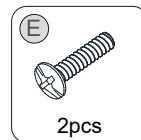
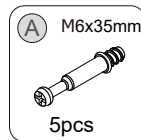
## Step 11



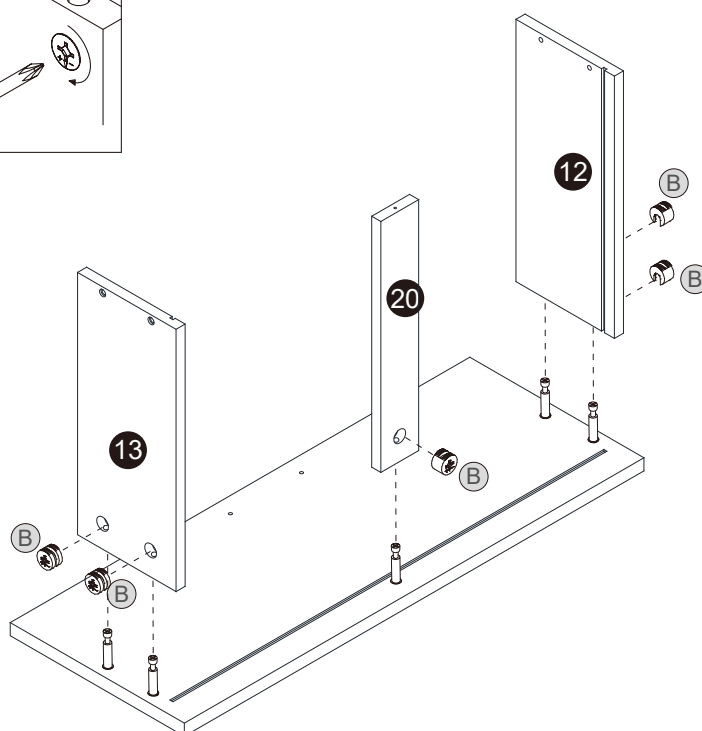
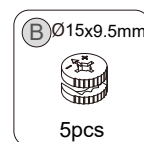
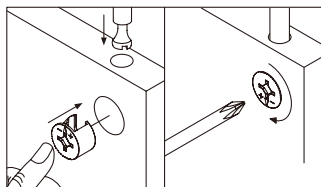
## Step 12



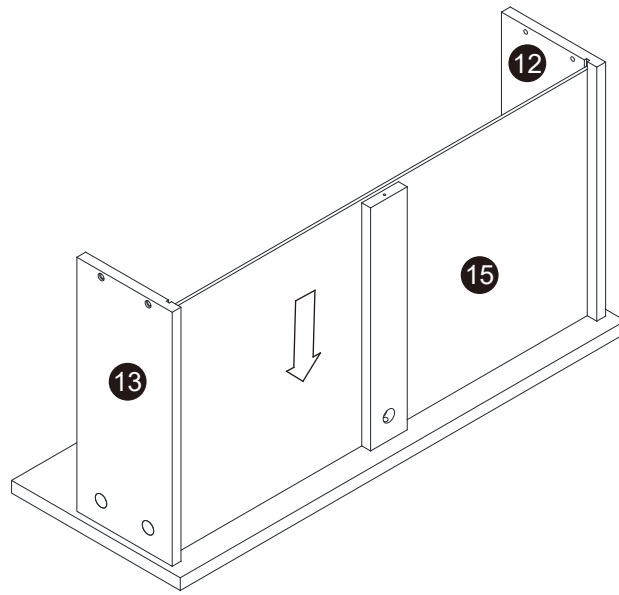
# Step 13



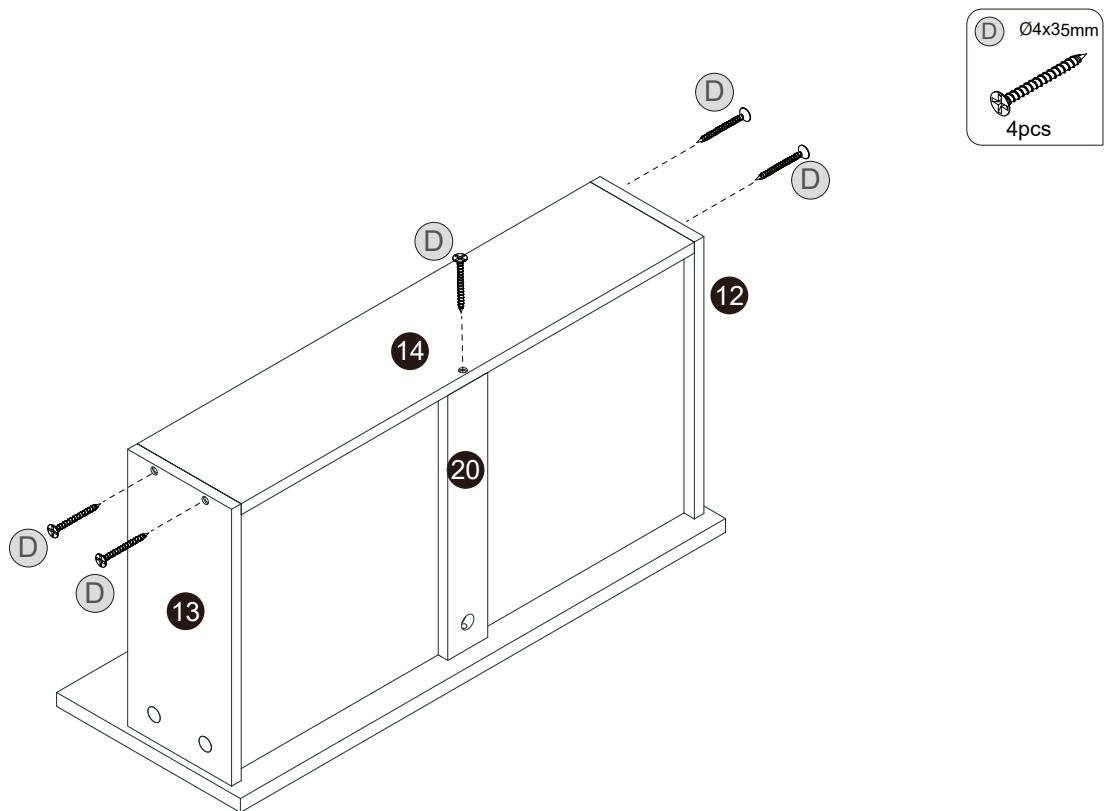
# Step 14



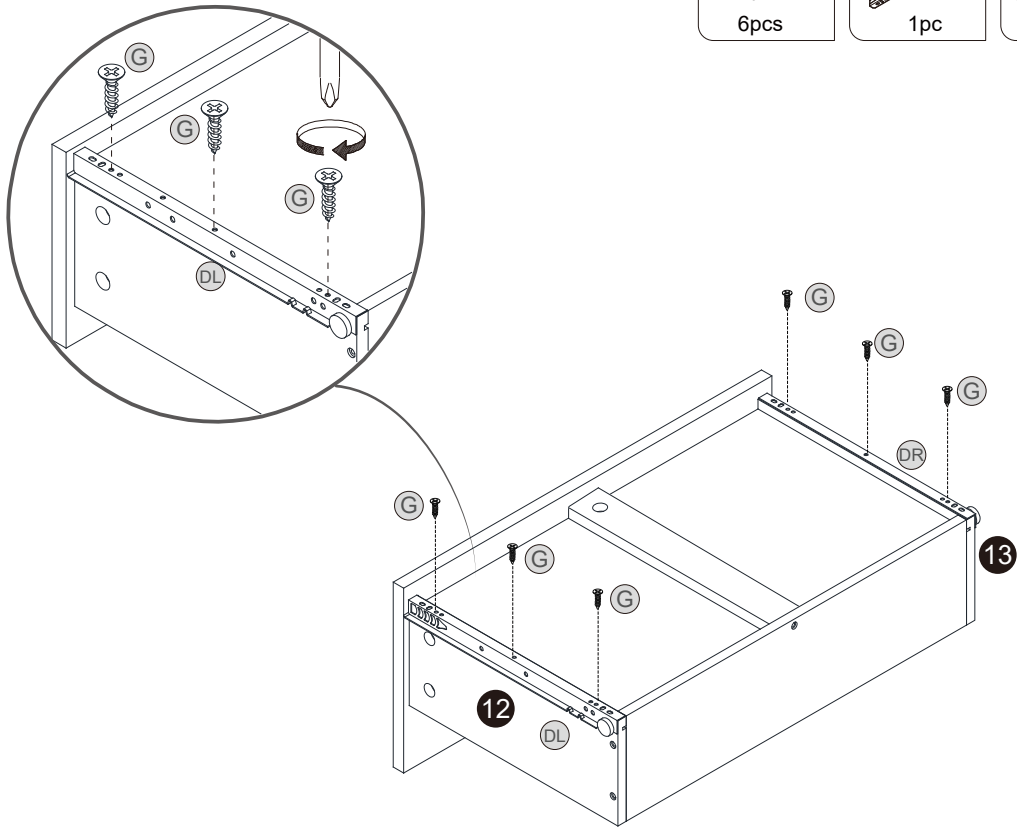
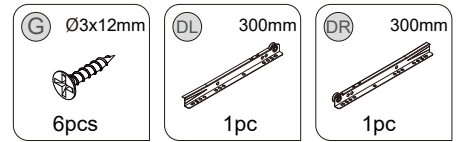
## Step 15



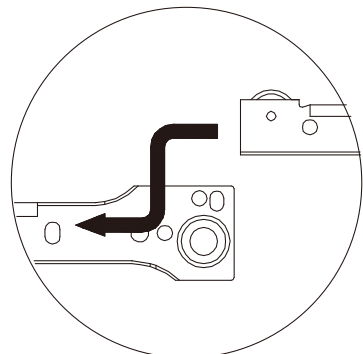
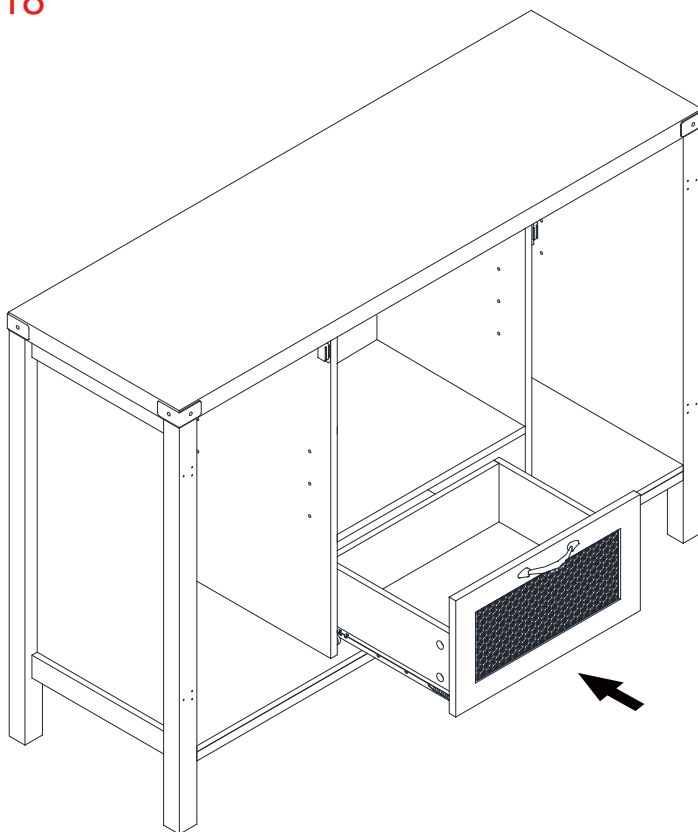
## Step 16



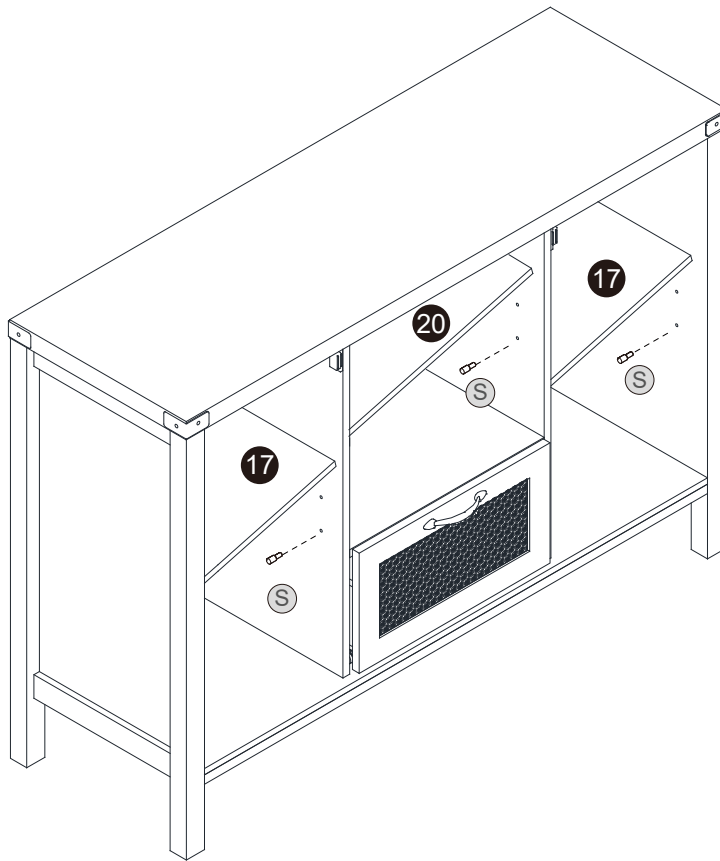
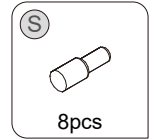
## Step 17



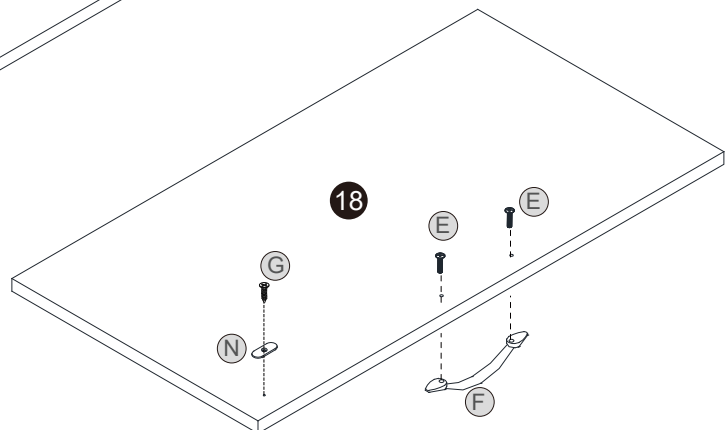
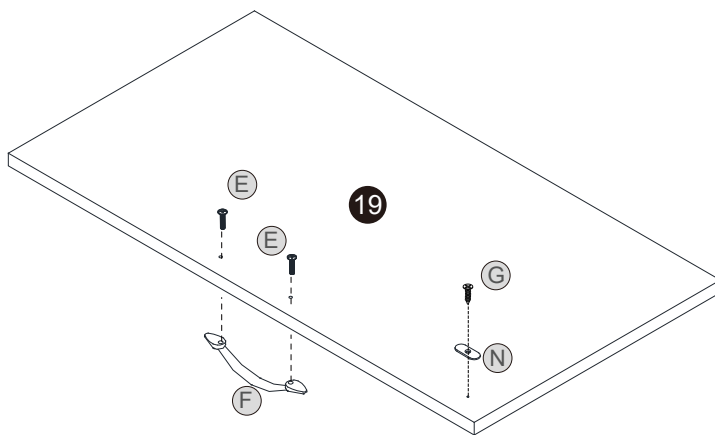
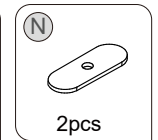
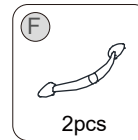
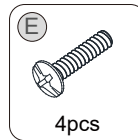
## Step 18



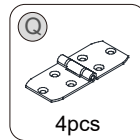
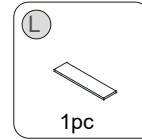
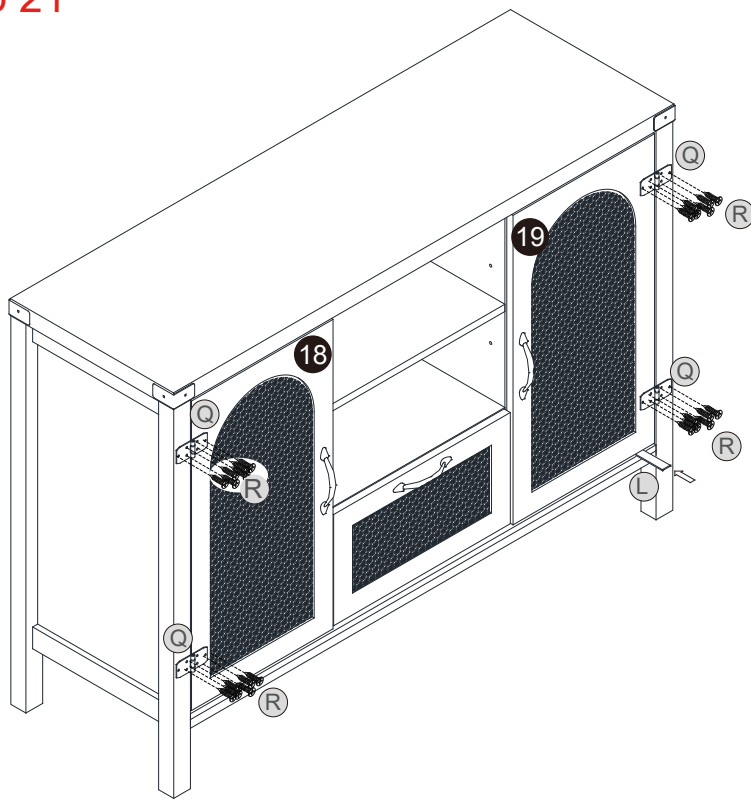
# Step 19



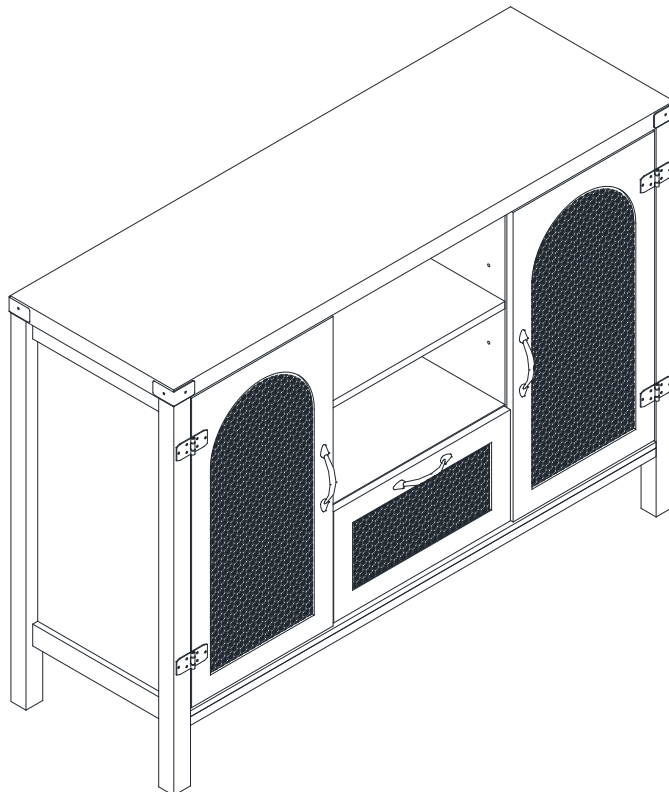
# Step 20



## Step 21



## Step 22



## IMPORTANT SAFETY INFORMATION

Please carefully read the instructions and caution warnings below before assembling the product. Following this guide will ensure that you install, use and maintain the product properly.

- Please keep this installation and user manual/instructions for future reference in case you need to assemble the product.
- Do not assemble if you notice serious damage such as cracks or bends.
- During installation, please use work gloves for hand safety.
- Please assemble the unit on carpeted floor or the flat cardboard box to avoid scratching the surface or your floor while assembling on the floor.
- To assemble, please use the complimentary installation tools (Allen Wrench). Pay more attention to the direction of components at each steps.
- It is recommended that two people work together to assemble the product.
- Please do not tighten the screws up too much, just to 80% before you finish to make the installation go on successfully.

## HOW TO MAINTAIN YOUR PRODUCT:

- Check the screws of the product are not loose from regular use.
- Do not use sharp instruments, rubbing alcohol, corrosive chemicals, or abrasive cleaners to clean the product.
- Do not keep the product in a damp environment for a long period of time. The damp environment may cause the iron components to rust and the plates to bulge and crack.