





ASSEMBLY INSTRUCTIONS.



THANK YOU FOR YOUR PURCHASE!

PARTS AND HARDWARE.

① SEAT	② FOOTREST
	
③ SCREW	④ WRENCH
 6*16MM=4	 M6=1

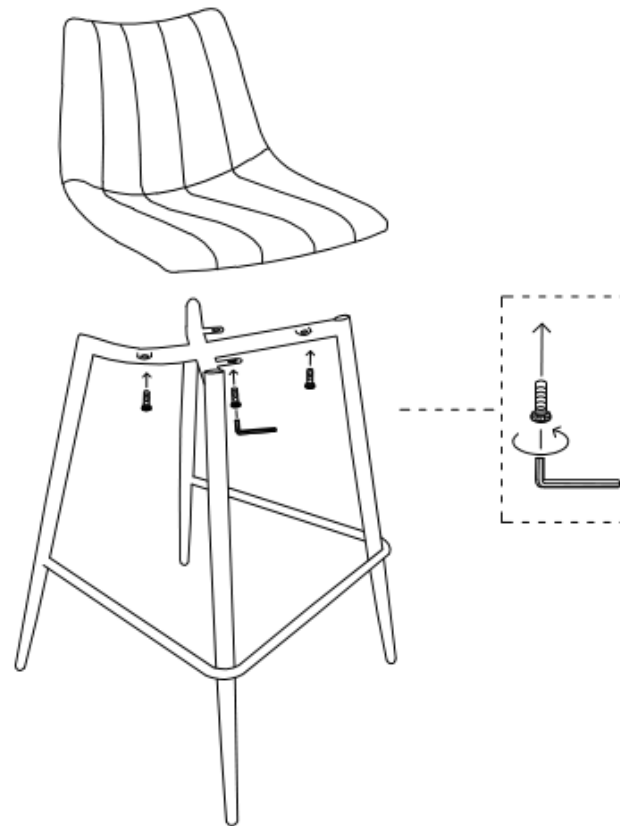
NOTES.

Thank you for purchasing this quality product! Be sure to check all packing material carefully for small part that may have come loose inside the carton during shipping

CAUTION:

This item is heavy, assembly should be performed by two people.

STEP 1.



STEP 2.

