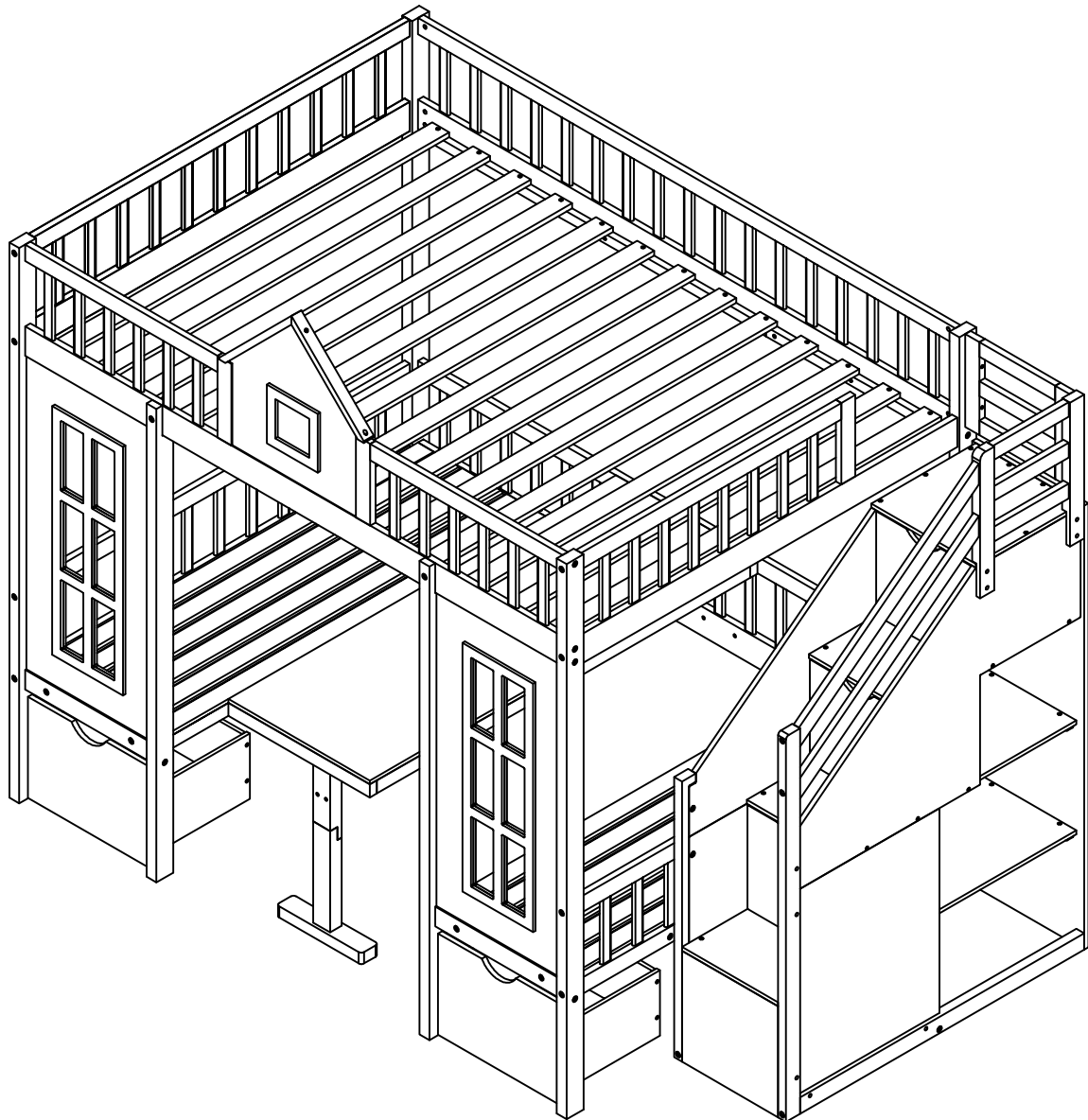


ASSEMBLY INSTRUCTIONS





SAFETY WARNING



1. This bed is designed for use only mattress (es) meeting the following specifications on the upper bunk, and lower bunk:

Upper bunk (bunk bed and tribed included)

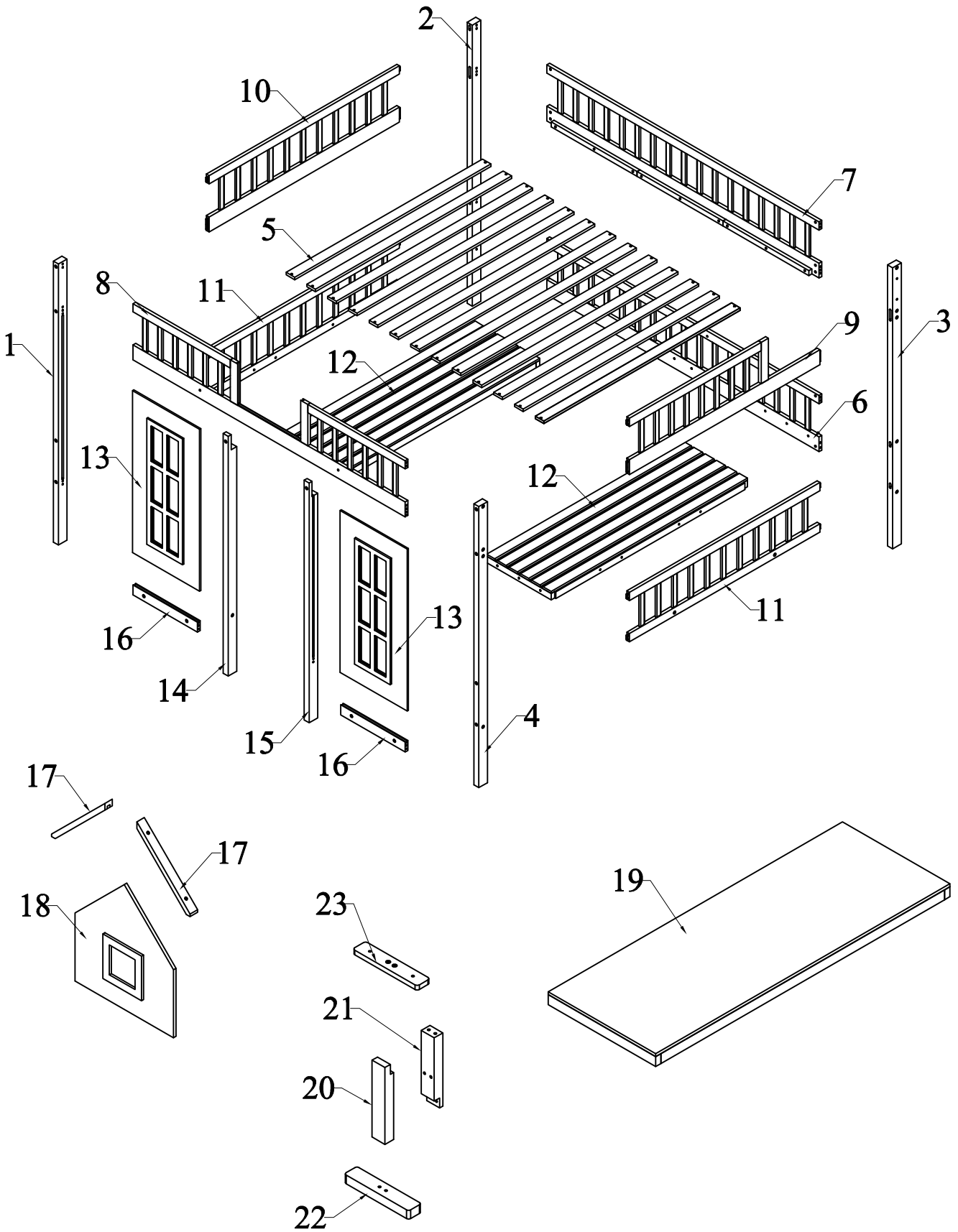
Bed type	Length	With	Thickness
Full Standard	74" – 75"	53" - 54"	6" max

Lower bunk

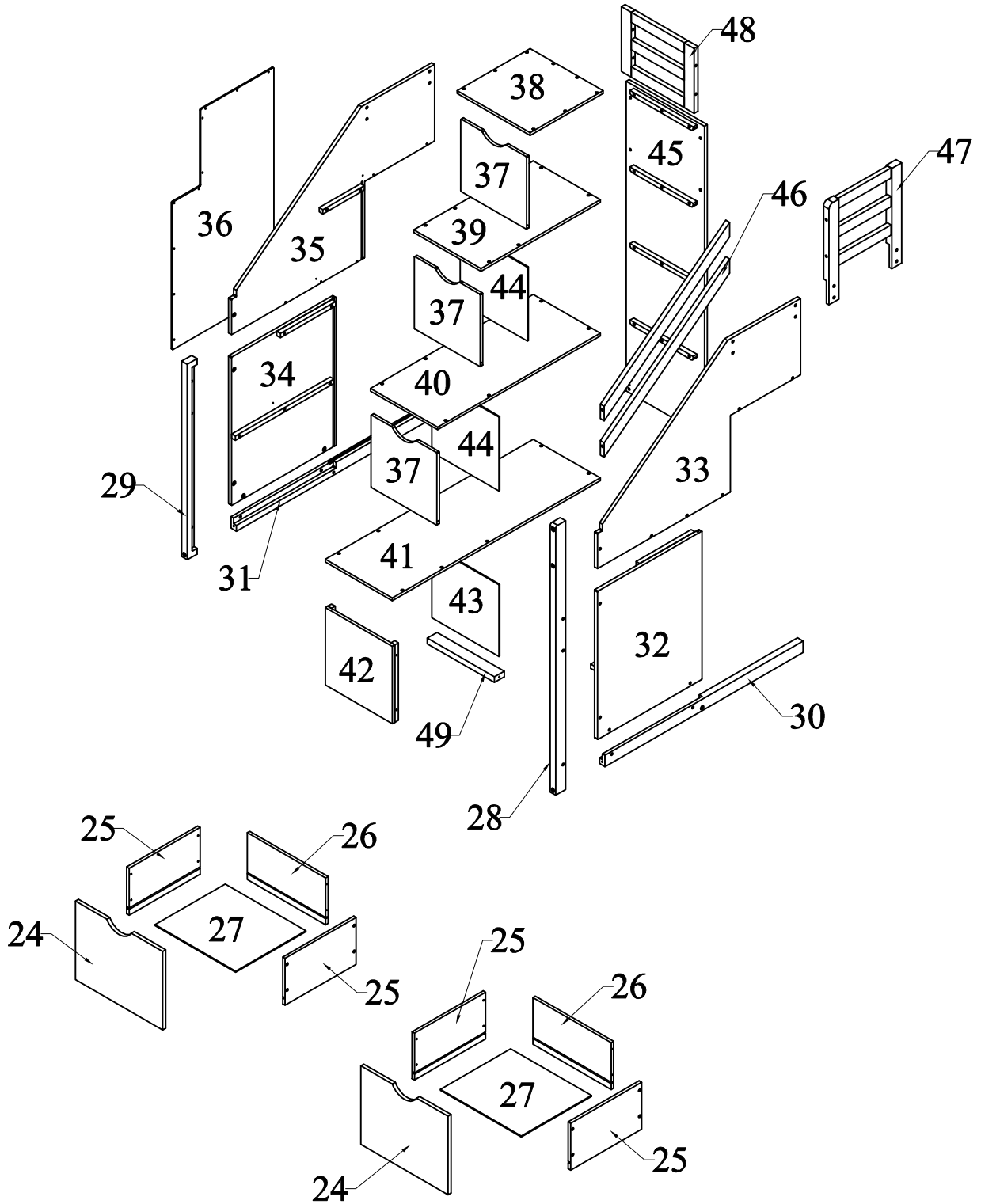
Bed type	Length	With	Thickness
Full Standard	74" – 75"	53" - 54"	6" max

2. Replacement parts, including additional guardrails, maybe obtained from any of our dealers.
3. Follow the information on the warnings appearing on the upper bunk bed end structure and on the carton.
Do not remove warning label from bed.
4. Always use the recommended size mattresses or mattress supports, or both, to help prevent the likelihood of entrapment or falls.
5. Surface of mattress must be at least 5" (127mm) below the upper edge of guardrails.
6. Do not allow children under 6 years of age to use the upper bunk.
7. Periodically check and ensure that the guardrail, ladder, and other components are in their proper position, free from damage, and that all connectors are tight.
8. Do not allow horseplay on or under the bed and prohibit jumping on the bed.
9. Always use the ladder for entering and leaving the upper bunk.
10. Do not use substitute part. Contact the manufacture or dealer for replacement part.
11. Use of a night light may provide added safety precaution for a child using the upper bunk.
12. Always use guardrails on both long sides of the upper bunk. If the bunk bed will be placed next to the wall, the guardrail that runs the full length of the bed should be placed against the wall to prevent entrapment between the bed and wall.
13. The use of water or sleep flotation mattresses is prohibited.
14. STRANGULATION HAZARD - Never attach or hang items to any part of the bunk bed that are not designed for use with the bed; for example, but not limited to, hook, belts and jump ropes.
15. Keep these instruction for future reference.
16. Prohibit more than one person on upper bunk.
17. We recommend assembling your bunk bed on the shipping carton to protect your floor or carpet.
18. Be certain all staples are out of the box before beginning assembly on the shipping carton.

DETAIL VIEW



DETAIL VIEW



BOX 1:

1



Front leg - left (1pc)

2



Back leg - left (1pc)

3



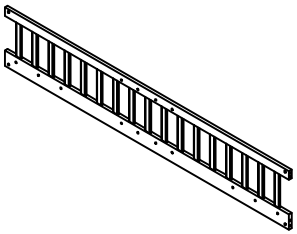
Back leg - right (1pc)

4



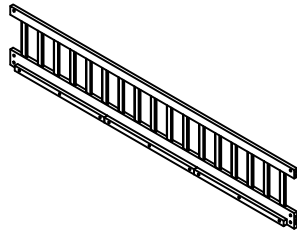
Front leg - right (1pc)

6



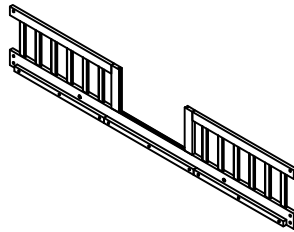
Back frame (1pc)

7



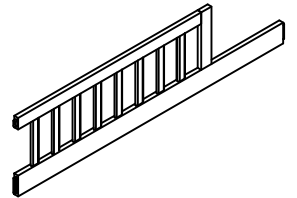
Side rail - back (1pc)

8



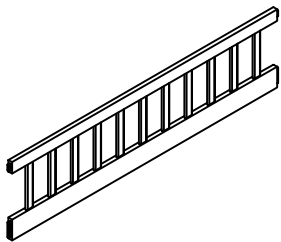
Side rail - front (1pc)

9



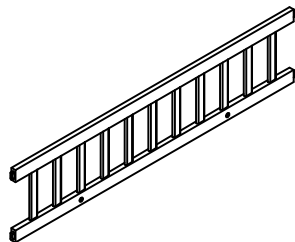
Horizontal frame - right (1pc)

10



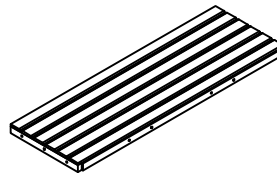
Horizontal frame - left (1pc)

11



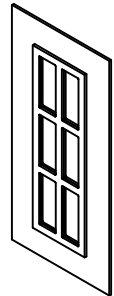
Horizontal frame - lower (2pcs)

12



Chair seat (2pcs)

13



Door panel (2pcs)

14



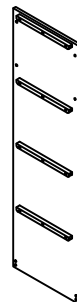
Vertical rail - left (1pc)

15



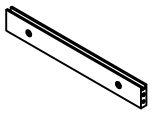
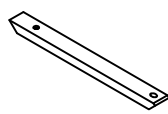

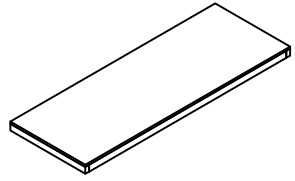


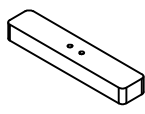
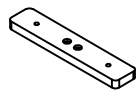
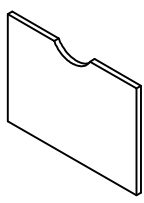
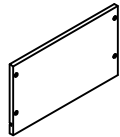
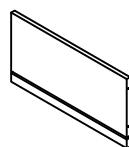
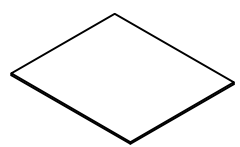


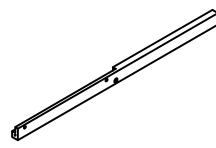
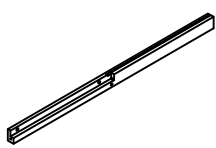
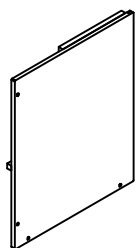
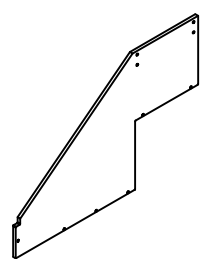
Vertical rail - right (1pc)

45



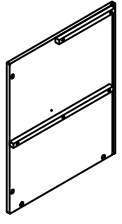
Back panel - shlef (1pc)

BOX 2:

<p>16</p>  <p>Front rail - bottom (2pcs)</p>	<p>17</p>  <p>Front rail - top (2pcs)</p>	<p>18</p>  <p>Front panel - top (1pc)</p>	<p>19</p>  <p>Table - top (1pc)</p>
<p>20</p>  <p>Table leg - lower (1pc)</p>	<p>21</p>  <p>Table leg - upper (1pc)</p>	<p>22</p>  <p>Support leg table - bottom (1pc)</p>	<p>23</p>  <p>Support leg table - top (1pc)</p>
<p>24</p>  <p>Front drawers (2pcs)</p>	<p>25</p>  <p>Side drawers (4pcs)</p>	<p>26</p>  <p>Back drawers (2pcs)</p>	<p>27</p>  <p>Bottom drawers (2pcs)</p>
<p>28</p>  <p>Vertical stairs - right (1pc)</p>	<p>29</p>  <p>Vertical stairs - left (1pc)</p>	<p>30</p>  <p>Bottom rail stairs - right (1pc)</p>	<p>31</p>  <p>Bottom rail stairs - left (1pc)</p>
<p>32</p>  <p>Right panel - lower (1pc)</p>	<p>33</p>  <p>Right panel - upper (1pc)</p>	<p>Page 06 Of 29</p>	

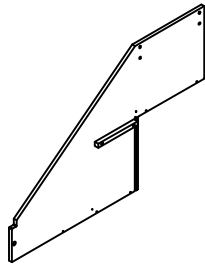
BOX 3:

34



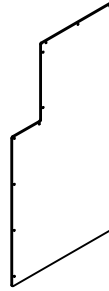
Left panel - lower (1pc)

35



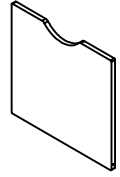
Left panel - upper (1pc)

36



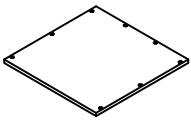
Back leg - right (1pc)

37



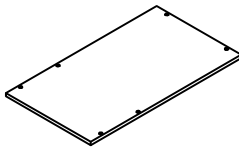
Door panel (2pcs)

38



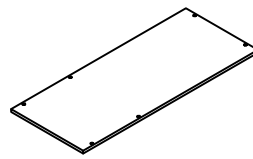
Surface stairs 1 (1pc)

39



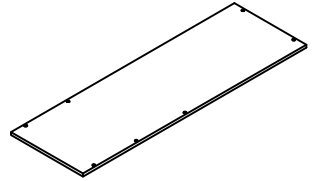
Surface stairs 2 (1pc)

40



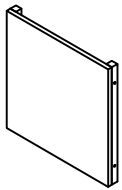
Surface stairs 3 (1pc)

41



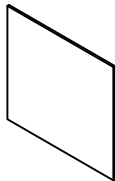
Surface stairs 4 (1pc)

42



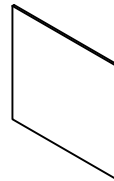
Front stairs panel (1pc)

43



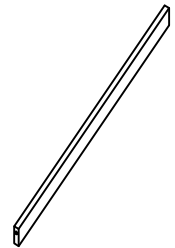
Partition panel - lower (1pc)

44



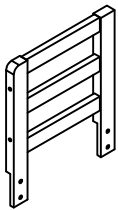
Partition panel - upper (2pcs)

46



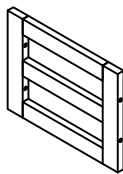
Stairs rail (2pcs)

47



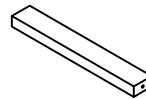
Side frame stairs (1pc)

48



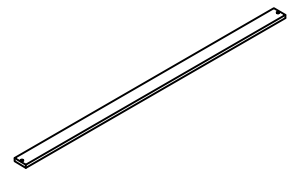
Back frame stairs (1pc)

49



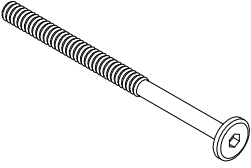
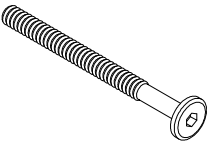
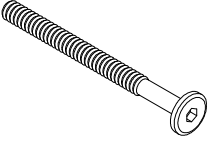
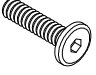
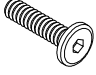
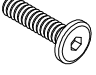


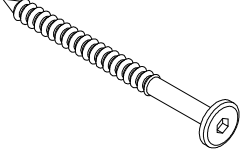
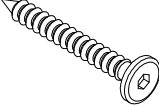
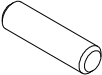
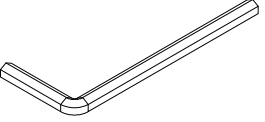
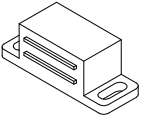
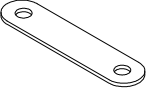
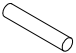
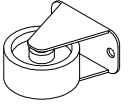
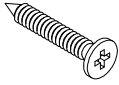
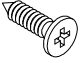

Support bar (1pc)

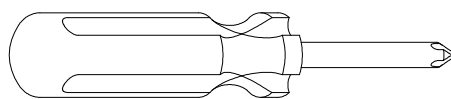
5



Slats (13pcs)

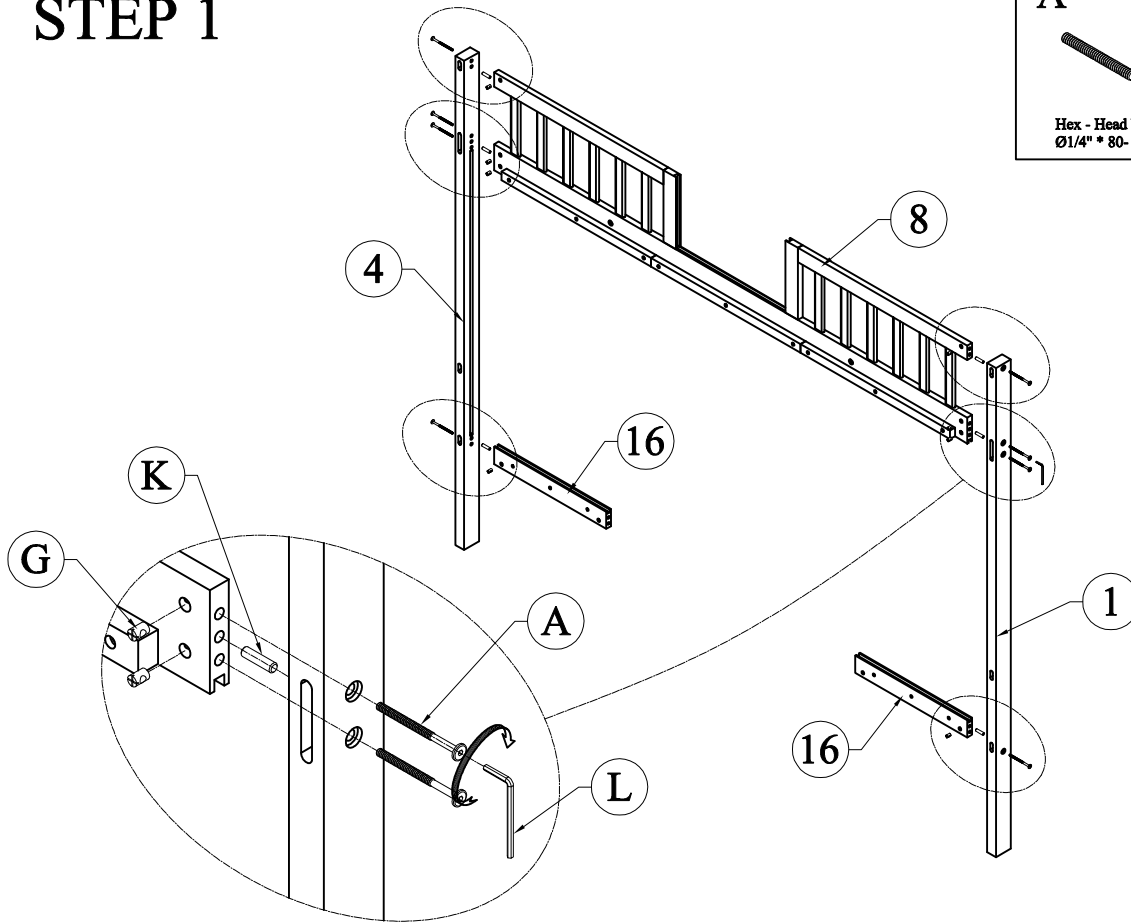
HARDWARE LIST:

<p>A</p>  <p>Hex - Head bolts Ø1/4" * 80- 20pcs</p>	<p>B</p>  <p>Hex - Head bolts Ø1/4" * 60- 8pcs</p>	<p>C</p>  <p>Hex - Head bolts Ø1/4" * 50 - 1pcs</p>	<p>D</p>  <p>Hex - Head bolts Ø1/4" * 40 - 17pcs</p>
<p>E</p>  <p>Hex - Head bolts Ø1/4" * 30 - 6pcs</p>	<p>F</p>  <p>Hex - Head bolts Ø1/4" * 20 - 14pcs</p>	<p>G</p>  <p>Horizontal - Hold bolts Ø1/4" - 20pcs</p>	<p>H</p>  <p>Canopy head though Ø1/4" - 17pcs</p>
<p>I</p>  <p>Hexagonal bolts catch wood Ø6 * 90 - 17pcs</p>	<p>J</p>  <p>Hexagonal bolts catch wood Ø6 * 50 - 8pcs</p>	<p>K</p>  <p>Wood dowel Ø8 * 30 - 30pcs</p>	<p>L</p>  <p>Allen key K4 - 2pcs</p>
<p>M</p>  <p>Magnet - 3pcs</p>	<p>N</p>  <p>Mending plate - 3pcs</p>	<p>O</p>  <p>Steel dowel Ø3 * 17 - 6pcs</p>	<p>P</p>  <p>Wheel 8pcs</p>
<p>Q</p>  <p>Wood crews M4 * 25 - 70pcs</p>	<p>R</p>  <p>Wood crews M3.5 * 12 - 6pcs</p>	<p>S</p>  <p>Round wood crews M3.5 * 15 - 32pcs</p>	



Assembly Tools Required (Not Included)

STEP 1

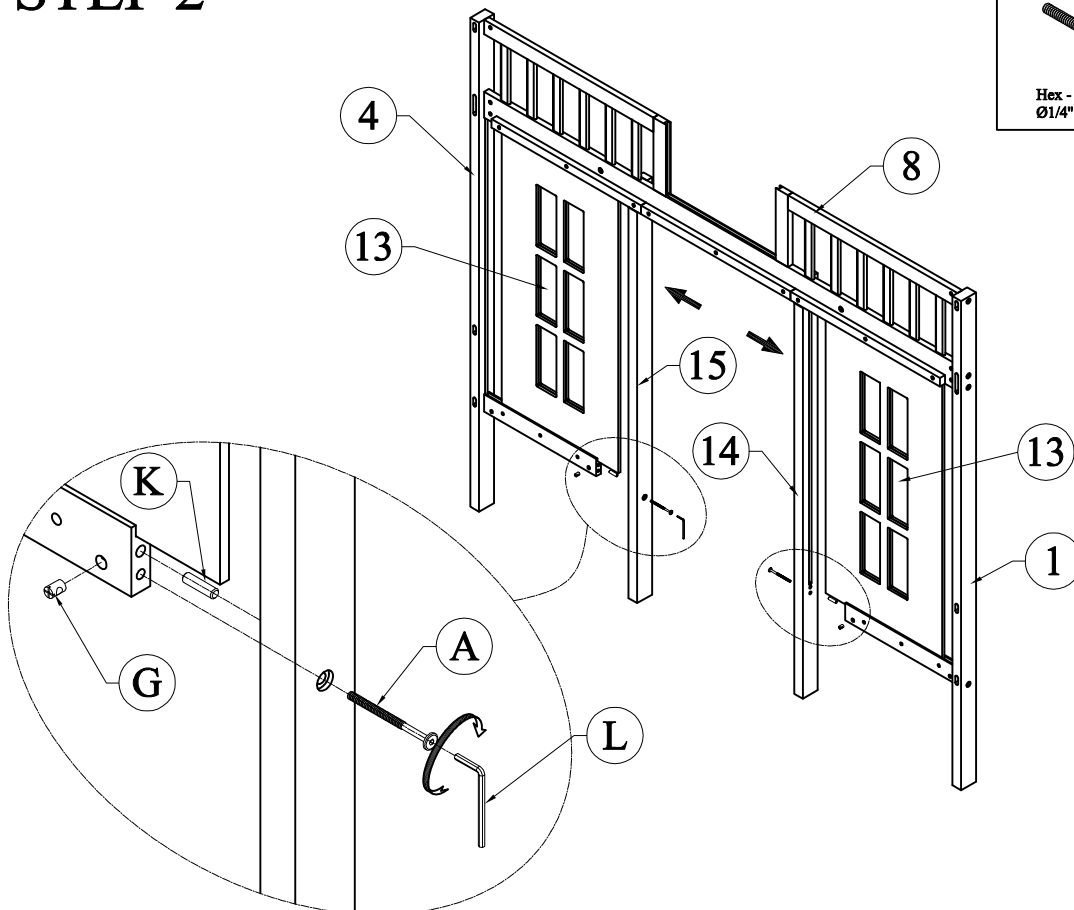


A
Hex - Head bolts
Ø1/4" * 80- 8pcs

G
Horizontal - Hold bolts
Ø1/4" - 8pcs

K
Wood dowel
Ø8 * 30 - 6pcs

STEP 2

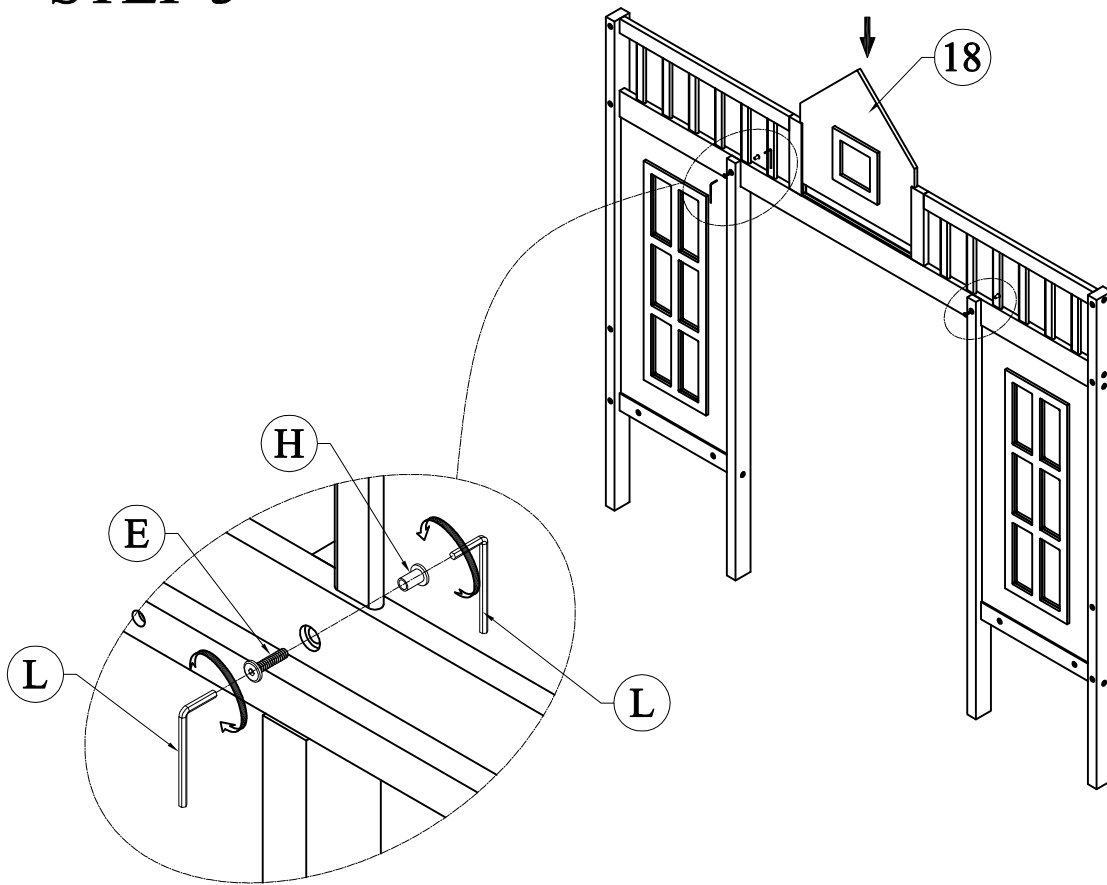


A
Hex - Head bolts
Ø1/4" * 80- 2pcs

G
Horizontal - Hold bolts
Ø1/4" - 2pcs

K
Wood dowel
Ø8 * 30 - 2pcs

STEP 3



E



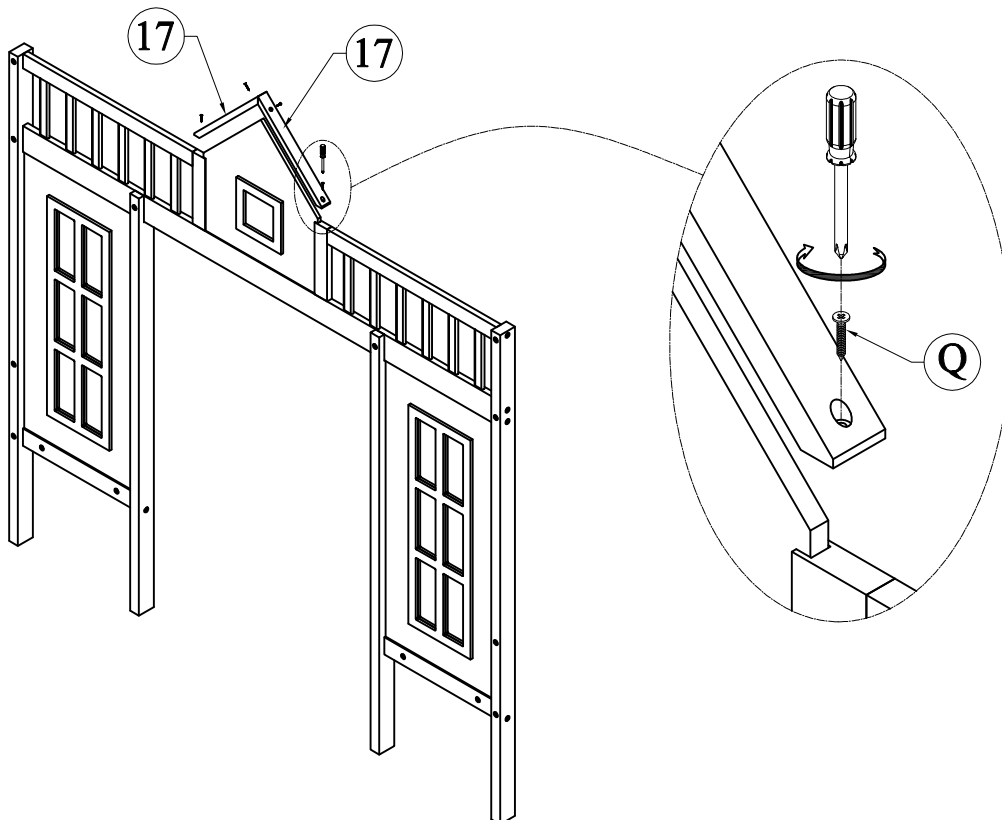
Hex - Head bolts
Ø1/4" * 30 - 2pcs

H



Canopy head through
Ø1/4" - 2pcs

STEP 4

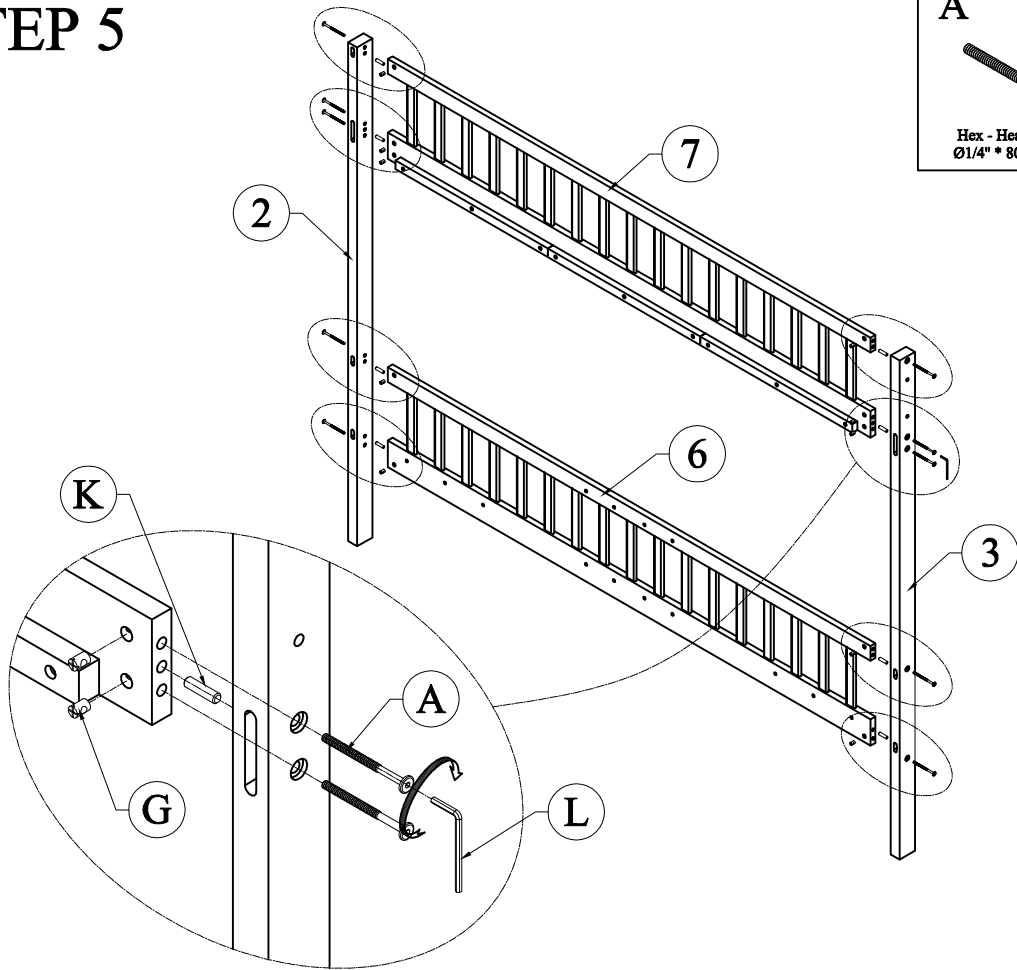



Q




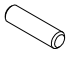
Wood crews
M4 * 25 - 4pcs

STEP 5



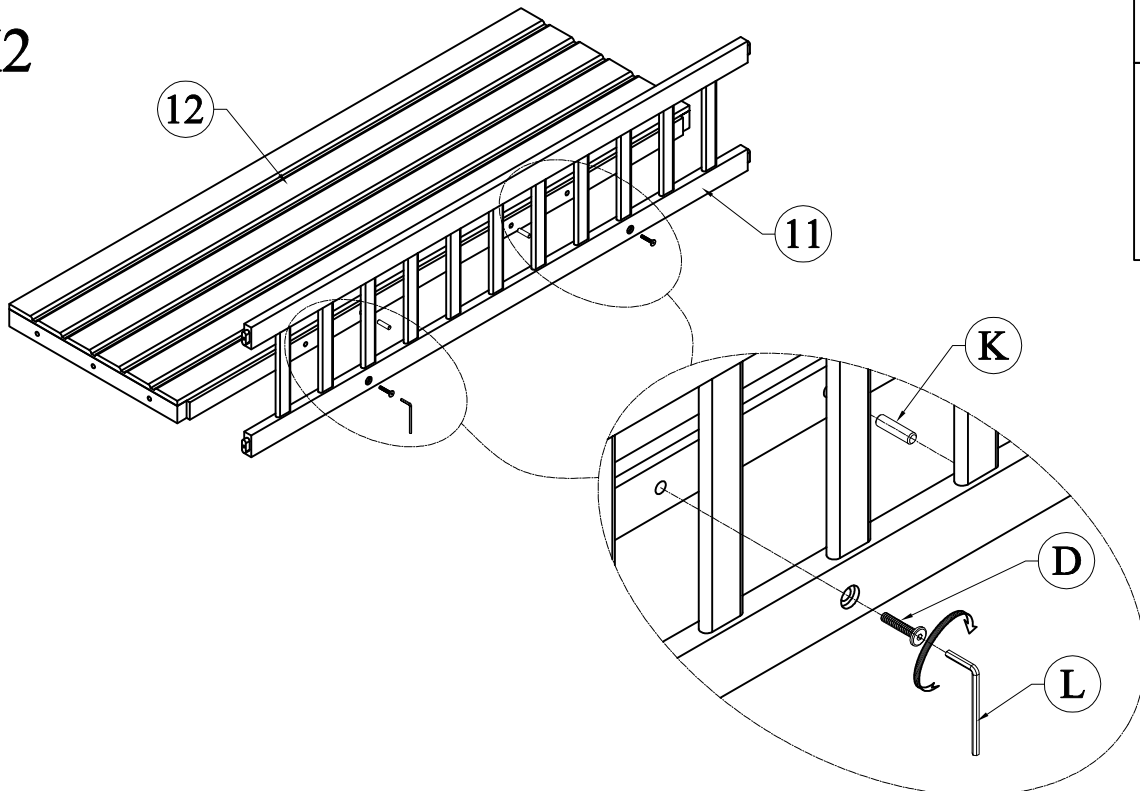
A

 Hex - Head bolts
 Ø1/4" * 80 - 10pcs


G

 Horizontal - Hold bolts
 Ø1/4" - 10pcs

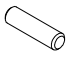
K

 Wood dowel
 Ø8 * 30 - 8pcs

STEP 6

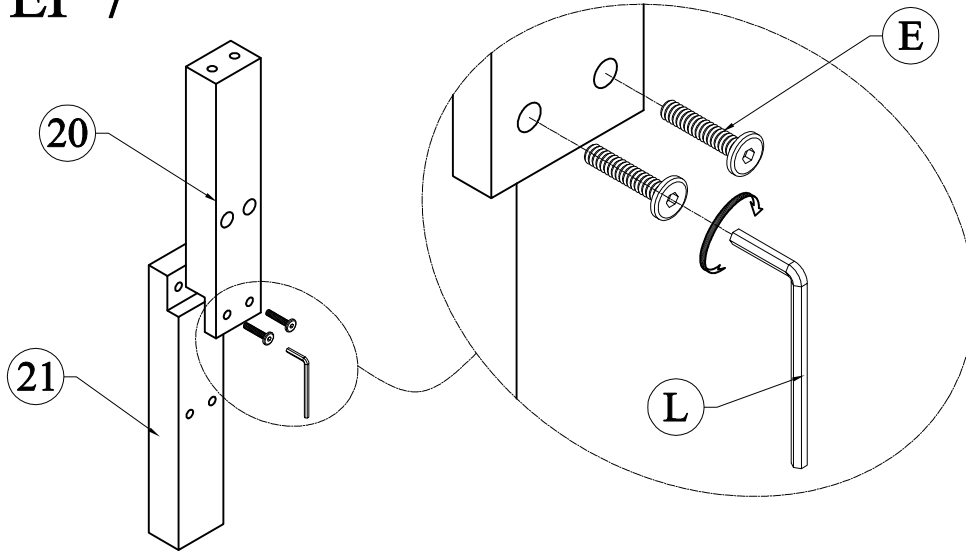
X2



D

 Hex - Head bolts
 Ø1/4" * 40 - 4pcs

K

 Wood dowel
 Ø8 * 30 - 4pcs

STEP 7

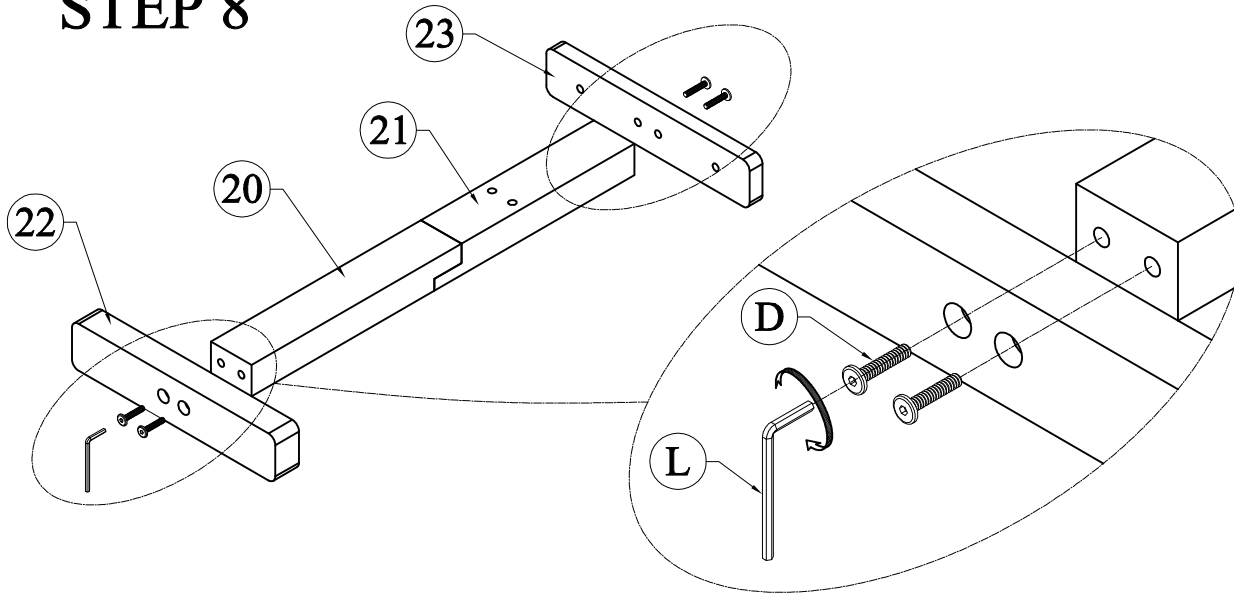


E



Hex - Head bolts
Ø1/4" * 30 - 2pcs

STEP 8

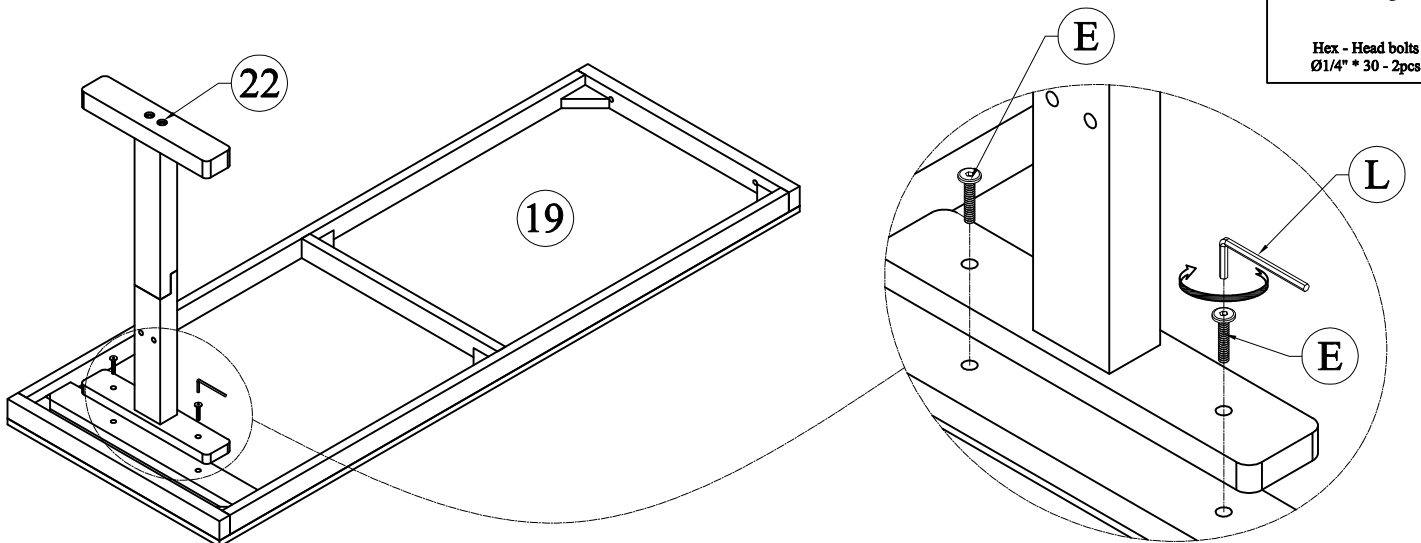


D



Hex - Head bolts
Ø1/4" * 40 - 4pcs

STEP 9



E



Hex - Head bolts
Ø1/4" * 30 - 2pcs

STEP 10

D



Hex - Head bolts
Ø1/4" * 40 - 8pcs

I

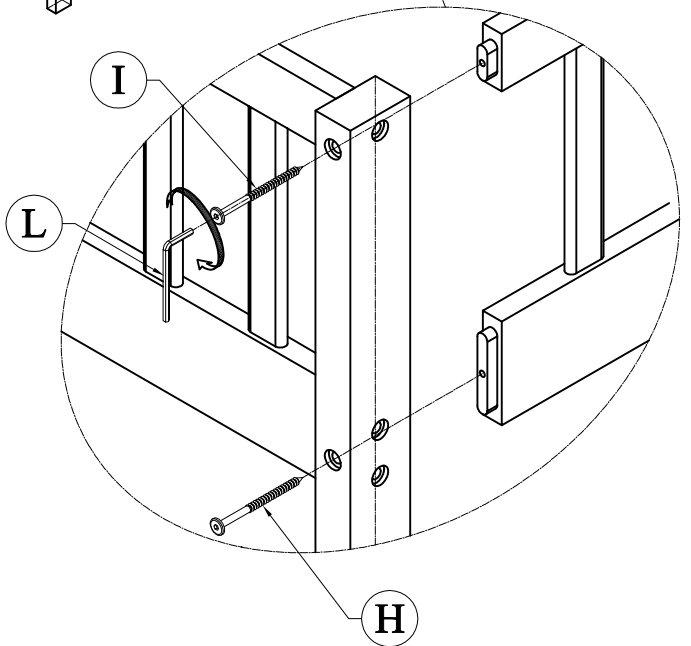
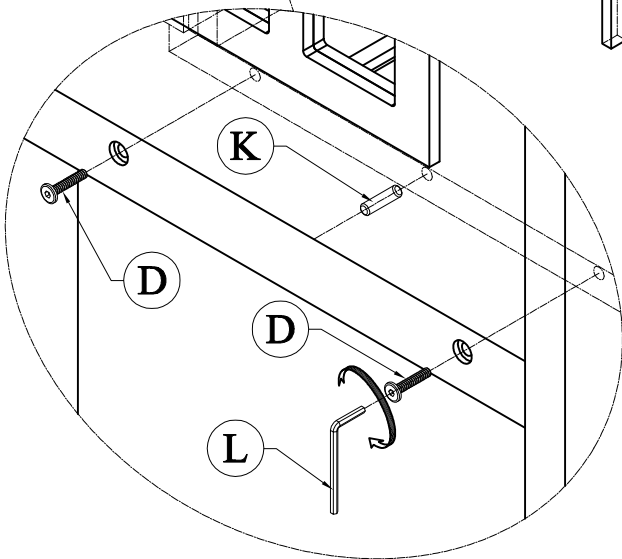
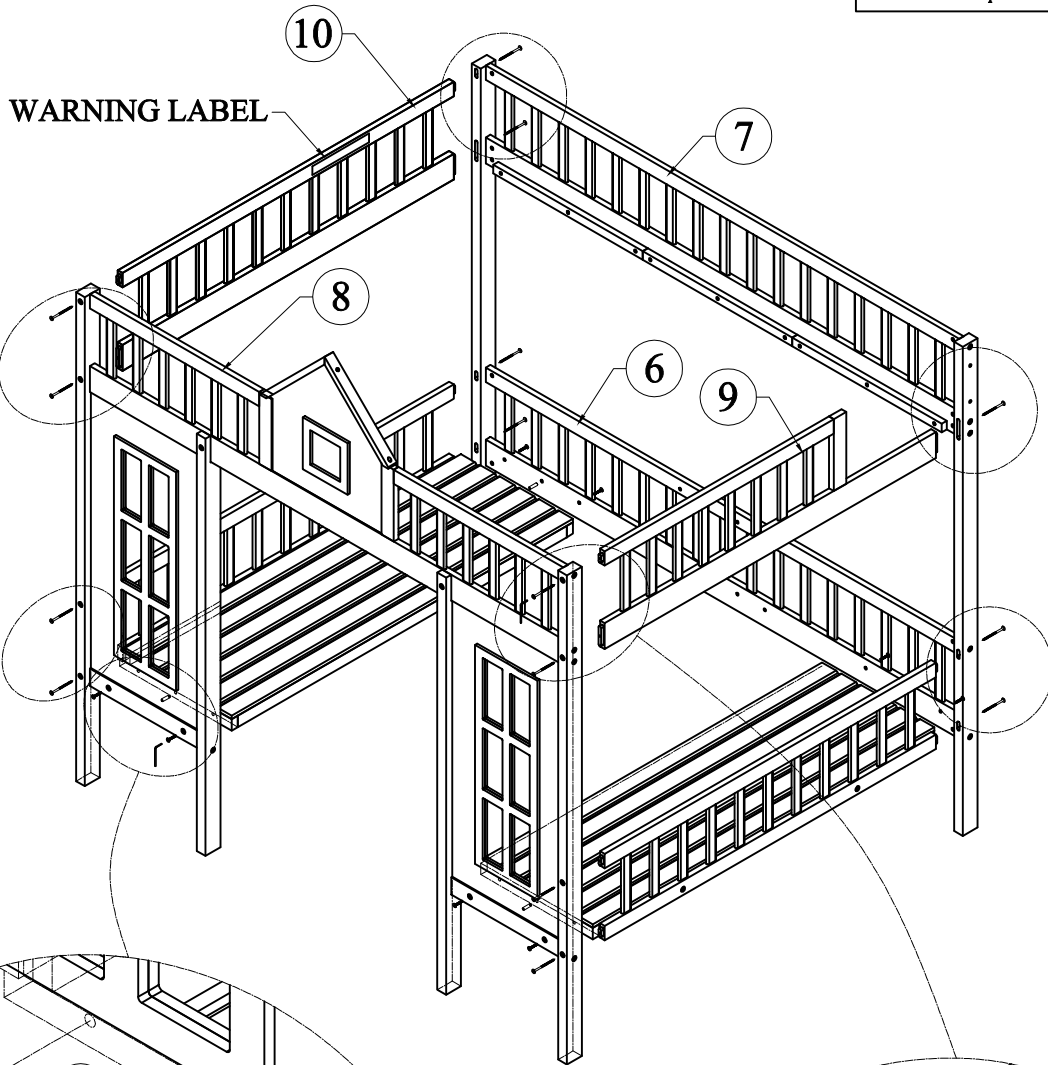


Hexagonal bolts catch wood
Ø6 * 90 - 15pcs

K



Wood dowel
Ø8 * 30 - 4pcs



STEP 11.1

Lift part number 20 upwards to form a table assembly
(replace bolt connection hole)

D

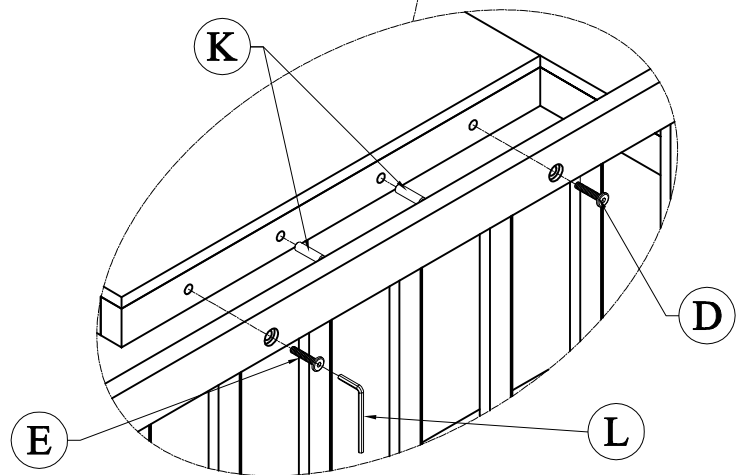
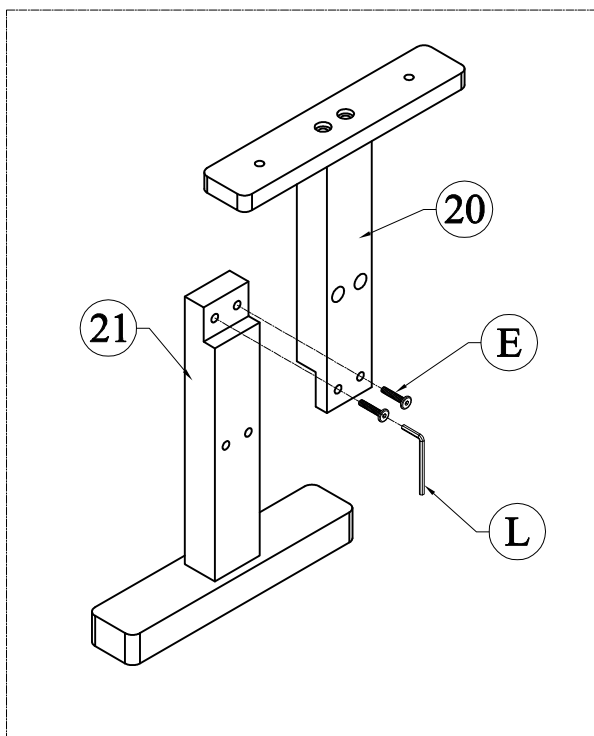
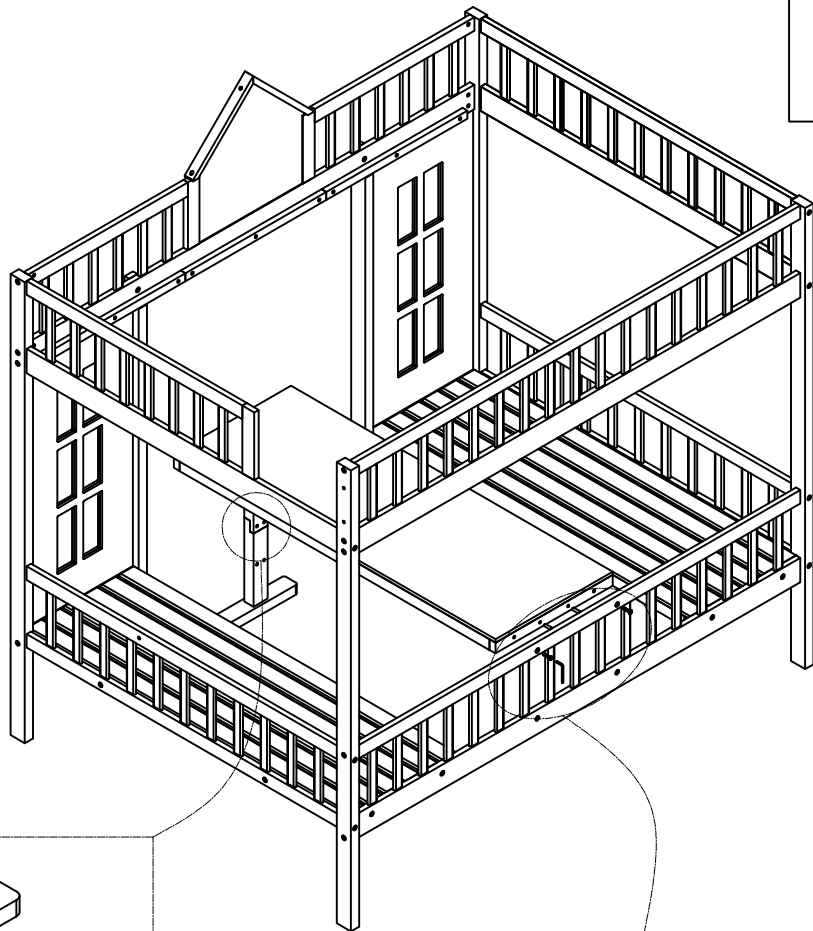


Hex - Head bolts
Ø1/4" * 40 - 8pcs

K

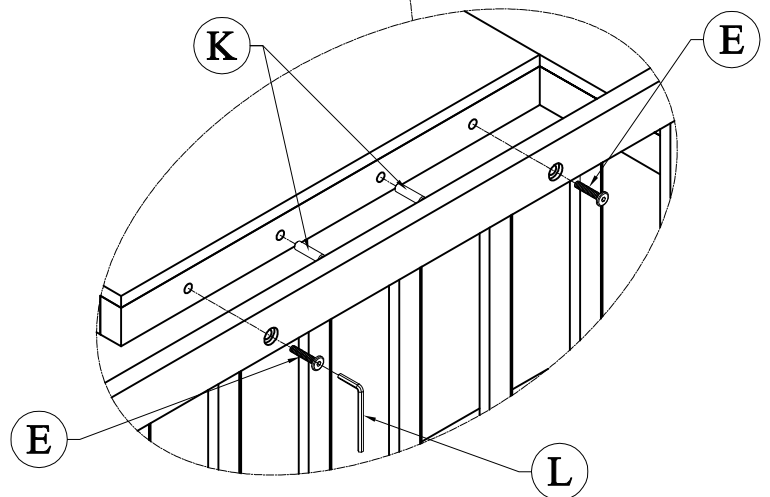
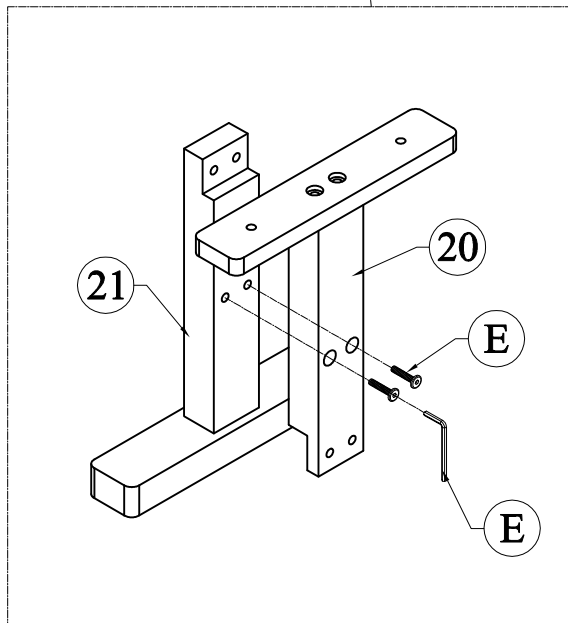
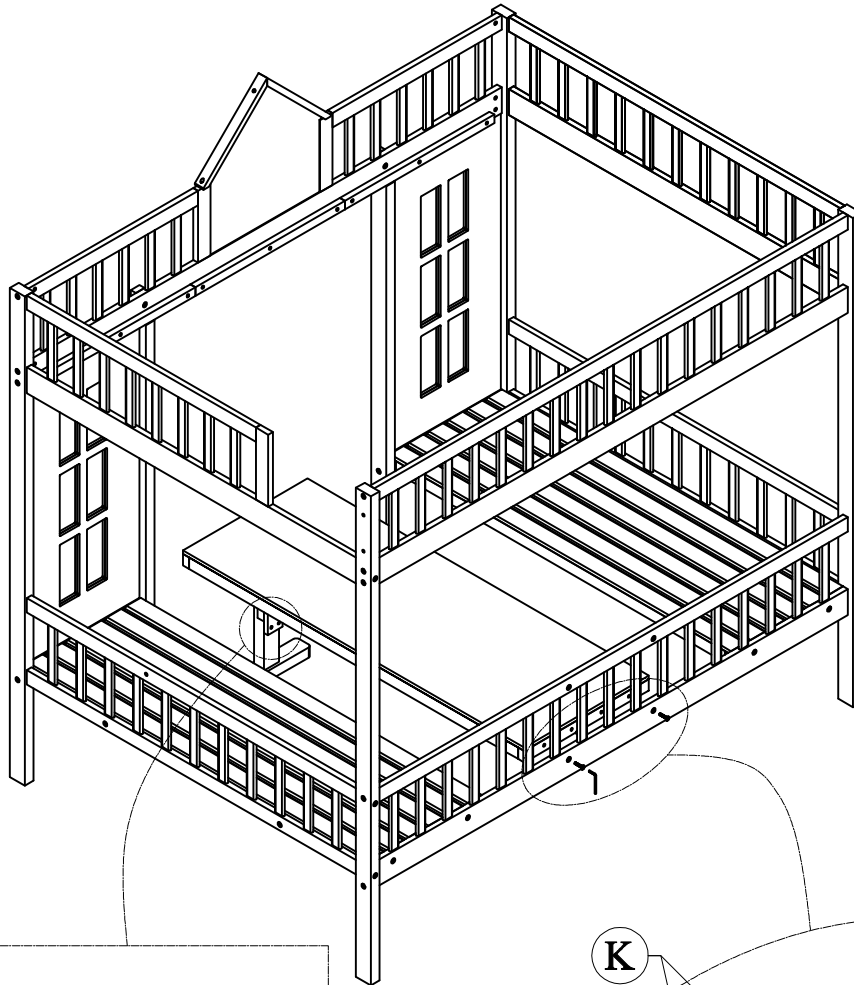


Wood dowel
Ø8 * 30 - 4pcs



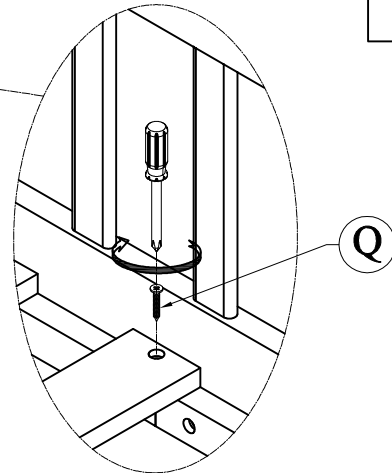
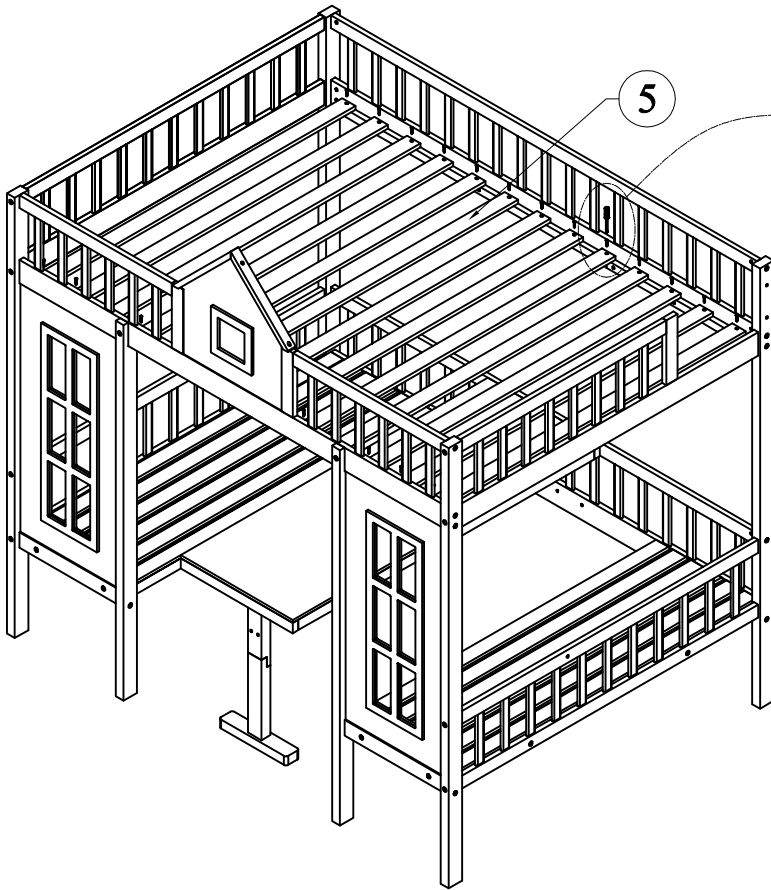
STEP 11.2

Lower detail number 20 to form a bed cluster standard mattress (replace connection hole with bolt)

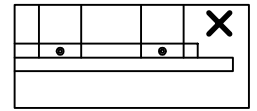
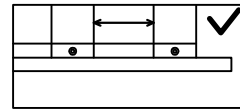


STEP 12

The distance between the slats is 3-3/8 inch

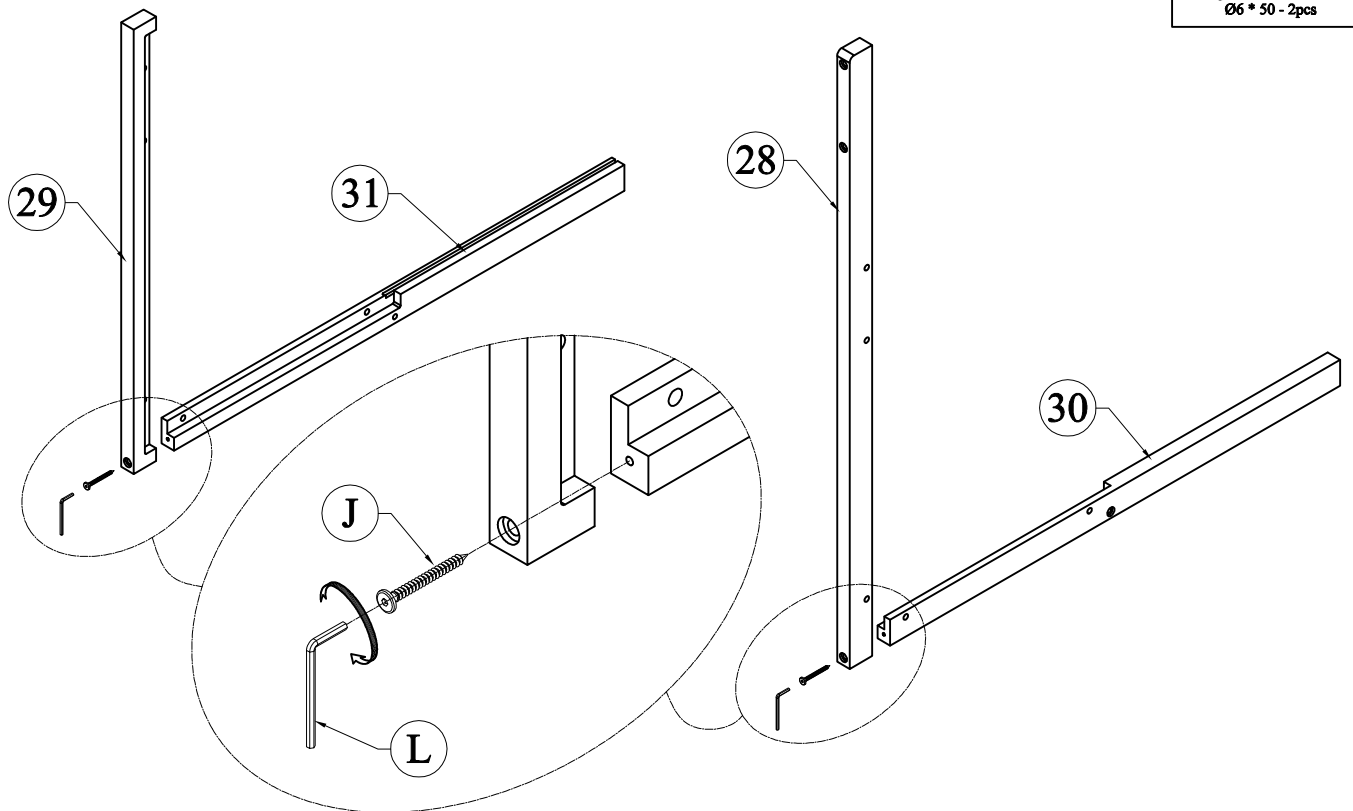
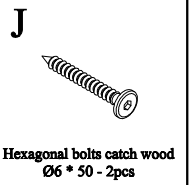


3-3/8"

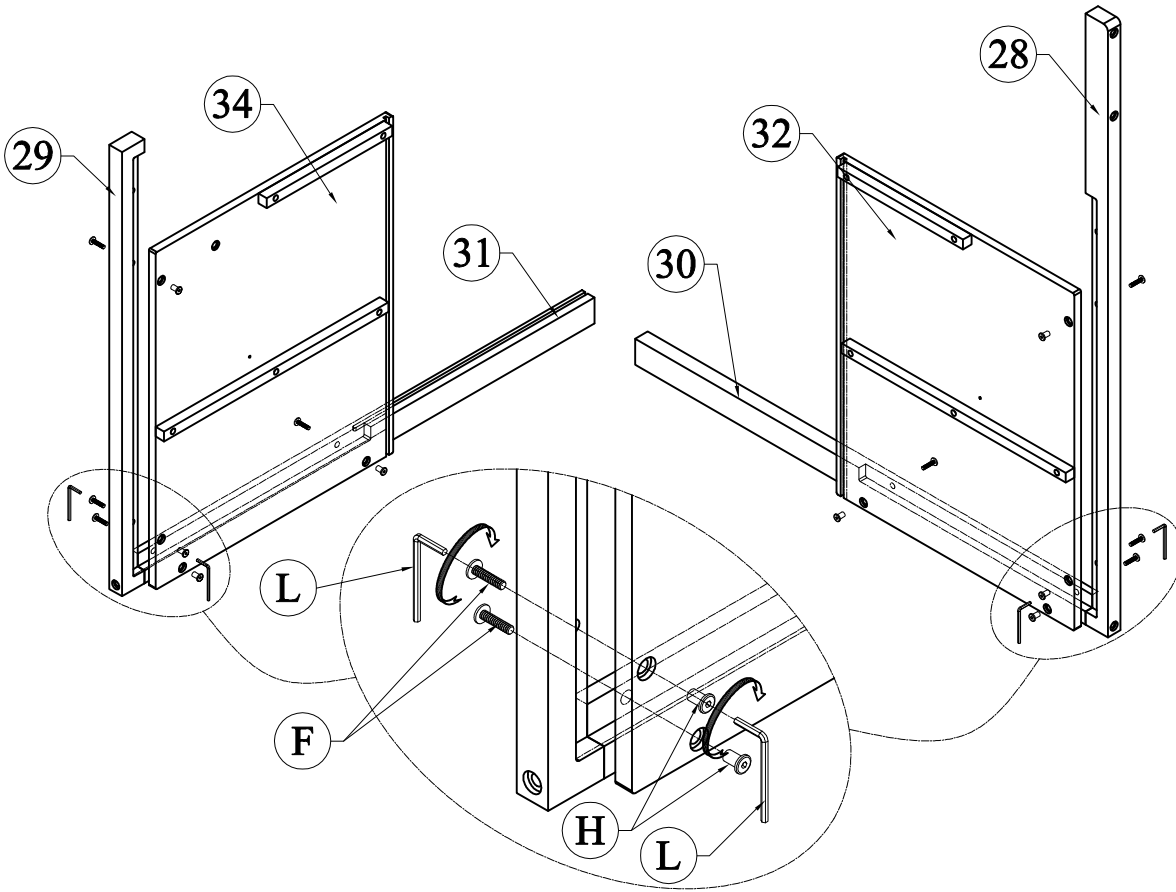


Note: Do not lock the screws of the bed slats to be outmost edge the bed slats, you need to leave a certain space at the edges, otherwise it will cause the board to break


STEP 13



STEP 14




F



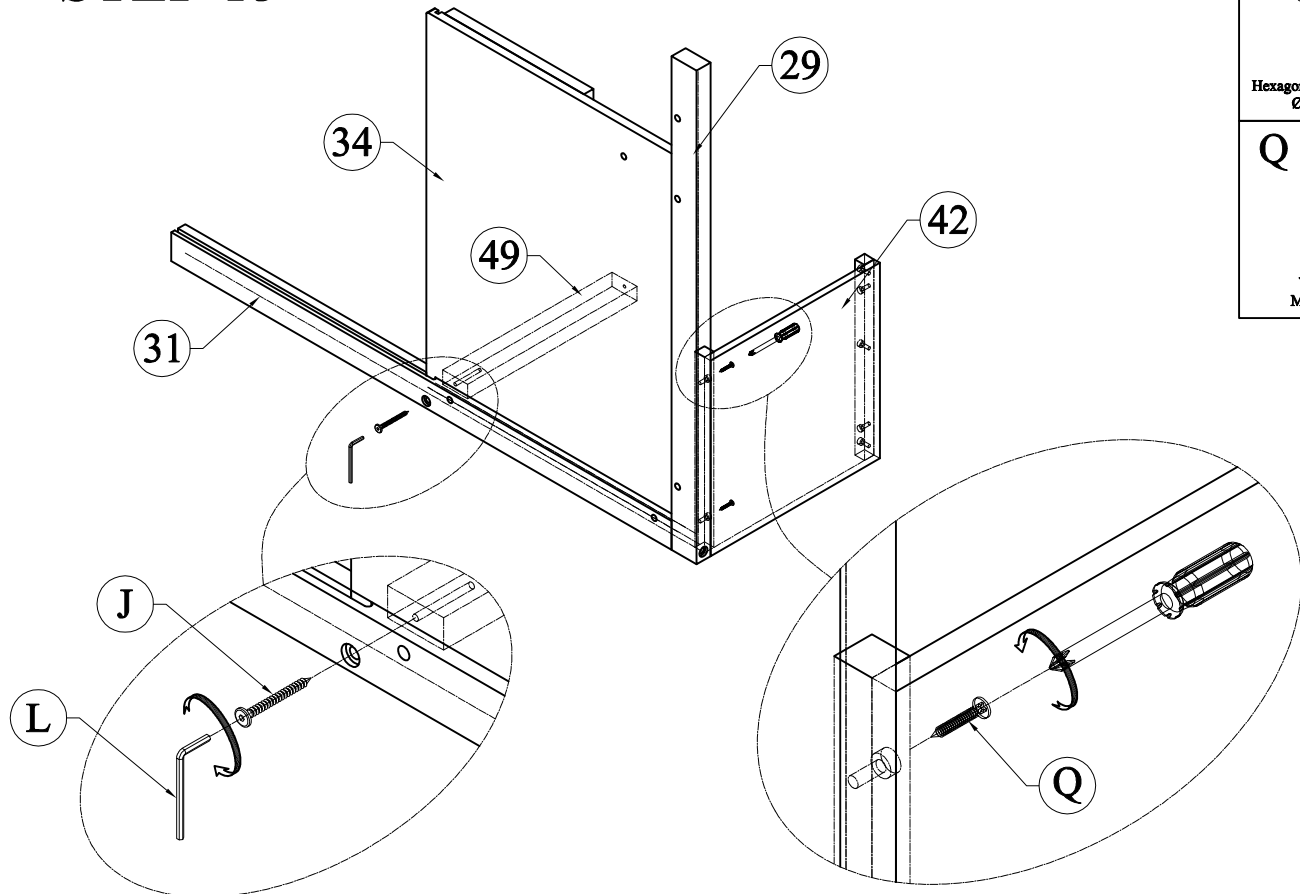
Hex - Head bolts
Ø1/4" * 20 - 8pcs

H




Canopy head through
Ø1/4" - 8pcs

STEP 15

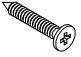


J



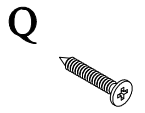
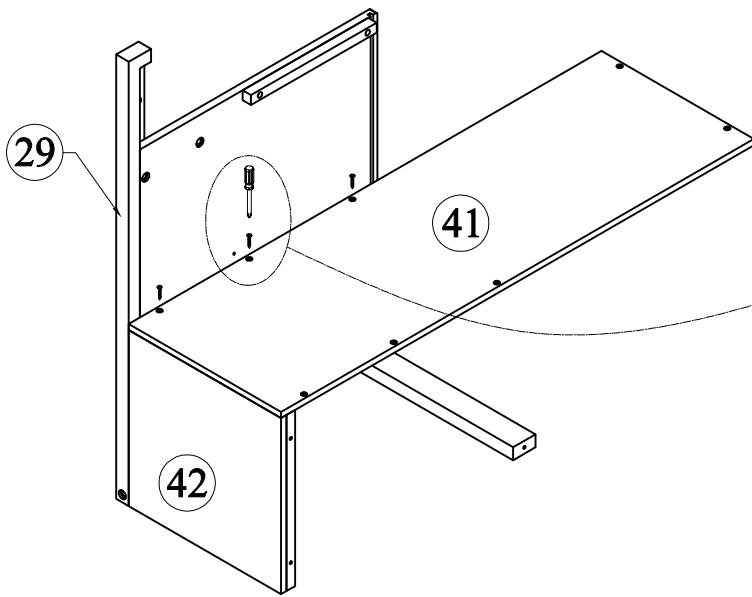
Hexagonal bolts catch wood
Ø6 * 50 - 1pcs

Q



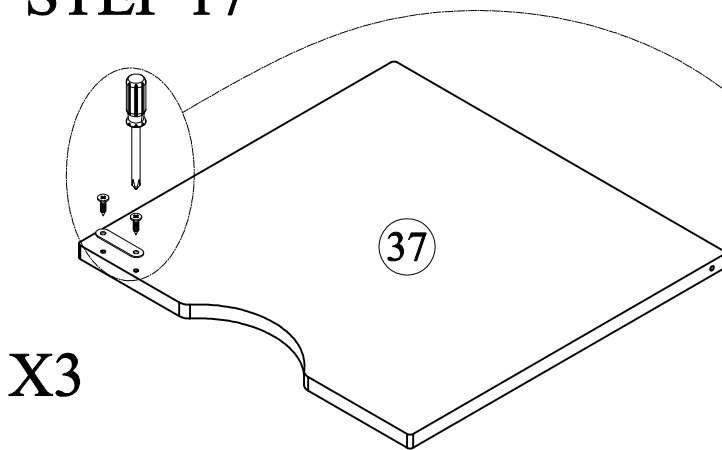
Wood crews
M4 * 25 - 2pcs

STEP 16

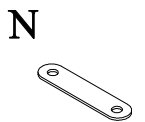


Wood crews
M4 * 25 - 3pcs

STEP 17

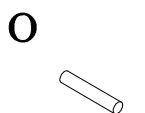
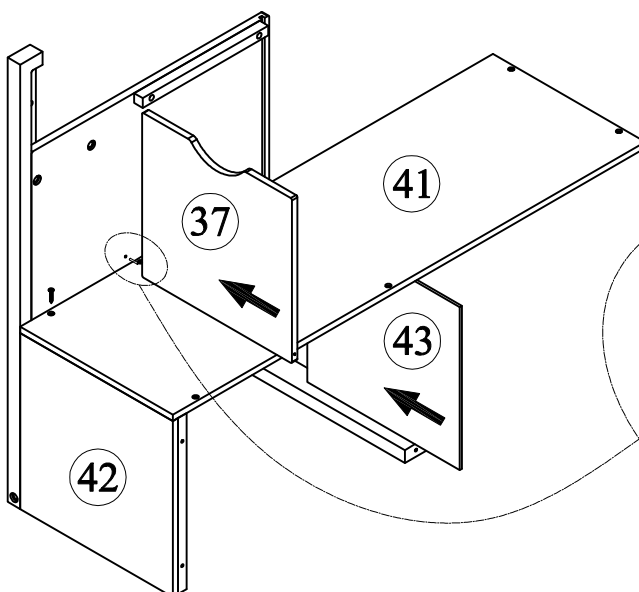


Wood crews
M3.5 * 12 - 6pcs



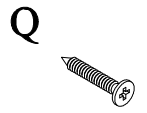
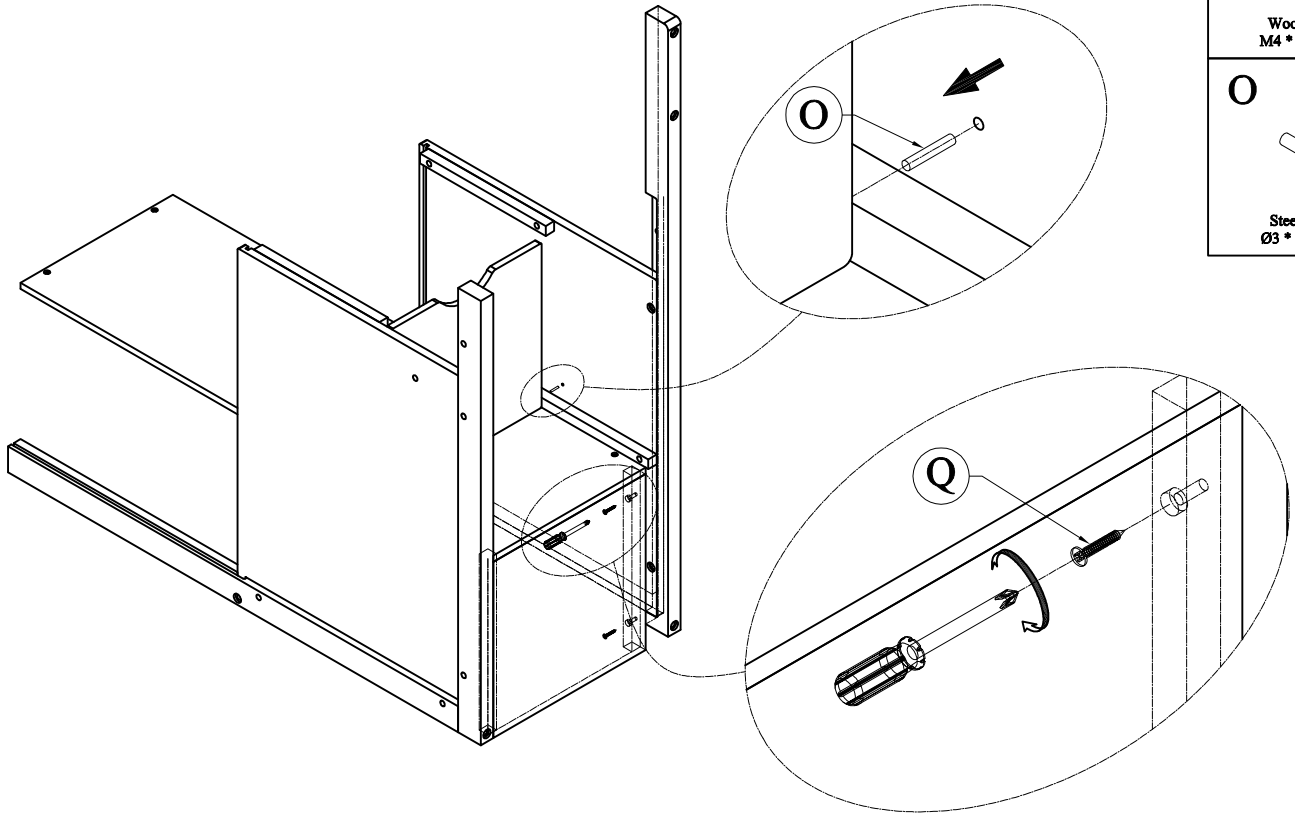
Mending plate - 3pcs

STEP 18

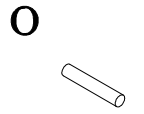


Steel dowel
Ø3 * 17 - 1pcs

STEP 19

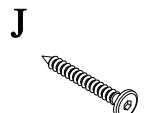
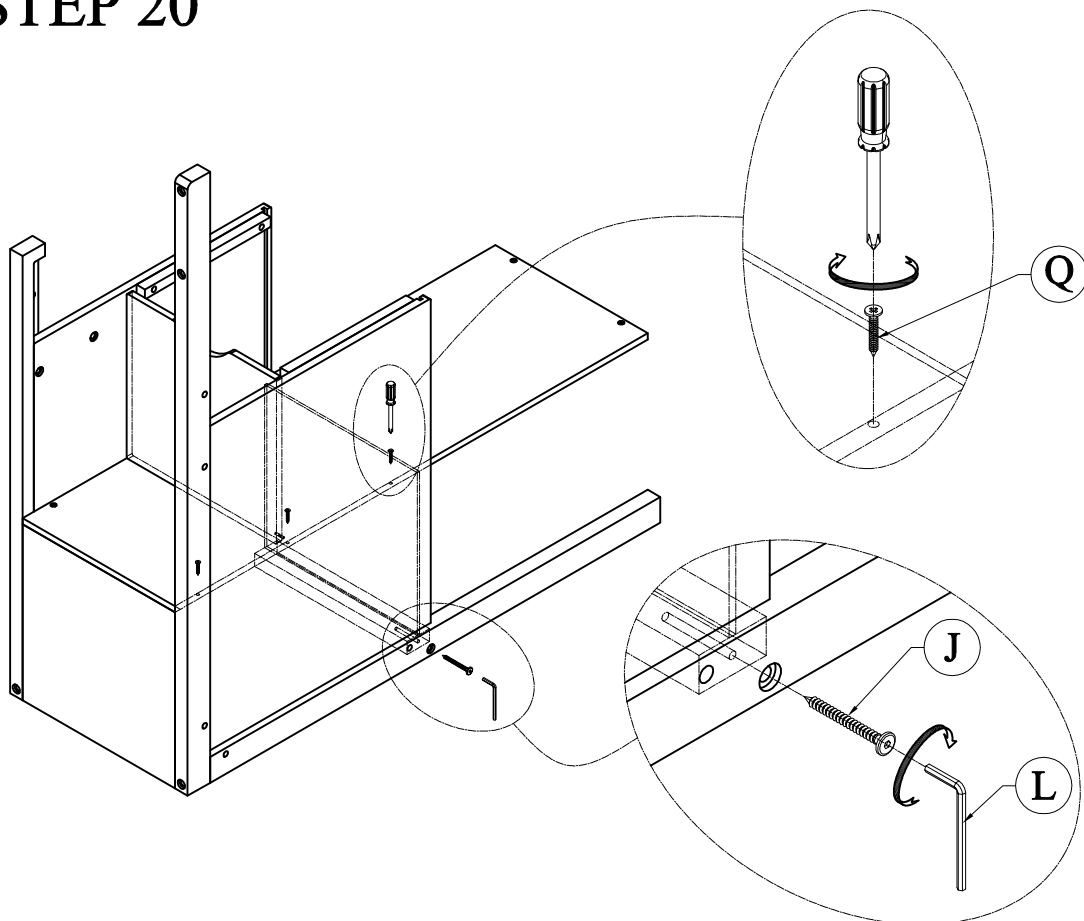


Wood screws
M4 * 25 - 2pcs

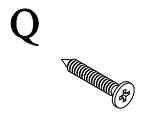


Steel dowel
Ø3 * 17 - 1pc

STEP 20



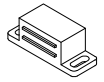
Hexagonal bolts catch wood
Ø6 * 50 - 1pc



Wood screws
M4 * 25 - 3pcs

STEP 21

M

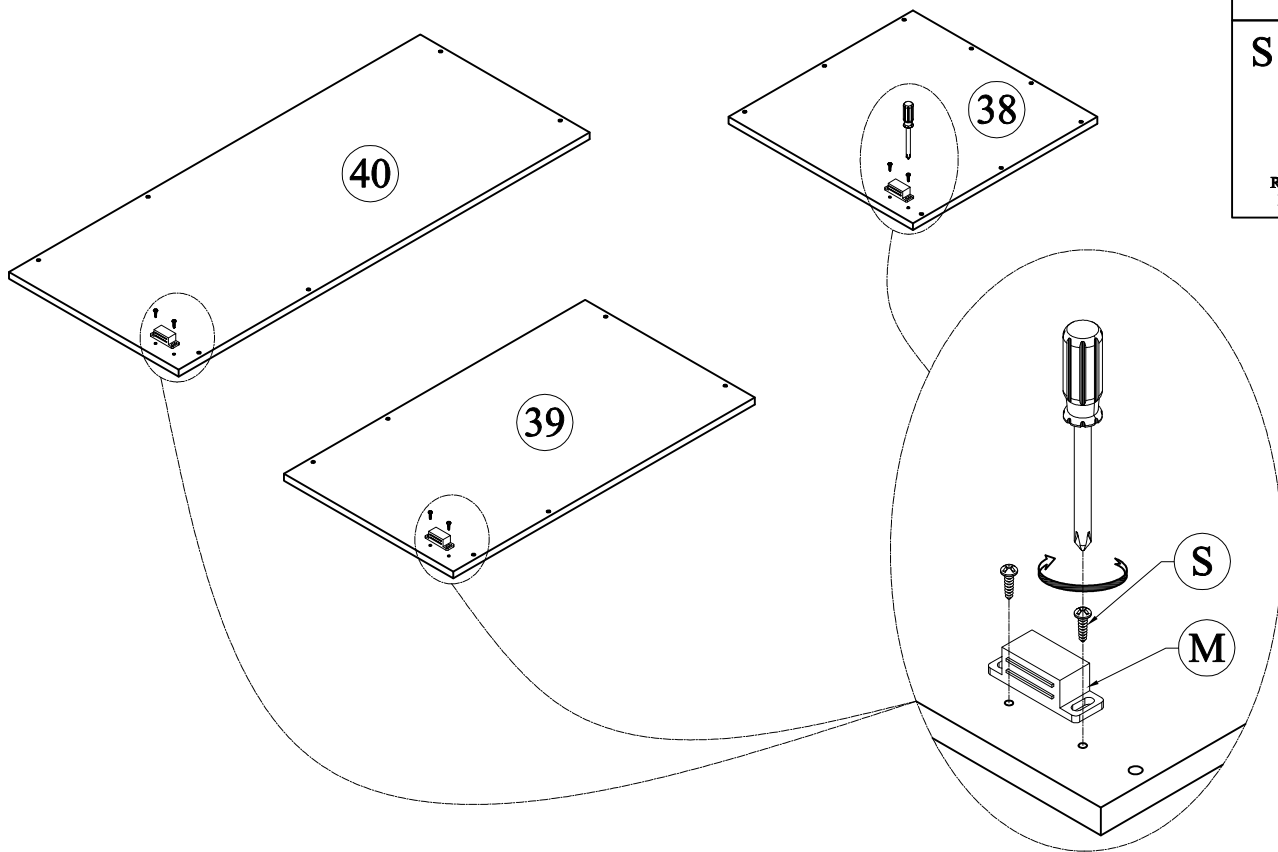


Magnet - 3pcs

S



Round wood crews
M3.5 * 15 - 6pcs

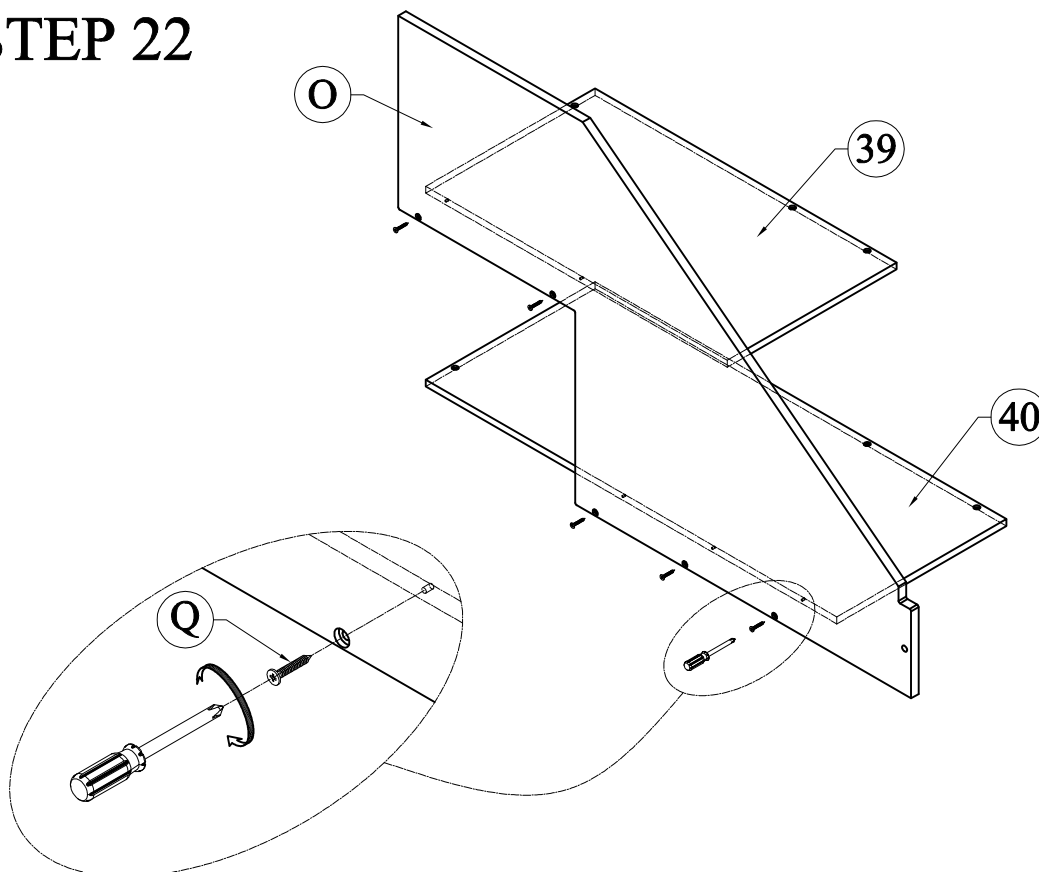


STEP 22

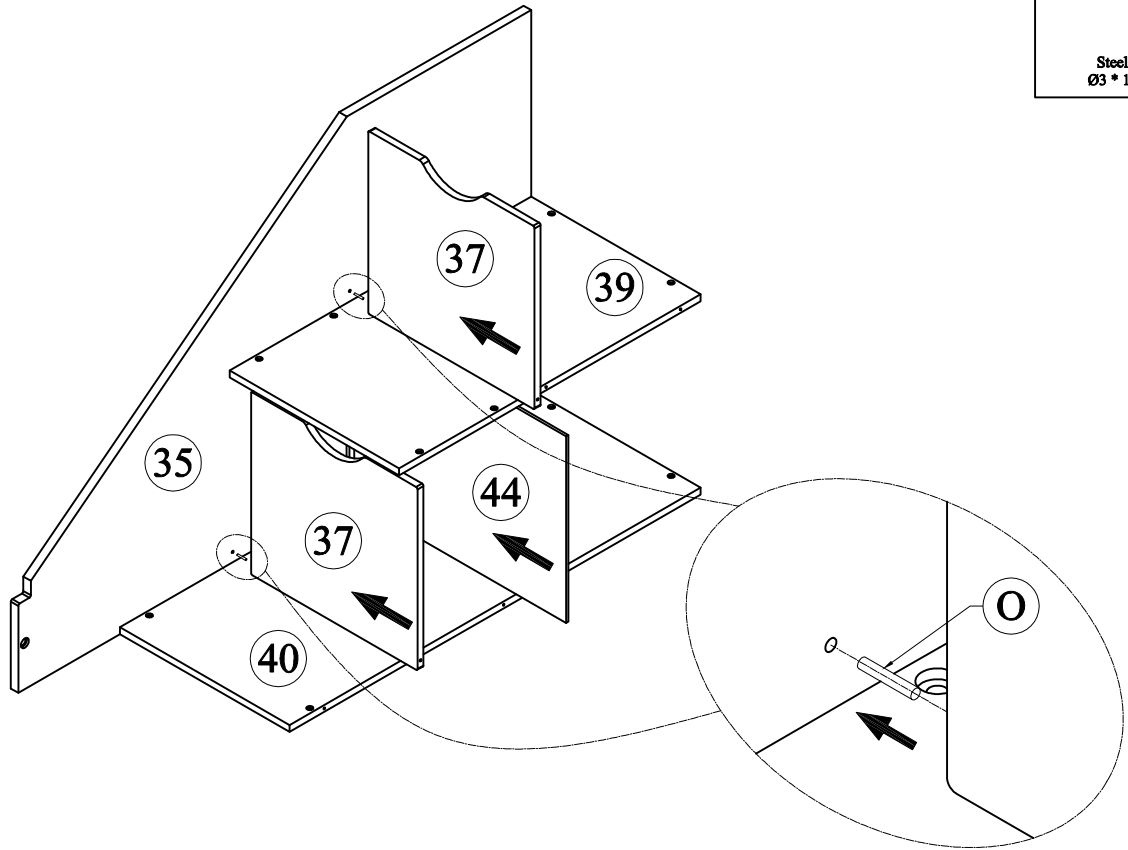
Q



Wood crews
M4 * 25 - 5pcs



STEP 23

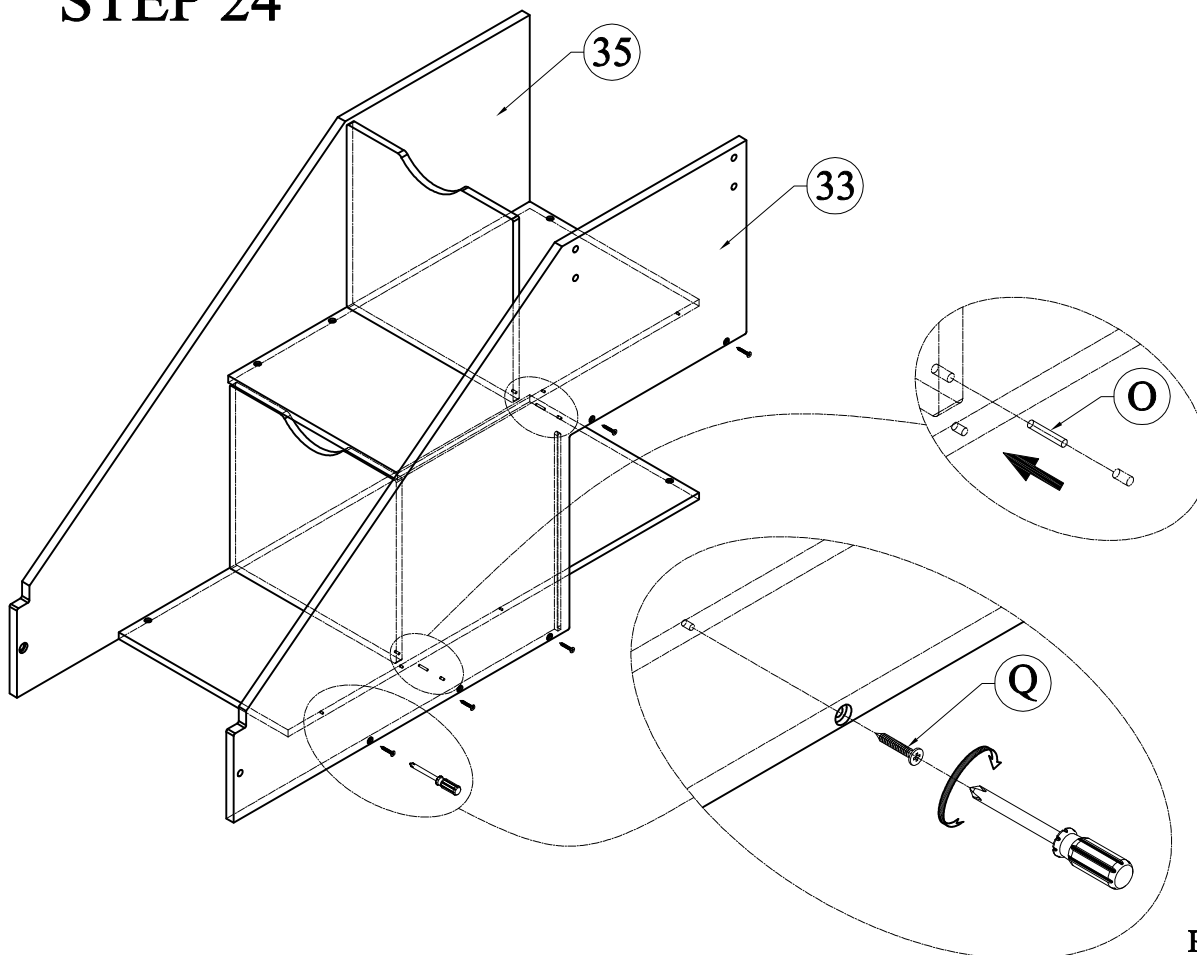


O



Steel dowel
Ø3 * 17 - 2pcs

STEP 24



Q



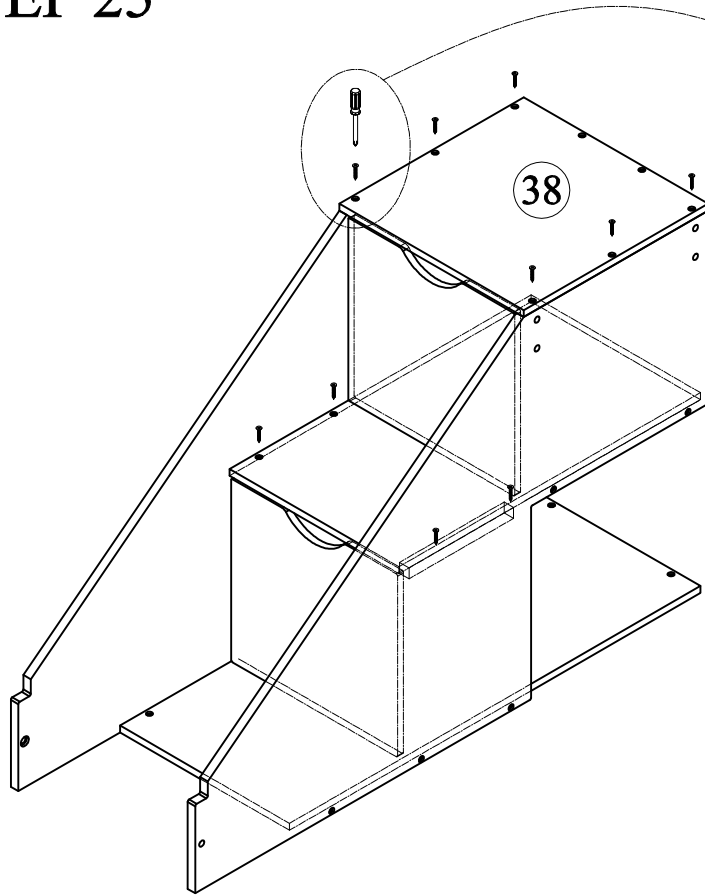
Wood screws
M4 * 25 - 5pcs


O

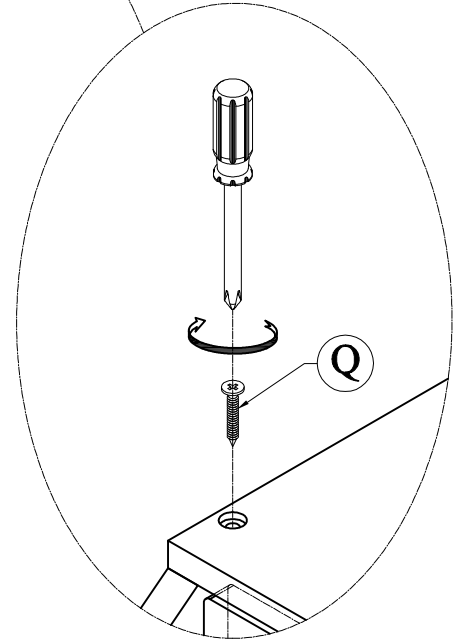


Steel dowel
Ø3 * 17 - 2pcs

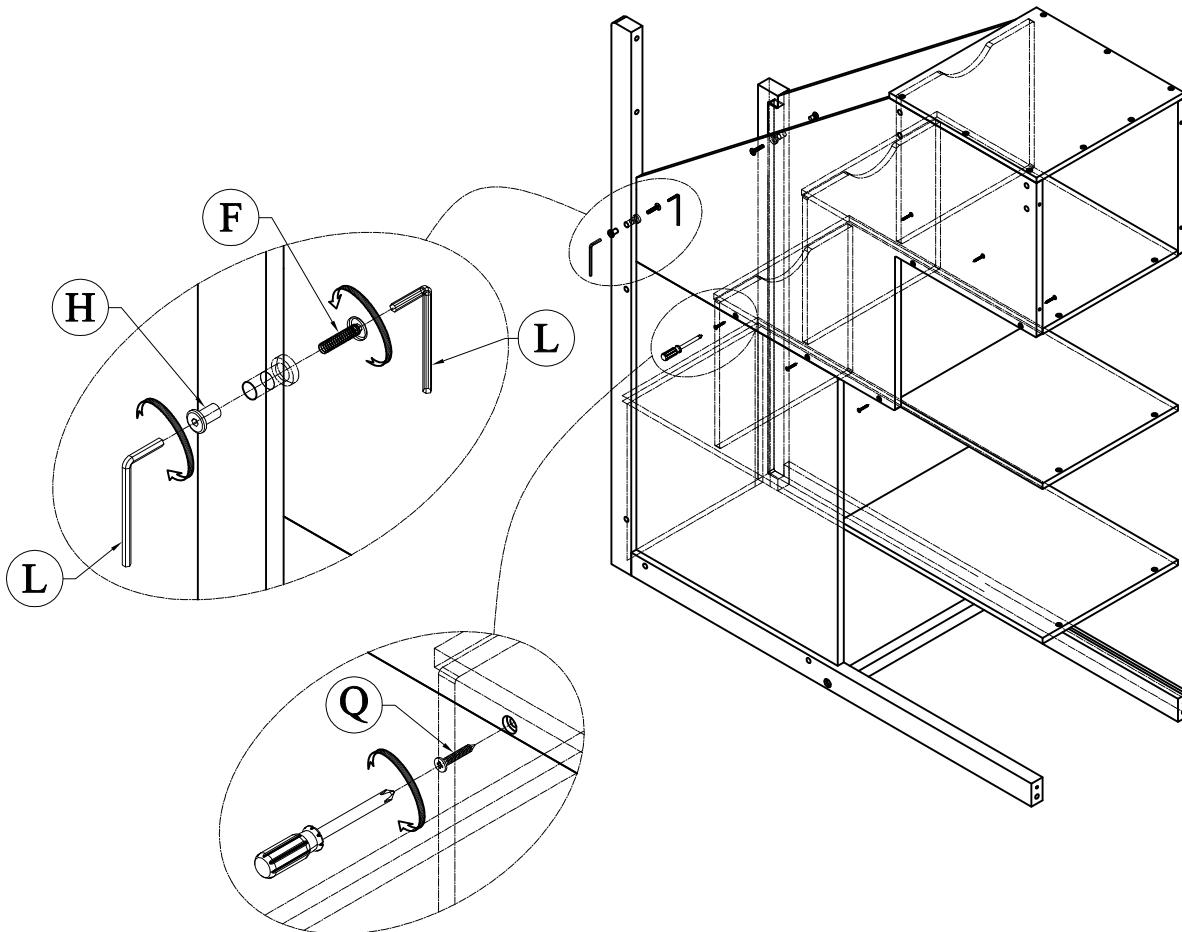
STEP 25





Q

Wood crews
M4 * 25 - 10pcs



STEP 26



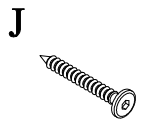
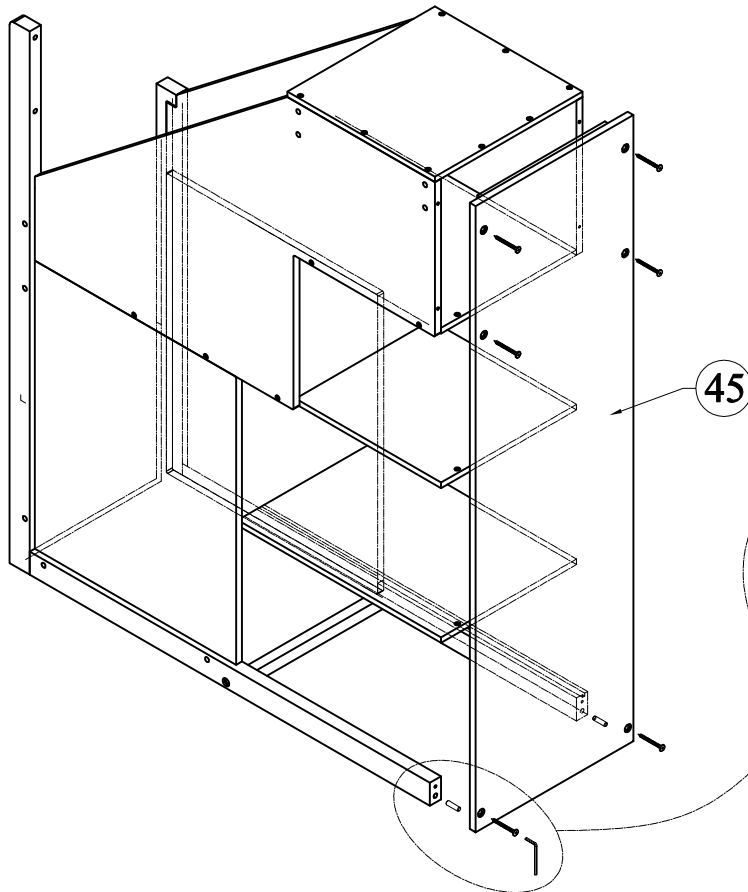
F

Hex - Head bolts
Ø1/4" * 20 - 2pcs

H

Canopy head through
Ø1/4" - 2pcs

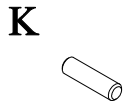
Q

Wood crews
M4 * 25 - 6pcs

STEP 25

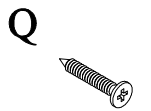
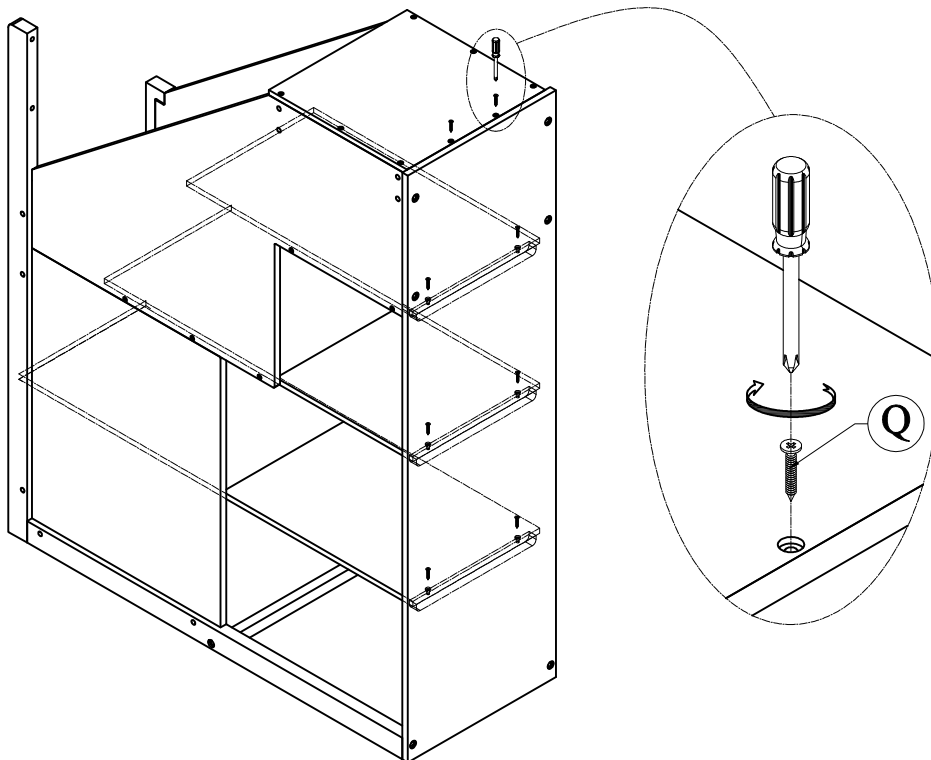


Hexagonal bolts catch wood
Ø6 * 50 - 6pcs



Wood dowel
Ø8 * 30 - 2pcs

STEP 26



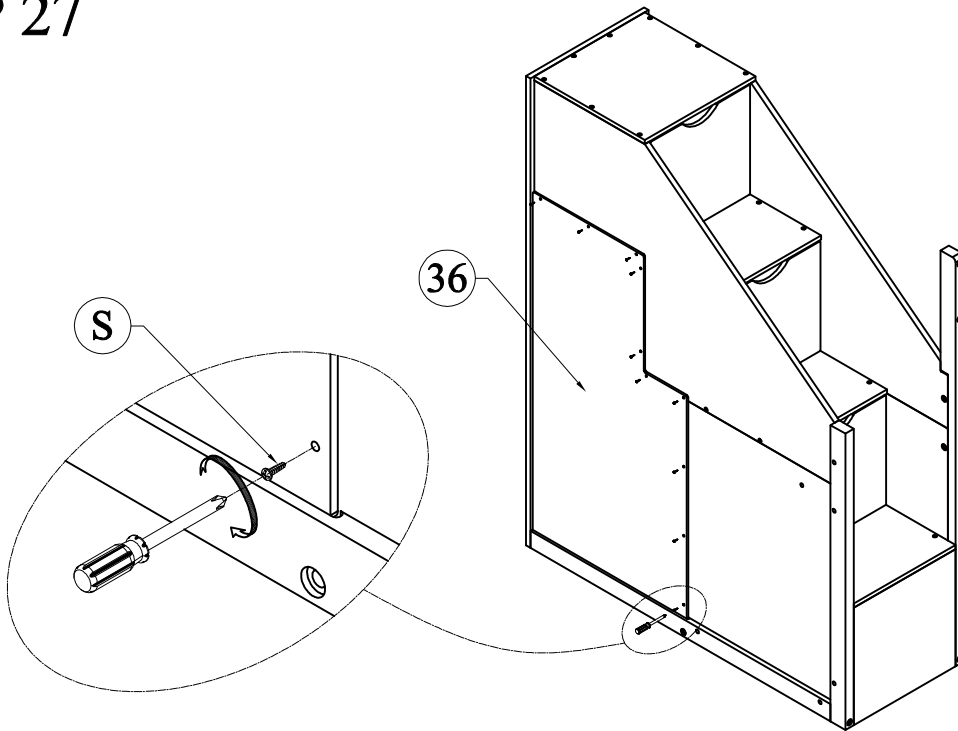
Wood crews
M4 * 25 - 8pcs

STEP 27

S



Round wood crews
M3.5 * 15 - 10pcs

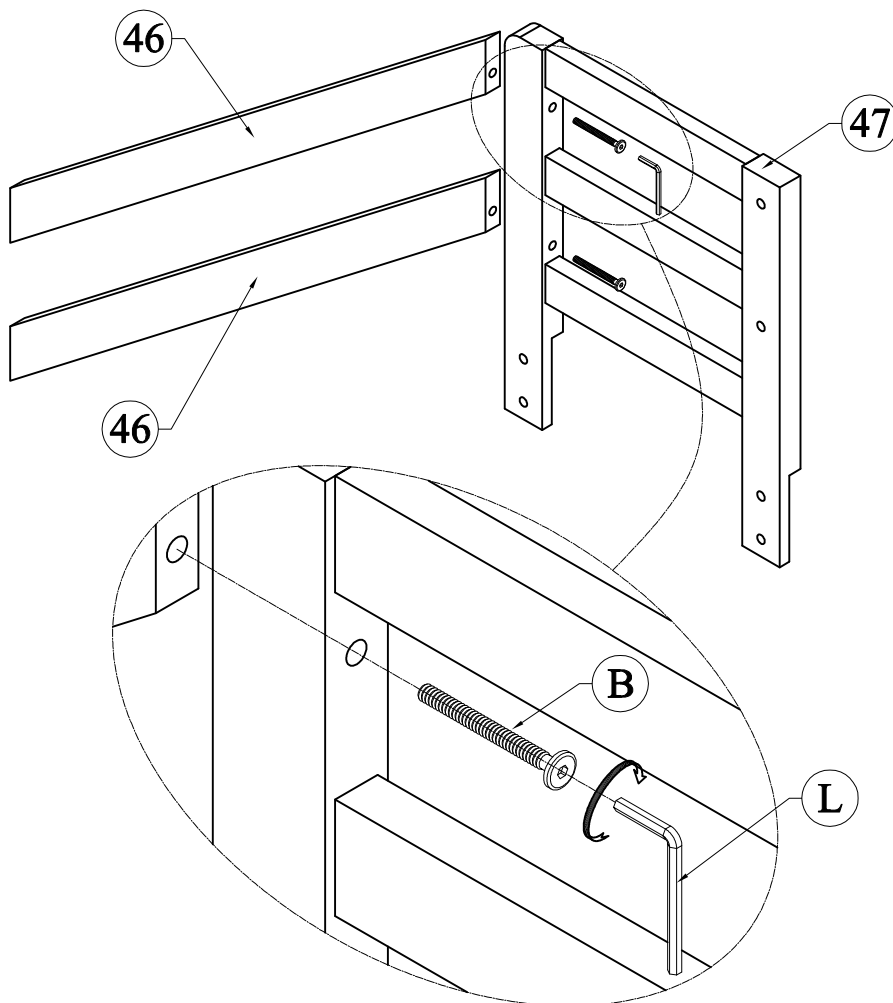


STEP 28

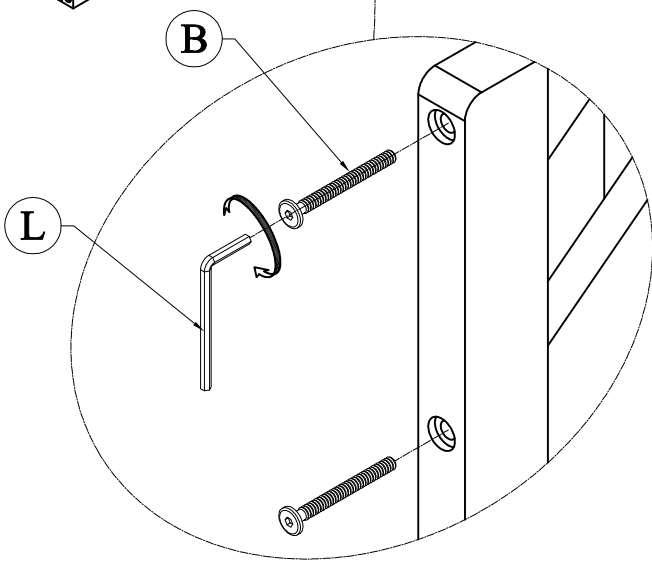
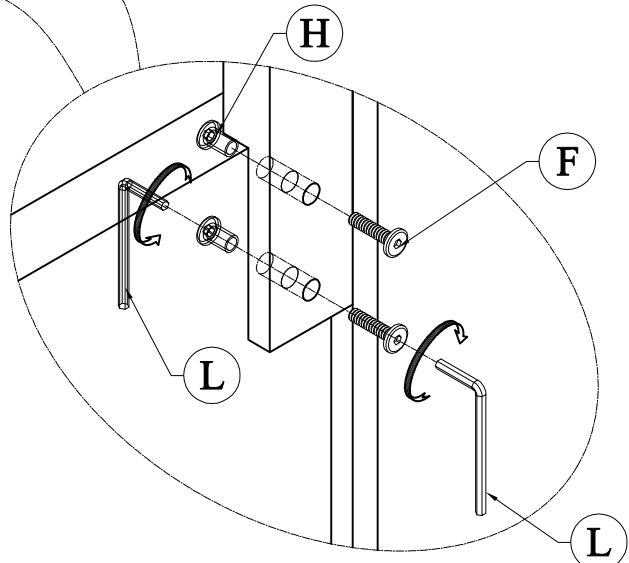
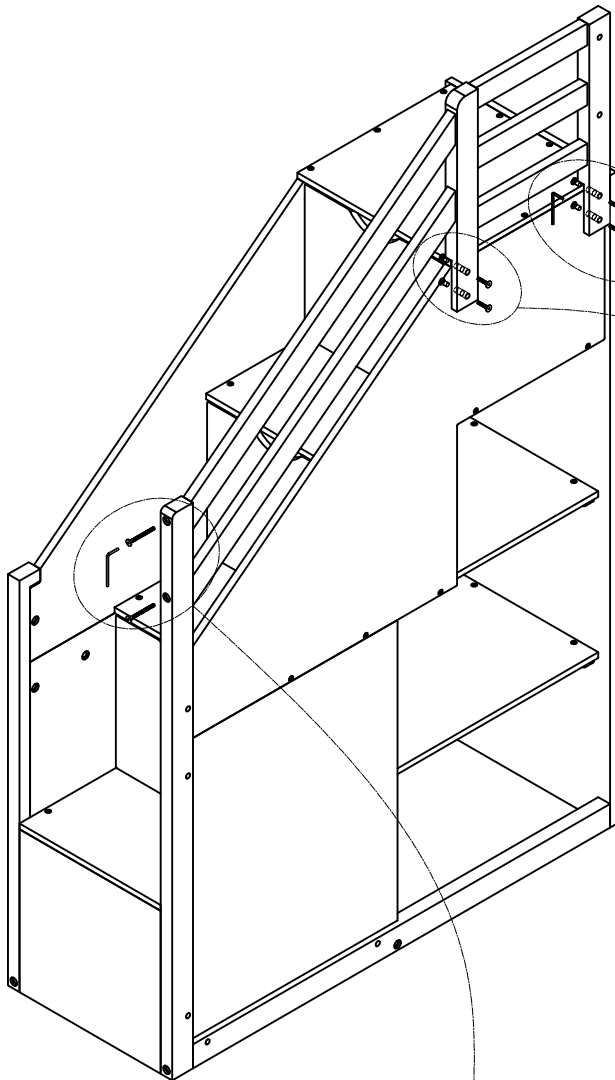
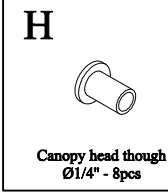
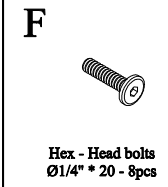
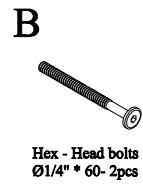
B



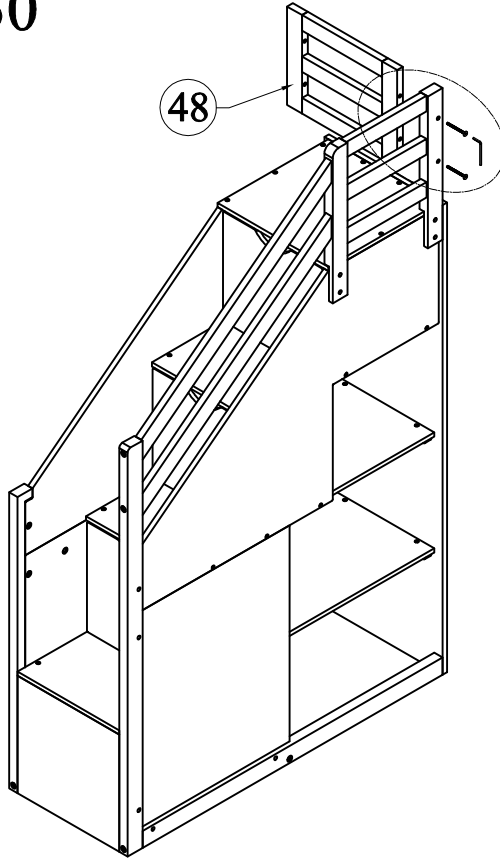
Hex - Head bolts
Ø1/4" * 60- 2pcs



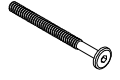
STEP 29



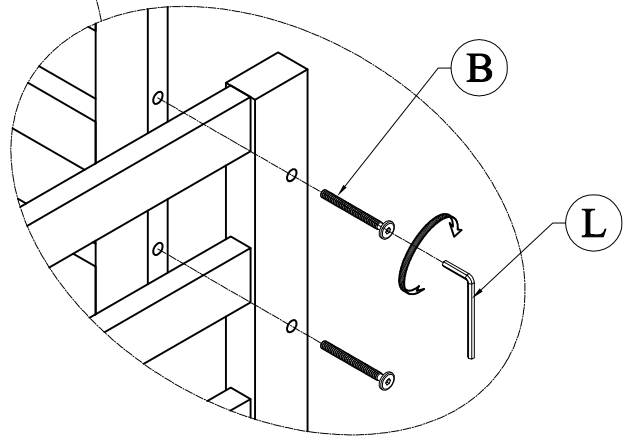
STEP 30






B

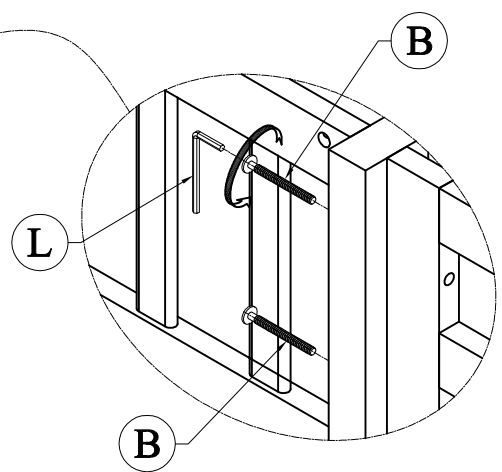
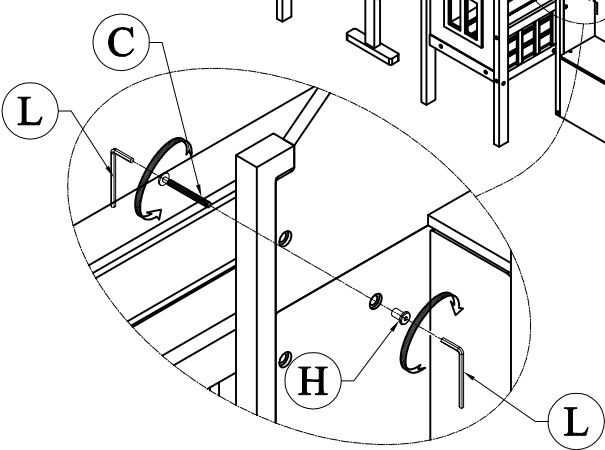
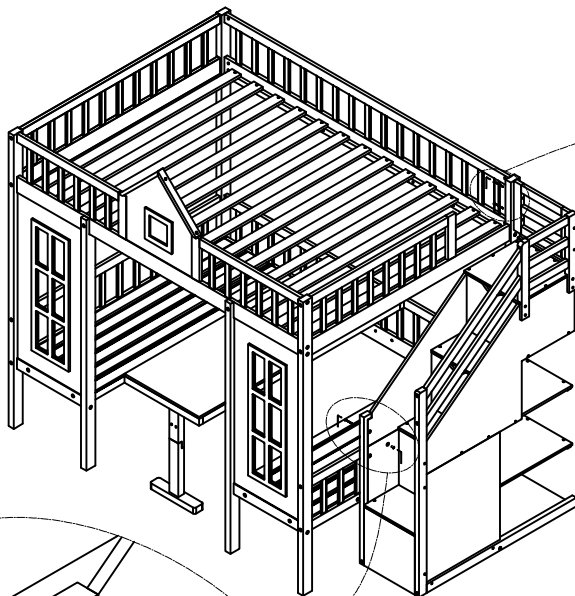


Hex - Head bolts
Ø1/4" * 60- 2pcs

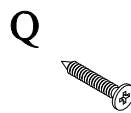


STEP 31

<p>B</p>  <p>Hex - Head bolts Ø1/4" * 60- 2pcs</p>	<p>C</p>  <p>Hex - Head bolts Ø1/4" * 50- 1pcs</p>	<p>H</p>  <p>Canopy head through Ø1/4" - 8pcs</p>
---	--	---

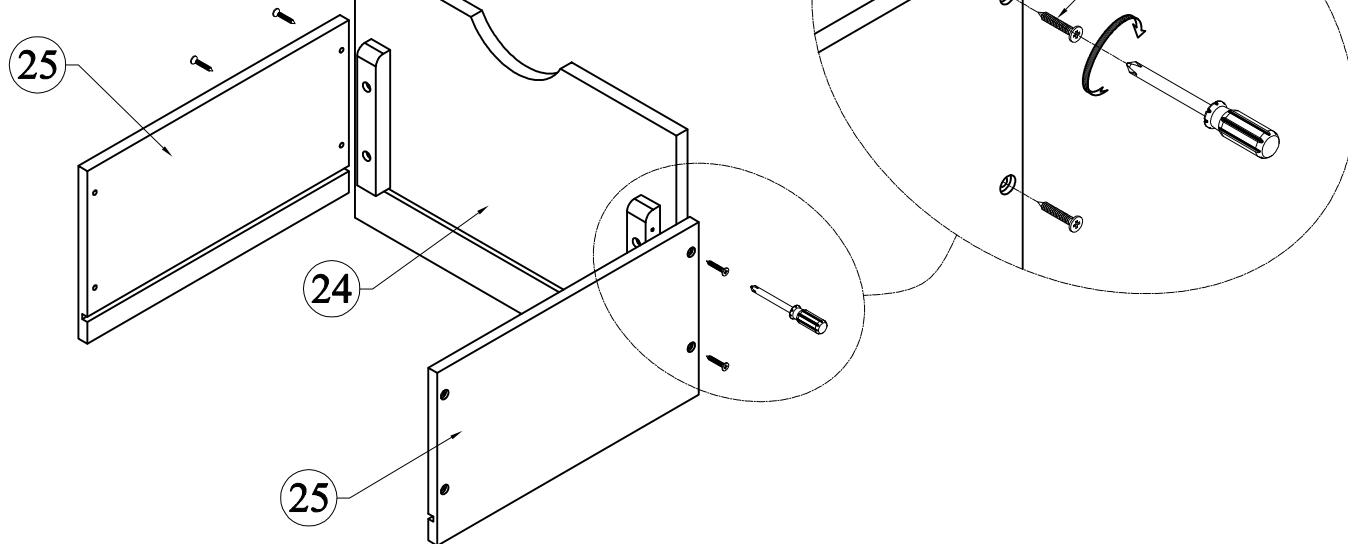


STEP 30

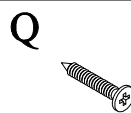


Wood crews
M4 * 25 - 8pcs

X2

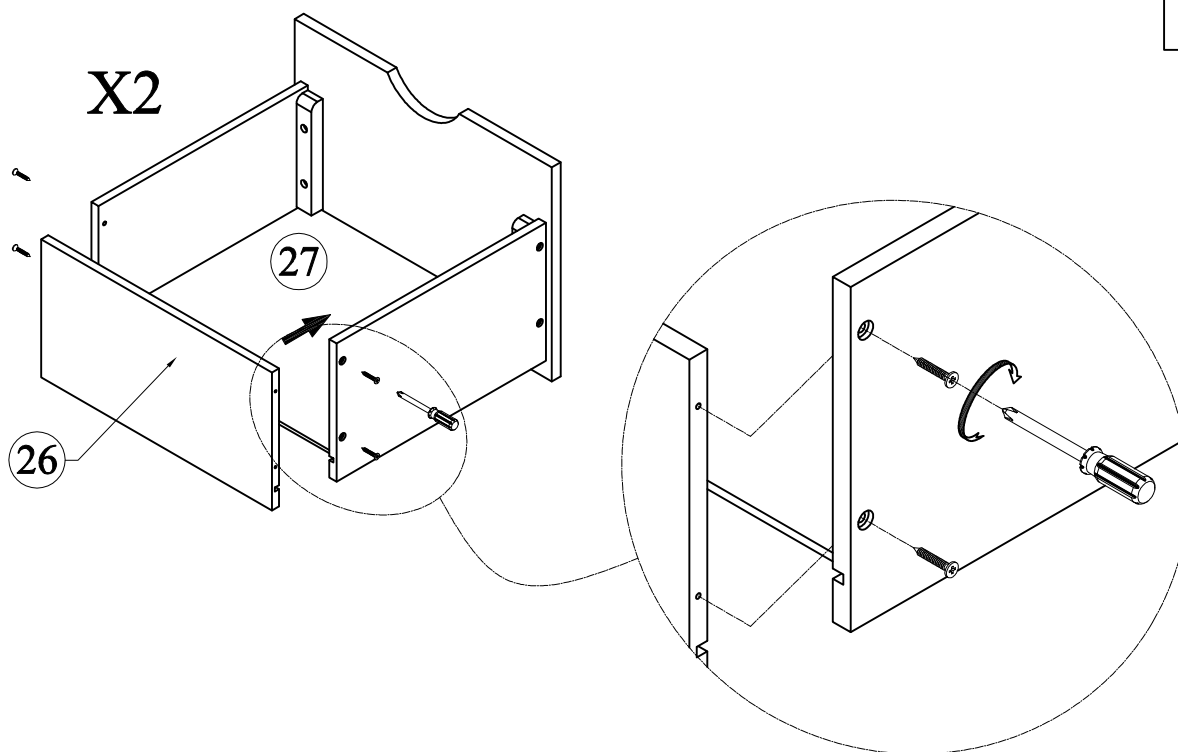


STEP 31



Wood crews
M4 * 25 - 8pcs

X2




STEP 32

P

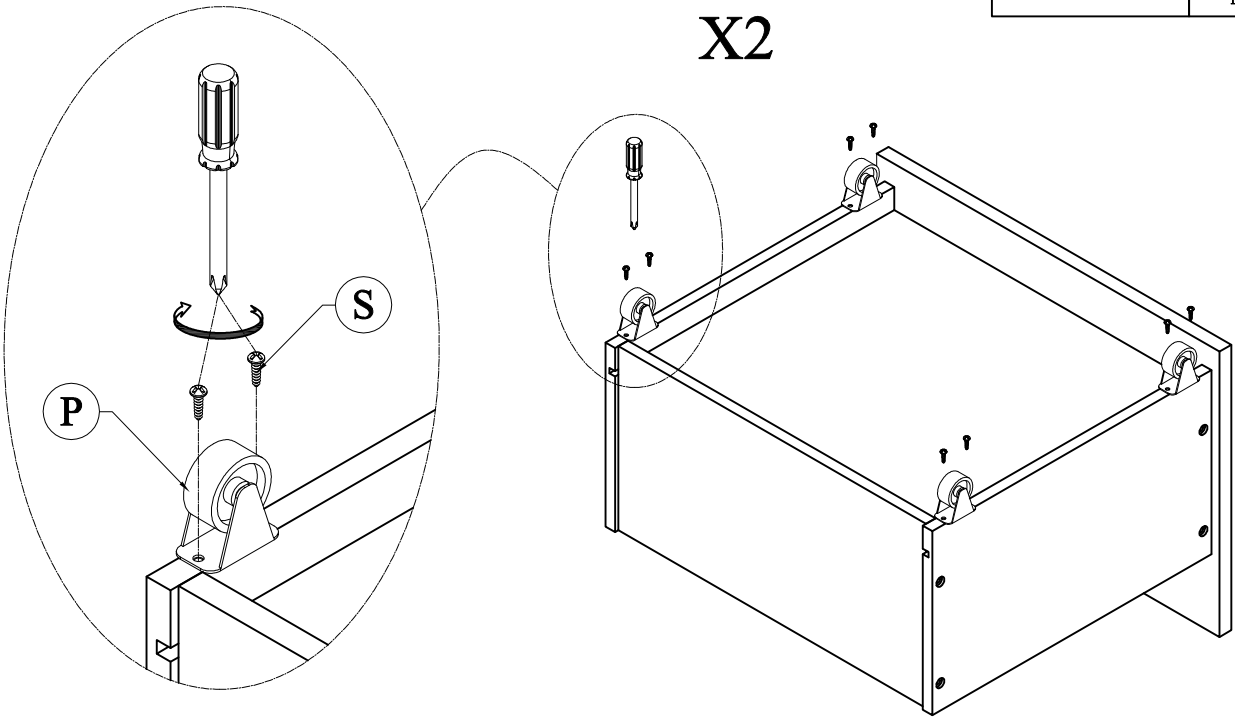


Wheel - 8pcs

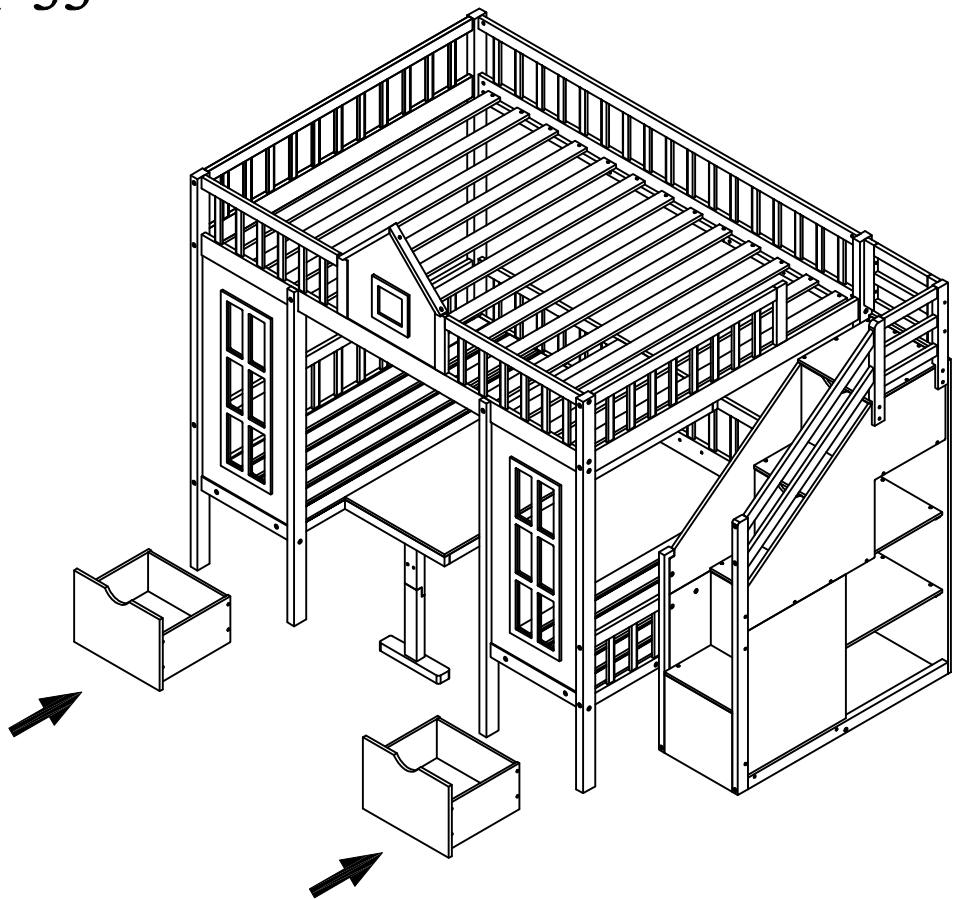
S



Round wood crews
M3.5 * 15 - 16pcs



STEP 33



COMPLETED

