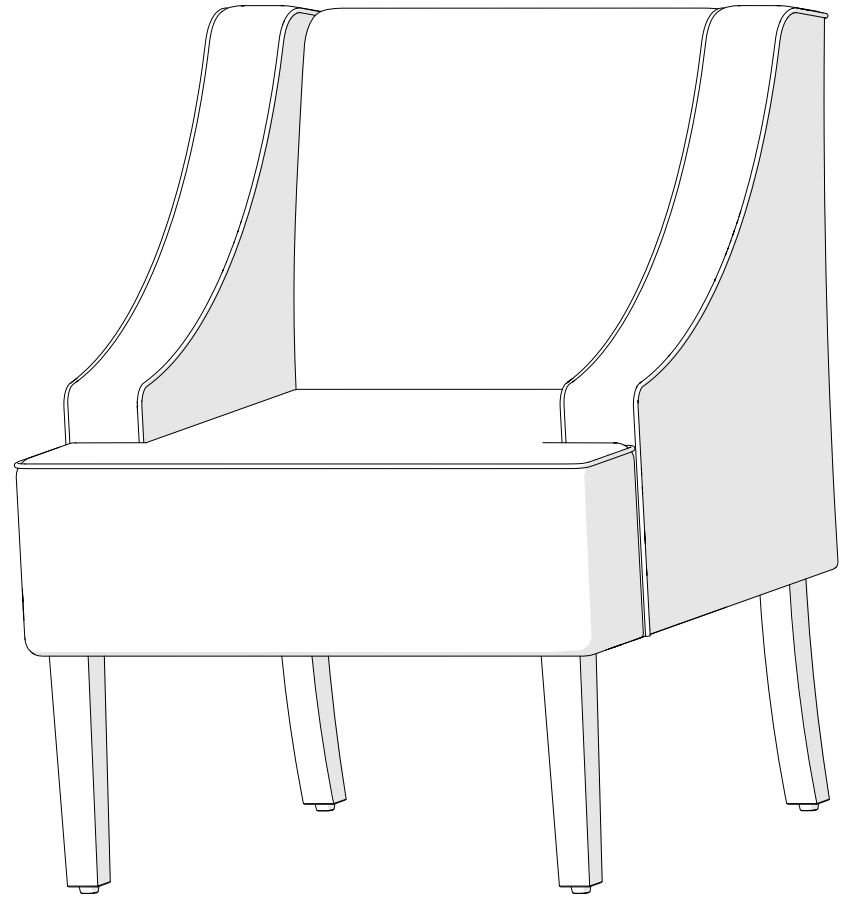


# ASSEMBLY INSTRUCTION



# table of contents



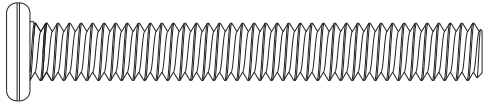
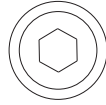
introduction	2
hardware	4
parts list	5
assembly	6 - 8

# hardware

---

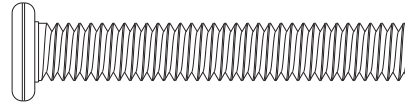
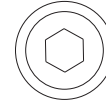
(A) x 4

5/16" x 60mm  
round hex screw



(B) x 4

5/16" x 50mm  
round hex screw



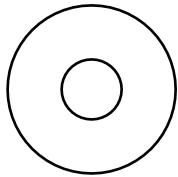
(C) x 8

Φ 8mm lock washer



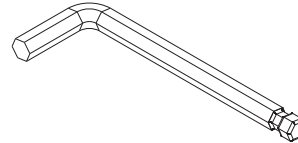
(D) x 8

Φ 22mm flat washer



(E) x 1

5mm Ball end  
Hex wrench

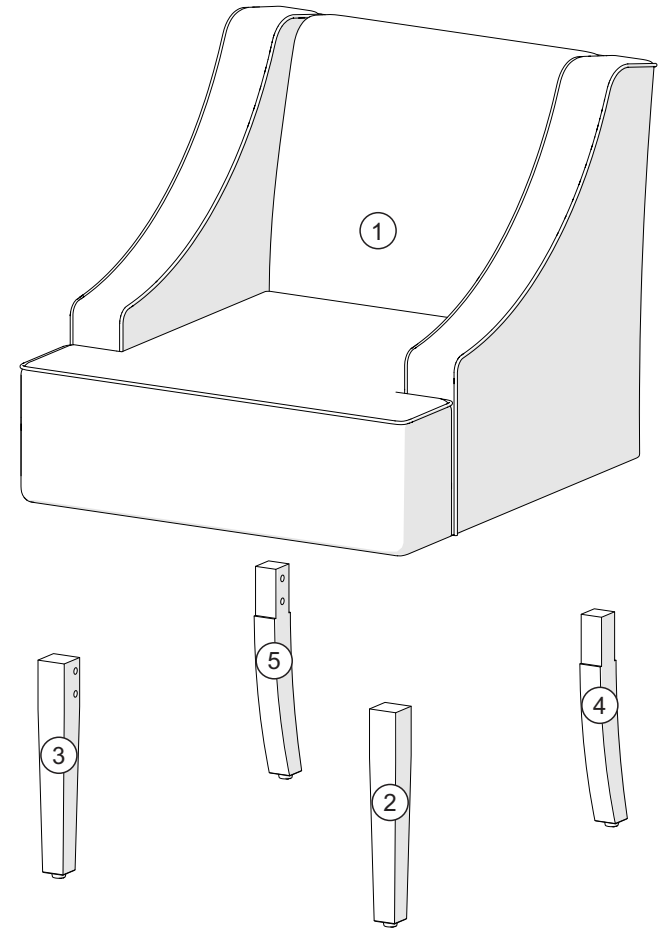
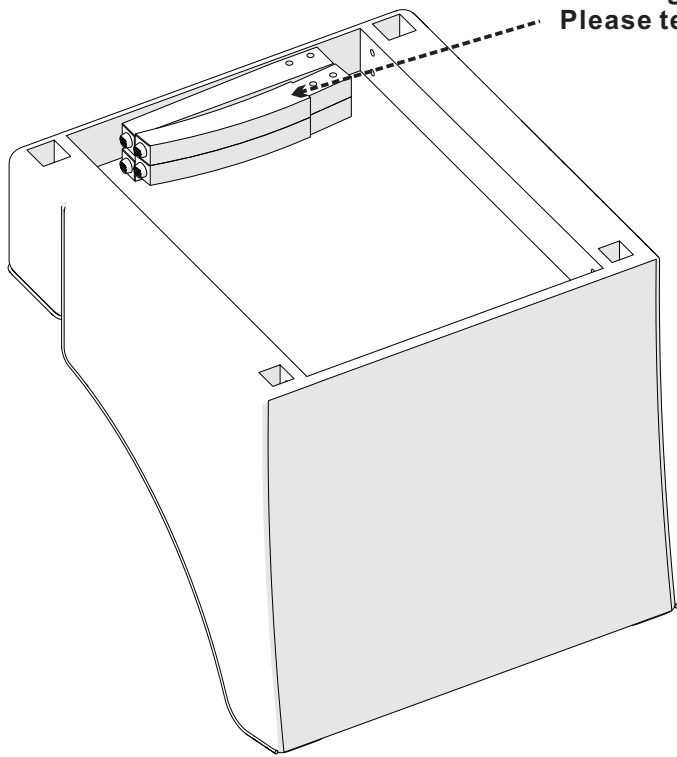


ITEM DESCRIPTION QUANTITY

.....

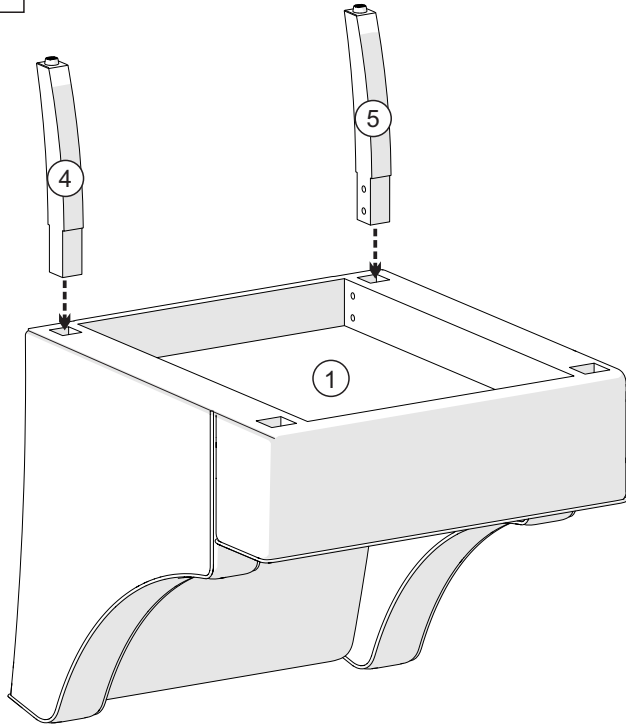
①	chair cushion	1
②	right front leg	1
③	left front leg	1
④	right back leg	1
⑤	left back leg	1

Chair legs and hardware are under the seat.  
Please tear open the Velcro to retrieve the parts.

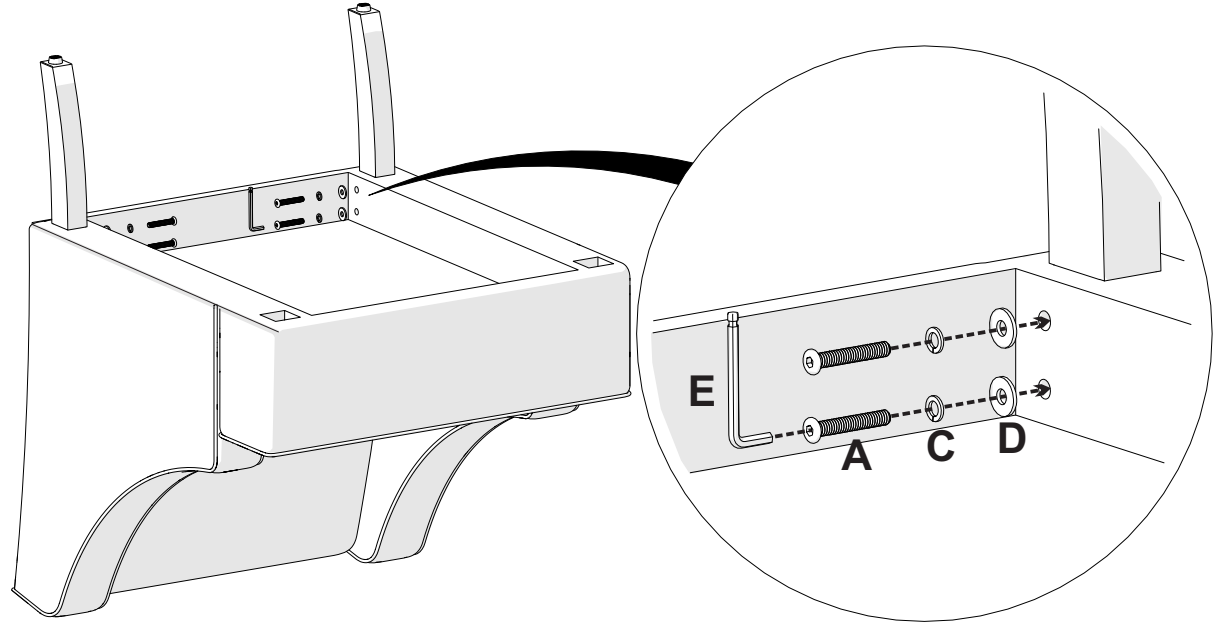


# step 1.

1

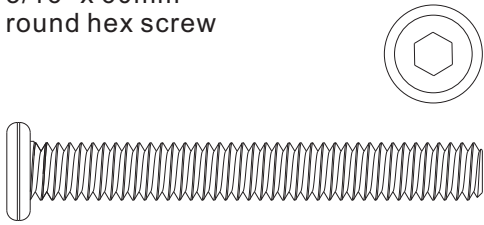


2



(A) x 4

5/16" x 60mm  
round hex screw



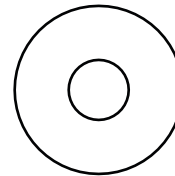
(C) x 4

Φ 8mm lock washer



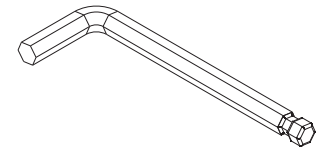
(D) x 4

Φ 22mm flat washer



(E) x 1

5mm Ball end  
Hex wrench

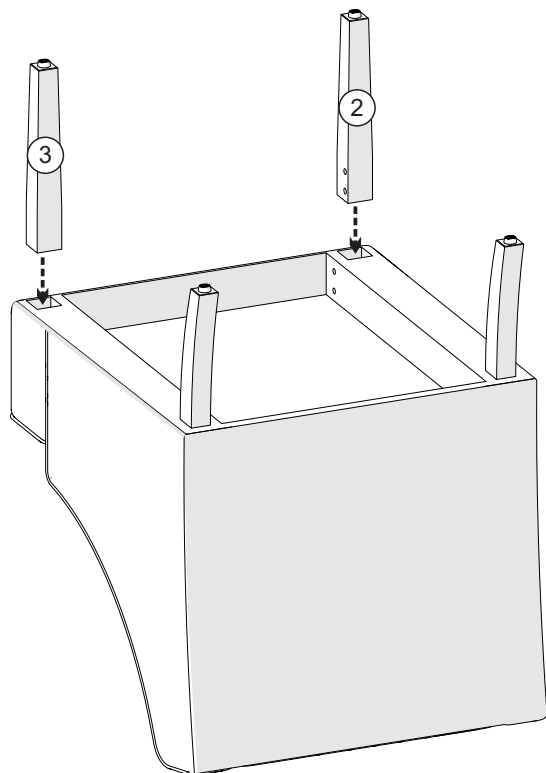


Please do not assemble with power tools

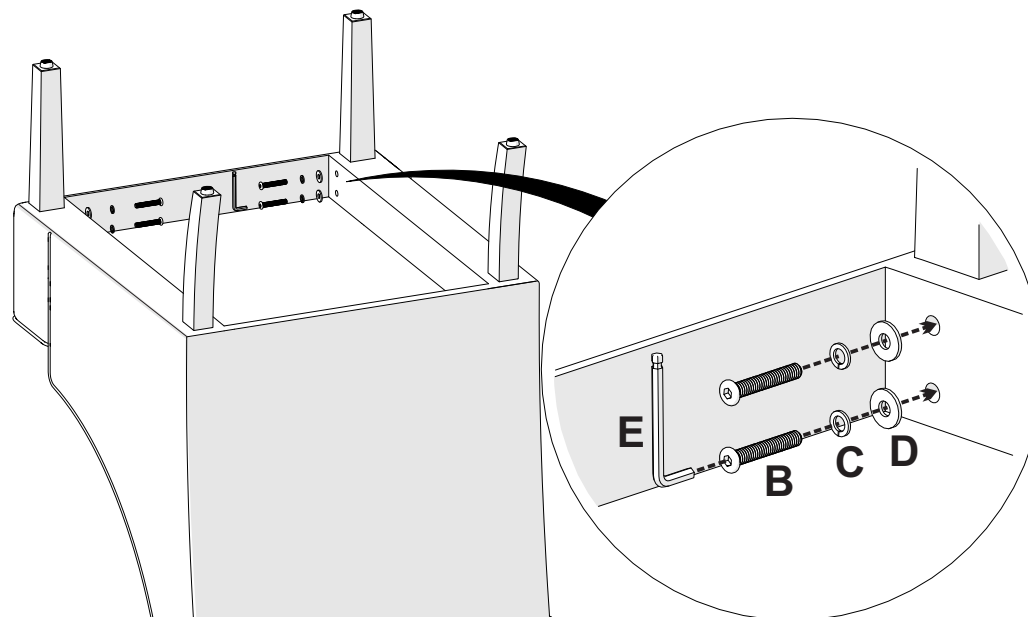
# step 2.

---

1



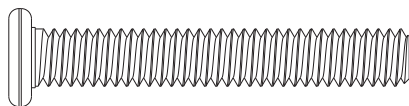
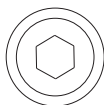
2



---

(B) x 4

5/16" x 50mm  
round hex screw



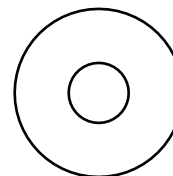
(C) x 4

Φ 8mm lock washer



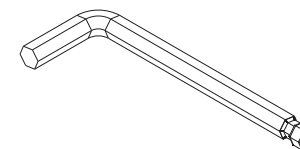
(D) x 4

Φ 22mm flat washer



(E) x 1

5mm Ball end  
Hex wrench



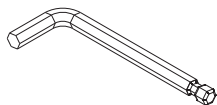
Please do not assemble with power tools

## step 3.

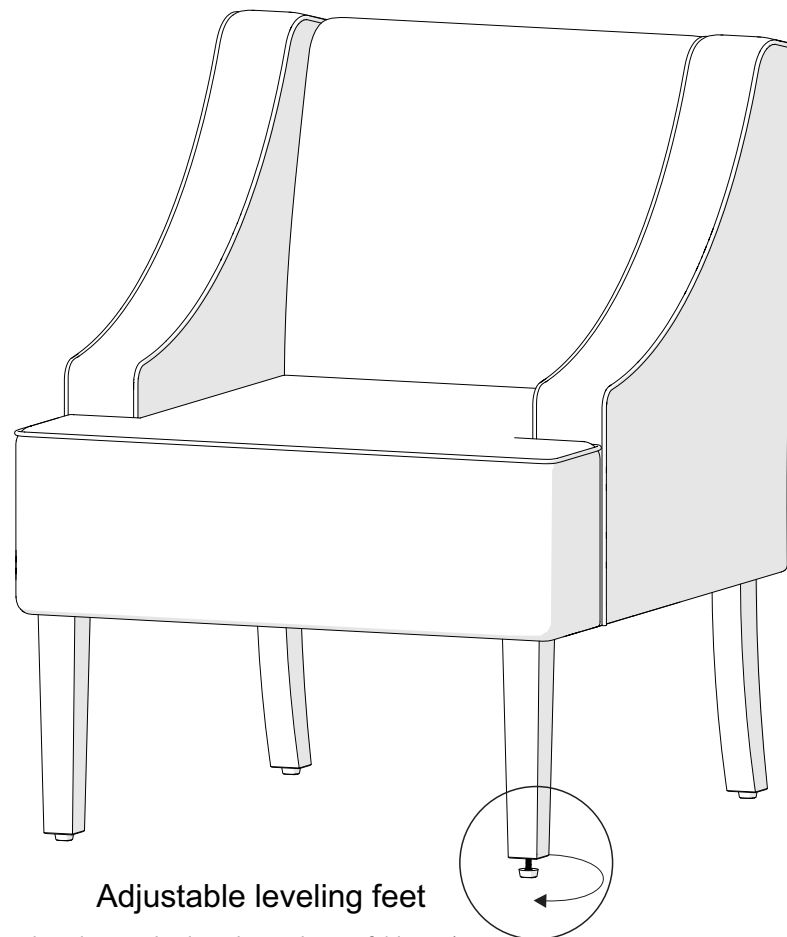
---

A friendly reminder from us:

Please keep the Allen wrench.



After a period of time, there may be a chance the KD furniture may become loose, please use an Allen wrench to tighten the loose bolts.



Adjustable leveling feet

( This part is already attached on the end cap of 4 legs. )

---

Level the furniture, use leveling feet if needed.