

ASSEMBLY INSTRUCTIONS



CAUTION

◆ Inspect the wire insulation for any cuts, abrasions, or exposed copper that may have resulted during shipping. If there is a defect in the wire, do not attempt installation.

◆ Before starting installation of this fixture or removal of a previous fixture, disconnect the power by turning off the circuit breaker or by removing the fuse at the fuse box.

TOOLS REQUIRED



Ladder



Safety glasses



Electrical tape



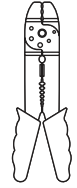
Phillips screwdriver



Flat blade screwdriver



Pliers

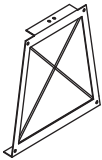


Wire strippers

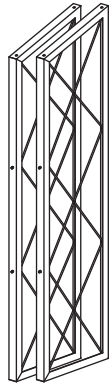
HARDWARE INCLUDED



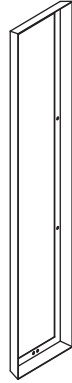
Fixture



Iron Rack A



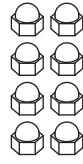
Iron Rack B



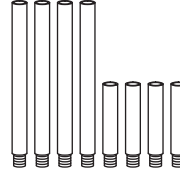
Iron Rack C



Screws



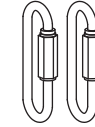
Nuts



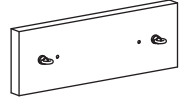
Stems



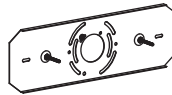
Finial



Quick Link



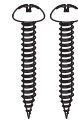
Ceiling Plate



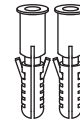
Mounting Unit



Ball Nuts



Wood Screws



Plastic Anchors



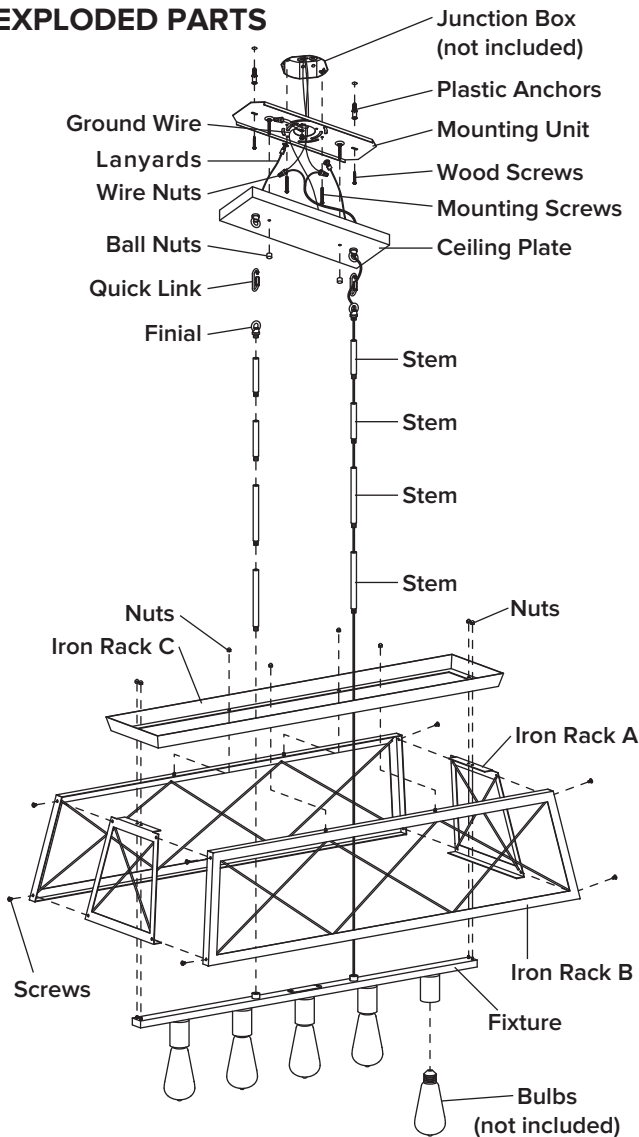
Mounting Screws



Wire Nuts

*** PARTS SHOWN MAY DIFFER SLIGHTLY PER LIGHT FIXTURE**

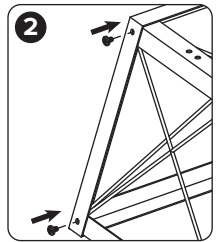
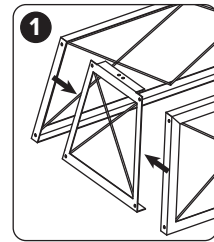
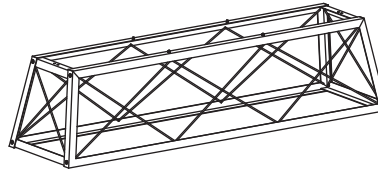
EXPLODED PARTS



INSTALLATION

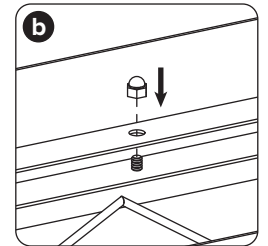
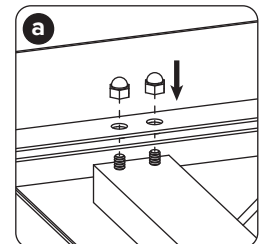
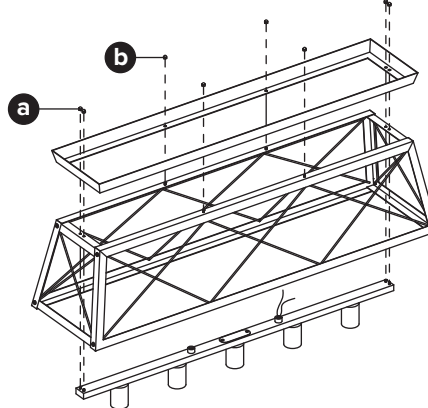
STEP 1

Attach the **iron rack A** to **iron rack B** using **screws**.



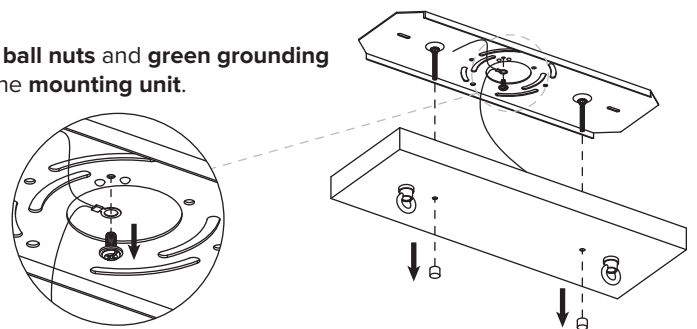
STEP 2

Attach the **iron rack C** to **iron rack B** using **nuts**. Attach the **fixture** to **iron rack A** using **nuts**.



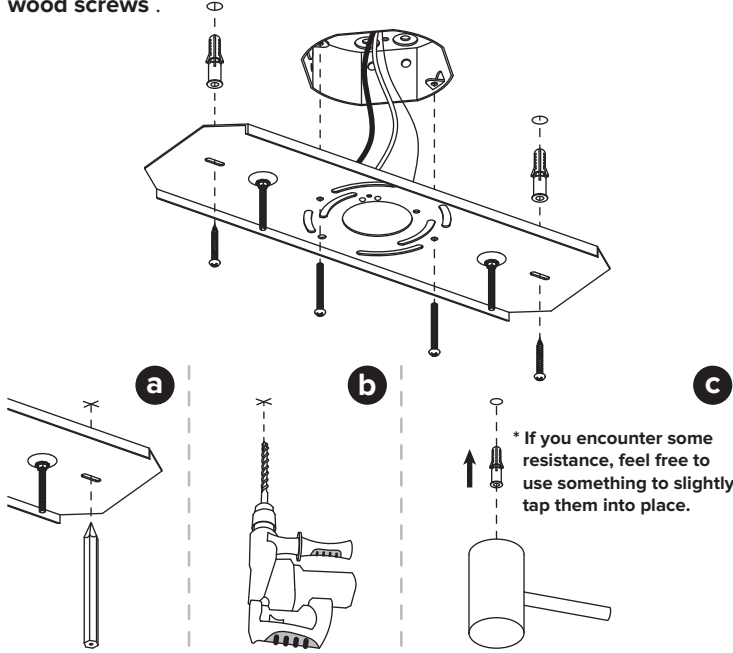
STEP 3

Unscrew the **ball nuts** and **green grounding screw** from the **mounting unit**.



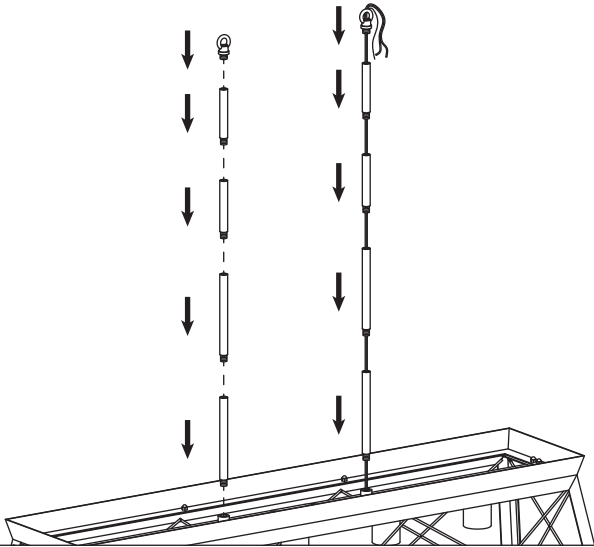
STEP 4

- Place the **mounting unit** in the desired position and mark the drilling position with a pencil. Note: Ensure that the **mounting unit** can be fitted to the junction box (not included) with **mounting screws**.
 - Using a 5/16 " (8mm) drill bit (not included), drill holes in the marked areas.
 - Insert the **plastic anchors** into the drilled holes.
- Next, Attach the **mounting unit** to the junction box (not included) using the **mounting screws**. Secure **mounting unit** to ceiling with **wood screws**.



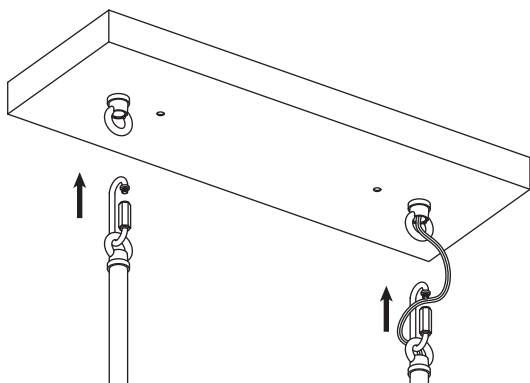
STEP 5

- Pass the fixture wire and fixture ground wire through the **stems** and **finial**.
- Install **finial** and **stems** into the **fixture**.



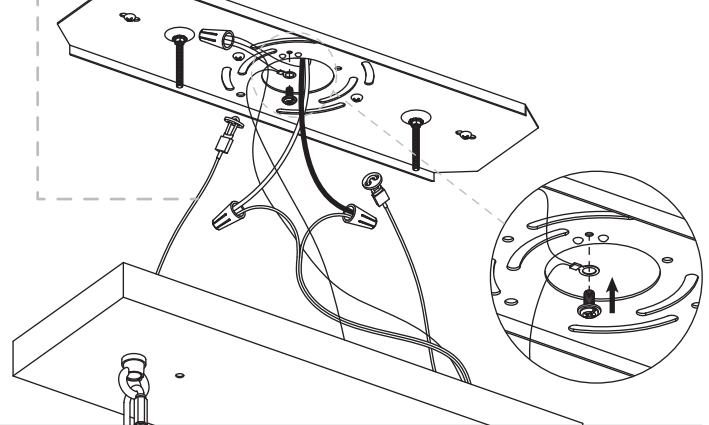
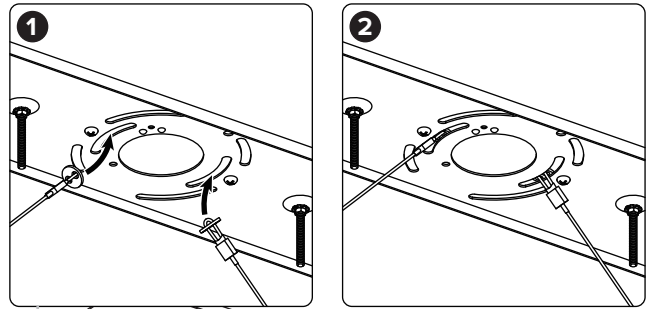
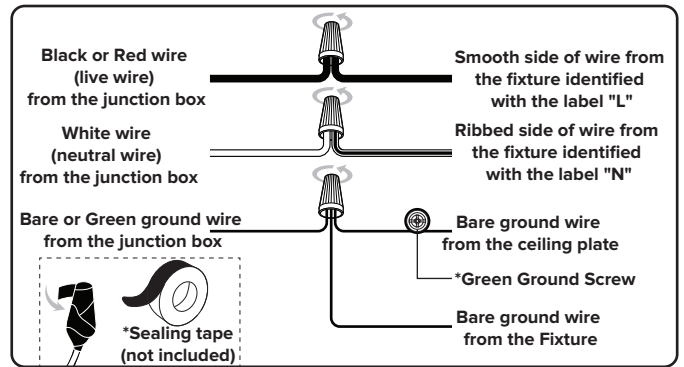
STEP 6

- Pass the fixture wire and fixture ground wire through the **ceiling plate**.
- Open the **quick link**. Then attach it to the **ceiling plate** and **finial**, close the **quick link**.



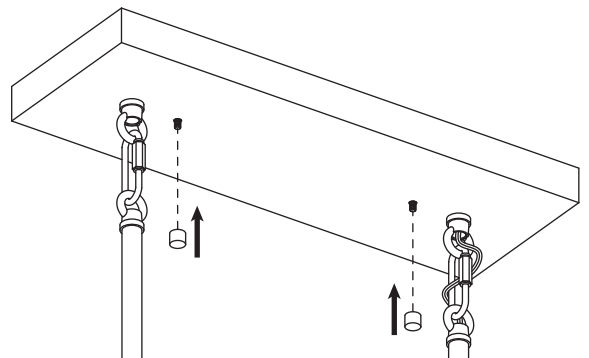
STEP 7

- Attach the **lanyards** on to the **mounting unit**.
- Make the electrical connection from the junction box (not included) to the **fixture**. Connect the **ground wire** to the **mounting unit** using the preinstalled green ground screw. Next, connect the live wire, neutral wire and ground wires with the supplied **wire nuts**. Secure with electrical tape.



STEP 8

- Attach the **ceiling plate** to the **mounting unit** through screw holes as shown, and secure it with **ball nuts**.



STEP 9

- Install bulbs (not included).

