

Pop Up Canopy

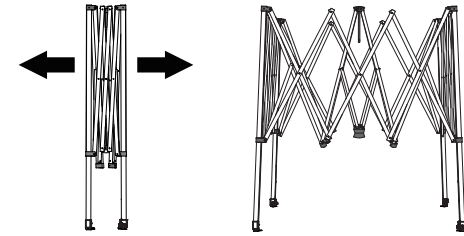
10 ft x 10ft instant

INSTRUCTION MANUAL

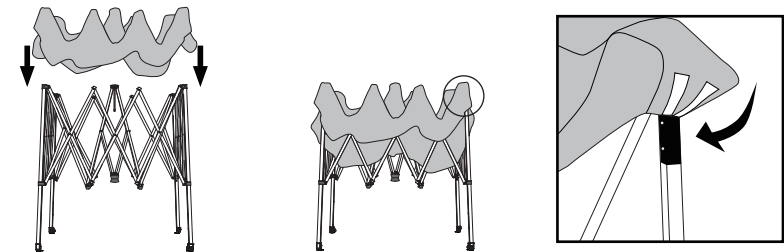


SET UP THE CANOPY

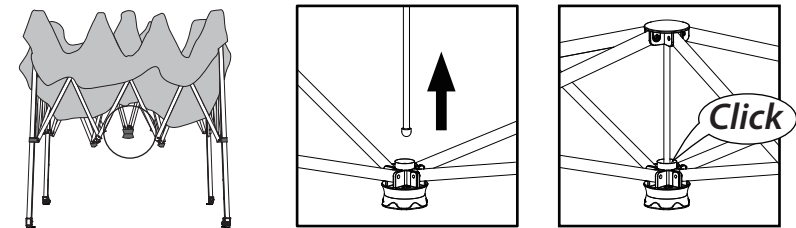
1 OPENING THE CANOPY FRAME



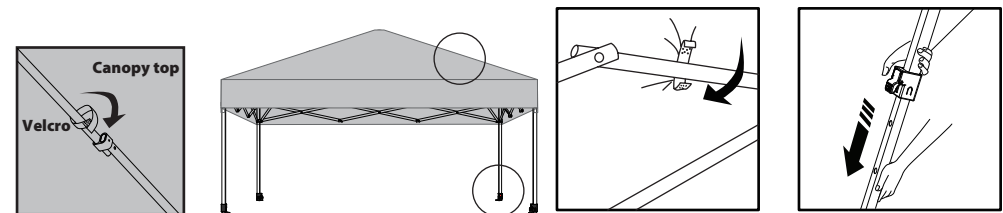
2 ATTACHING THE CANOPY TOP



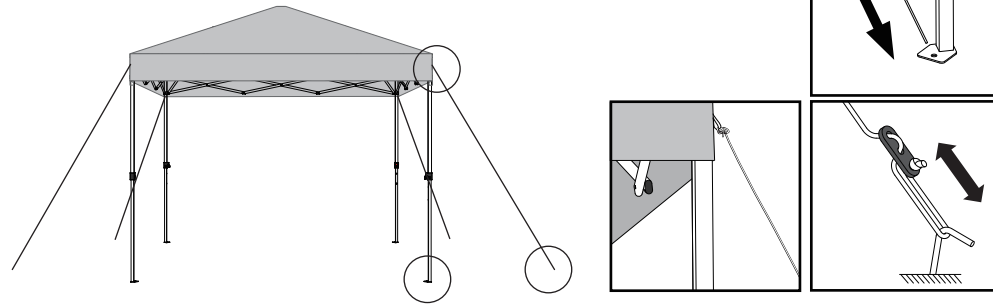
3 LOCKING THE FRAME



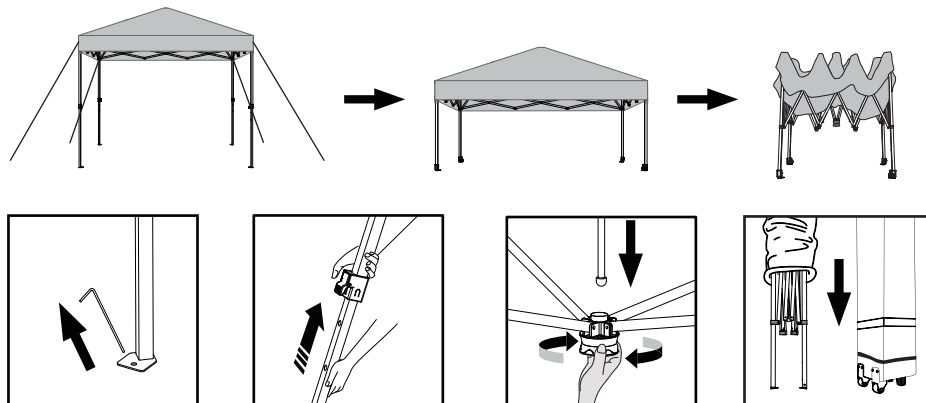
4 ADJUSTING THE CANOPY HEIGHT



5 SECURING THE CANOPY IN PLACE



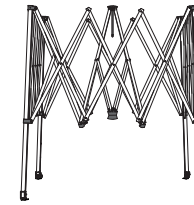
TAKE DOWN THE CANOPY



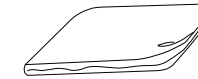
- Pull up all stakes from the ground. Press the push button on each leg and retract the legs to their original height.
- Get in the underneath of canopy, rotate counterclockwise the central bottom hub to unlock the frame.
- Lift one corner of the frame until all legs are raised off the ground except for the 1 leg on the opposite corner. Push inward until the frame is fully closed.
- With the canopy feet facing the rollers, slide the wheeled storage bag over the closed canopy frame. Close the zipper on the wheeled storage bag.

REPLACEMENT PARTS

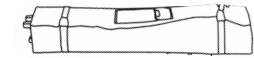
Parts List



Canopy Frame (1pc)

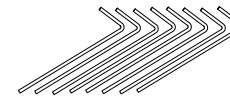


Canopy Top (1pc)



Carry Bag (1pc)

Hardware



Stake (8pcs)



Rope (4pcs)