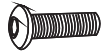


ASSEMBLY INSTRUCTION

Ax2



M6x16mm

Dx1

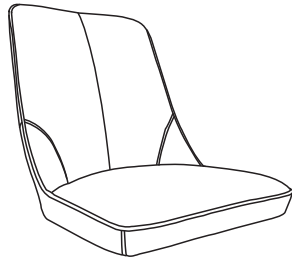


Bx4



M6x45mm

Ex1

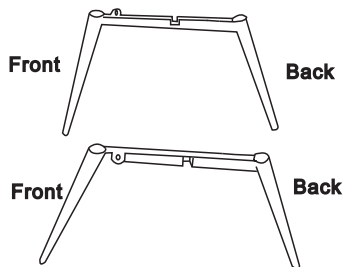


Cx1

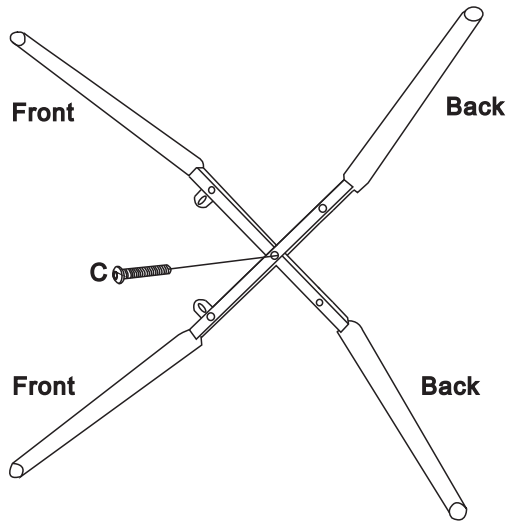


M6x30mm

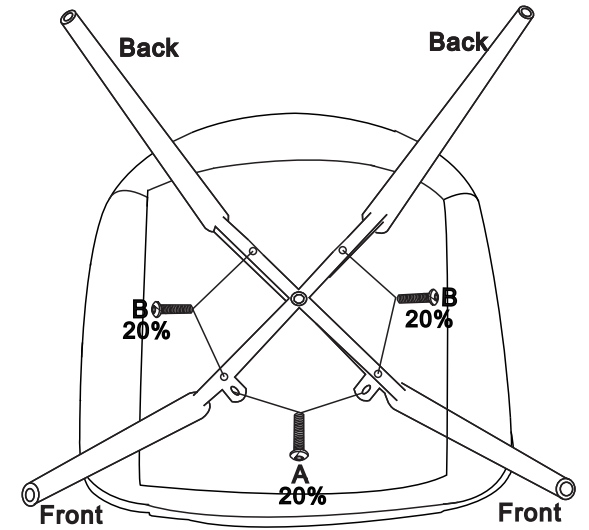
Fx1



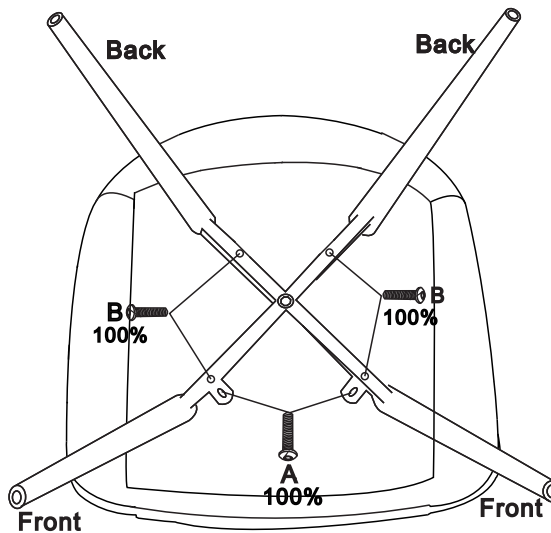
1



2



3



4

