

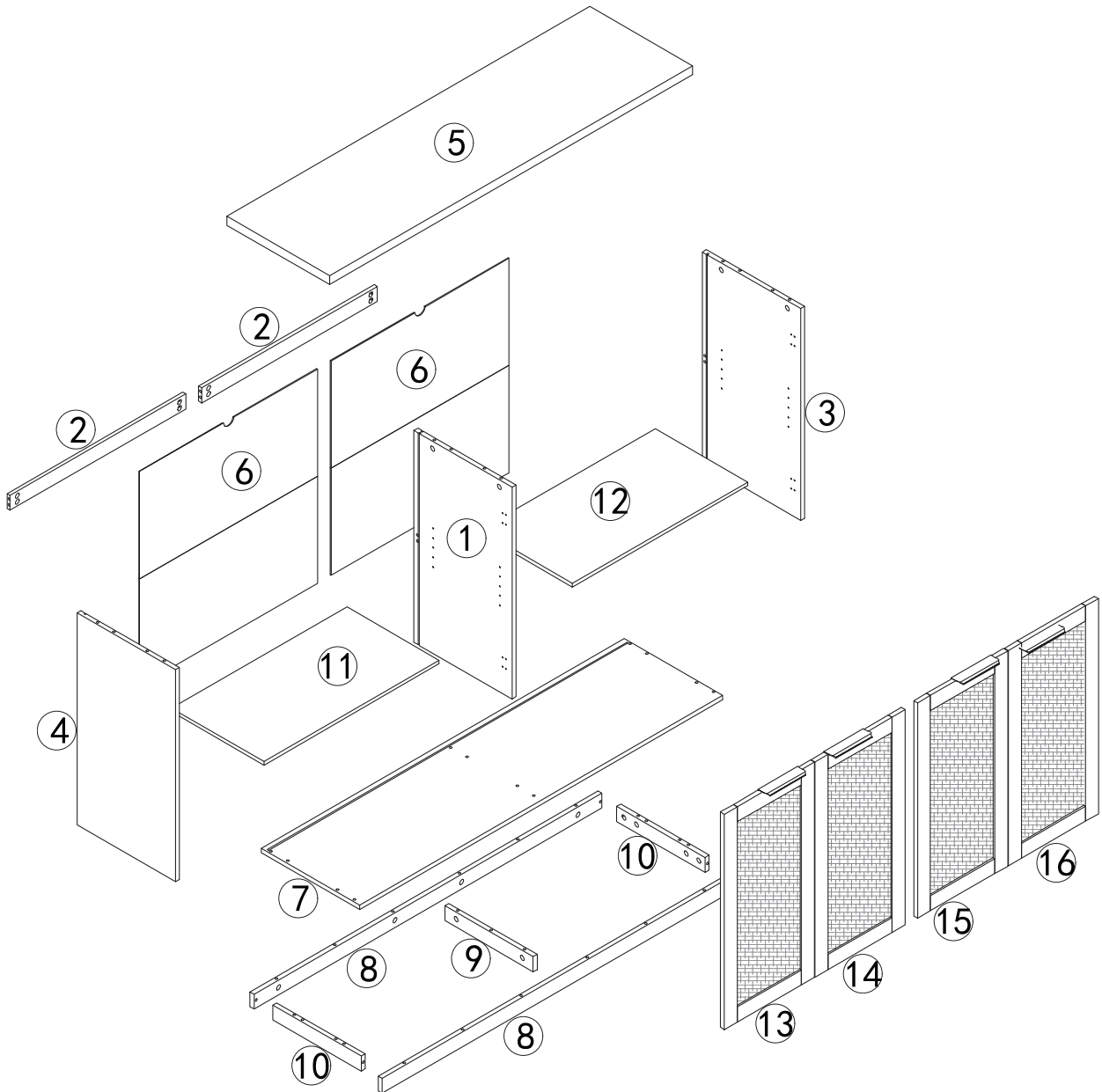
BOHO SIDEBOARD

USER MANUAL

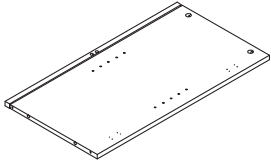
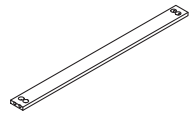
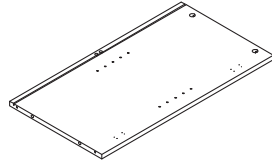
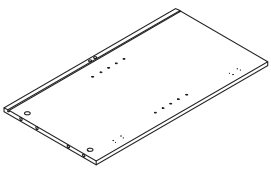
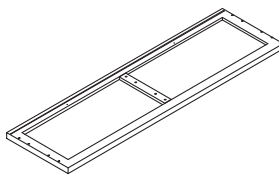
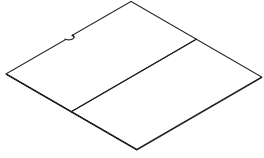
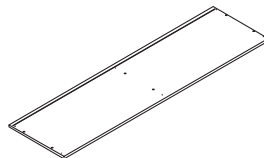
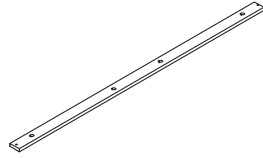
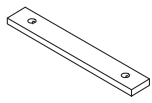
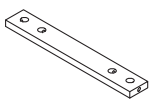
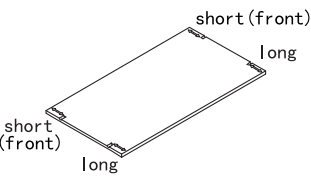
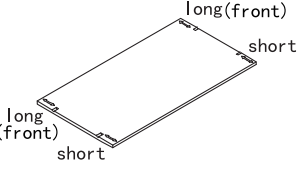
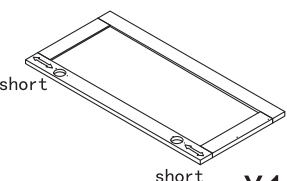
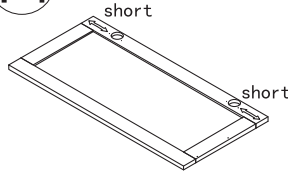
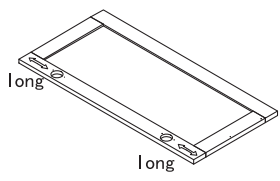
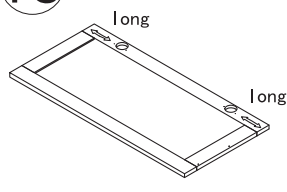
MODEL: SKUL01972

1

ASSEMBLY INSTRUCTIONS

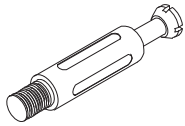


PACKAGING LIST

<p>①</p>  <p>X1</p>	<p>②</p>  <p>X2</p>	<p>③</p>  <p>X1</p>	<p>④</p>  <p>X1</p>
<p>⑤</p>  <p>X1</p>	<p>⑥</p>  <p>X2</p>	<p>⑦</p>  <p>X1</p>	<p>⑧</p>  <p>X2</p>
<p>⑨</p>  <p>X1</p>	<p>⑩</p>  <p>X2</p>	<p>⑪</p>  <p>X1</p>	<p>⑫</p>  <p>X1</p>
<p>⑬</p>  <p>X1</p>	<p>⑭</p>  <p>X1</p>	<p>⑮</p>  <p>X1</p>	<p>⑯</p>  <p>X1</p>

3

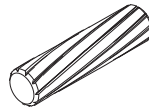
PACKAGING LIST



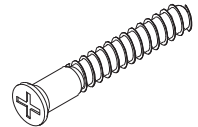
(A) 32+3X



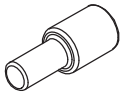
(B) 32+3X



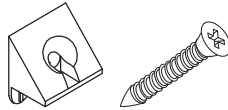
(C) 21+2X



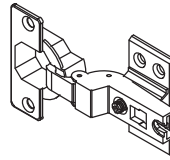
(D) 6X



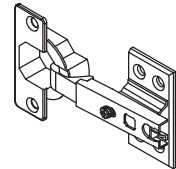
(E) 8X



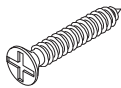
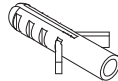
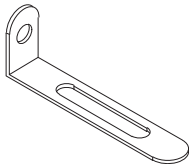
(F) 12X



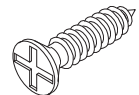
(G) 4X



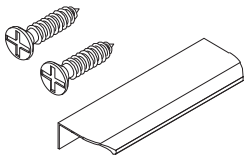
(H) 4X



(I) 2X



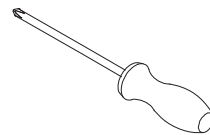
(J) 48+3X



(K) 4X



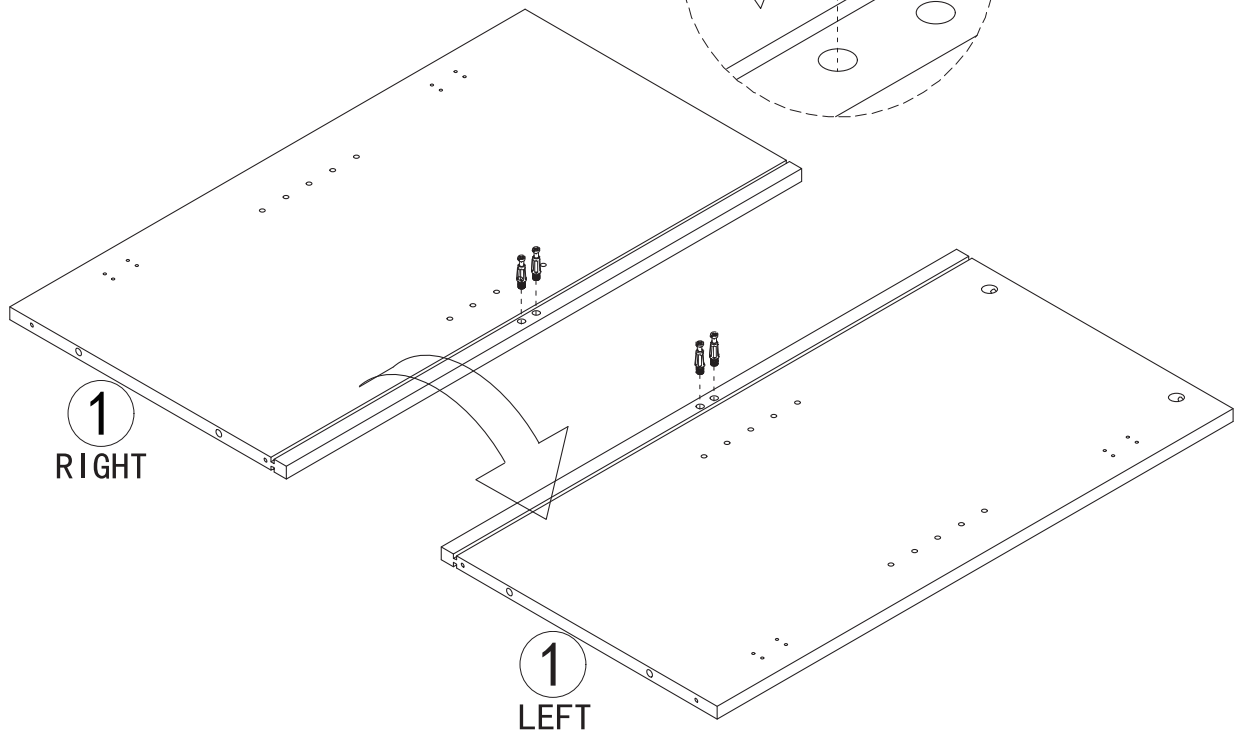
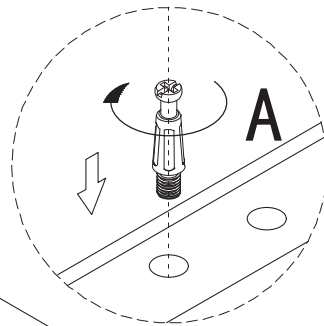
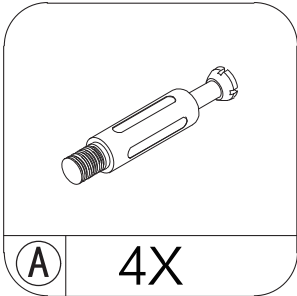
(L) 7X



(M) 1X

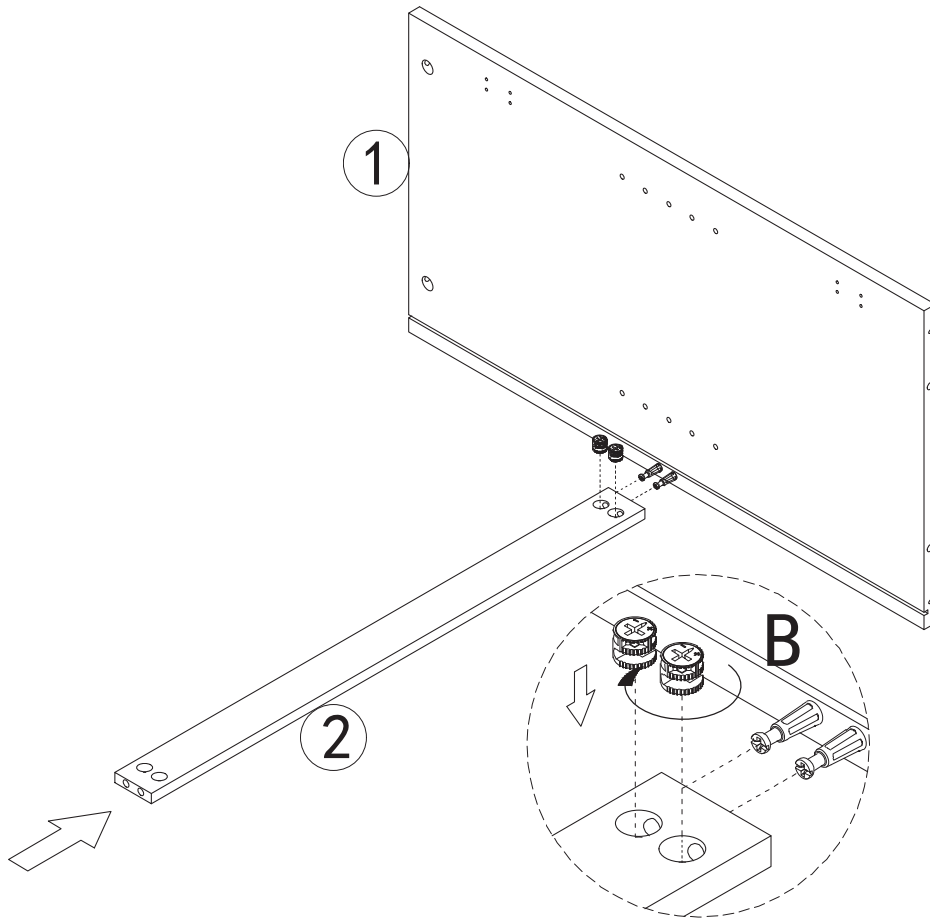
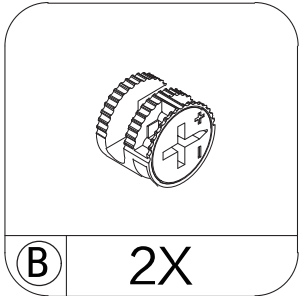
4

STEP 1



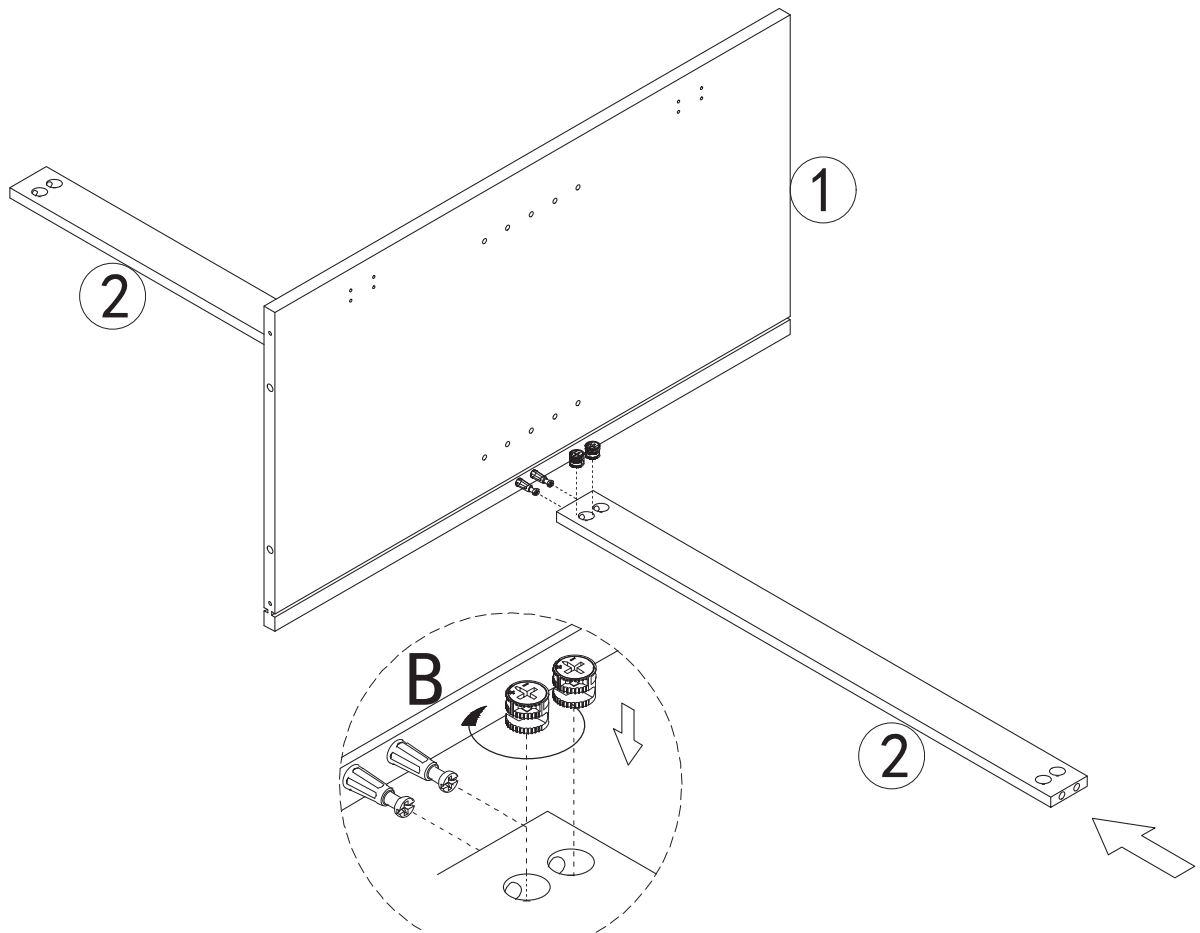
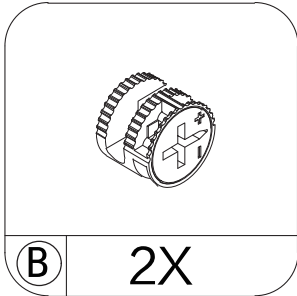
5

STEP 2



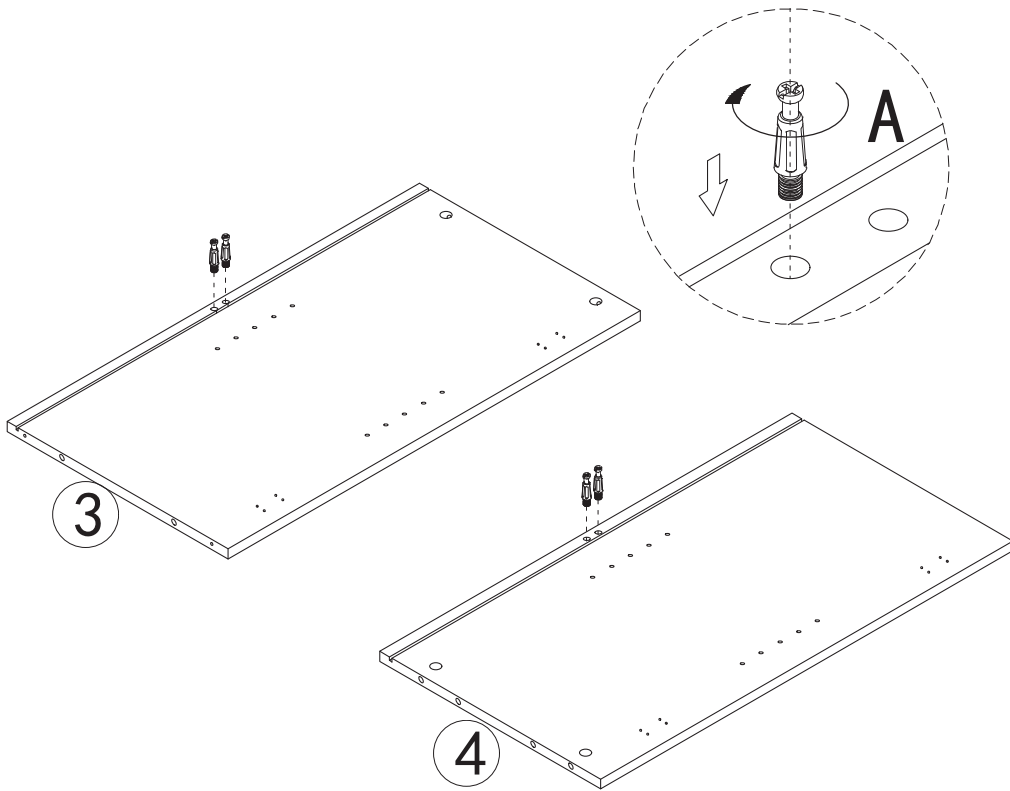
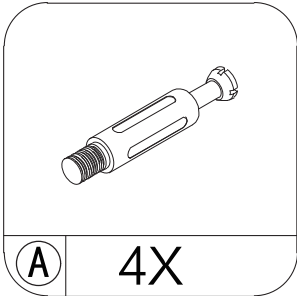
6

STEP 3



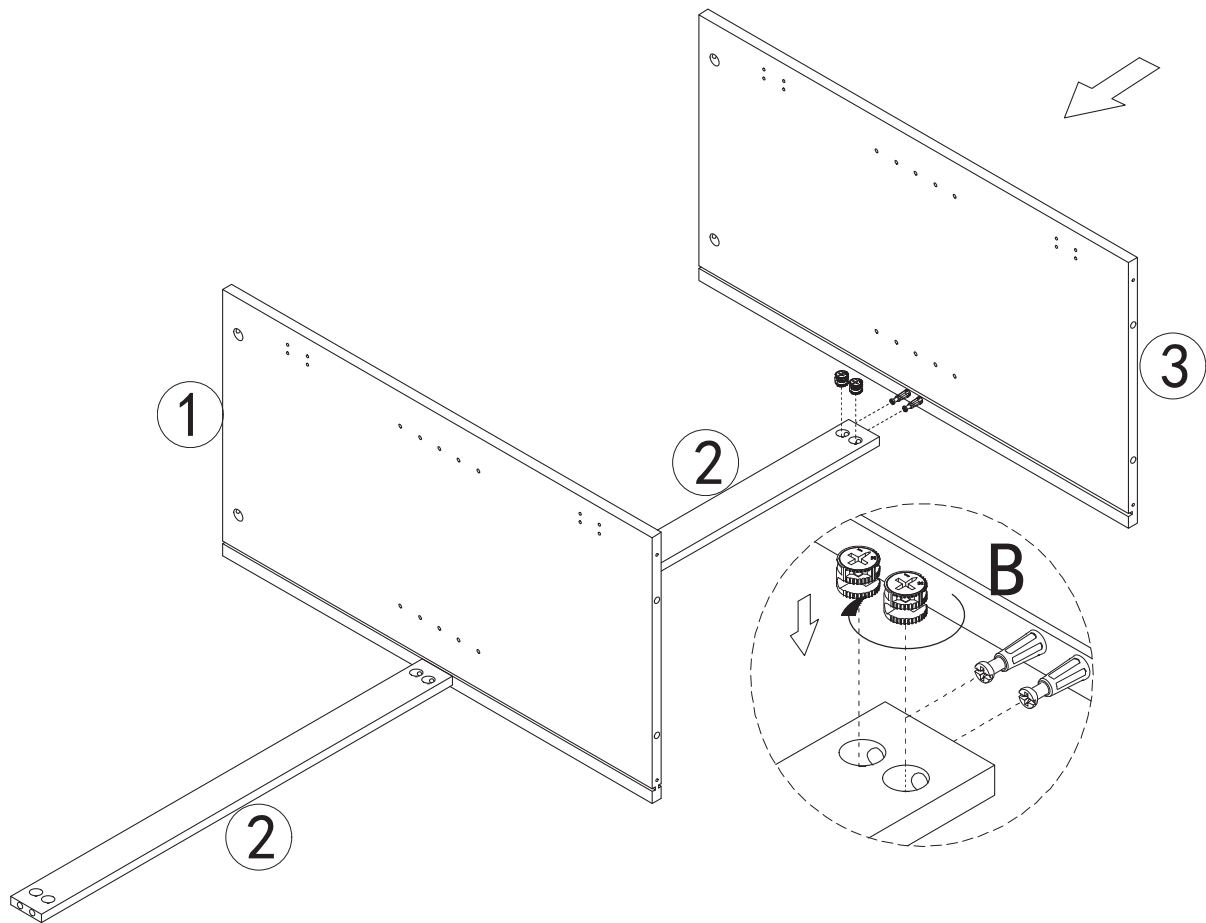
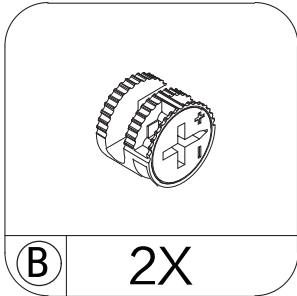
7

STEP 4



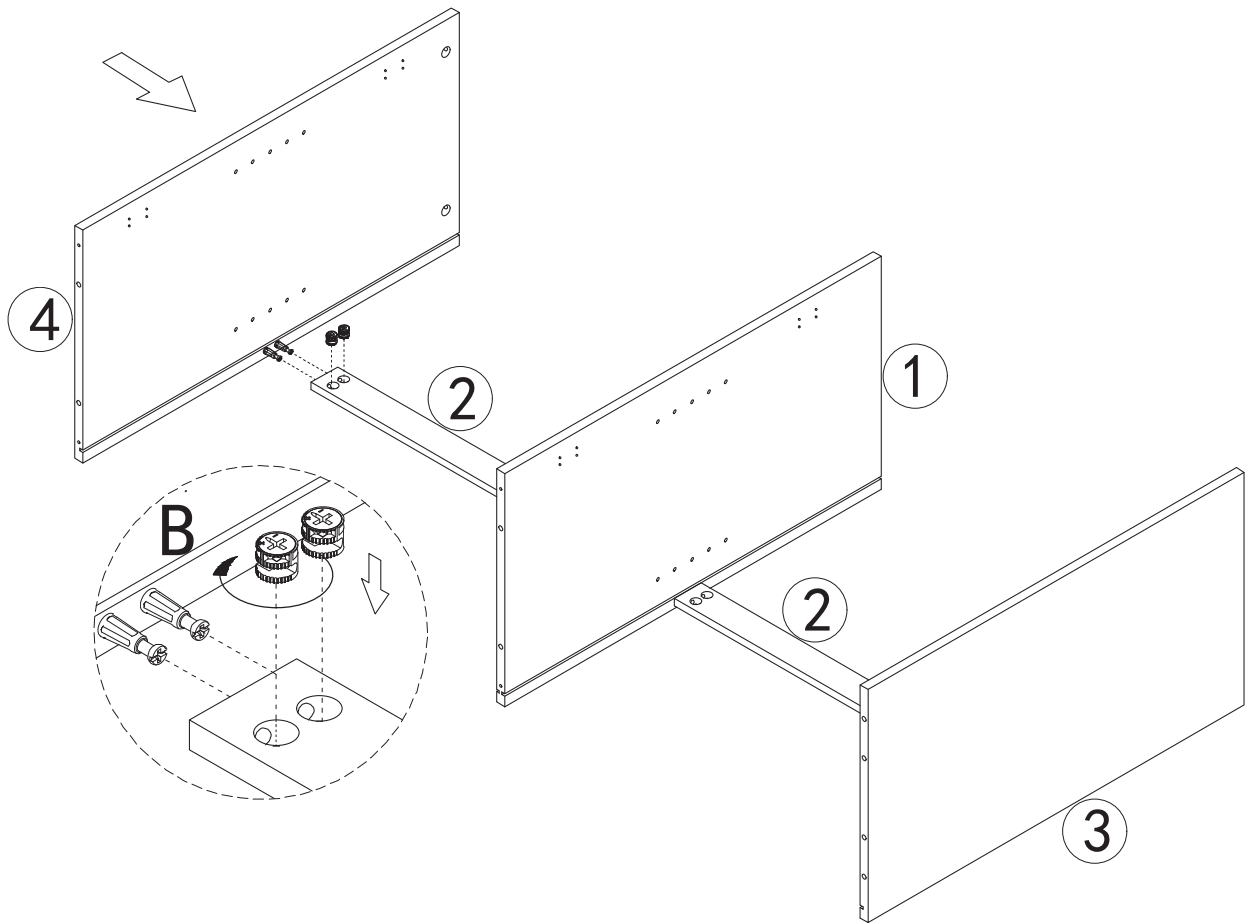
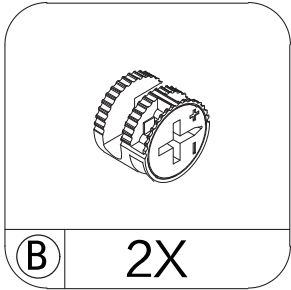
8

STEP 5



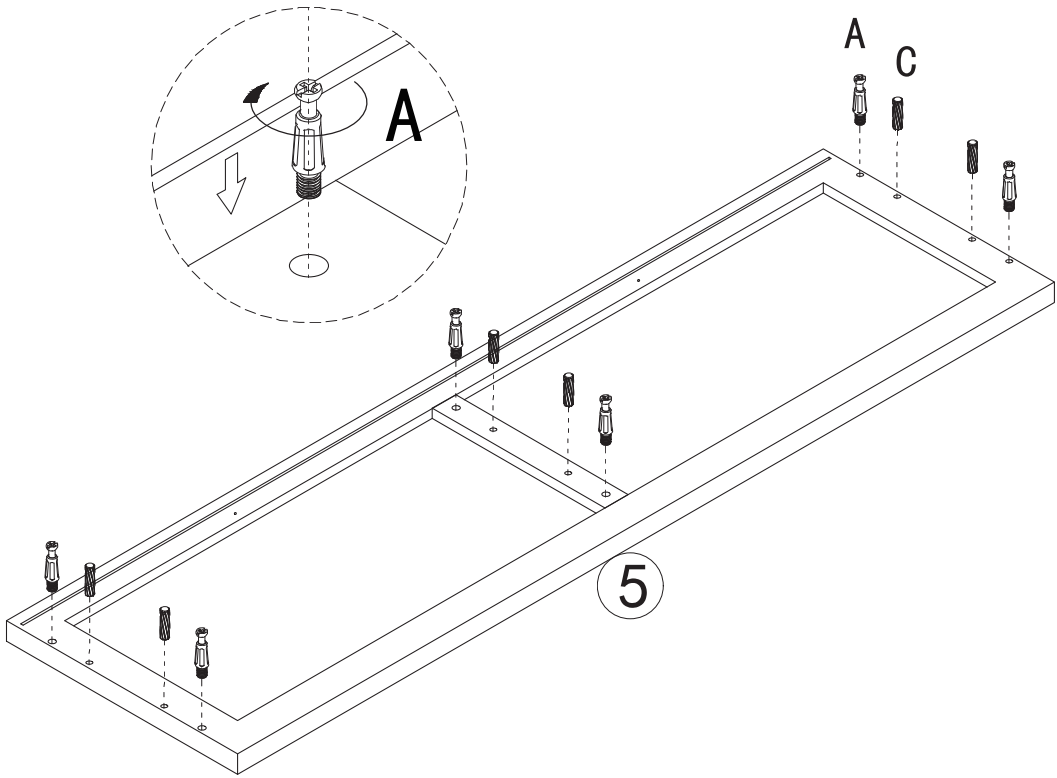
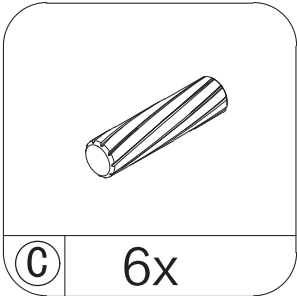
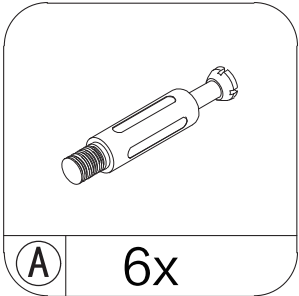
9

STEP 6



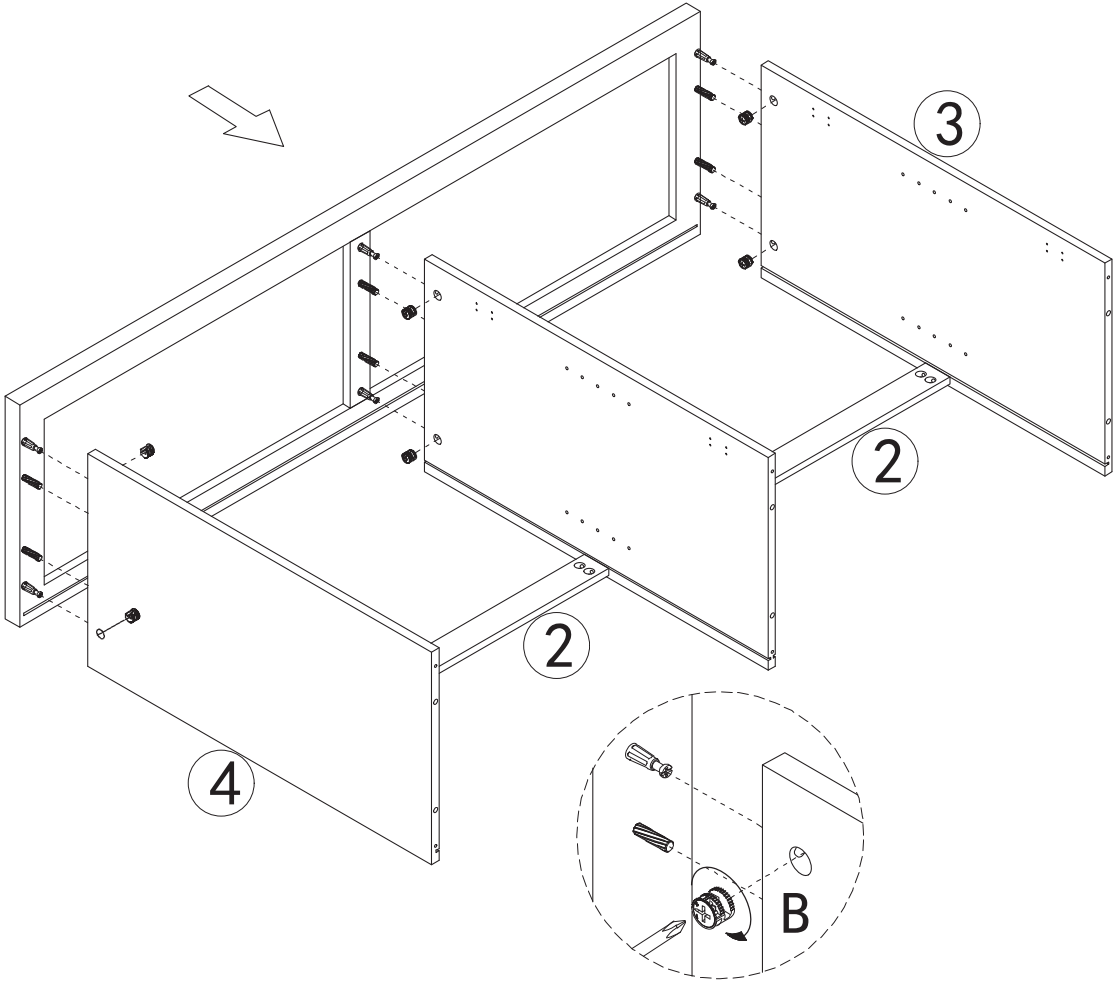
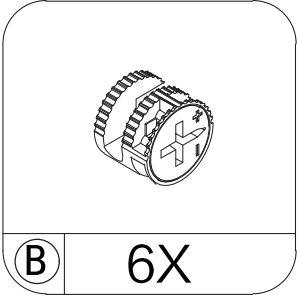
10

STEP 7



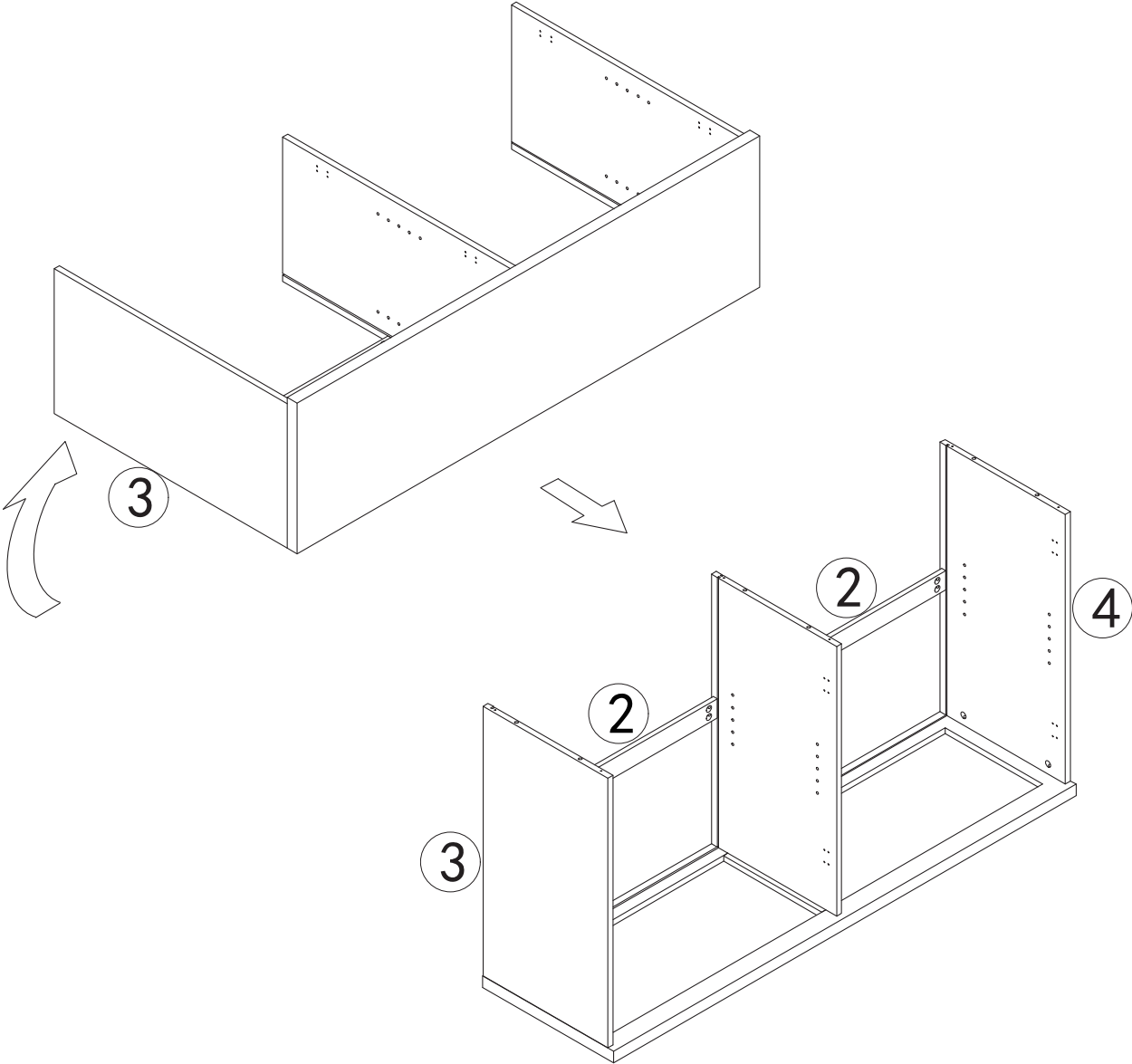
11

STEP 8



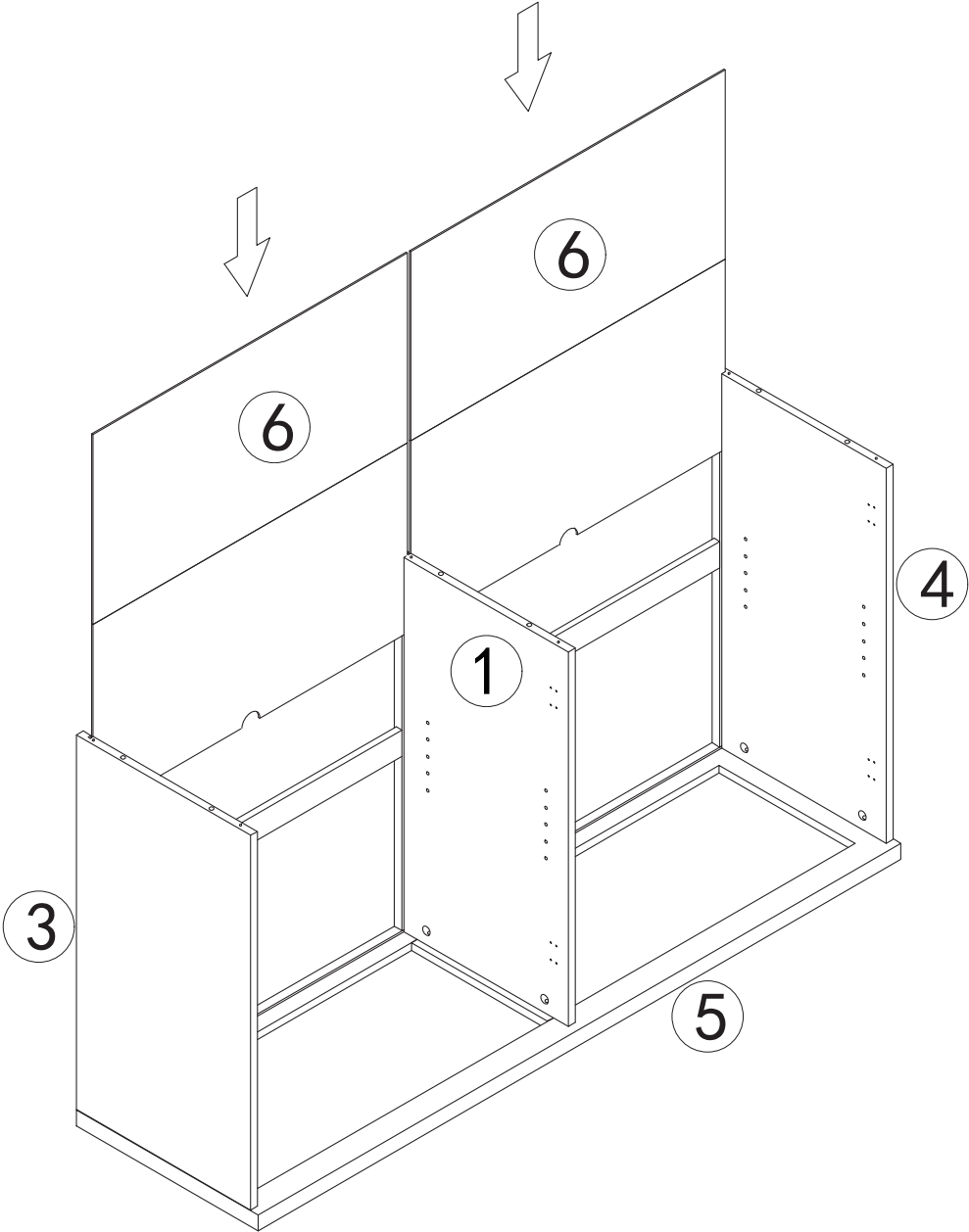
12

STEP 9



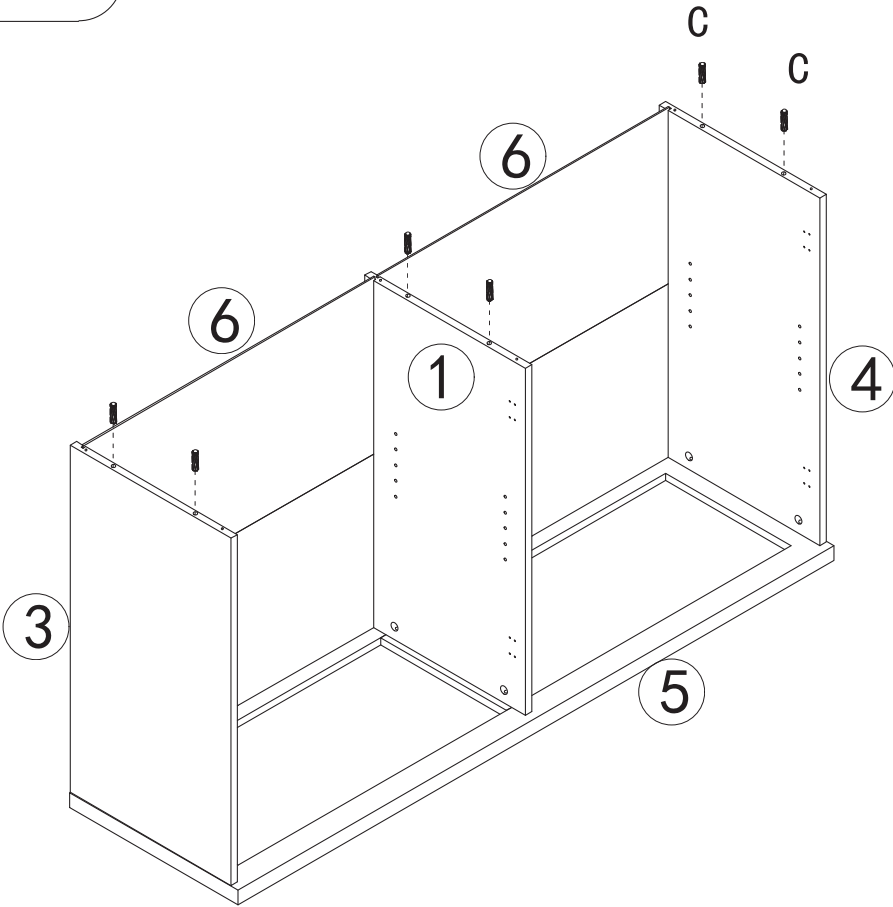
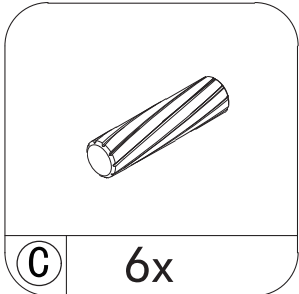
13

STEP 10



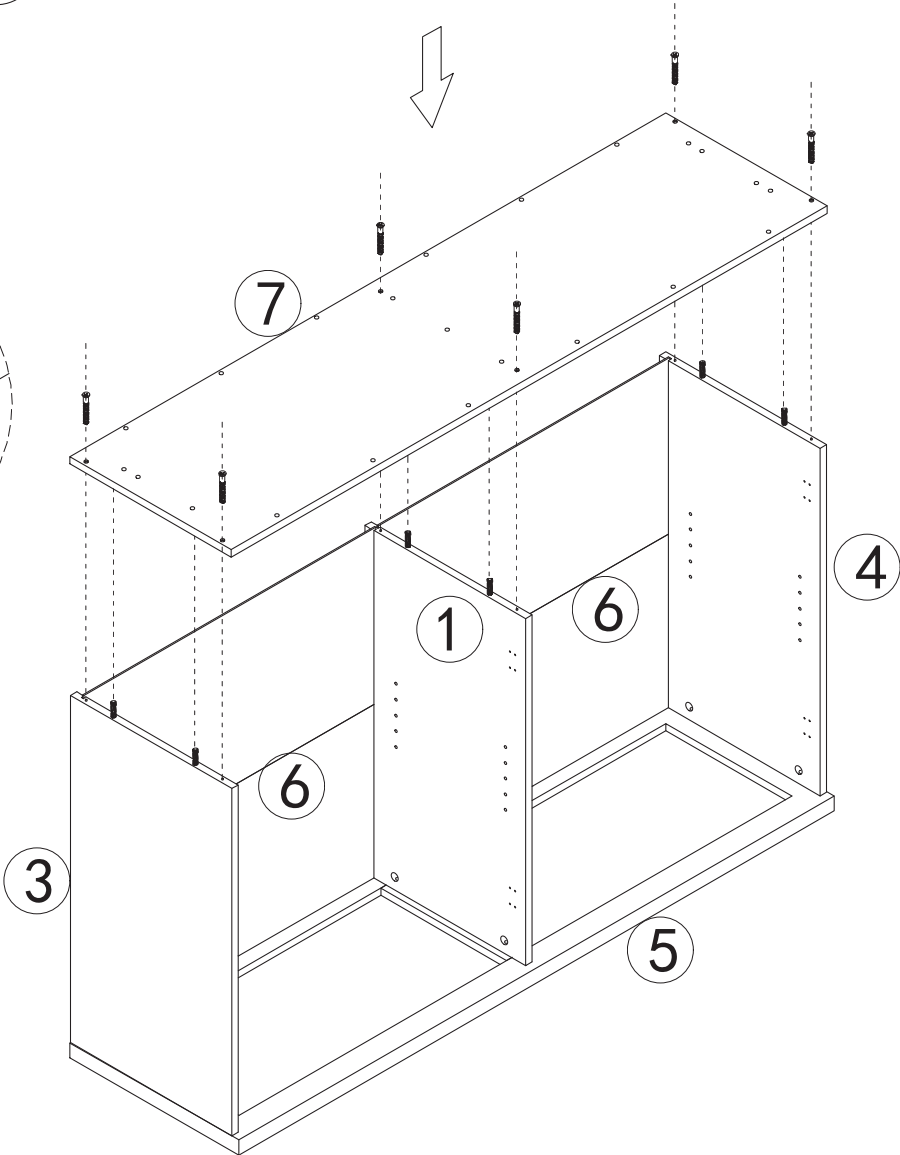
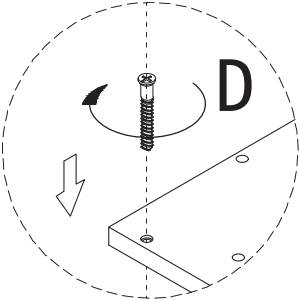
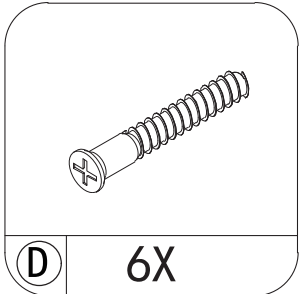
14

STEP 11

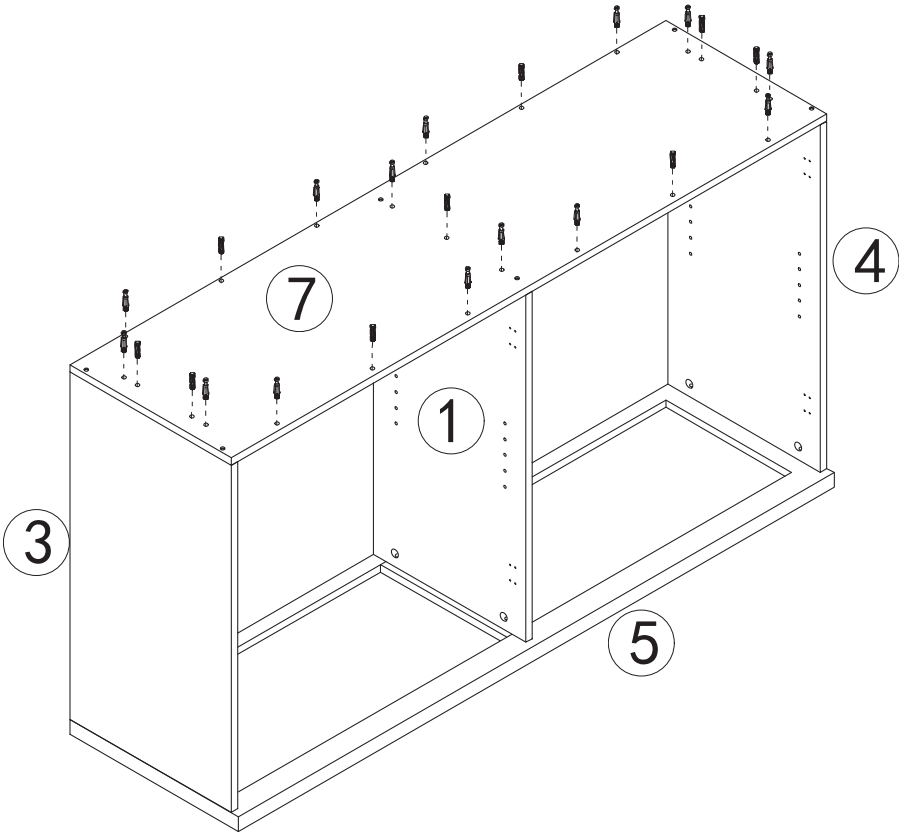
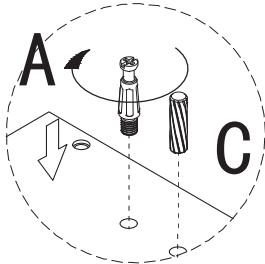
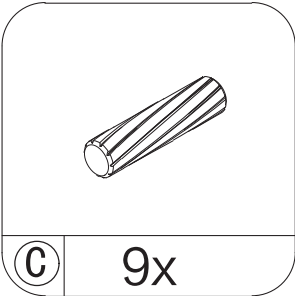
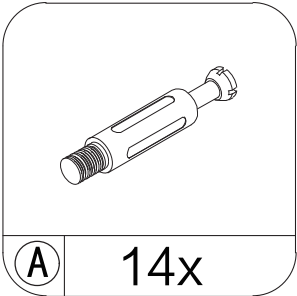


15

STEP 12

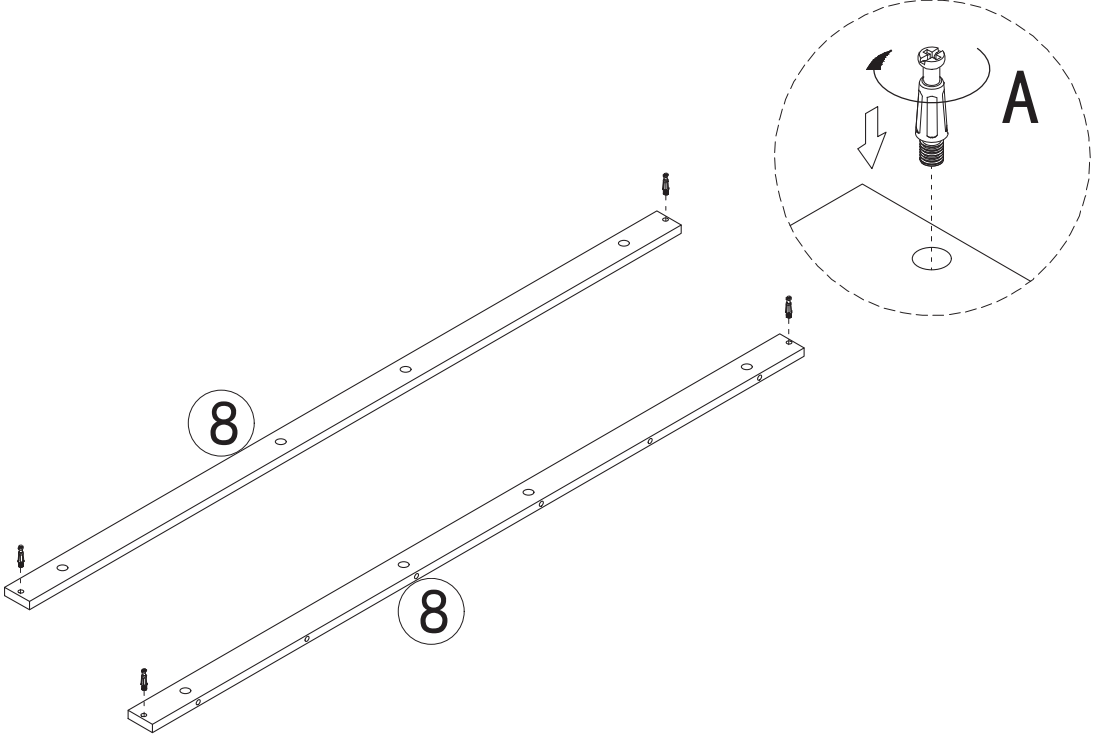
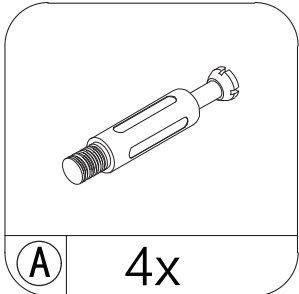


STEP 13

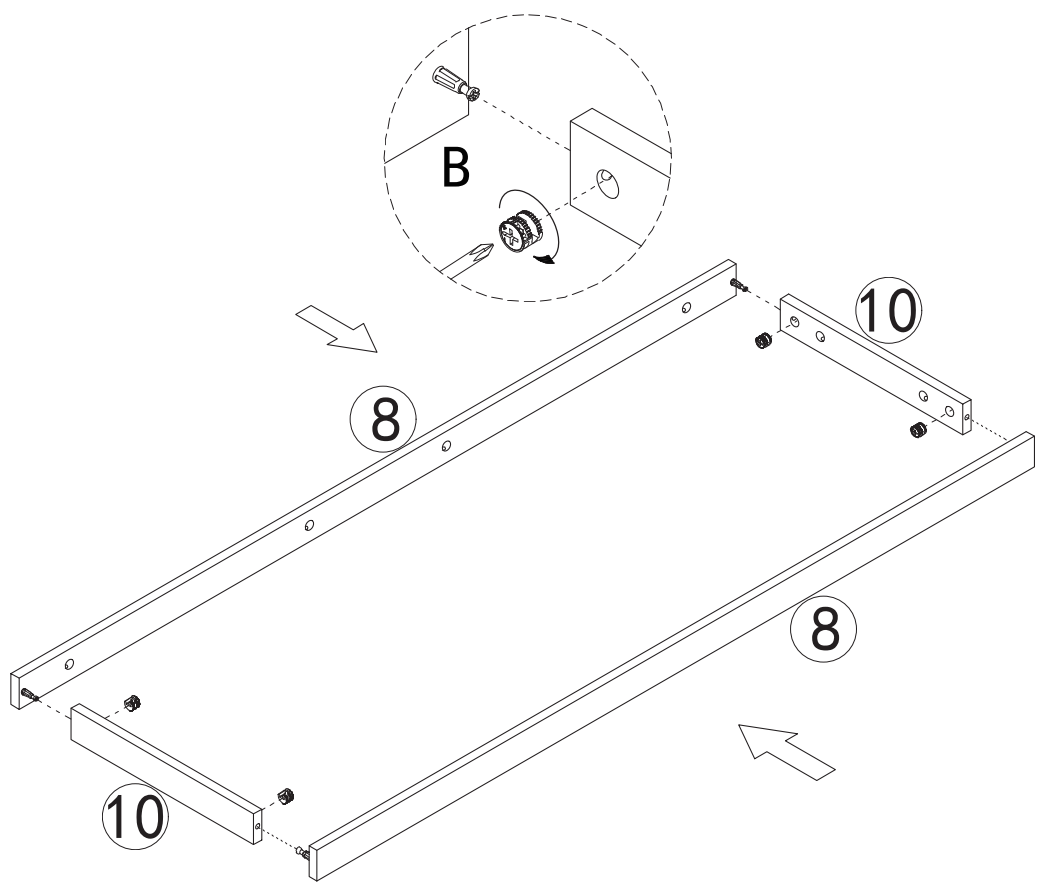
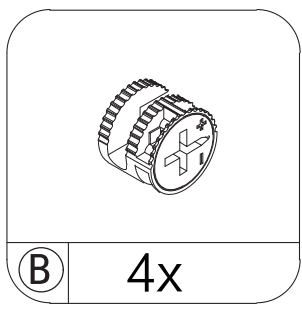


17

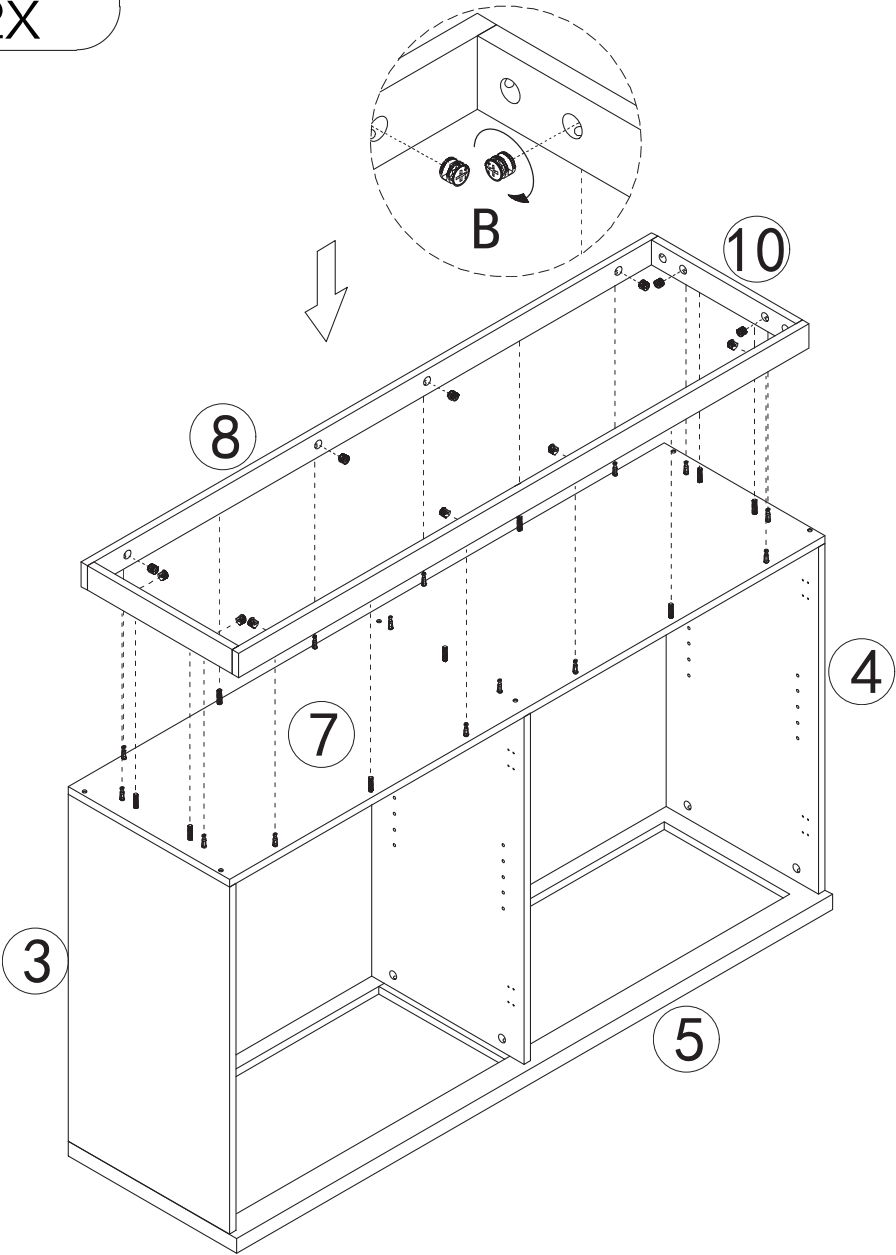
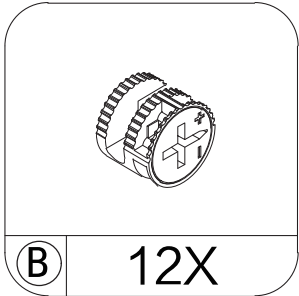
STEP 14



STEP 15

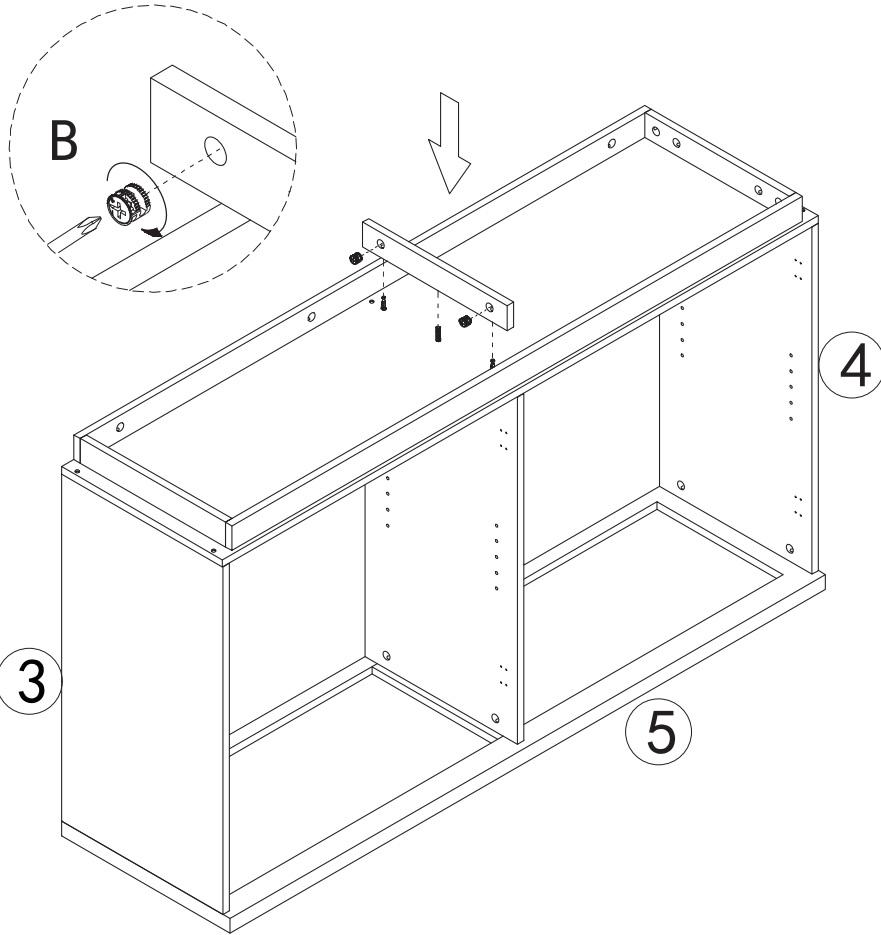
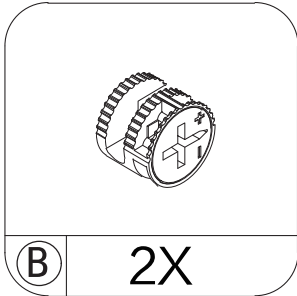


STEP 16



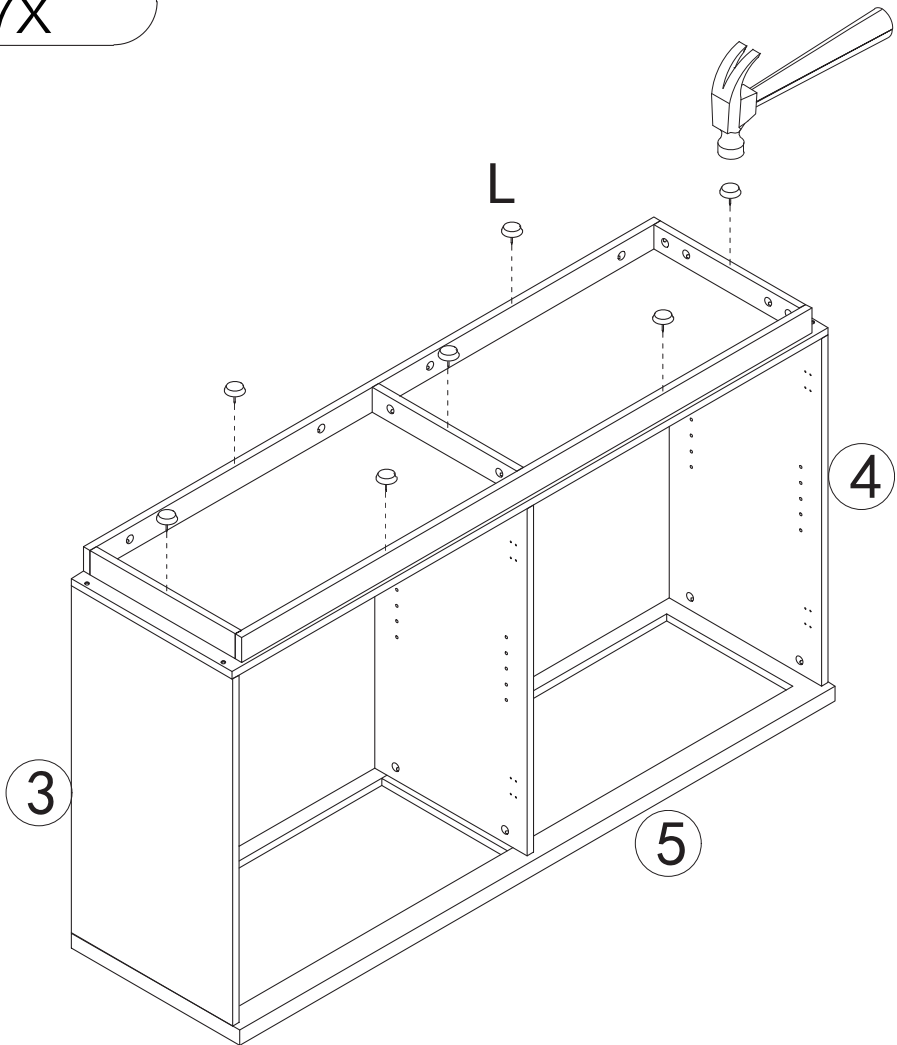
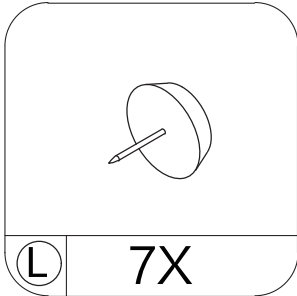
20

STEP 17

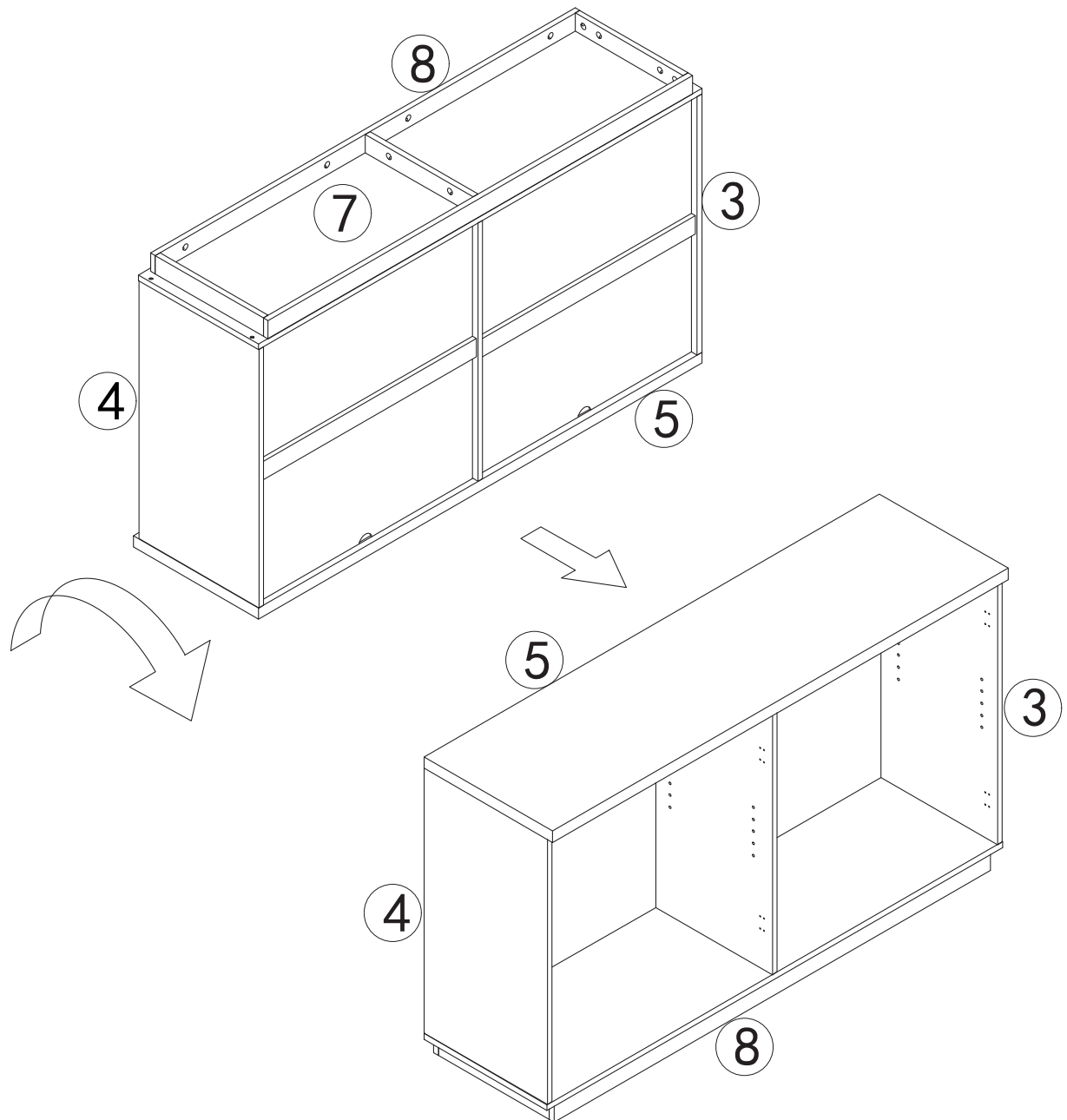


21

STEP 18

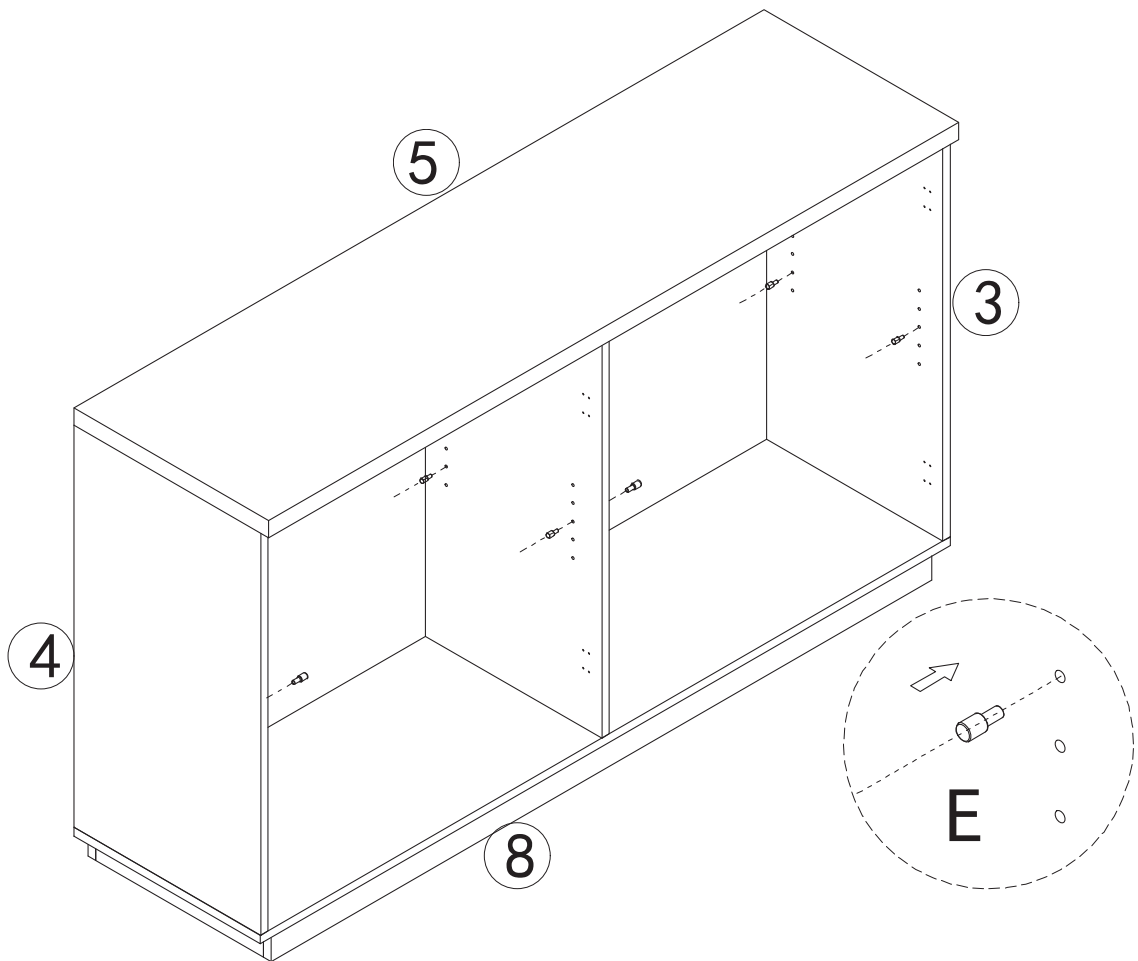
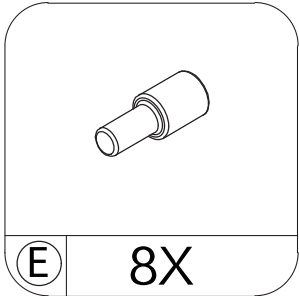


STEP 19

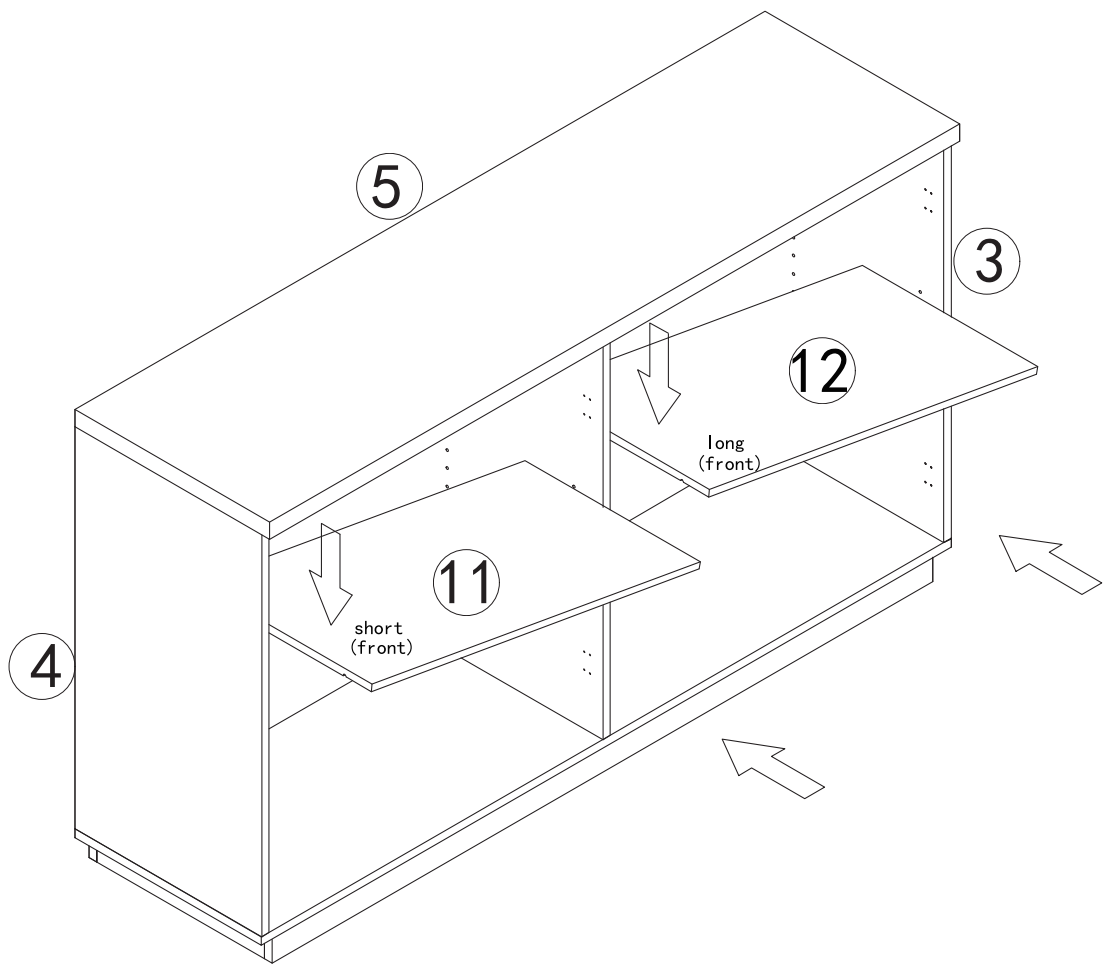


23

STEP 20

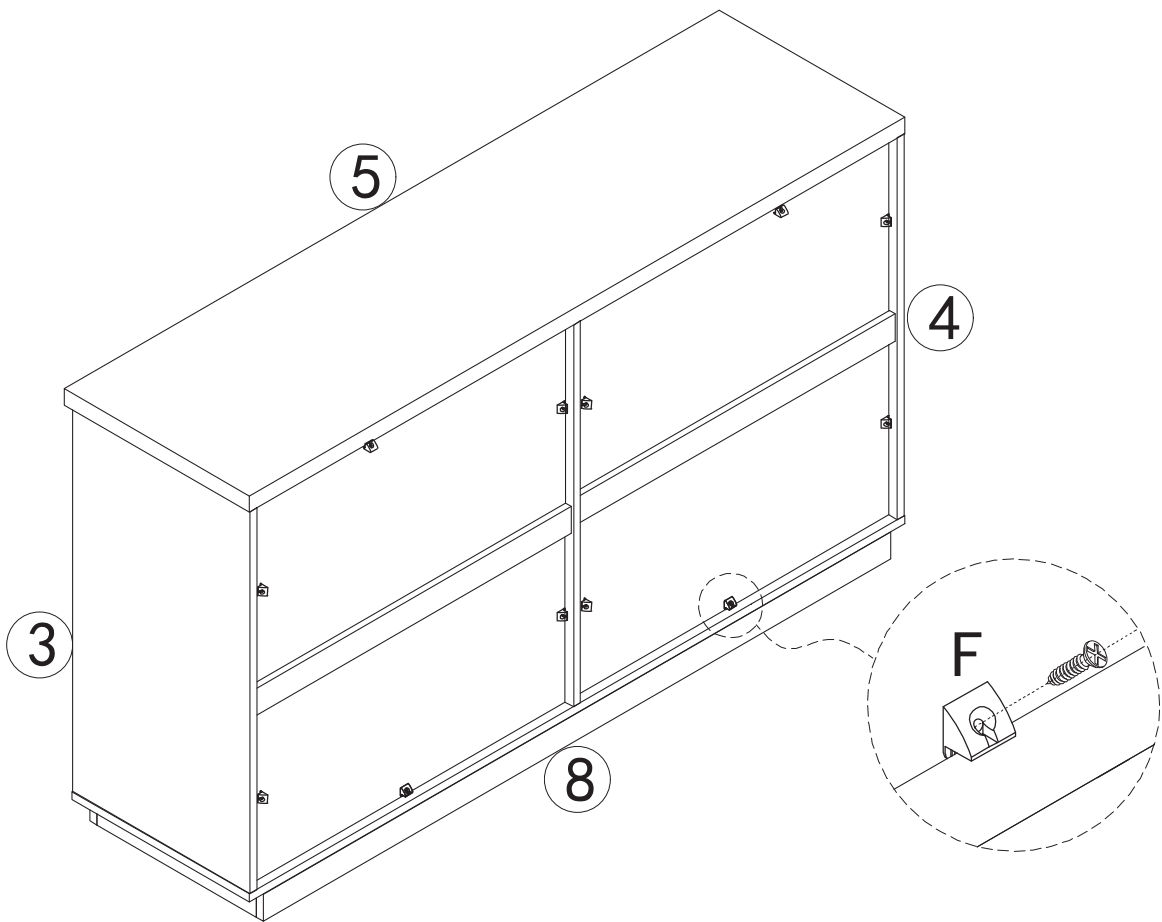
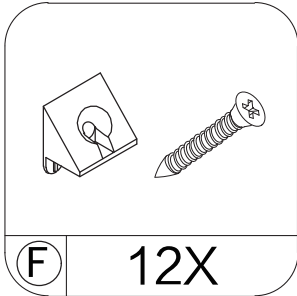


STEP 21

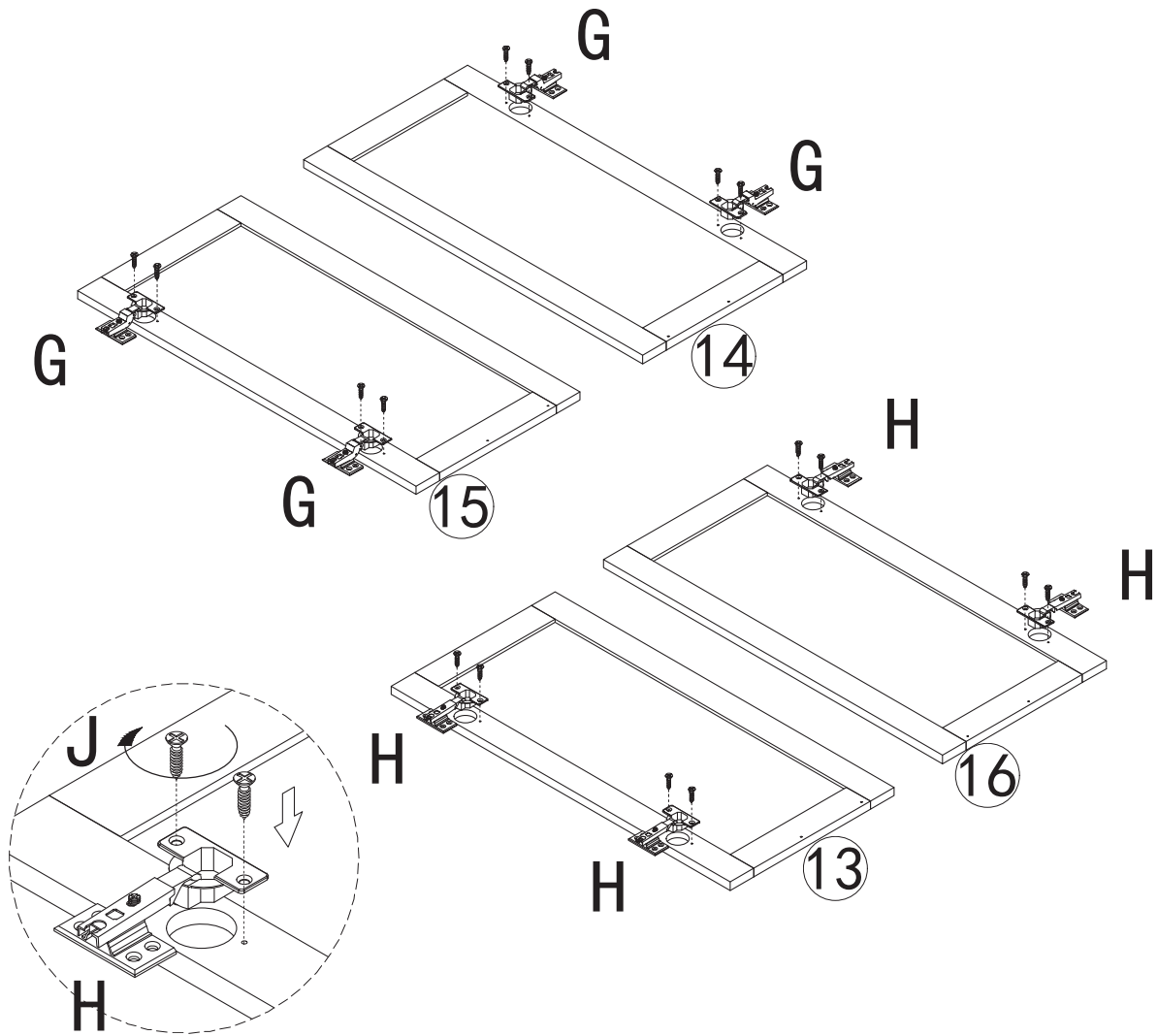
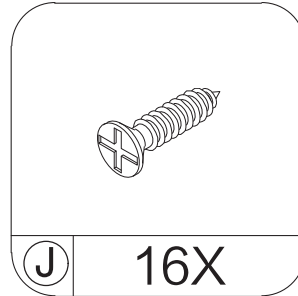
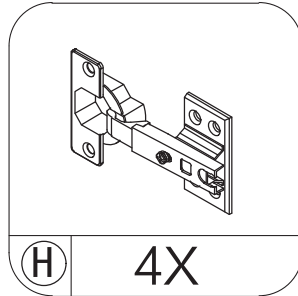
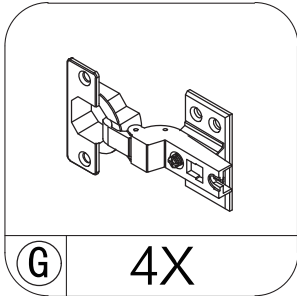


25

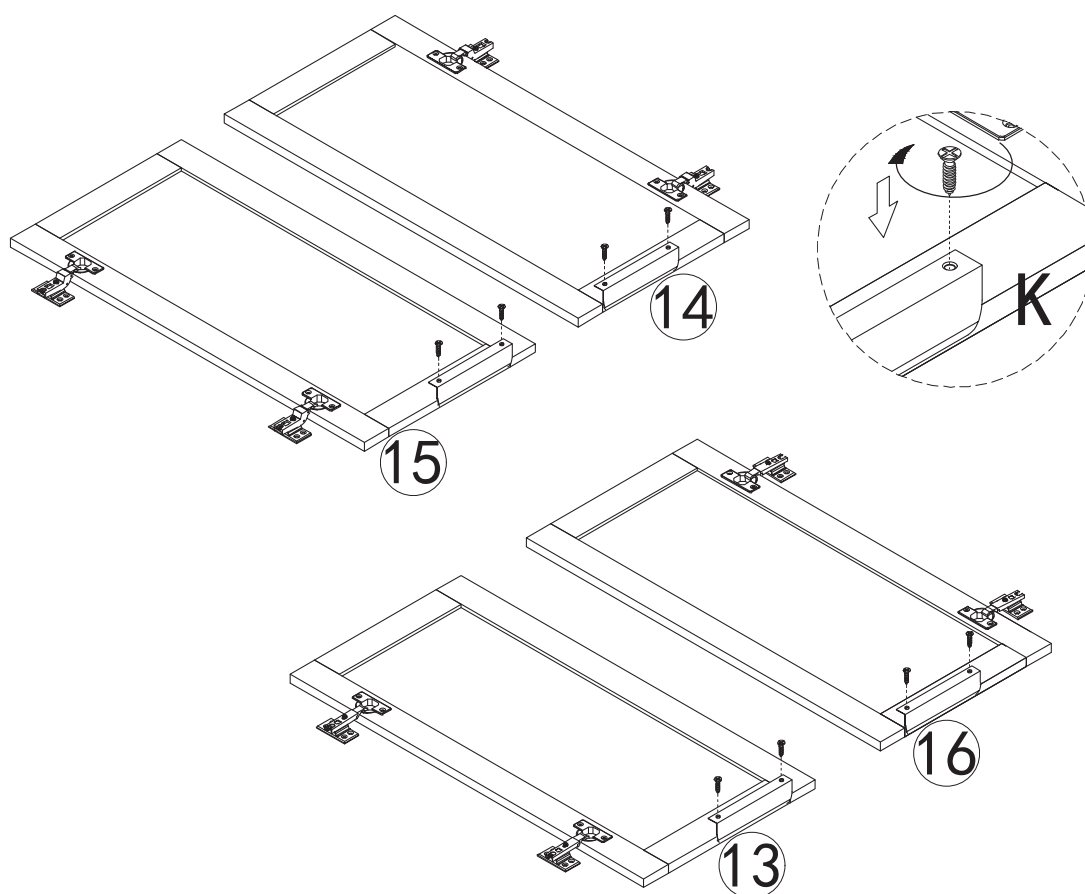
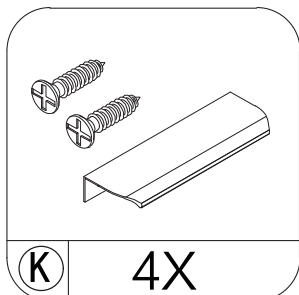
STEP 22



STEP 23

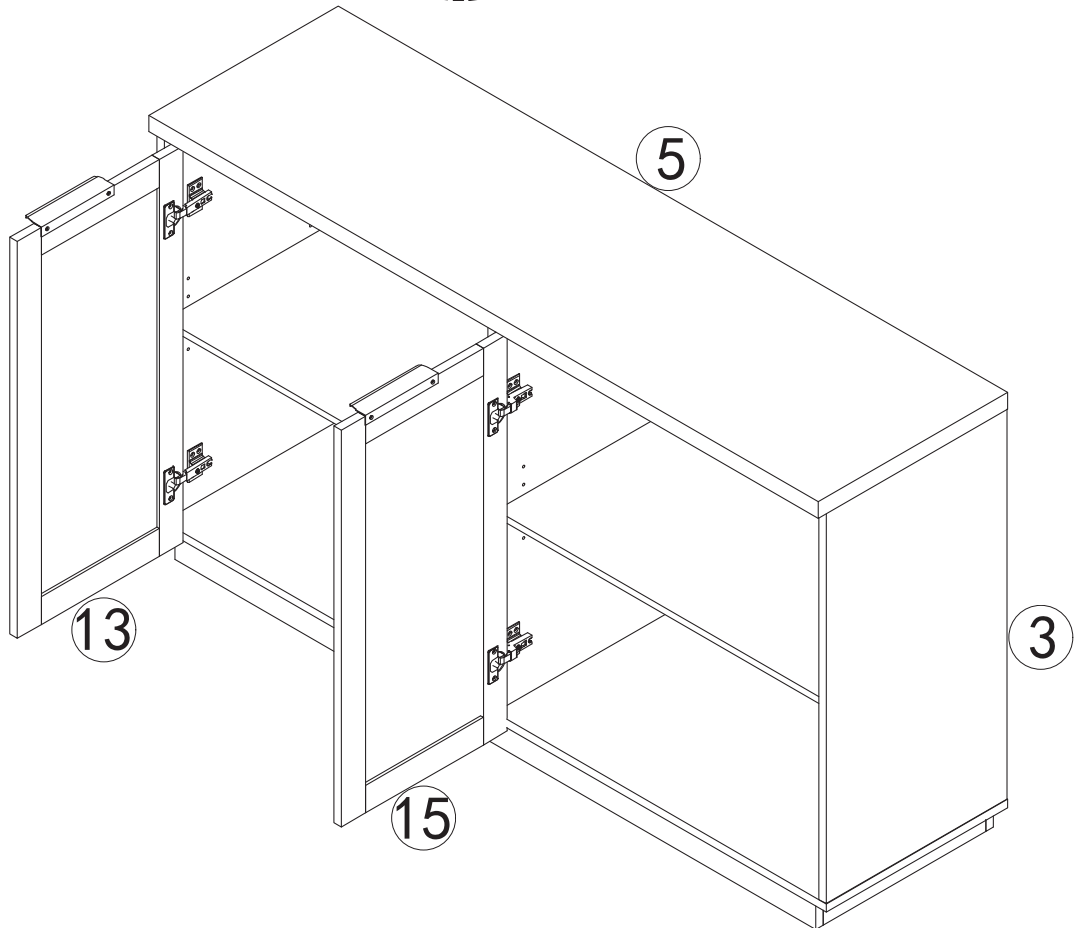
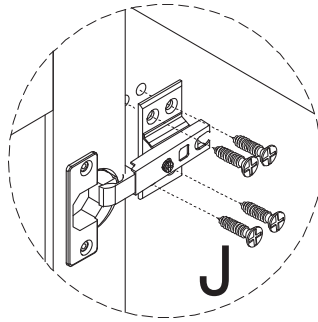
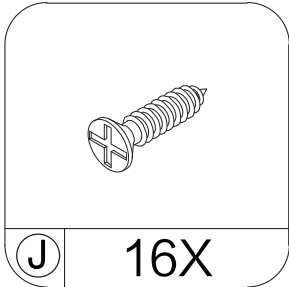


STEP 24



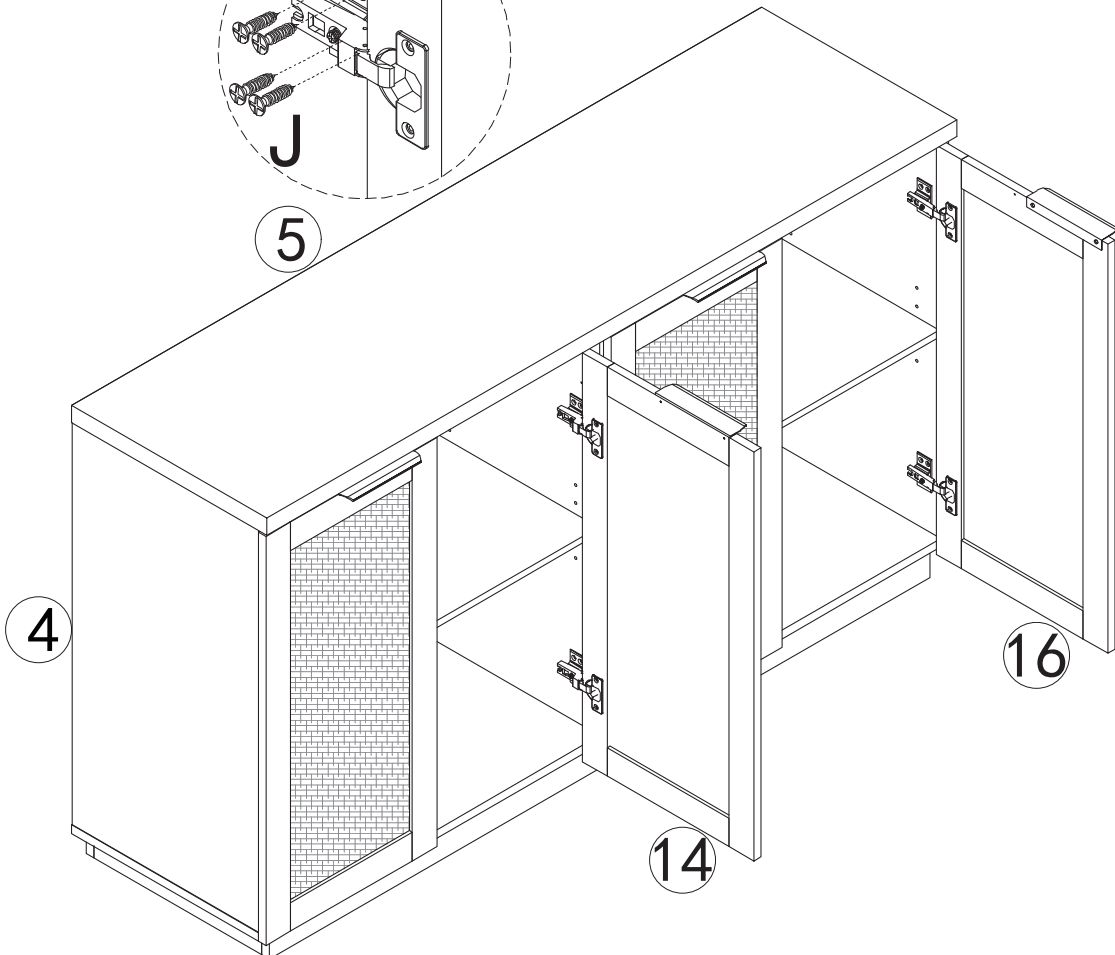
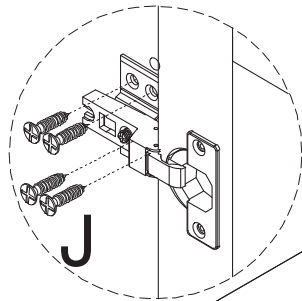
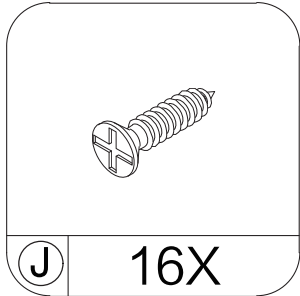
28

STEP 25

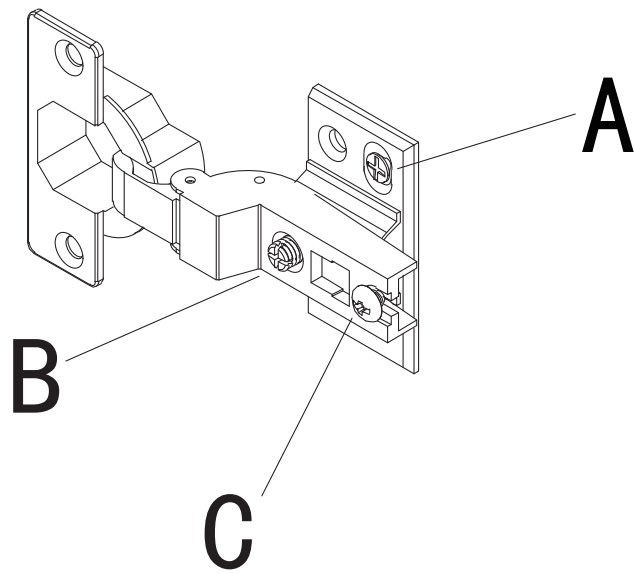
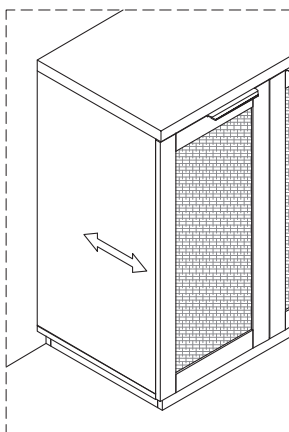
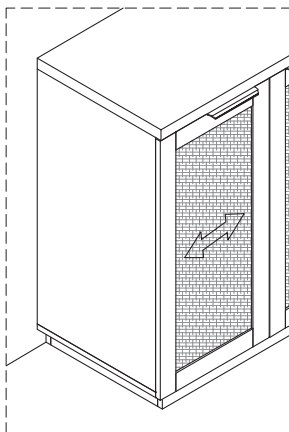
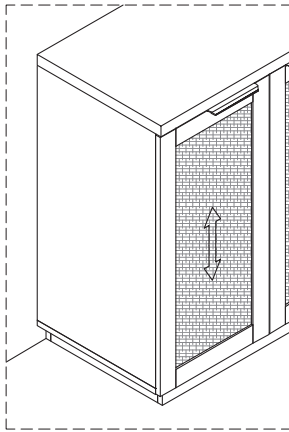


29

STEP 26

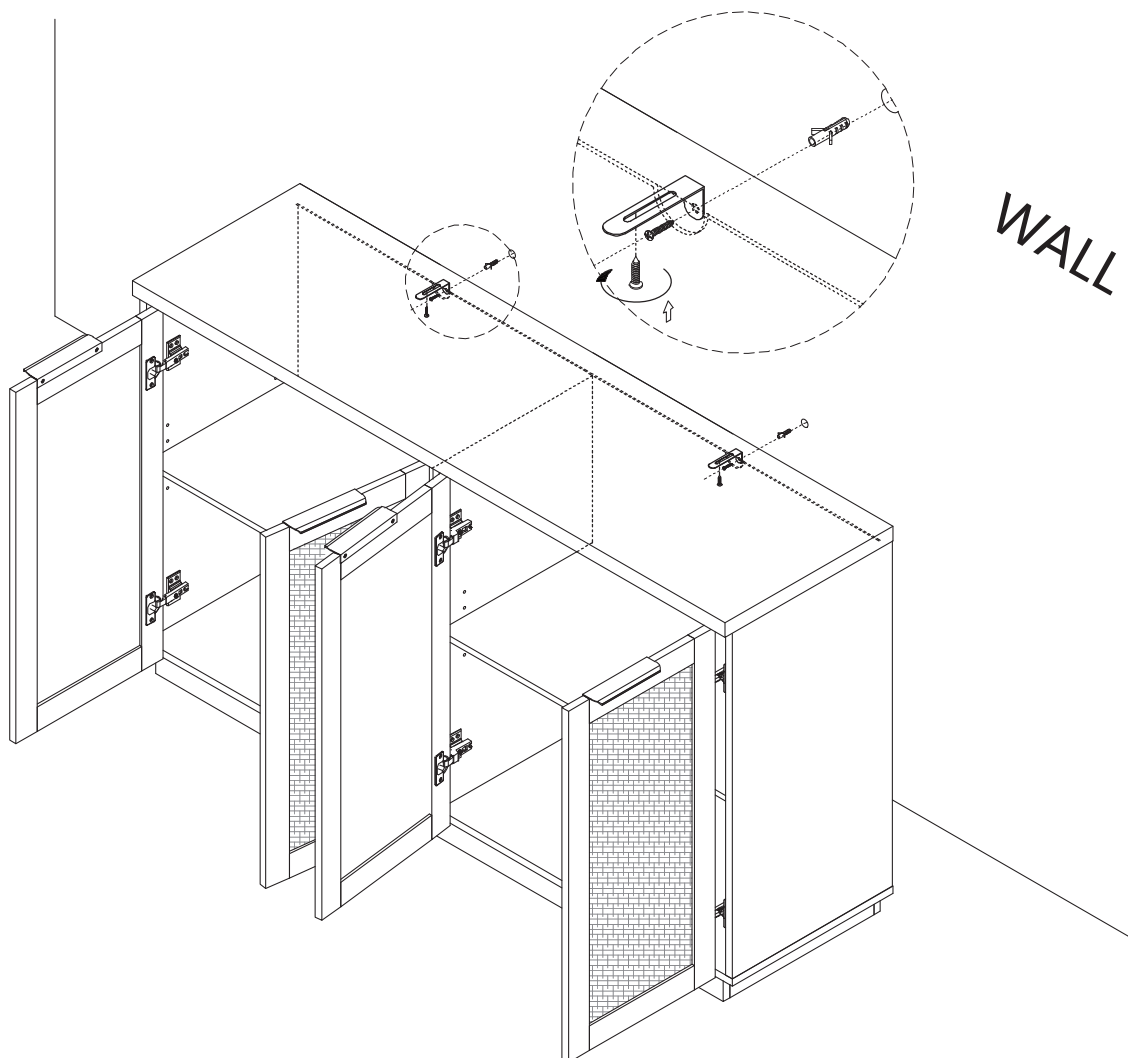
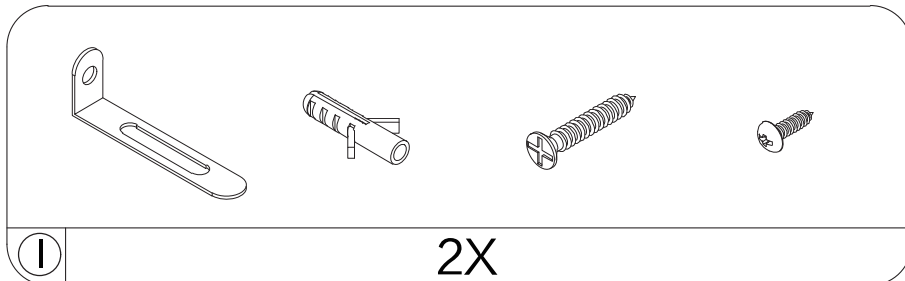


STEP 27



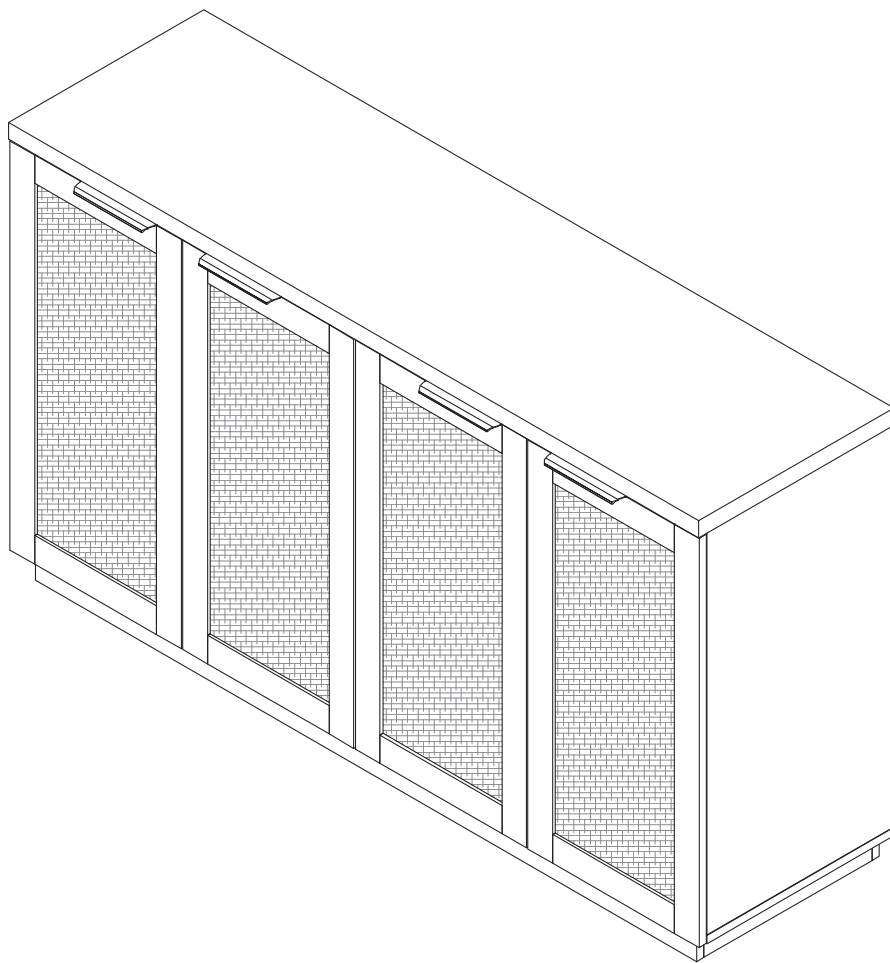
31

STEP 28



31

STEP 29



FCC Regulatory Compliance

This device complies with part 15 of the FCC Rules. Operation is subject to the following two conditions:

(1) This device may not cause harmful interference, and (2) this device must accept any interference received, including interference that may cause undesired operation.

Warning: Changes or modifications not expressly approved by the party responsible for compliance could void the user's authority to operate the equipment.

Note: This equipment has been tested and found to comply with the limits for a Class B digital device, pursuant to Part 15 of the FCC Rules.

These limits are designed to provide reasonable protection against harmful interference in a residential installation. This equipment generates, uses and can radiate radio frequency energy and, if not installed and used in accordance with the instructions, may cause harmful interference to radio communications. However, there is no guarantee that interference will not occur in a particular installation.

If this equipment does cause harmful interference to radio or television reception, which can be determined by turning the equipment off and on, the user is encouraged to try to correct the interference by one or more of the following measures:

- Reorient or relocate the receiving antenna.
- Increase the separation between the equipment and receiver.
- Connect the equipment into an outlet on a circuit different from that to which the receiver is connected.
- Consult the dealer or an experienced radio/TV technician for help.

Made in China