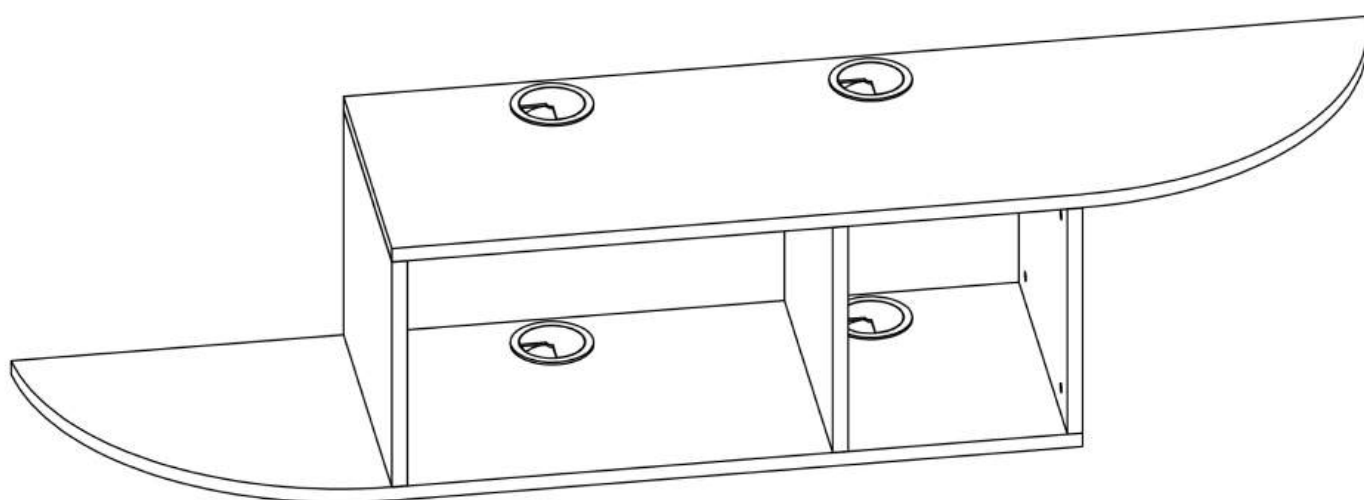


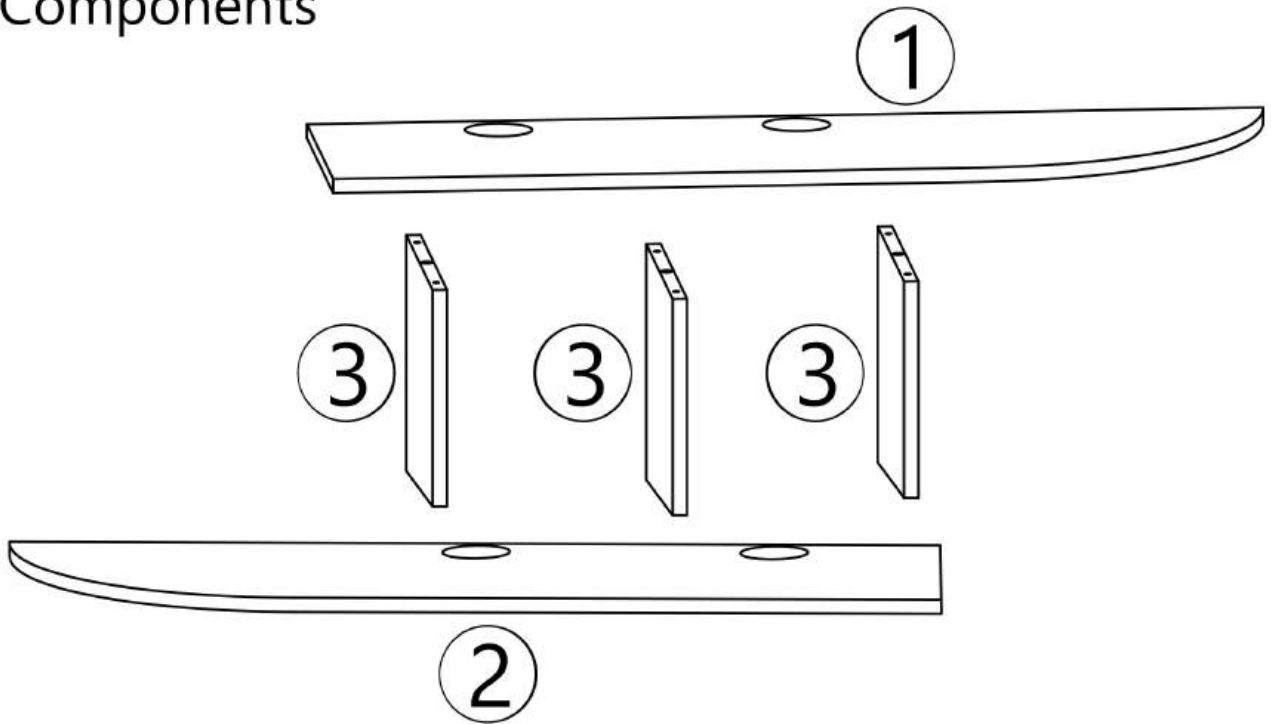
USER'S MANUAL /MANUAL DE USUARIO

SKU: LI005601/LI005504/ST002901

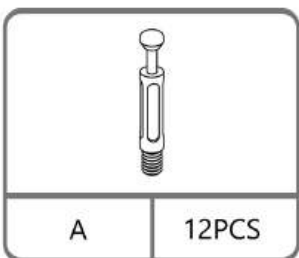
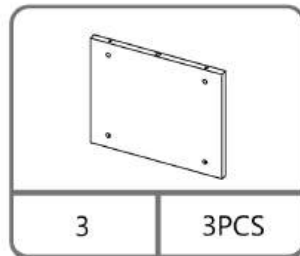
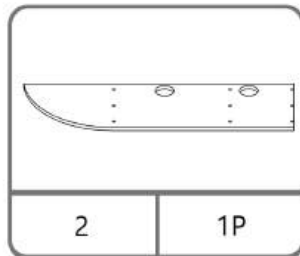
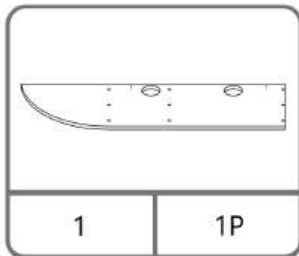


We are devoted to provide premium products and services for customers. Please contact us via the 'Contact seller' button in the detail page of your order for any concern and we'll response as soon as possible.

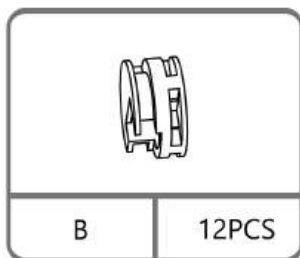
Components



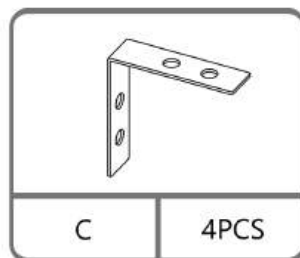
Accessory Parts



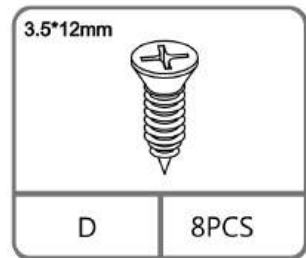
CAM BOLT



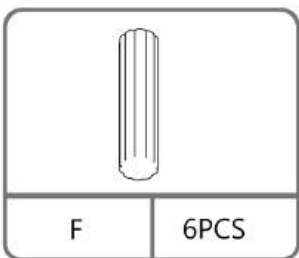
CAM LOCK



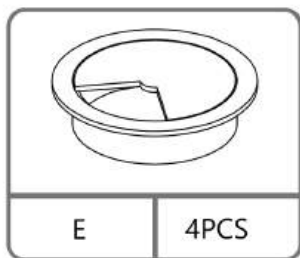
L-BRACKETS



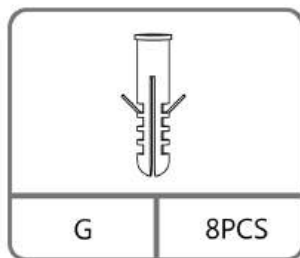
SCREW



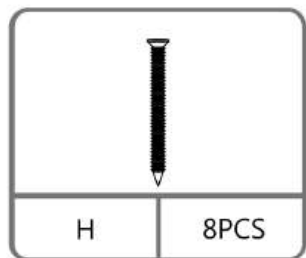
Wooden DOWEL



CABLE GROMMETS

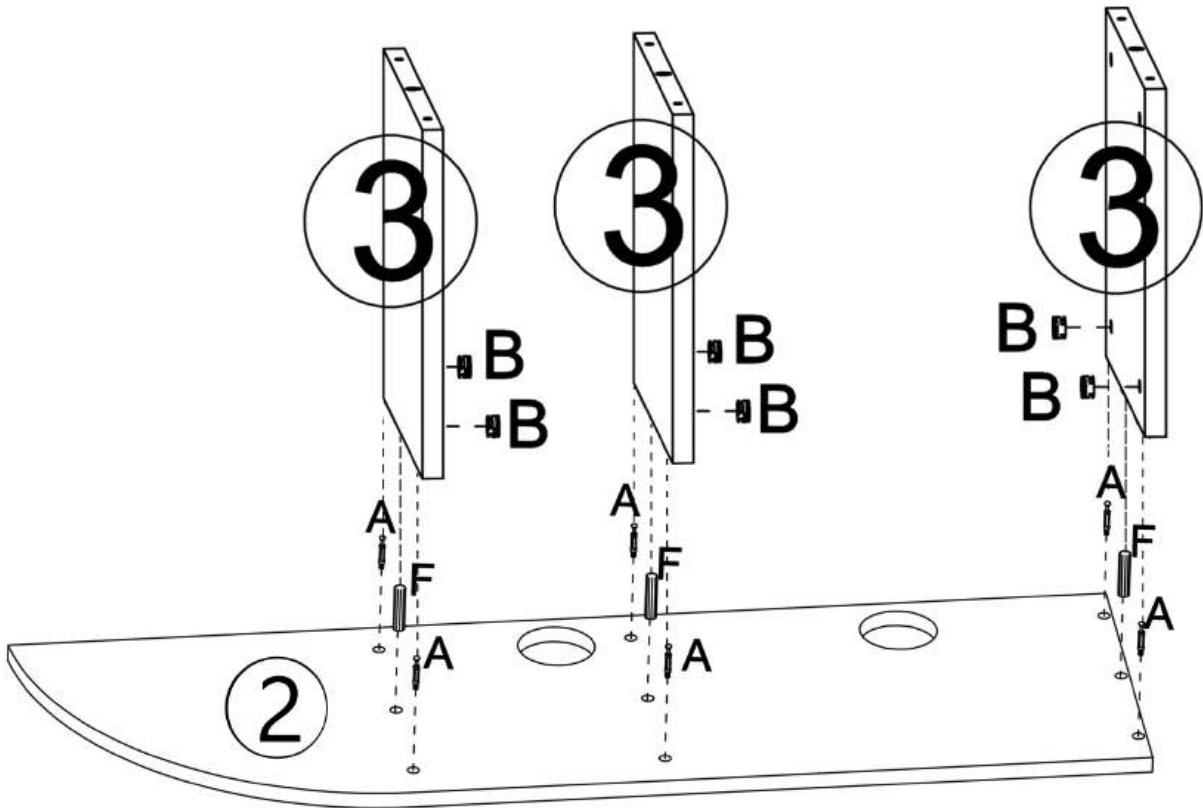
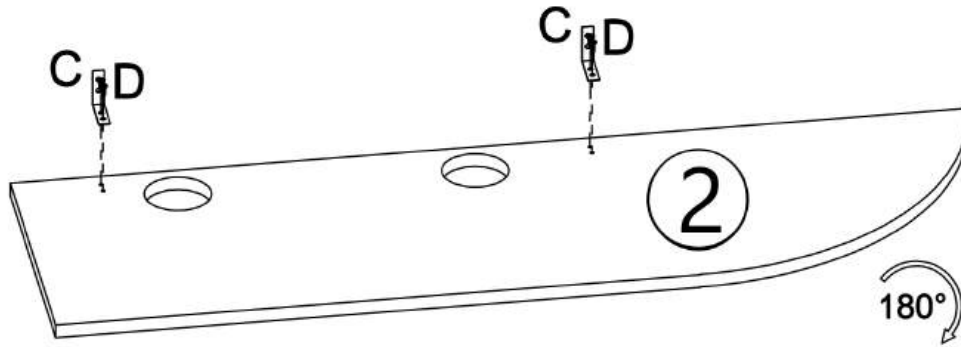
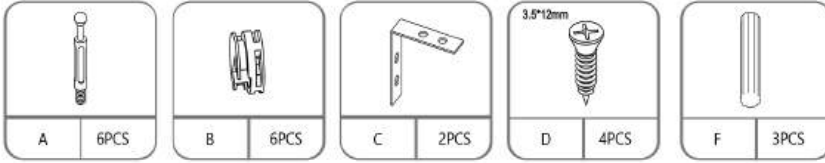


PLASTIC ANCHORS



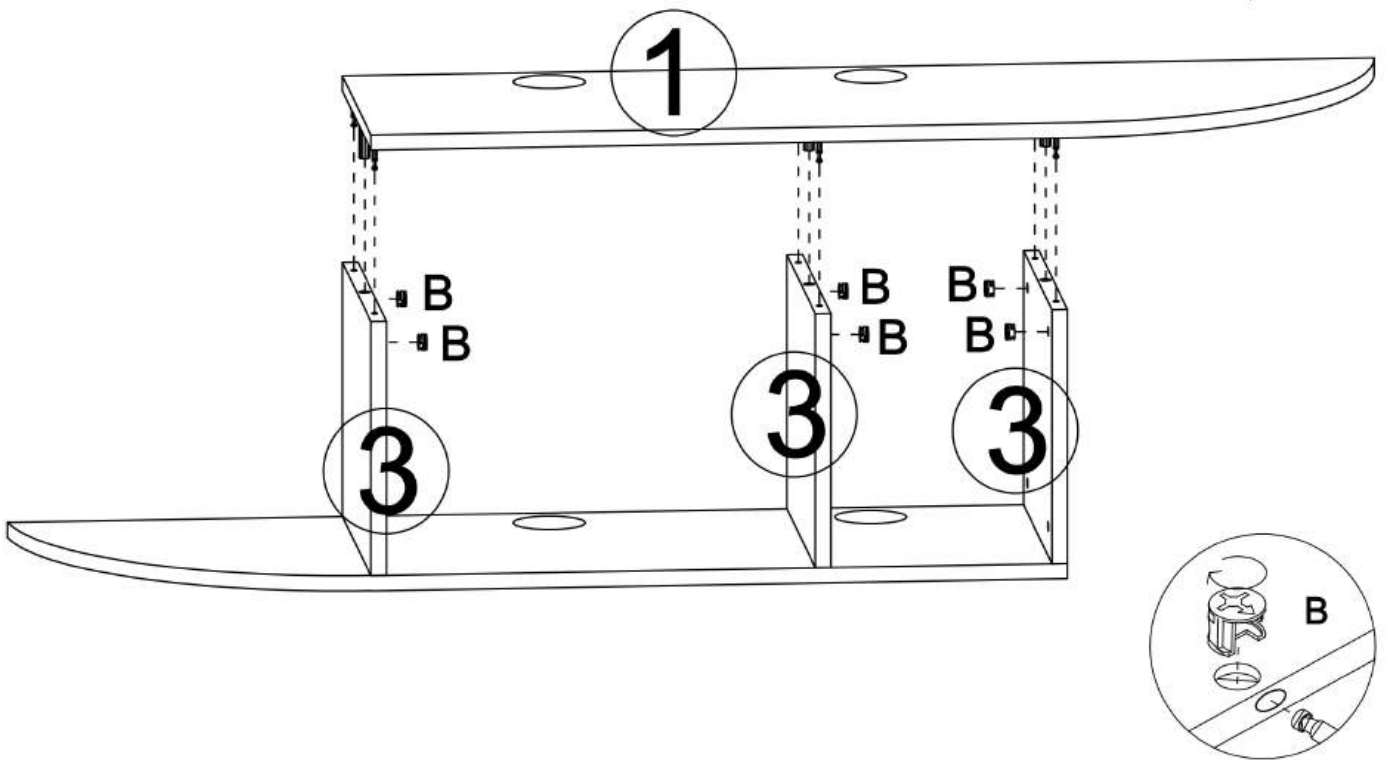
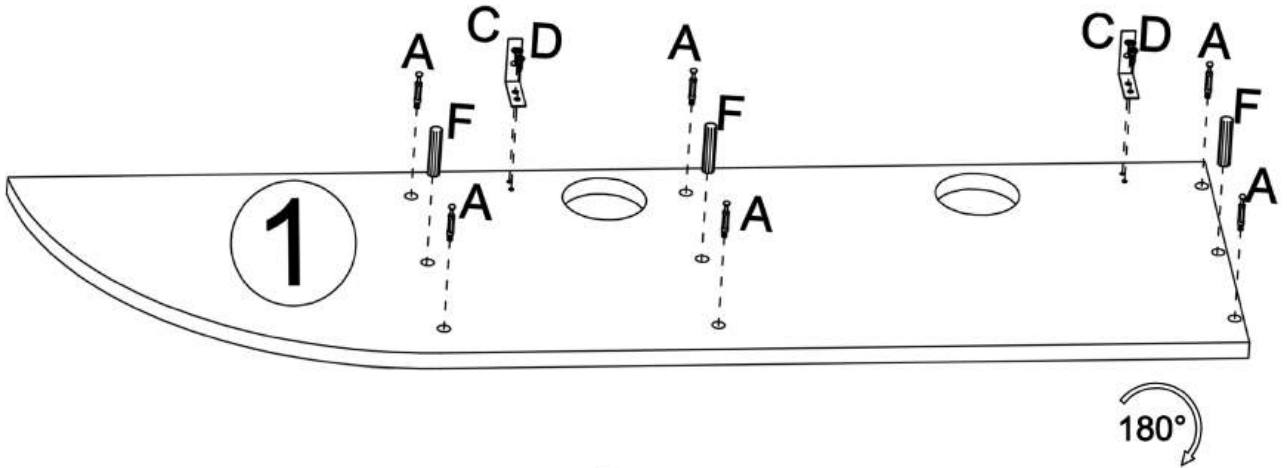
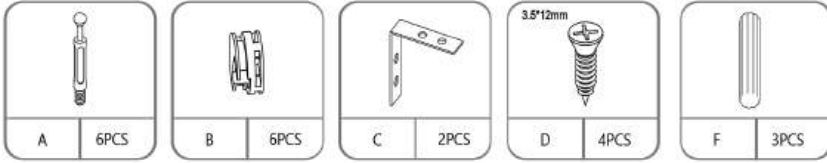
SCREW

1



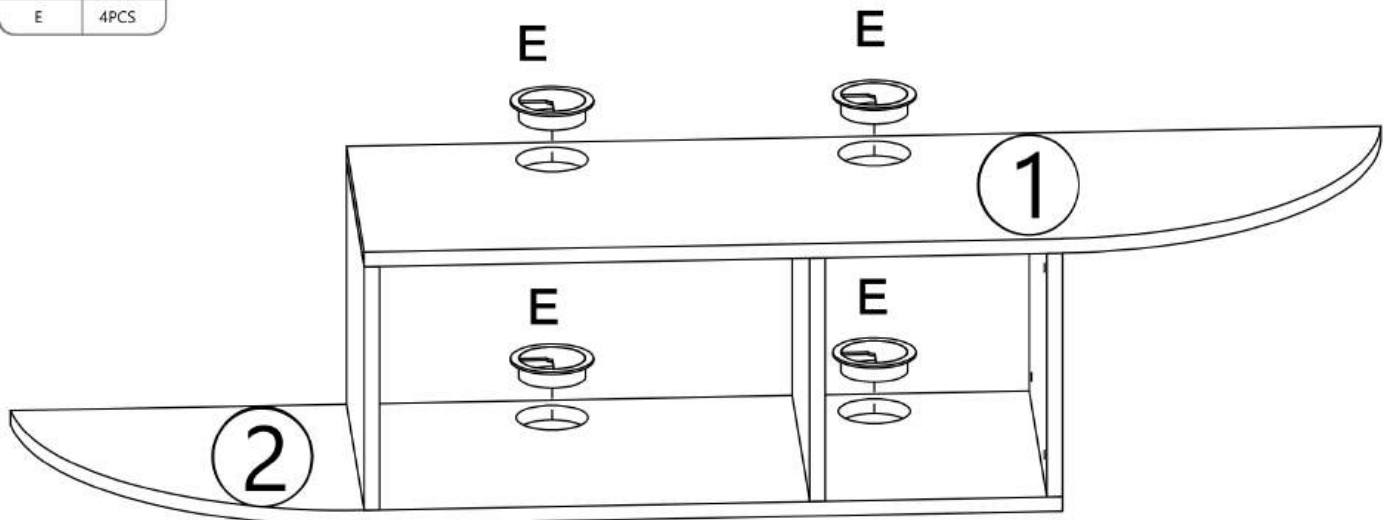
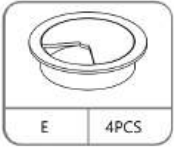
Using screw (D) secure L-brackets (C) into part (2) with screwdriver as per diagram. Flipping 180°, insert wooden dowel (F) into part (2). Attach cam bolt (A) to parts (2, 3) with screwdriver, then insert and secure cam lock (B) to part (3) to lock it.

2



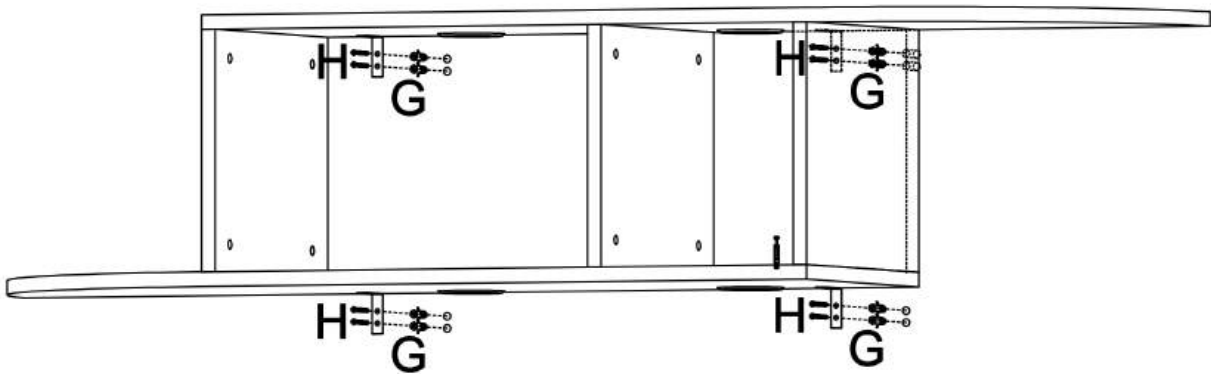
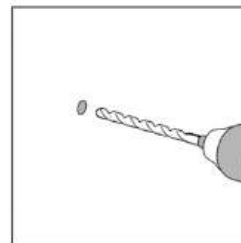
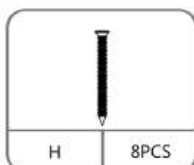
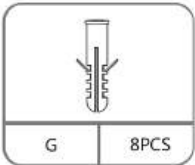
Using screw (D) secure L-brackets (C) into part (1) with screwdriver as per diagram. Insert wooden dowel (F) into part (1). Attach cam bolt (A) to parts (1, 3) with screwdriver, then insert and secure cam lock (B) to part (3) to lock it.

3



Install grommets (E) into parts (1, 2).

4



Using anchoring (H, G) secure L-brackets (D) into the wall with screwdriver as per diagram. Final Assembly!