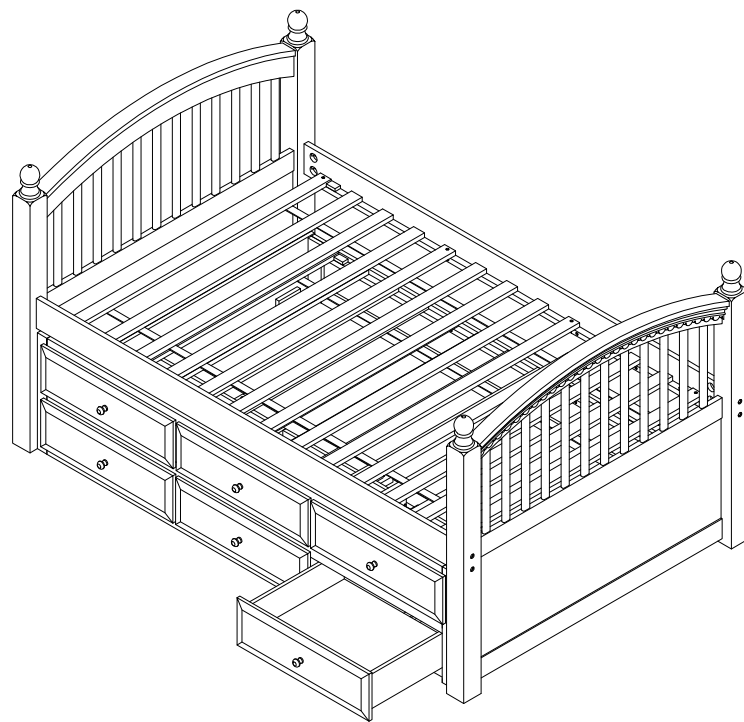


ASSEMBLY INSTRUCTIONS



Fine Furniture for every stage of life

Twin Daybed

REVISION 0 : 08/21/2011
REVISION 1 : 10/26/2011
REVISION 2 : 02/18/2022

ASSEMBLY INSTRUCTIONS

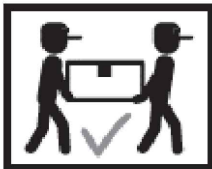
ASSEMBLY TIPS:

1. Remove hardware from box and sort by size.
2. Please check to see that all hardware and parts are present prior to start of assembly.
3. Please follow attached instructions in the same sequence as numbered to assure fast & easy assembly.



WARNING!

1. Don't attempt to repair or modify parts that are broken or defective. Please contact the store immediately.
2. This product is for home use only and not intended for commercial establishments.






ASSEMBLY TIME



30 MINUTES

PARTS IDENTIFICATION

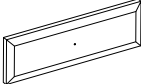
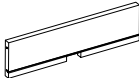

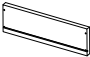
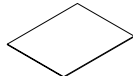
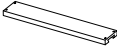

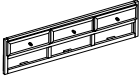
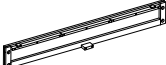

B1 (BOX 1)

P	BED END		2PCS	M	ROLL SLAT (13PCS)		2 SETS
Q	FINIAL		4PCS				

B2 (BOX 2)

N	FRONT BED RAIL		1PC	O	BACK BED RAIL		1PC
---	----------------	-------------------------------------------------------------------------------------	-----	---	---------------	---------------------------------------------------------------------------------------	-----

B3 (BOX 3)

A	DRAWER FRONT		3 PCS	B	DRAWER BACK PANEL		3 PCS
C	DRAWER LEFT PANEL		3 PCS	D	DRAWER RIGHT PANEL		3 PCS
E	DRAWER BOTTOM PANEL		3 PCS	F	FEMALE DRAWER GLIDE		3 PCS
G	MALE DRAWER GLIDE		3 PCS	H	TRUNDLE FRONT PANEL		1PC
I	TRUNDLE BACK PANEL		1PC	J	DRAWER SUPPORT RAIL		1PC

NOTE:

Phillips head screw driver is required in the assembly process; however, manufacturer does not provide this item.

ASSEMBLY INSTRUCTIONS

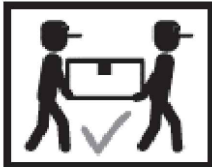
ASSEMBLY TIPS:

1. Remove hardware from box and sort by size.
2. Please check to see that all hardware and parts are present prior to start of assembly.
3. Please follow attached instructions in the same sequence as numbered to assure fast & easy assembly.



WARNING!

1. Don't attempt to repair or modify parts that are broken or defective. Please contact the store immediately.
2. This product is for home use only and not intended for commercial establishments.

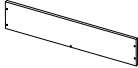




ASSEMBLY TIME

30 MINUTES








PARTS IDENTIFICATION

B3 (BOX 3)

K	TRUNDLE LEFT PANEL		1PC	X	KNOB WITH SCREW		6SETS
L	TRUNDLE RIGHT PANEL		1PC				

HARDWARE IDENTIFICATION

BOX3 - HARDWARE PACK

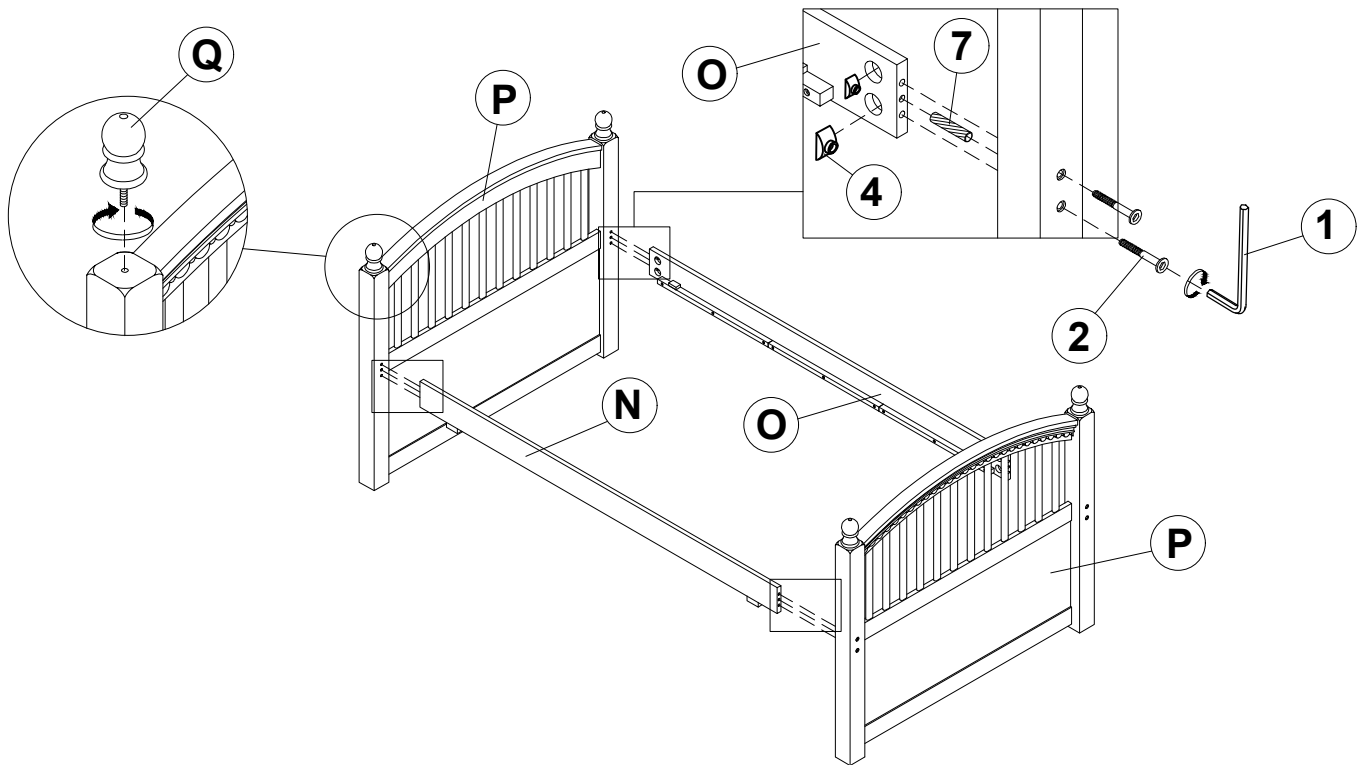
1	ALLEN WRENCH (4MM - BLK)		1PC	5	FLAT HEAD SREW (4 x 30mm - BLK)		88PCS
2	LONG BOLT (1/4 x 100mm - BLK)		8PCS	6	MEDIUM BOLT (1/4 x 50mm - BLK)		4PCS
3	SHORT BOLT (1/4 x 35mm - BLK)		12PCS	7	WOOD DOWEL (10 x 40mm)		4PCS
4	HALF ROUND NUT (1/4MM - BLK)		12PCS				

NOTE:

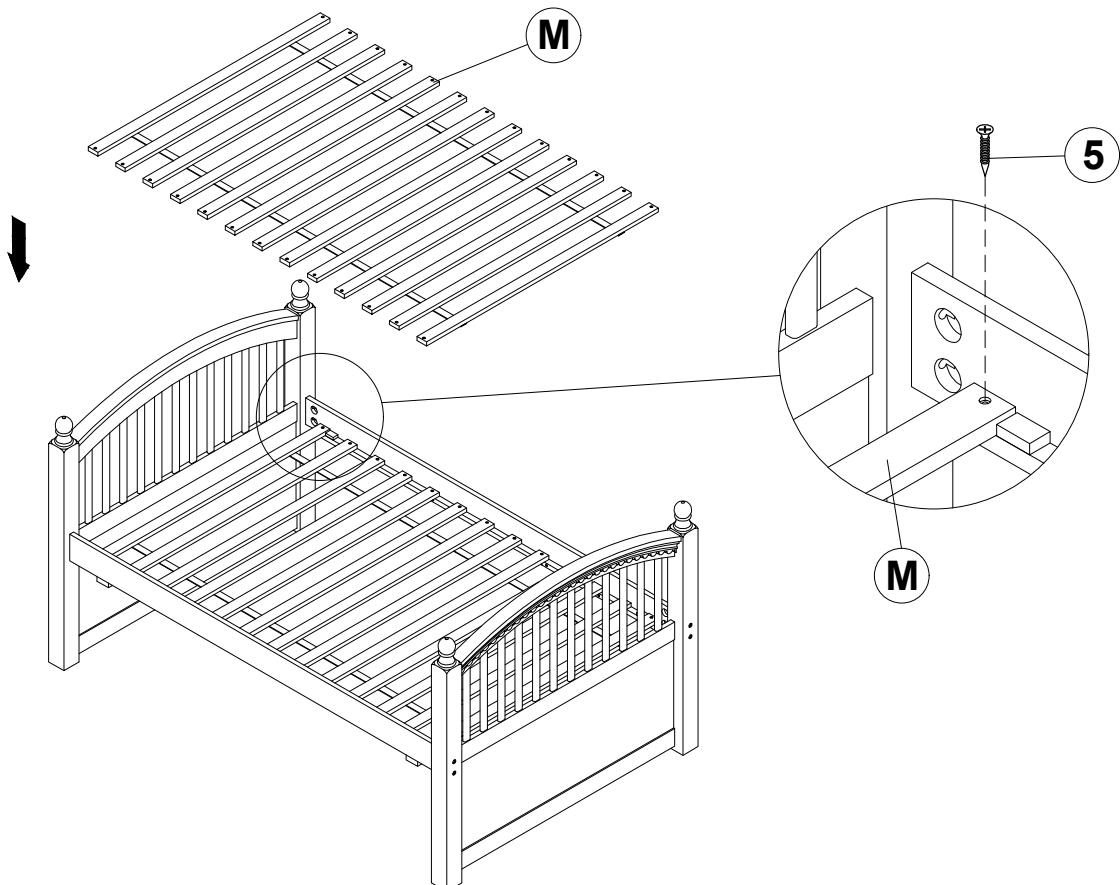
Phillips head screw driver is required in the assembly process; however, manufacturer does not provide this item.

ASSEMBLY INSTRUCTIONS

STEP 1

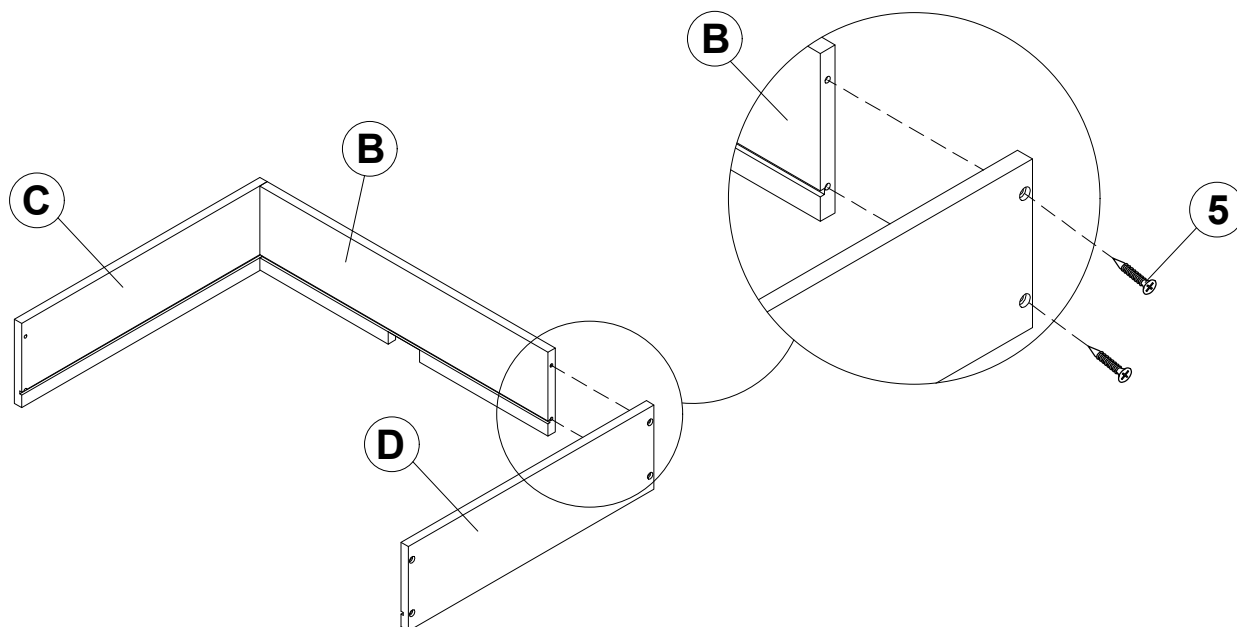


STEP 2

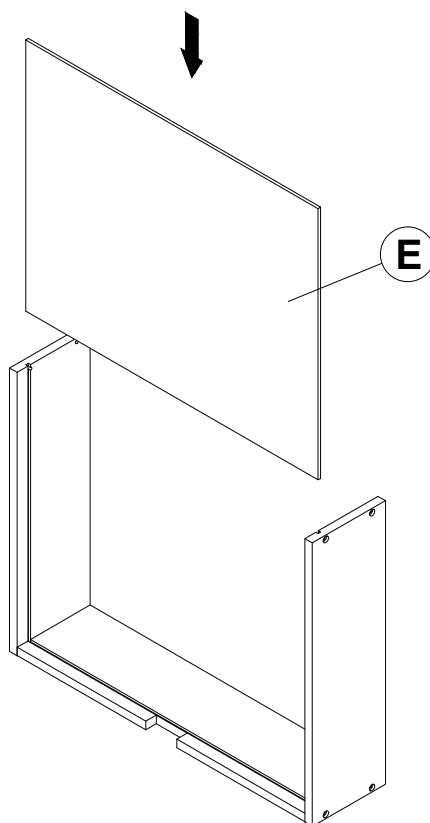


ASSEMBLY INSTRUCTIONS

STEP 3

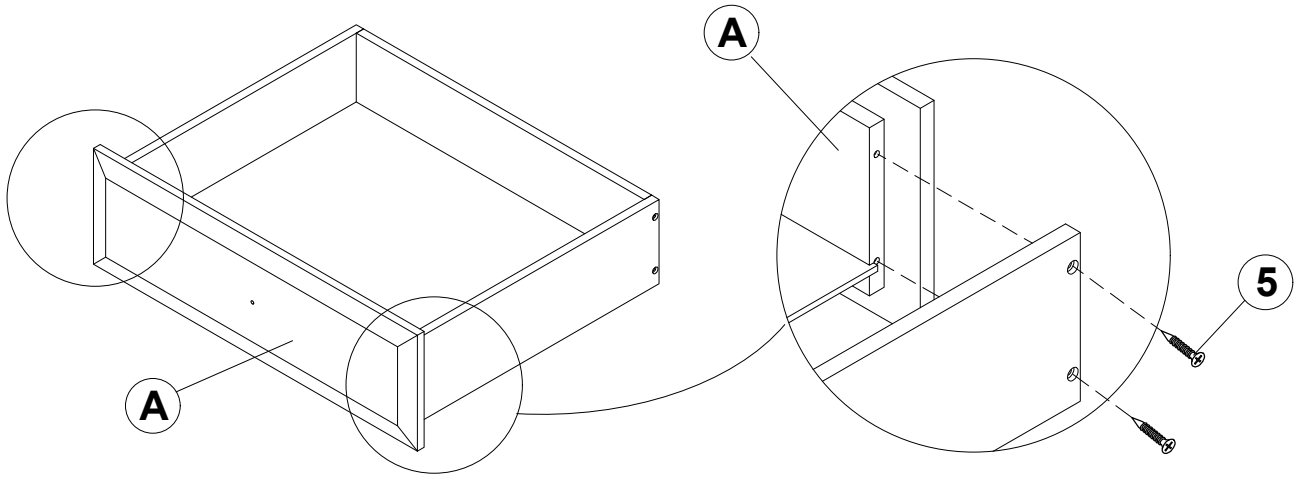


STEP 4

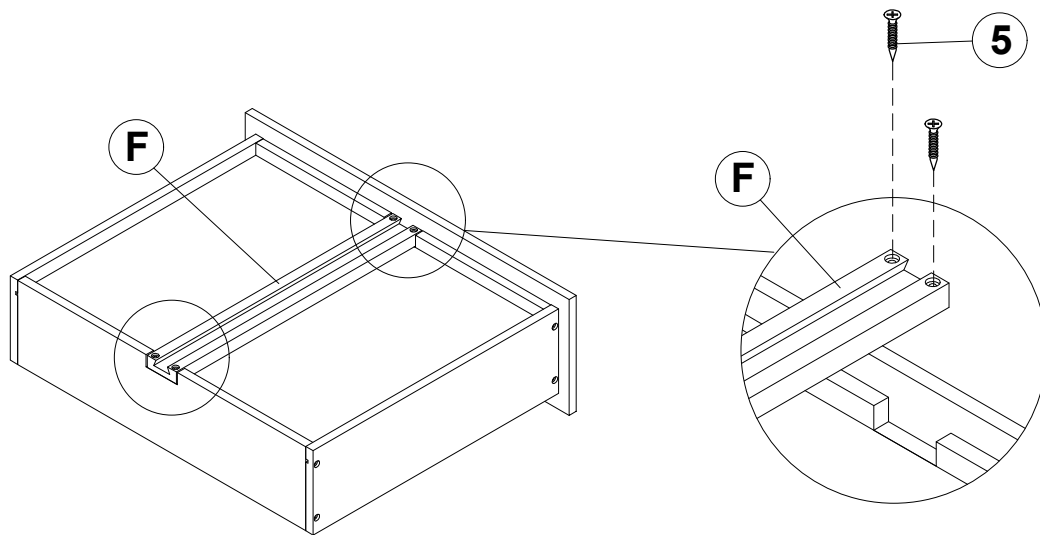


ASSEMBLY INSTRUCTIONS

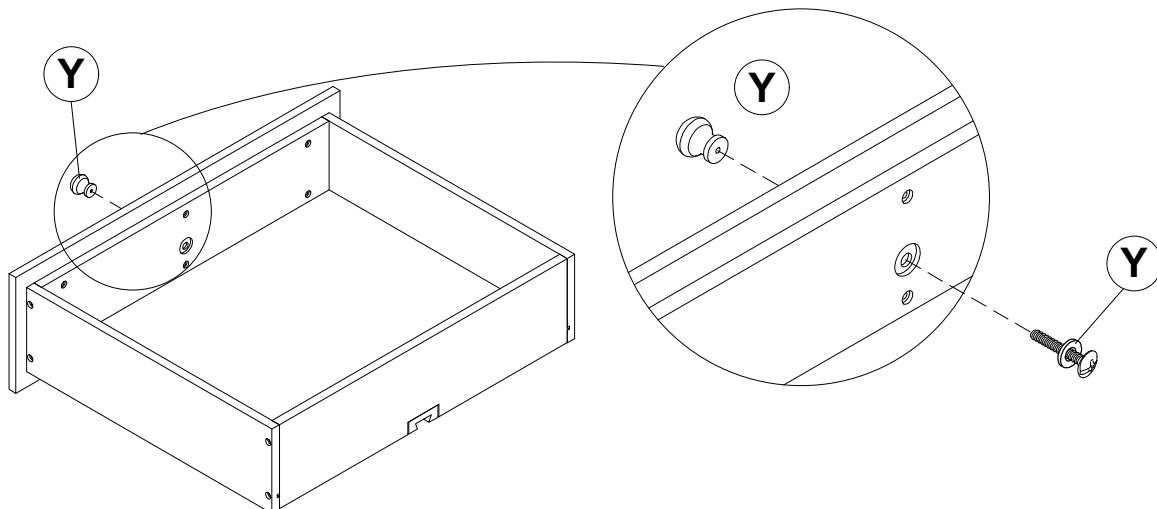
STEP 5



STEP 6

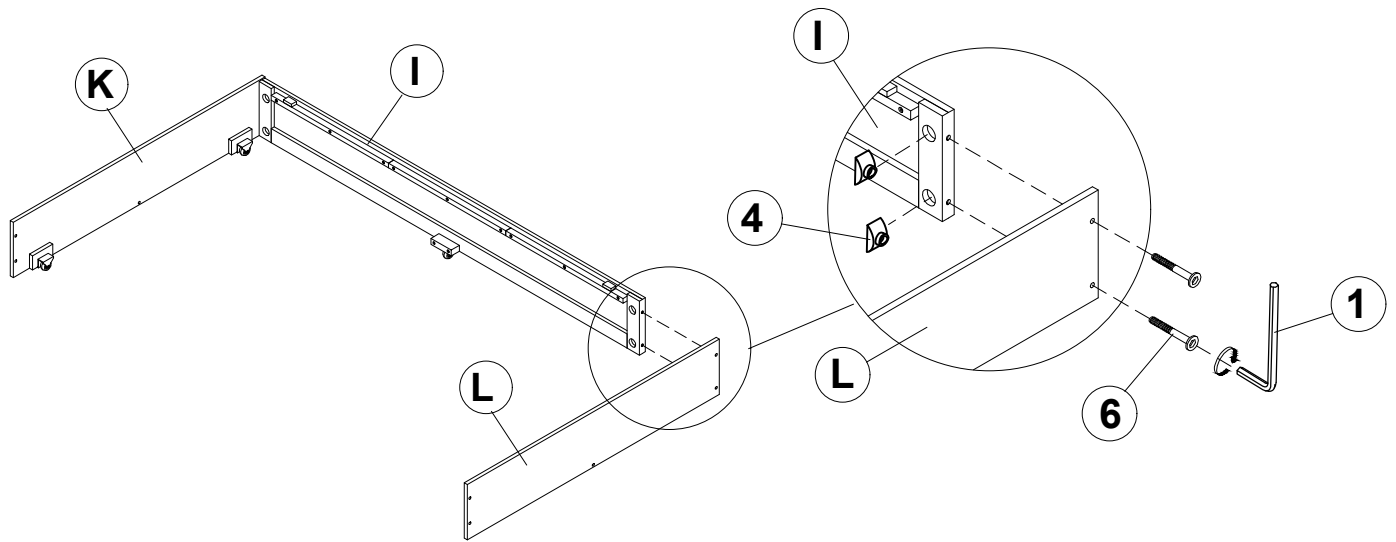


STEP 7

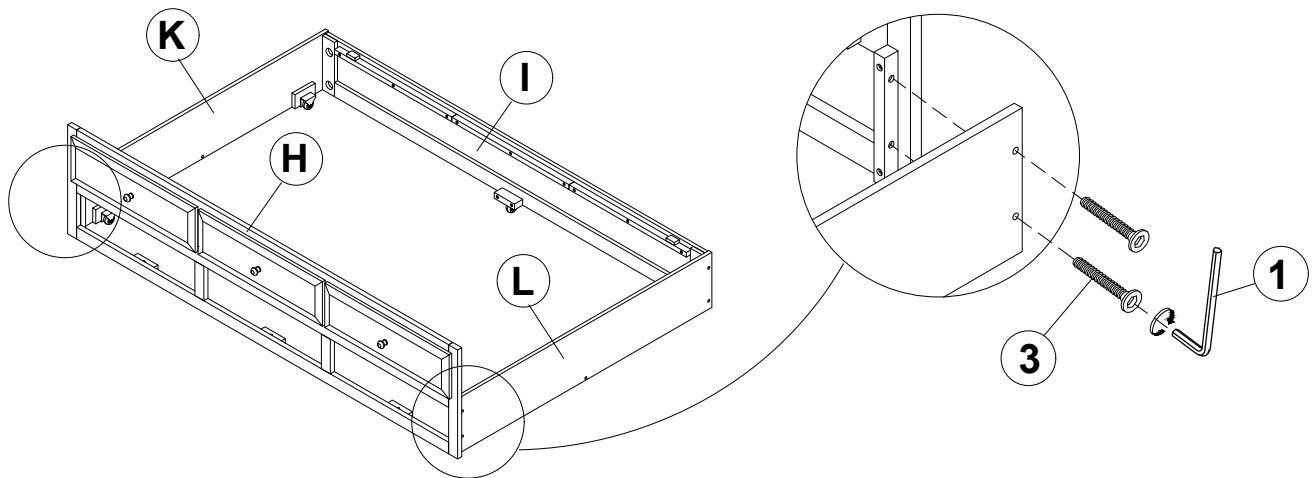


ASSEMBLY INSTRUCTIONS

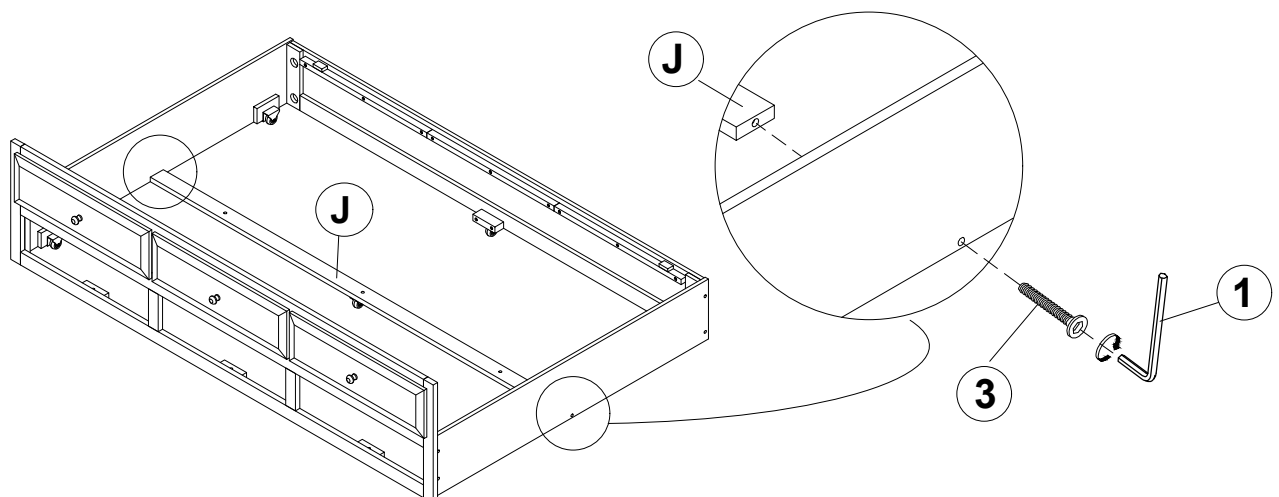
STEP 8



STEP 9

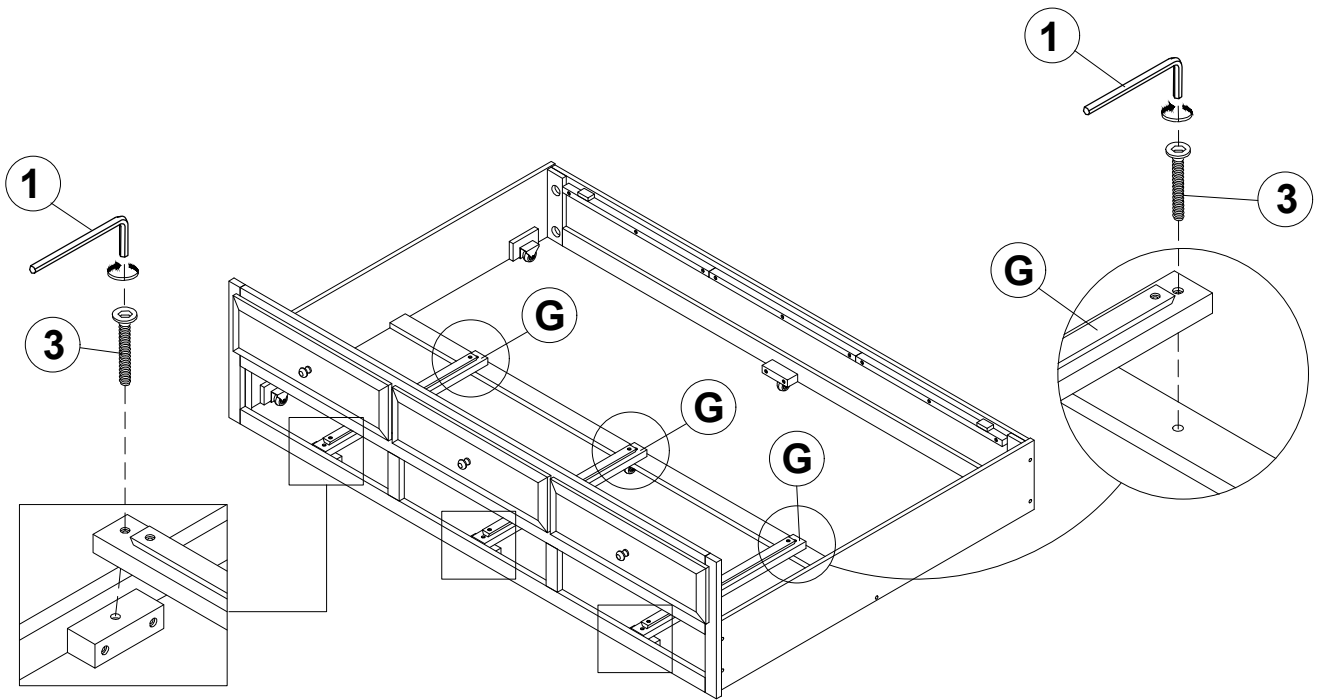


STEP 10

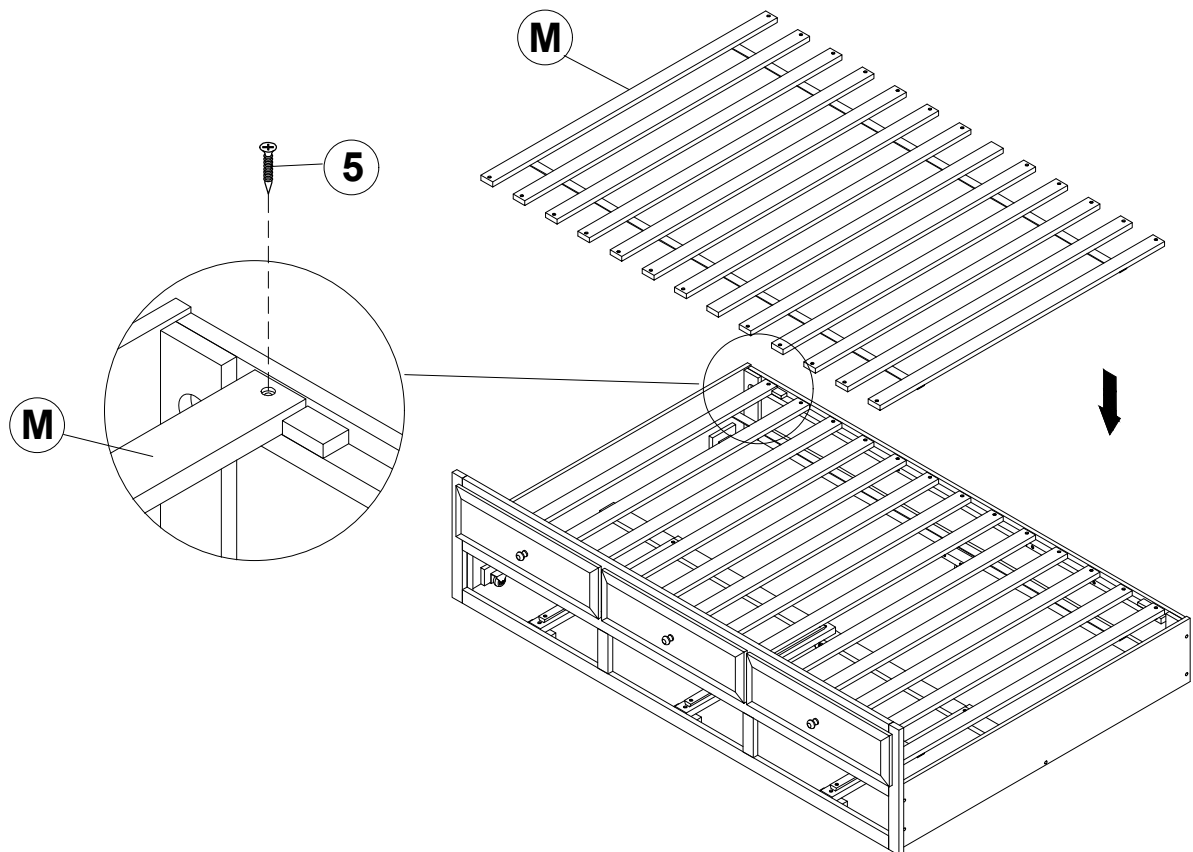


ASSEMBLY INSTRUCTIONS

STEP 11

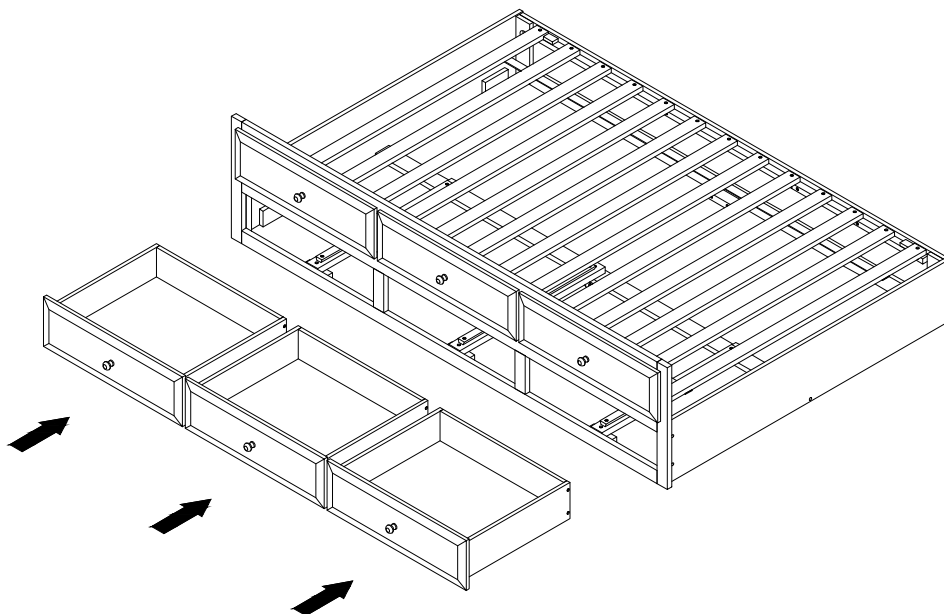


STEP 12

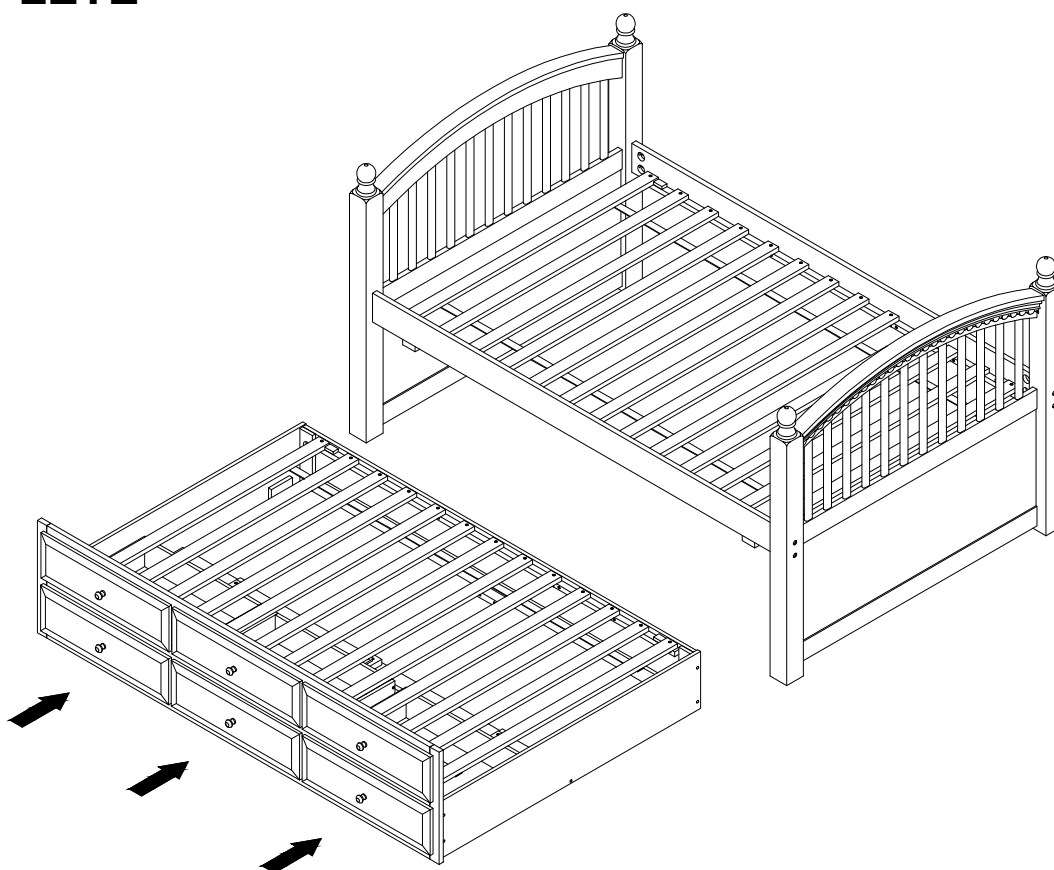


ASSEMBLY INSTRUCTIONS

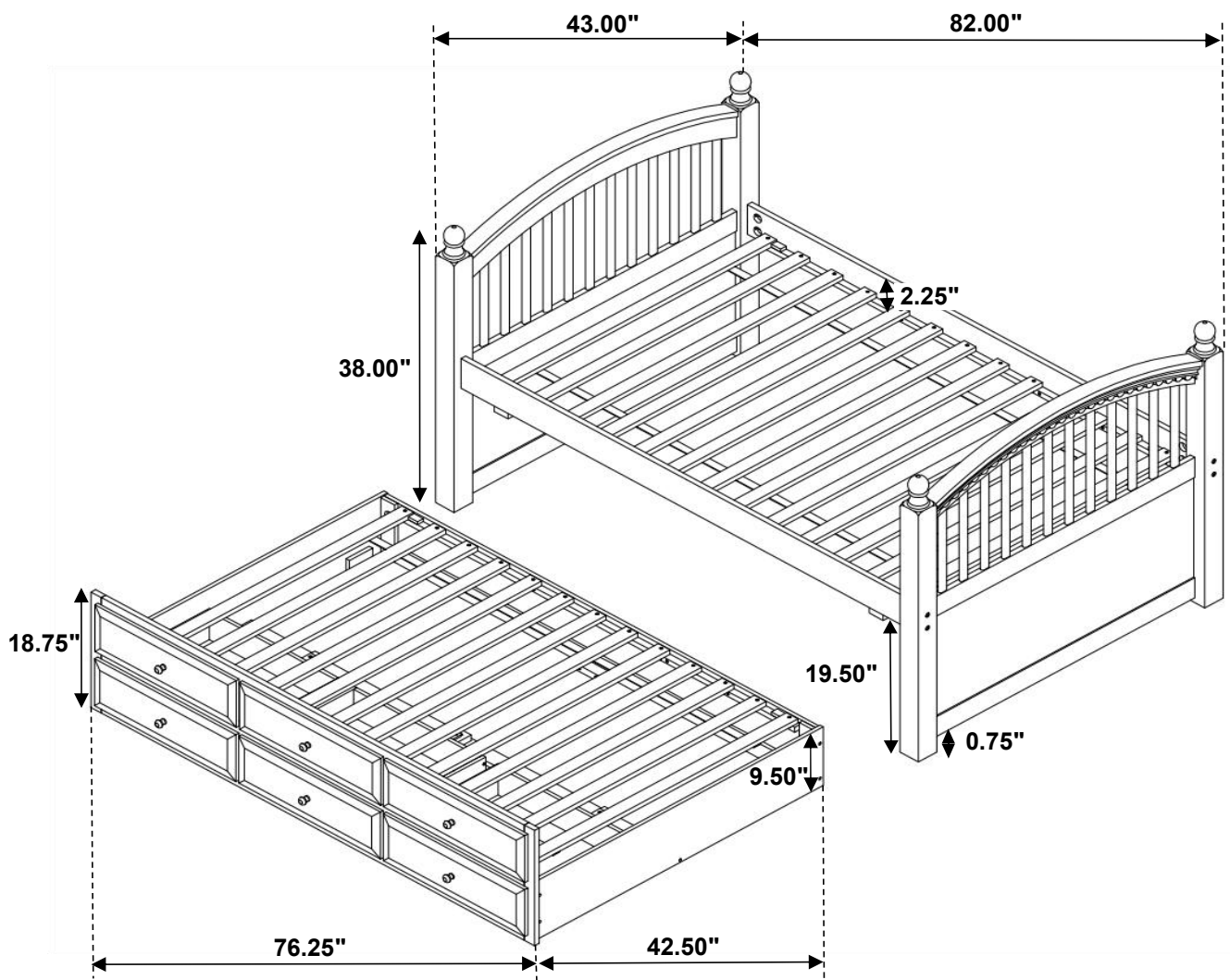
STEP 13



STEP 14 COMPLETE



Inner Size: 76.75"W X 39.50"D
Trundle Inner Size: 75.50"W X 39.50"D



Note: Dimension tolerance $\pm 5\%$