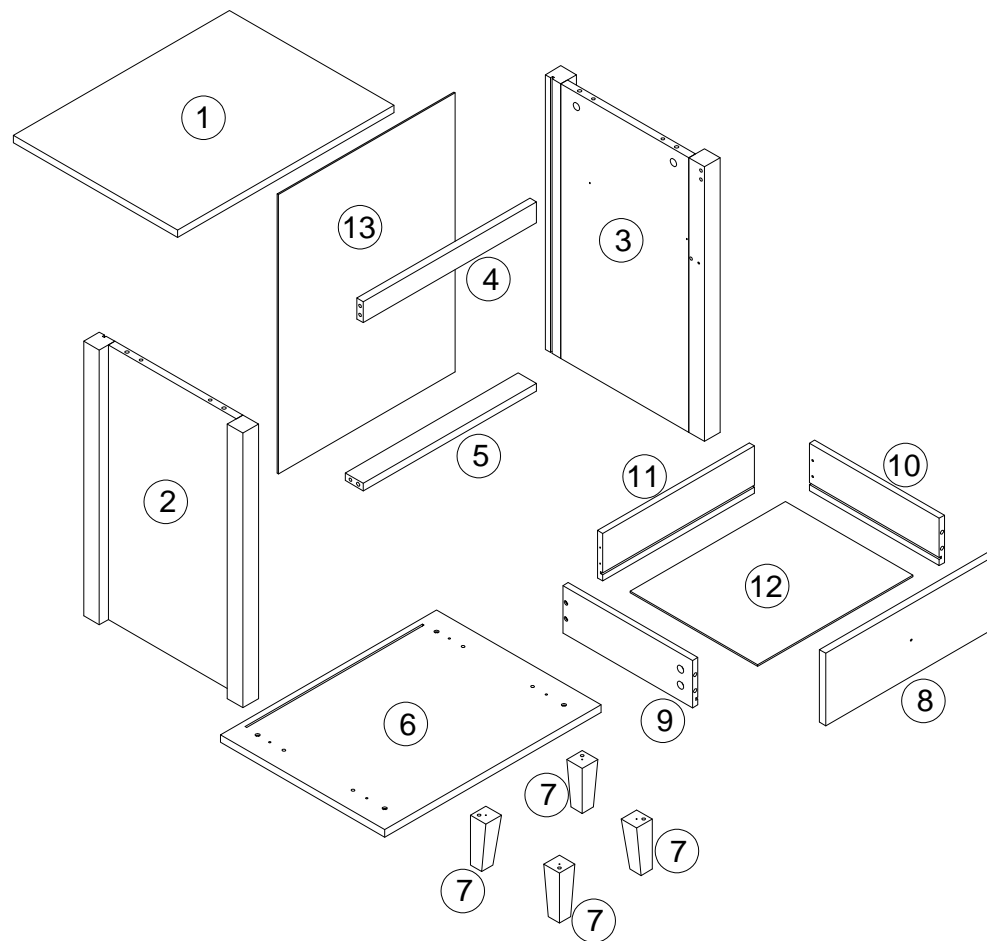
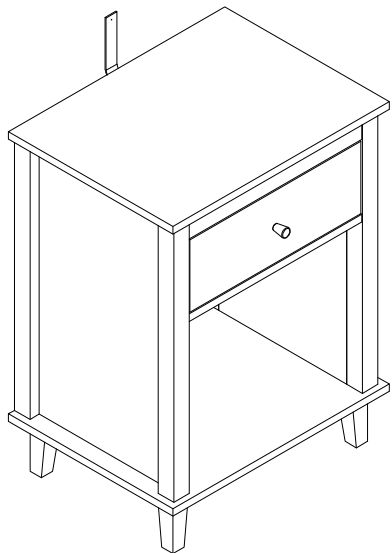














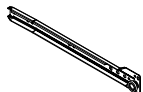

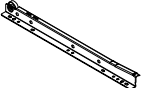
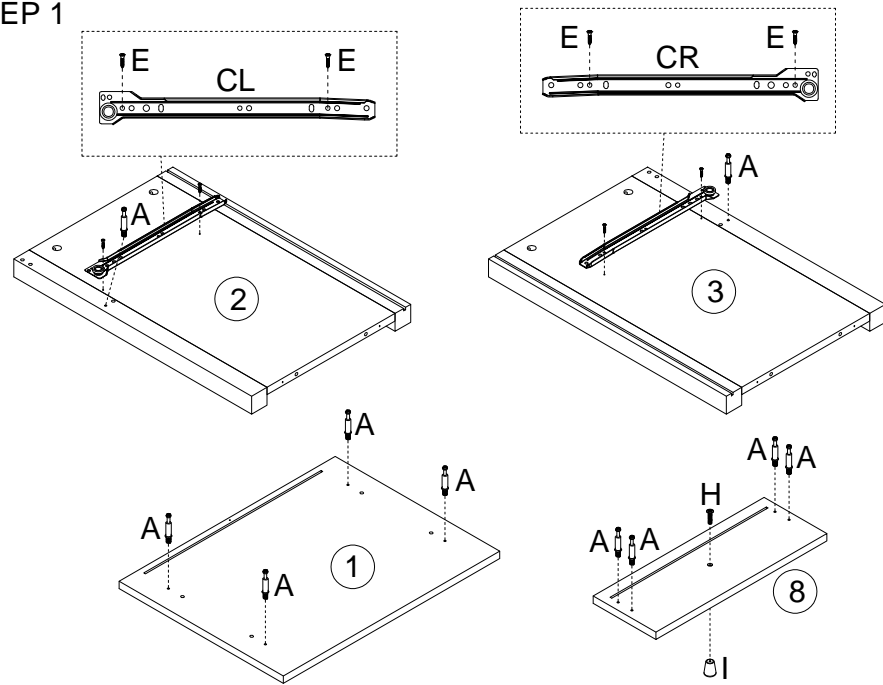


ASSEMBLY INSTRUCTION

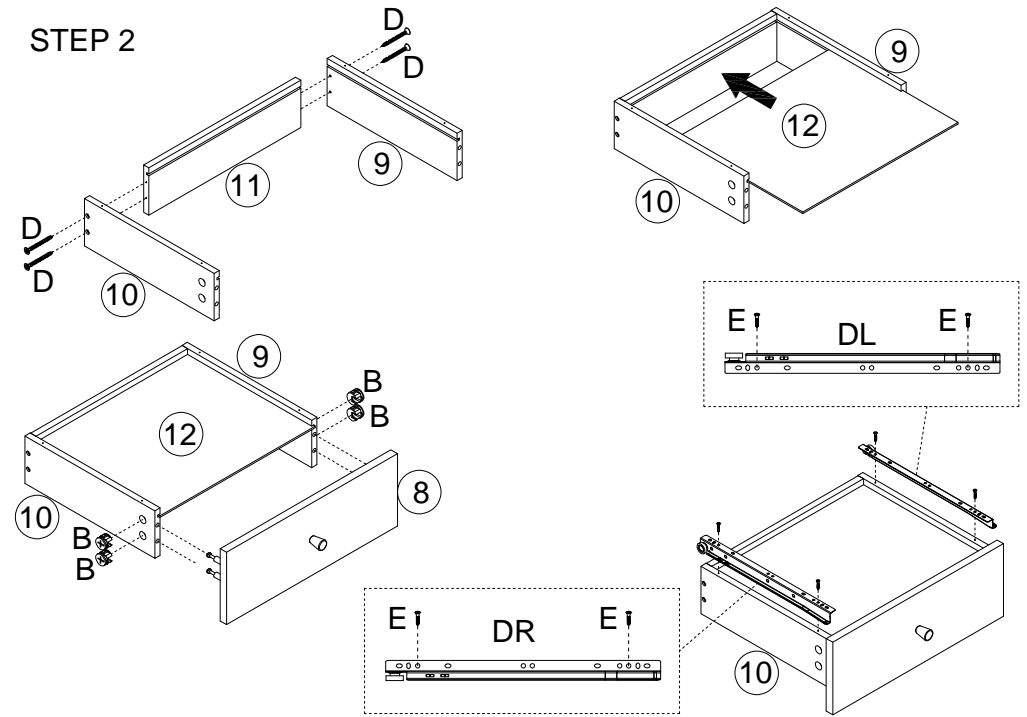


A	x 10	B	x 10	C	x 18	D	x 12	E	x 8
					6x30mm		4x35mm		3x12mm
F	x 4	G	x 4	H	x 1	I	x 1	J	x 1
	3x14mm				4x16mm				4x12mm
K	x 1	L	x 1	M	x 1	CL	x 1	CR	x 1
	4x35mm								
DL	x 1	DR	x 1						
									

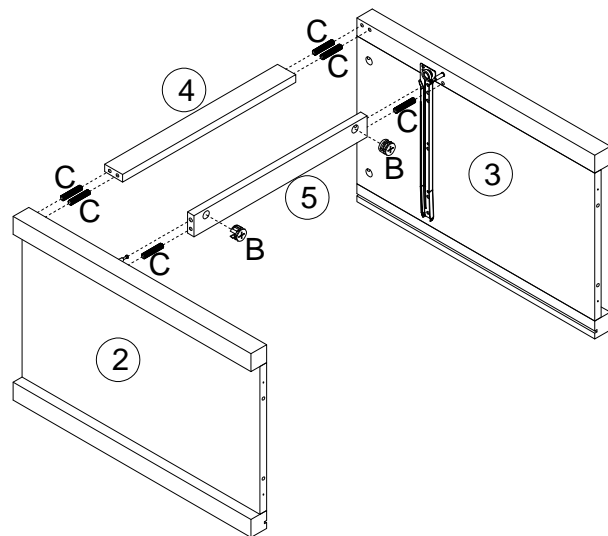
STEP 1



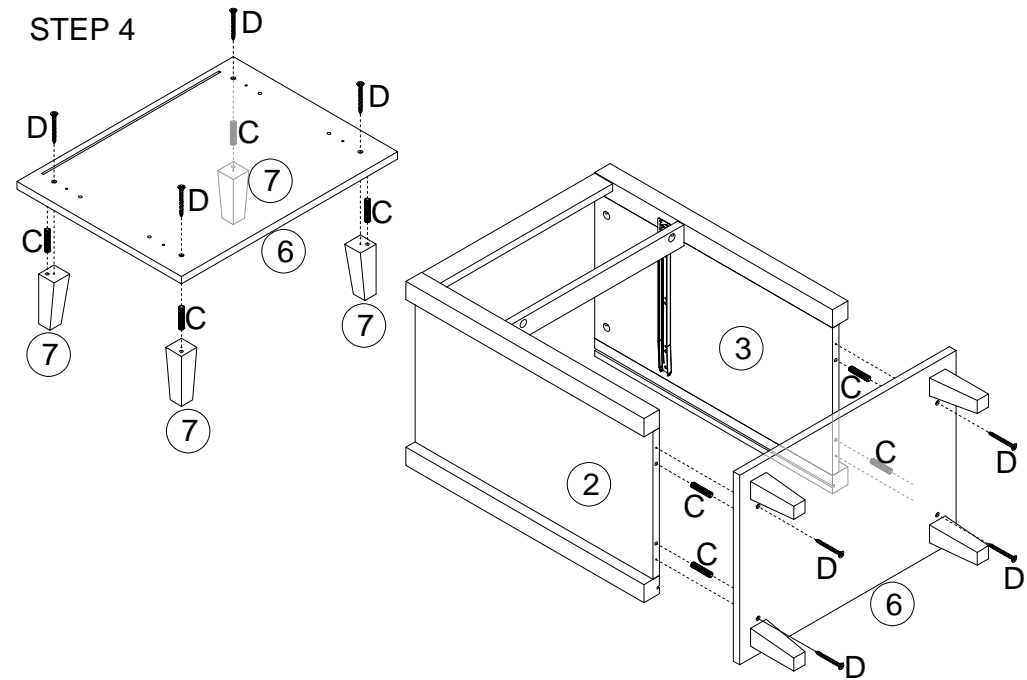
STEP 2



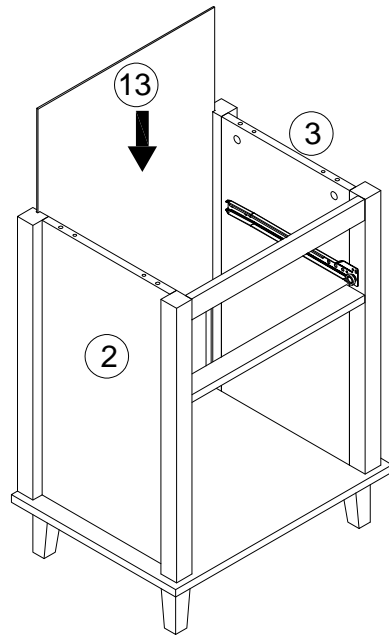
STEP 3



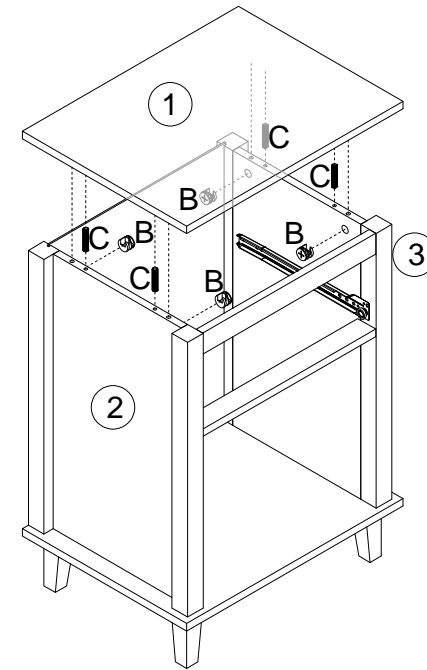
STEP 4



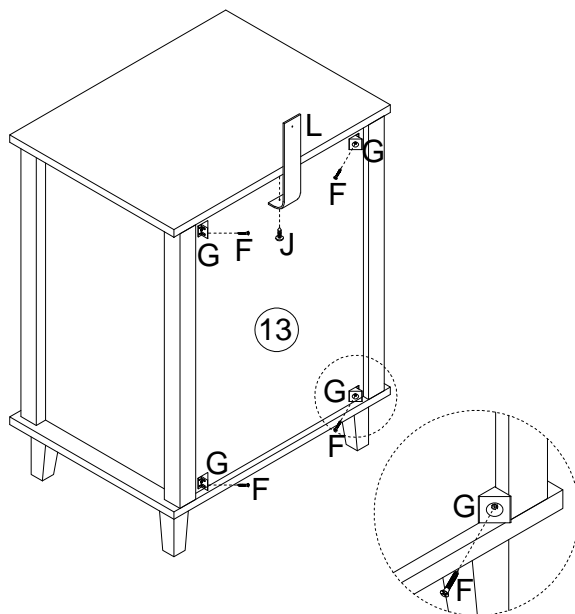
STEP 5



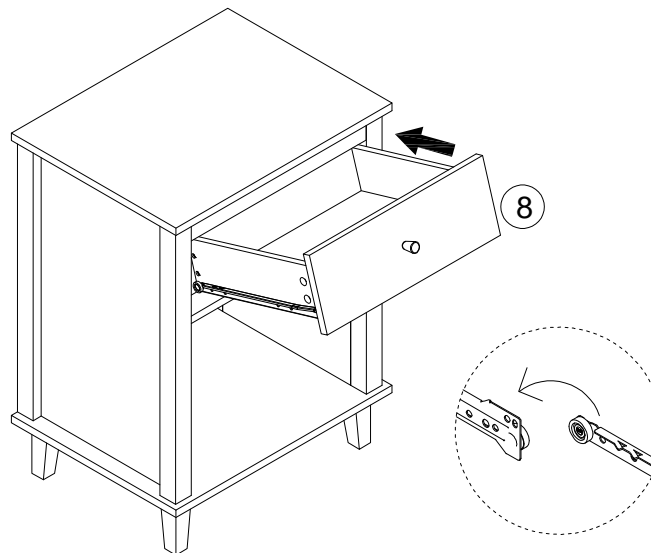
STEP 6



STEP 7



STEP 8 **Drawer Installation Tip** Tilt the drawer downward toward the cabinet to align the rollers, then push it in smoothly. Adjust if the panel looks uneven.



STEP 9

