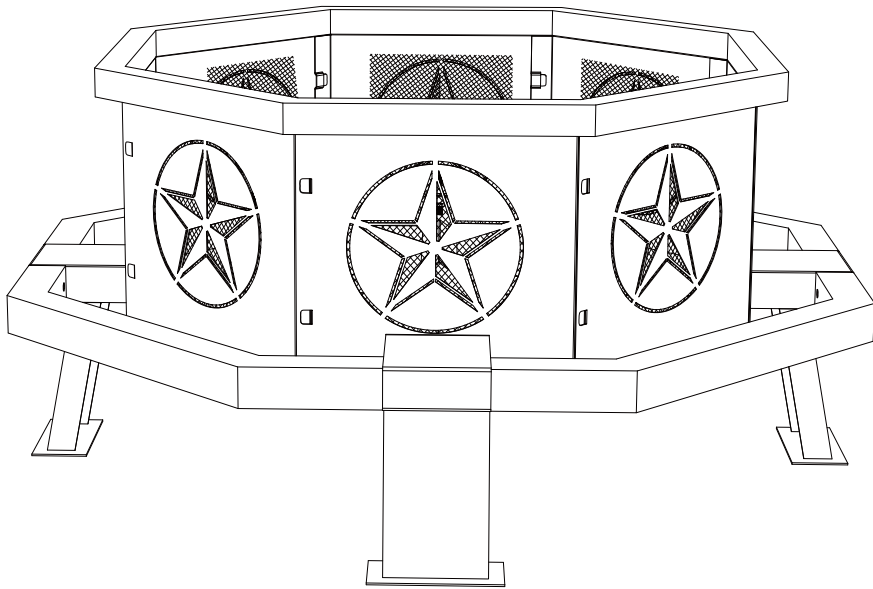


Assembly Instructions

35 Inch Octagonal Fire Pit

FT-11793




SAFETY INFORMATION

Please read and understand this entire manual before attempting to assemble, operate or install the product.

WARNING **FOR YOUR SAFETY**

- This fire bowl is intended for outdoor use only, never burn in vehicles, tents or indoor.
- Do not use the fire bowl to cook food, the fire bowl is not designed for grilling food.
- This fire bowl is intended to burn wood logs only. Do not use on wooden decks. Do not burn coal, leaves, or other combustible materials in the fire bowl. Keep away from combustible materials.
- Not for use by children. Keep children and pets away from the fire bowl.
- The fire bowl is hot. Use with caution. Do not touch the hot fire bowl with bare hands.
- Never leave the burning fire bowl unattended, and always extinguish the fire completely.
- Do not use fire bowl near flammable or combustible objects or materials.
- When the fire bowl is in use, the handle on the mesh screen can reach extreme temperatures that can cause serious injury to an unprotected hand. Use a poker or an appropriate heat resistant glove or pad when handling.
- The poker handle may become hot during and after use.
- Check local fire regulations and municipal by-laws for safe use.
- Some parts may contain sharp edges—especially as noted in the manual. Wear protective gloves if necessary.

 **WARNING:** This product can expose you to chemicals including carbon monoxide and carbon black, which are known to the State of California to cause cancer and birth defects or other reproductive harm. For more information go to www.P65Warnings.ca.gov.



SAFETY INFORMATION

Operating Instruction:

WARNING: Before using this outdoor Fire pit , make sure you have read, understand and are following all information provided in the important Safeguards presented on page 2. Failure to Follow those instructions can cause death, serious injury or property damage.

Lighting Instructions:

CAUTION: Do NOT add gasoline, kerosene, diesel fuel, lighter fluid or alcohol to relight or enhance an existing fire.

WARNING: Do NOT burn over 5 lbs untreated wood or fire logs in this fire pit.

Tending the fire:

You may need to shift and/or add logs for an ideal experience.

CAUTION: Do NOT place hot fire pit tools onto combustible surfaces such as grass, wooden deck or furniture.

1. Using heat resistant gloves and long handled fire pit tools, carefully remove the spark guard.
2. While using a long handled fire pit tool, shift coals and logs to allow additional airflow.

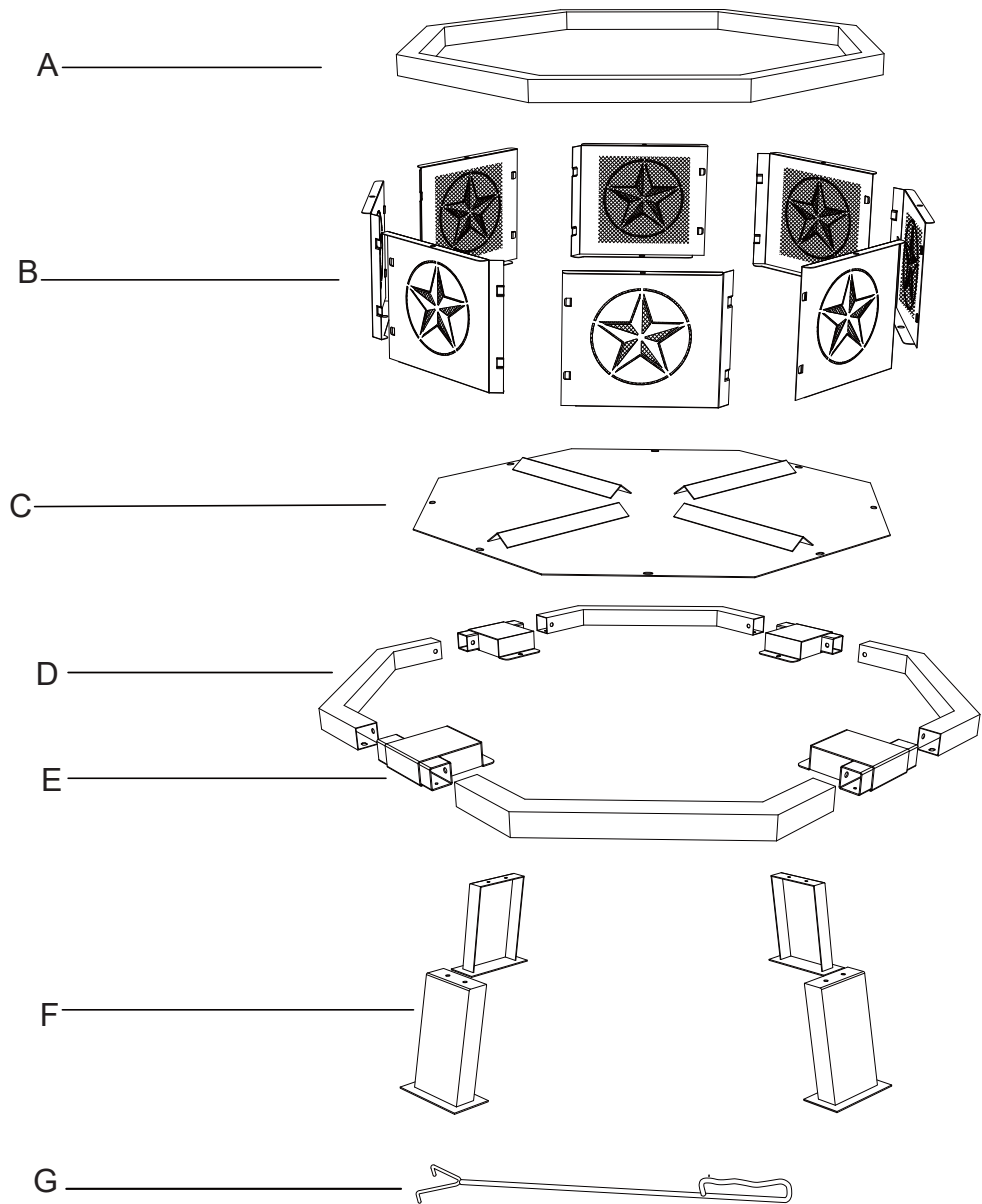
CAUTION: Do NOT add gasoline, kerosene, diesel fuel, lighter fluid or alcohol to relight or enhance an existing fire.

3. Wait until glowing coals have developed before adding any additional wood. If additional wood is required, place wood on top of coals. Be careful not to shift ashes
4. Using heat resistant gloves and long handled fire pit tool. Carefully replace the spark guard.

Extinguishing:

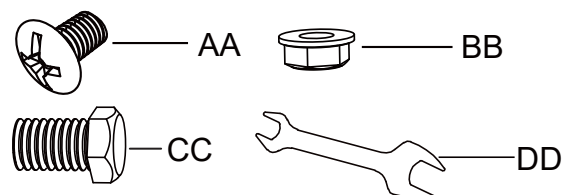
1. Allow fire to burn itself out.
2. Do NOT use water to extinguish as this is dangerous and can cause damage to the outdoor fire pit.

Part List



No.	PARTS	Qty
A	Upper Ring	1
B	Side Panel	8
C	Bottom of Fire Bowl	1
D	Outer Ring	4
E	Outer Ring Connection	4
F	Leg	4
G	Poker	1

No.	Hardware	Qty
AA	M6x12mm Bolt	32
BB	M6 Nut	4
CC	M6x10mm Hex Bolt	8
DD	Wrench	1

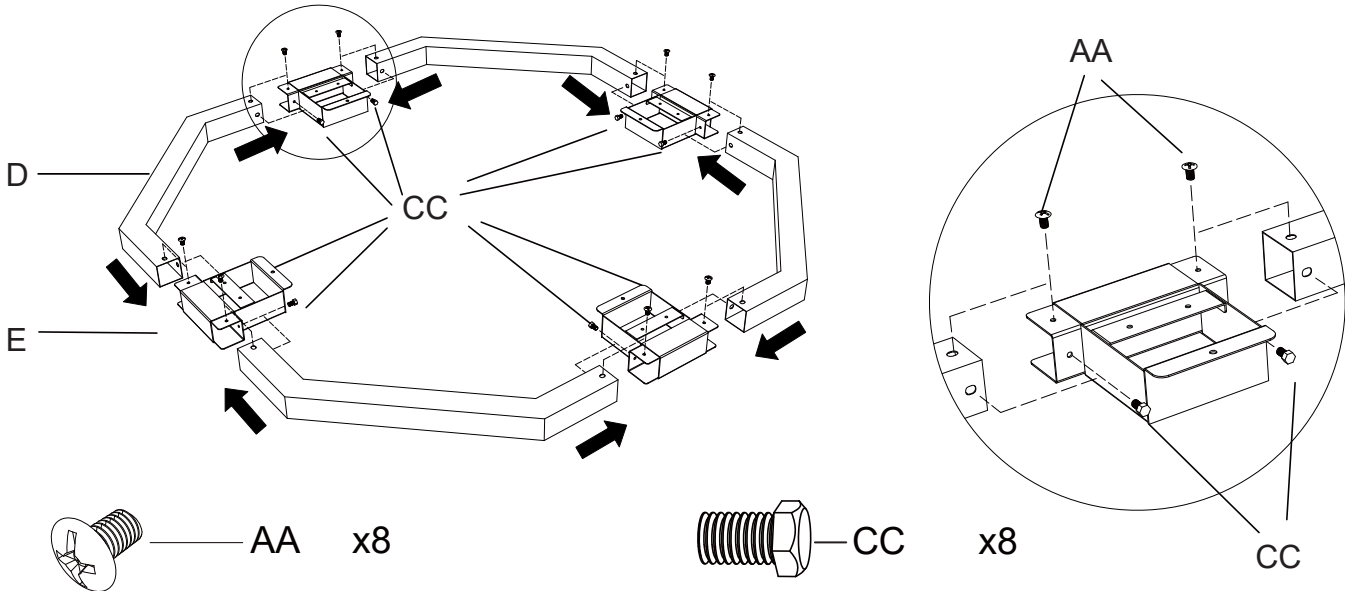


Assembly Instructions

NOTE: Assemble the fire pit on a non-abrasive surface. Some parts may contain sharp edges- especially as noted in the manual. Please wear protective gloves.

Step 1:

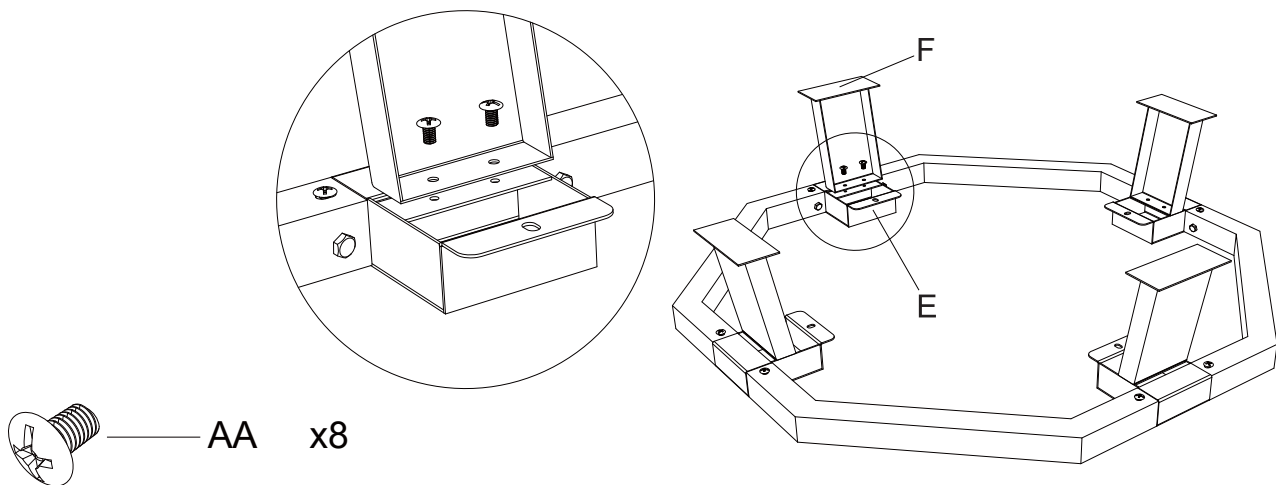
Attach Outer Ring Connection (E) to Outer Ring (D) with eight (8) M6 x 12 mm bolts (AA) and eight (8) Hex M6 x 10 mm bolts (CC).



Note: Please DO NOT tighten the hardware at this step.

Step 2:

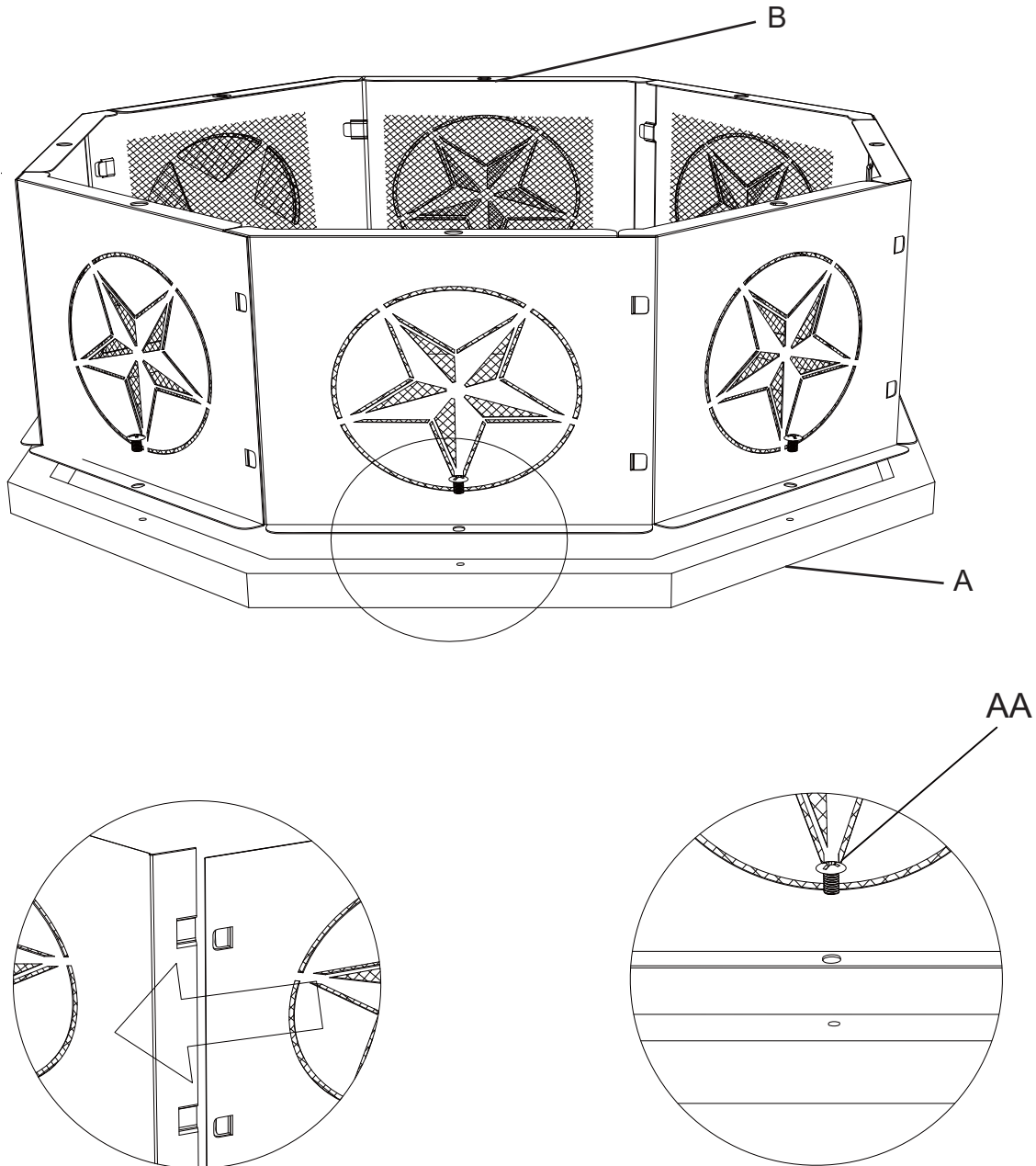
Attach Leg (F) to Outer Ring Connection (E) with eight (8) M6 x 12mm bolts(AA).



Note: Please tighten the eight hardwares at this step.

Assembly Instructions

Step 3: Place the upper ring (A) upside down on a flat, protected surface. Insert pins in the side panel (B) into slots of another side panel, then attach the assembled side panel to the upper ring using eight (8) M6 x 12 mm bolts (AA).

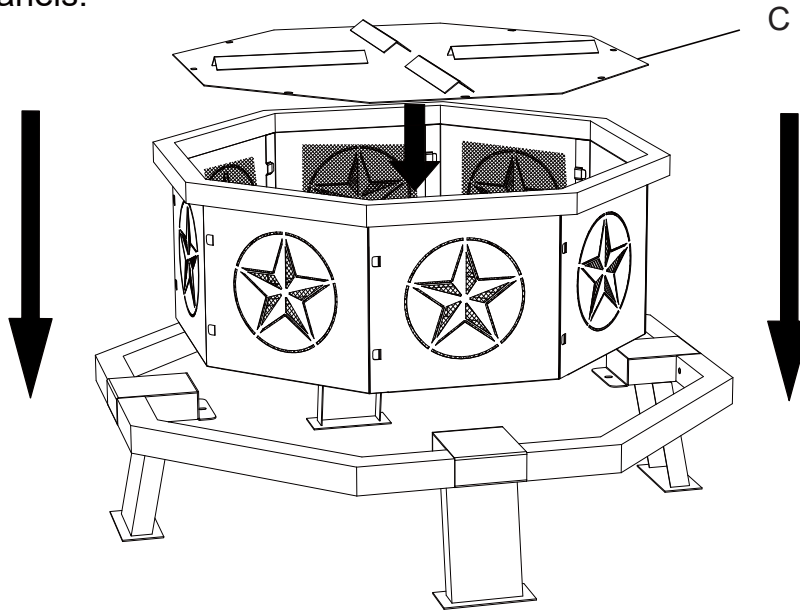


Note: Please DO NOT tighten the hardware at this step.

Assembly Instructions

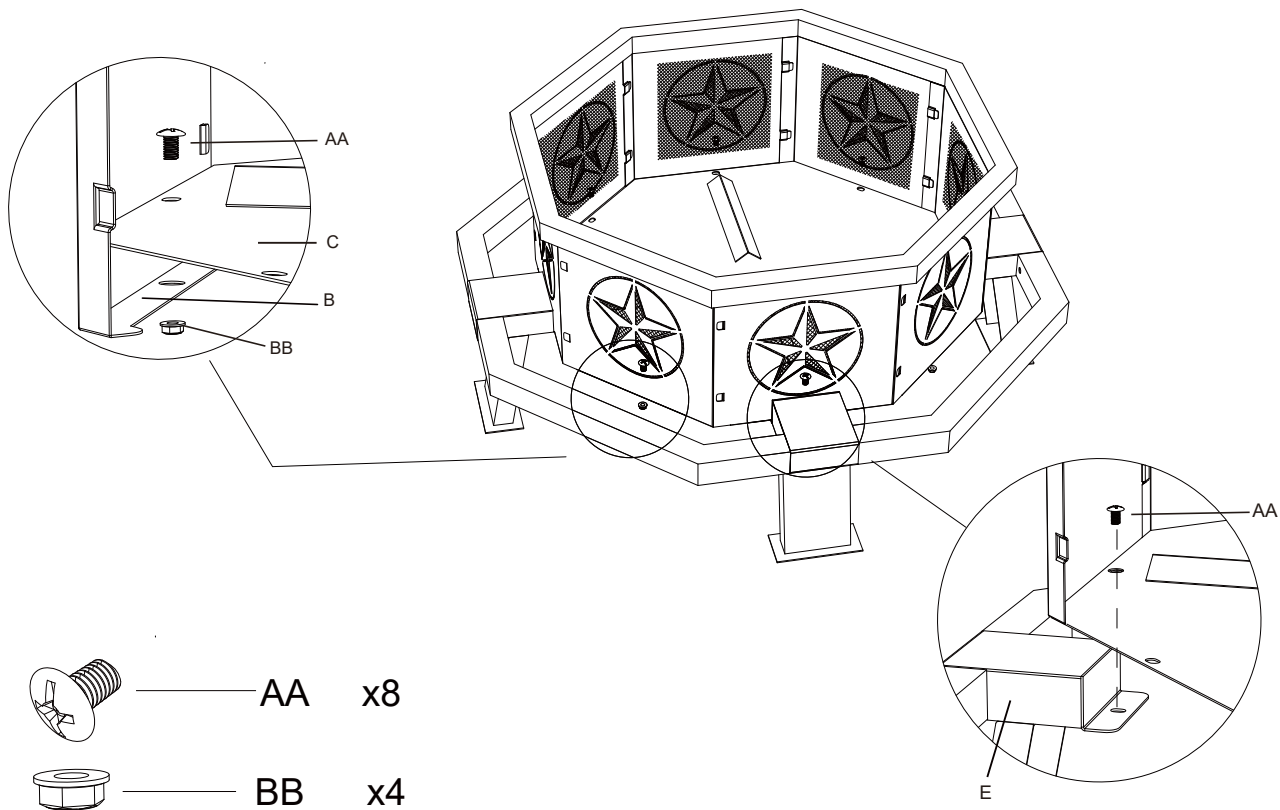
Step 4:

Put assembled side panels onto assembled base, put Bottom of Fire Bowl (C) into assembled side panels.



Step 5:

Connect Bottom of Fire Bowl (C) with side panel using four (4) M6 x12 mm bolts(AA) and four (4) M6 nuts (BB). Connect assembled fire bowl to Outer Ring Connection (E) using four (4) M6 x 12 mm bolts (AA).

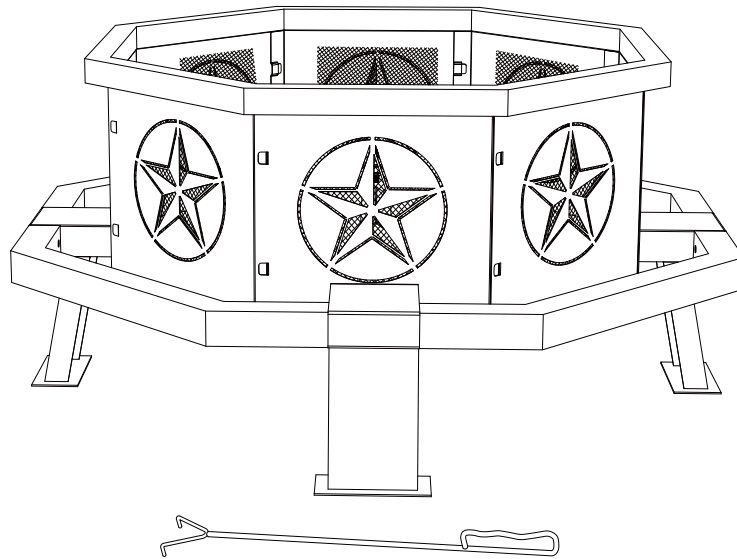


⚠ WARNING: HOT SURFACE! DO NOT TOUCH ANY HOT SURFACE. WEAR HEAT RESISTANT PROTECTIVE GLOVES.

Note: Please tighten all hardware at this step.

Assembly Instructions

Step 7: Put the Poker (G) near the fire pit.



MAINTENANCE

- To extend the life of your fire pit, clean it after each use.
- To Protect fire pit finish, use a soft cloth in lieu of bare hands while handling.
- Clean the fire bowl after each use once ashes have cooled.

CARE AND CLEANING

- Do not attempt to clean the fire pit until the fire is completely out and cooled completely.
- Use a soft cloth to wipe the fire pit and poker.
- Do not attempt to clean while hot.

STORAGE

- Do not attempt to move the fire pit while it is hot or in use.
- Store assembled in a cool, dry location away from children and pets.
- Keep the fire pit covered when cooled and not in use.

Welcome to share any pictures or videos about this fire pit!