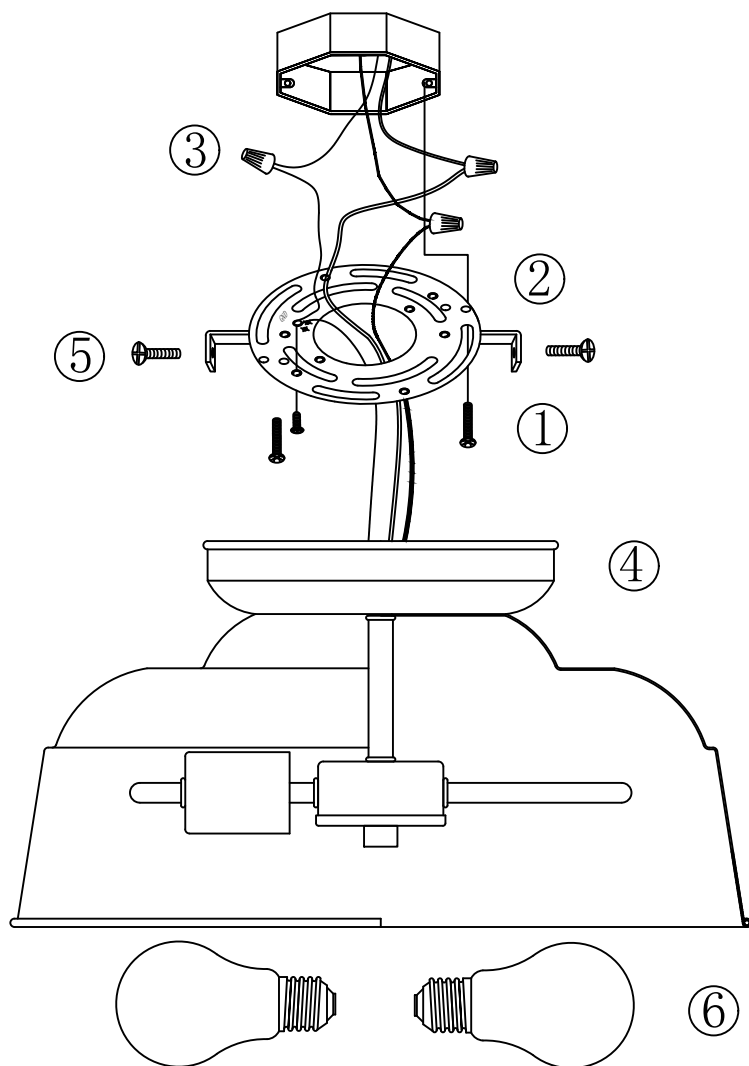


Assembly & Installation Instructions



PREPARATION before INSTALLATION:

1. If an existing fixture is being replaced, remove it and note to which wire in the outlet box the original fixture was attached.
2. Before discarding the carton, double-check the packaging to make sure all parts have been found.
3. This fixture was designed to be mounted on an octagon outlet box. The box must be securely mounted to the structure of the building.

IMPORTANT:

1. **WARNING** - Disconnect power before relamping or wiring the fixture. Turn off the entire electrical circuit to which the lighting fixture is attached.
2. Installation and maintenance of this fixture should be completed by a licensed electrician.
3. Failure to install the fixture correctly could result in serious injury or death.
4. Read all instructions before starting installation.

INSTALLATION STEPS:

- 1-2. Secure the mounting plate to the junction box with the mounting screws.
 3. Connect the wires using the wire caps as follows:
Connect the fixture's LIVE/HOT wire to the home LIVE/HOT wire.
Connect the fixture's NEUTRAL wire to the home NEUTRAL wire.
Connect the fixture's GROUND wire to the home GROUND wire to the mounting plate with the green screw.
- *Note: Ensure no wire strands are exposed.
- 4-5. Place the ceiling canopy over the mounting plate and press it tightly against the ceiling. Then feed the screws through the side holes on the upper part of the canopy, secure the light fixture to the mounting plate, and tighten the screws firmly.
 6. Install the bulbs (not included).