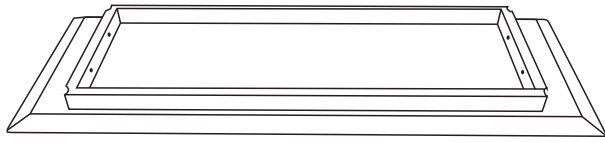


Assembly Instructions For Solid Acacia Recliner Table

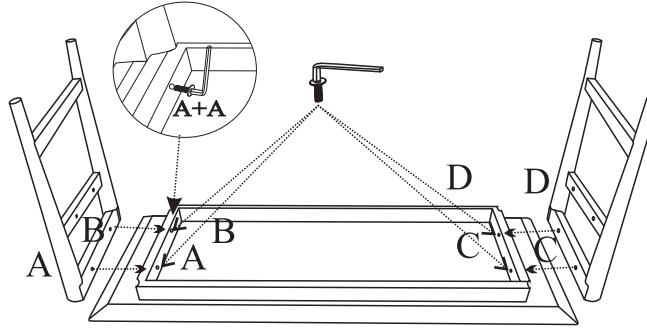
Step - 1

Lay the table top upside down on protective surface.



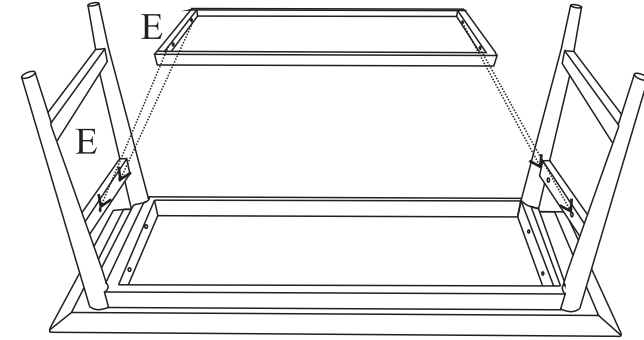
Step - 2

Coordinate the letters on the legs & letters on the bottom of the table top. Align the holes on the legs with the holes on the top and insert the **big bolts** & use supplied allen key to tighten the bolts to 50%.



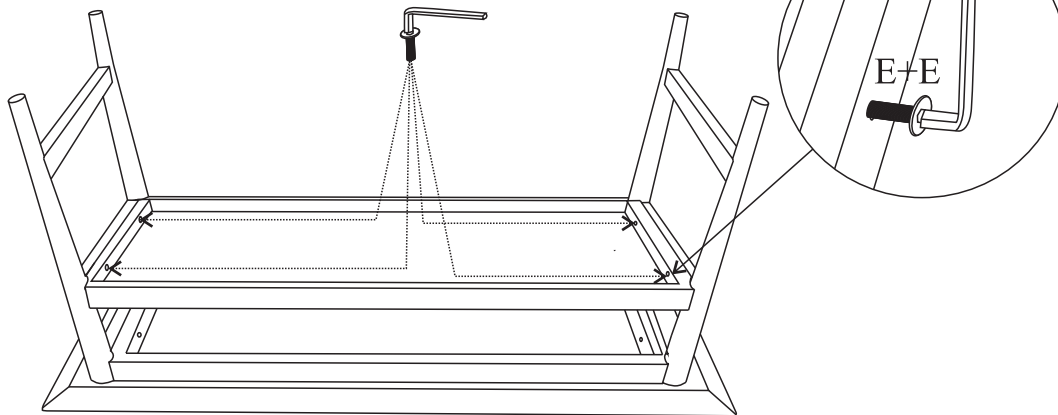
Step - 3

Coordinate the letters on the shelf & letters on the legs. Align the holes on the shelf with the holes on the legs.



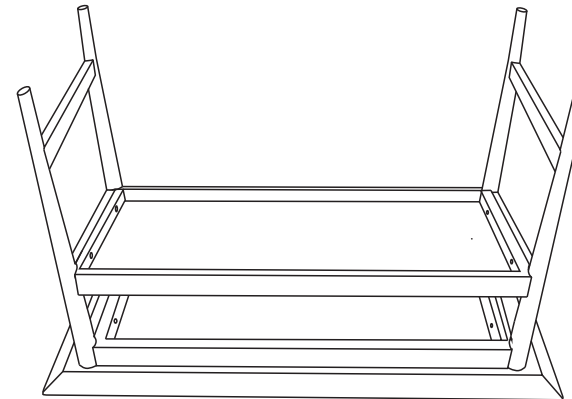
Step - 4

Insert the small bolts & use supplied allen key to tighten the bolts to 50%.

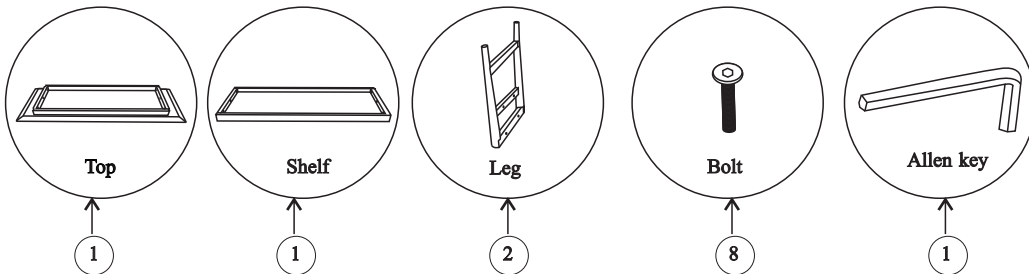
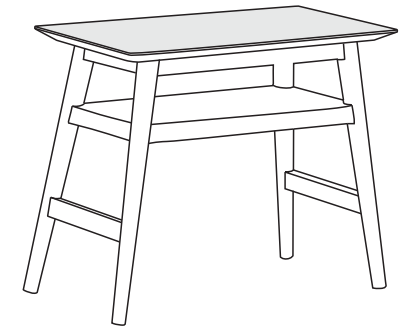


Step - 5

Tighten all the bolts to 100%.



Assembled View.



05-108-15-2024 | Washed walnut
28x14x22.5"

S.R. No.	Part	Qty.
1	Top	1
2	Shelf	1
3	Legs	2
4	Allen key	1
5	Bolts	8