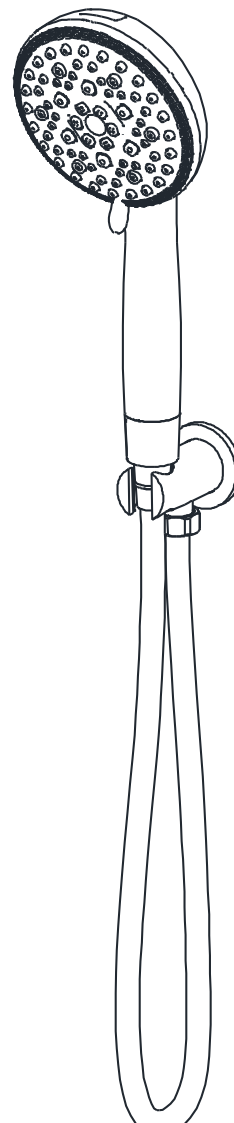
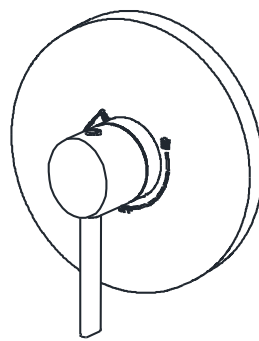
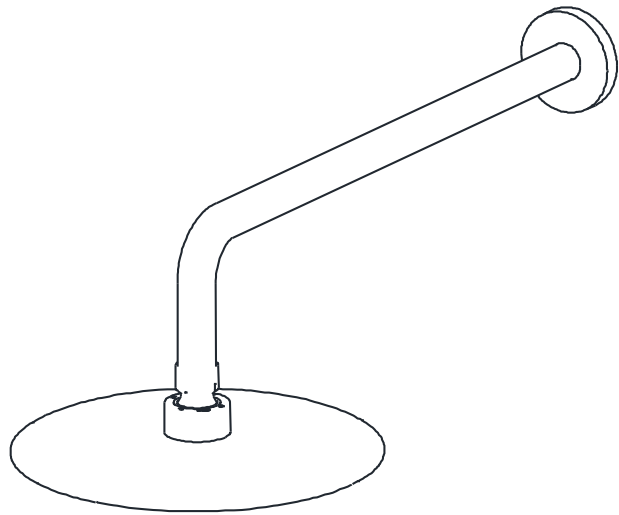


**INSTALLATION GUIDE**



**WALL- MOUNTED SHOWER SYSTEM**

MODEL	FINISH
S3244I-CH	CHROME
S3244I-BN	BRUSHED NICKEL
S3244I-BG	BRUSHED GOLD
S3244I-MB	MATTE BLACK
S3244I-MG	MATTE BLACK AND BRUSHED GOLD

**HOT LINE: +1-866-203-0866**

## THANK YOU

Dear Valued Customer,

Thank you for choosing SUMERAIN products. We would like to take this opportunity to express our sincere gratitude for your recent purchase. We hope you are completely satisfied with your new product. Rest assured, we meticulously engineer all SUMERAIN products and put them through rigorous factory tests to ensure their prolonged, trouble-free use under normal conditions.

Installing this product is as simple as it gets. All you need are some basic tools and our handy step-by-step illustrated guide. We wholeheartedly welcome any questions or feedback you may have. We eagerly anticipate the opportunity to assist you in the future. If you have any inquiries regarding this product, please do not hesitate to contact us at +1-866-203-0866 or email us at [support@sumerain.com](mailto:supports@sumerain.com).

Once again, we extend our gratitude for selecting SUMERAIN products. We remain committed to providing exceptional customer service.

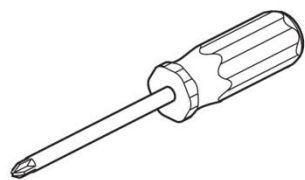
Sincerely,

SUMERAIN Customer Service Department

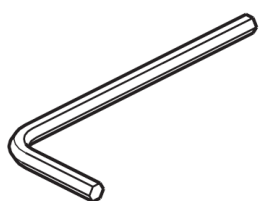
## BEFORE PROCEEDING

1. Unpack your new product and verify that all components are present in the package. Until you are ready to install the product, keep it in its original packaging.
2. Identify the water supply inlets and turn off the water supply valves. You'll typically find these valves near the water meter. If you're replacing an existing unit, make sure to remove the old one and clean the mounting surface thoroughly.
3. Adhere to all plumbing and building codes applicable in your area.
4. If you're not confident about installing the product yourself, we strongly recommend seeking help from a professional.

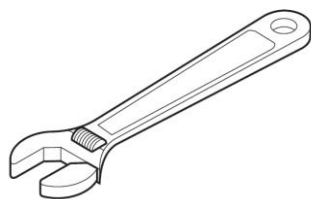
## TOOLS RECOMMENDED



Philips Screwdriver



Allen Wrench



Adjustable Wrench



Channel Locks



Teflon Tape

## LIMITED LIFETIME CONSUMER WARRANTY

VERSION: 140320.15.3

This product has been manufactured and tested to the highest quality standards by HONGKONG SUMERAIN SANITARY INDUSTRY Co., Limited ("SUMERAIN"). This warranty applies solely to SUMERAIN products purchased by consumers in the United States after January 1st, 2020. In the event that a faucet experiences leaks or drips during regular usage, SUMERAIN will provide the necessary faucet cartridge to the purchaser, free of charge, in order to restore the faucet to proper working condition. If any defects are identified during normal residential use, SUMERAIN will, at its discretion, perform repairs, provide replacement parts or products, or make appropriate adjustments to ensure the product's optimal functionality.

### WHO IS COVERED BY THE WARRANTY

This warranty provides exclusive coverage to the original consumer purchaser, including those who have made purchases through online retail platforms. However, online retail customers who are specifically covered by the "Online CONSUMER Limited Lifetime WARRANTY & Return policy" are also included. Please note that this warranty is non-transferable and cannot be assigned to any other party.

### WHAT IS COVERED BY THE WARRANTY

This warranty is applicable only to the SUMERAIN manufactured product that you have purchased. SUMERAIN provides the following warranty against defects in material or workmanship: under normal installation, use, servicing, and maintenance, if the product or any of its components prove to be defective due to improper workmanship or materials, SUMERAIN will, at its discretion, provide free replacement parts or replace the entire product.

### FINISH WARRANTY

Customers are responsible for thoroughly inspecting the product for any material or finish defects within three days of receiving it. Please note that SUMERAIN does not cover surface finish defects under warranty once the fixture has been installed.

### ELECTRONIC FAUCETS WARRANTY

SUMERAIN guarantees its LED components, including electronic faucets, valves, controllers, and battery-powered devices, against material and manufacturing defects for one year from the date of purchase, under normal use. The water flow impeller power device (LED faucet power generation device) is guaranteed to be free from manufacturing defects for the first three months from the date of purchase.

### LENGTH OF WARRANTY

As stated in the following, any replacement or repaired parts of the product will be covered for the duration of this warranty, which SUMERAIN provides for a period of 1 year from the original date of purchase.

### CIRCUMSTANCES THAT SUMERAIN WILL NOT WARRANT AND PAY FOR:

- A. Conditions, malfunctions, or damage that do not result from defects in material or workmanship.
- B. Conditions, malfunctions, or damage resulting from normal wear and tear, improper installation, improper maintenance, misuse, abuse, negligence, accidents, alterations, or the use of abrasive or caustic cleaning agents, "no-rinse" cleaning products, or the product in a manner contrary to the provided instructions. This includes home conditions such as excessive water pressure or corrosion.
- C. Labor or other expenses associated with disconnection, deinstallation, or return of the product for warranty service, as well as installation or reinstallation of the product.
- D. Accessories, connected materials, and products (including but not limited to hand shower flexible hose, spray flexible hose, hand shower, shower head), or related products that are not manufactured by SUMERAIN.

### TO OBTAIN WARRANTY PARTS OR INFORMATION

To obtain warranty parts or information professionally, please follow the steps below:

Contact your SUMERAIN retailer or dial the technical service phone number at +1-866-203-0866, or send an email to [supports@sumerain.com](mailto:supports@sumerain.com).

When applying for warranty service, you will need to provide the following information:

- a. Sales receipt or other evidence of purchase date and platform.
- b. Detailed description of the problem.
- c. Ship the product or defective parts to the designated SUMERAIN warehouse in the United States with prepaid postage. Please ensure careful packaging and insurance of the items. Once the warranty service is completed, any repaired or replaced products or parts will be shipped back to you with prepaid postage.

If you have any further questions or need additional assistance, please contact the provided contact information.

### EXCLUSIONS & LIMITATIONS

Pursuant to the terms of this warranty, repair, replacement (or, in limited circumstances, refund of the purchase price) shall be the sole remedy available to the purchaser. SUMERAIN assumes no obligations or liabilities and does not authorize any individual to create obligations or liabilities in relation to this product. SUMERAIN shall not be held liable to the purchaser or any party for any incidental, special, or consequential damages resulting from a breach of this warranty or any implied warranties (including merchantability). Please note that certain states do not allow the exclusion or limitation of incidental or consequential damages, therefore the aforementioned limitation or exclusion may not apply to you. This warranty grants you specific legal rights, and you may also have additional rights that vary from state to state. Before initiating any legal proceedings against us under the Magnuson-Moss Warranty Act, you may be legally required to provide us with a reasonable opportunity to rectify or resolve any non-compliance.

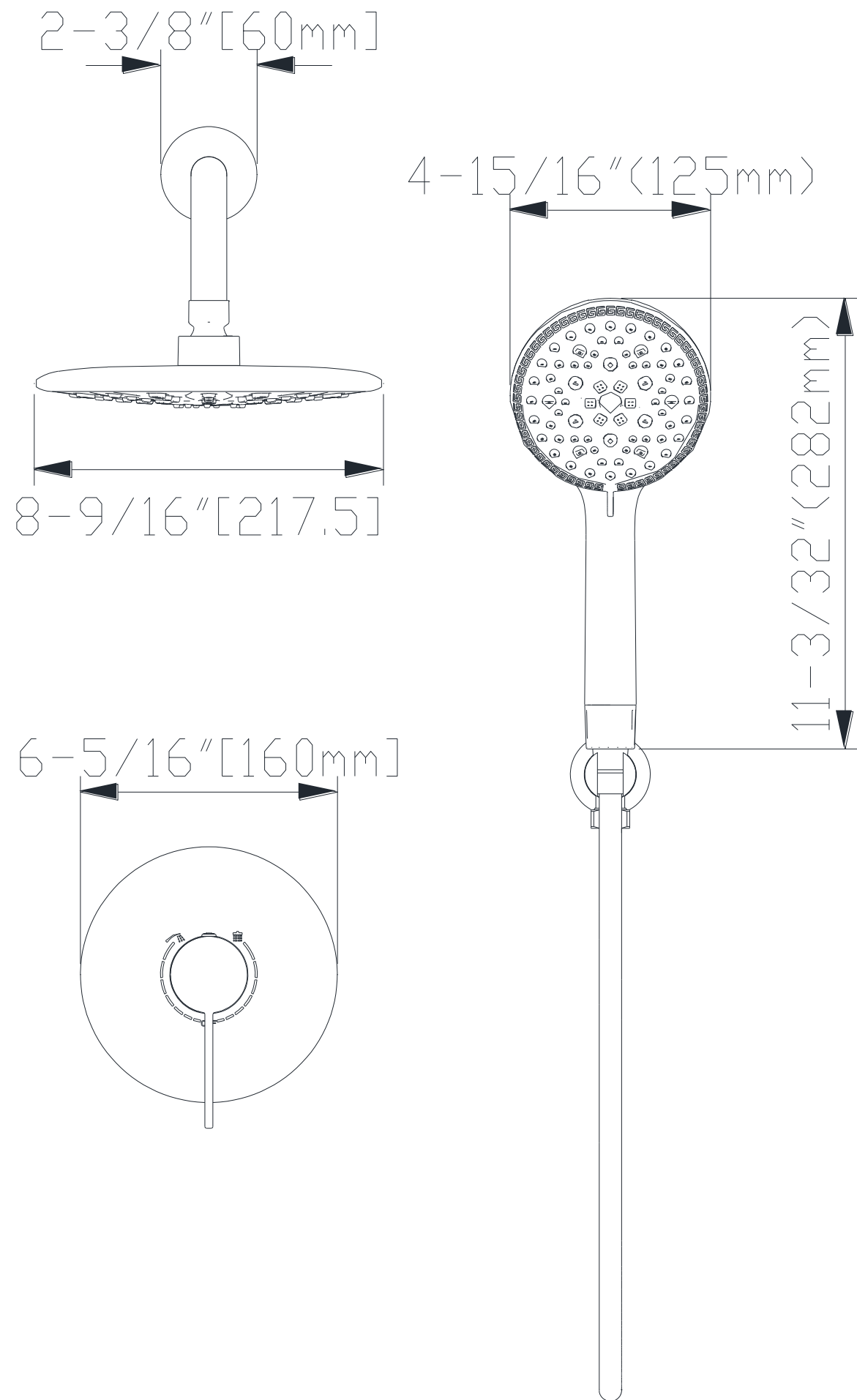
### PRODUCT INSTRUCTIONS & QUESTIONS

Prior to installation, we strongly recommend conducting a meticulous inspection of your SUMERAIN product to identify any potential damage or visible defects. It is crucial to thoroughly review the accompanying instructions regarding the correct installation, maintenance, and care procedures for the product. Should you have any inquiries regarding the utilization, installation, performance, or this warranty of your SUMERAIN product, please don't hesitate to reach out to us at +1-866-2030-866 or via email at [supports@sumerain.com](mailto:supports@sumerain.com). Our dedicated team is readily available to provide professional assistance and address any concerns you may have.

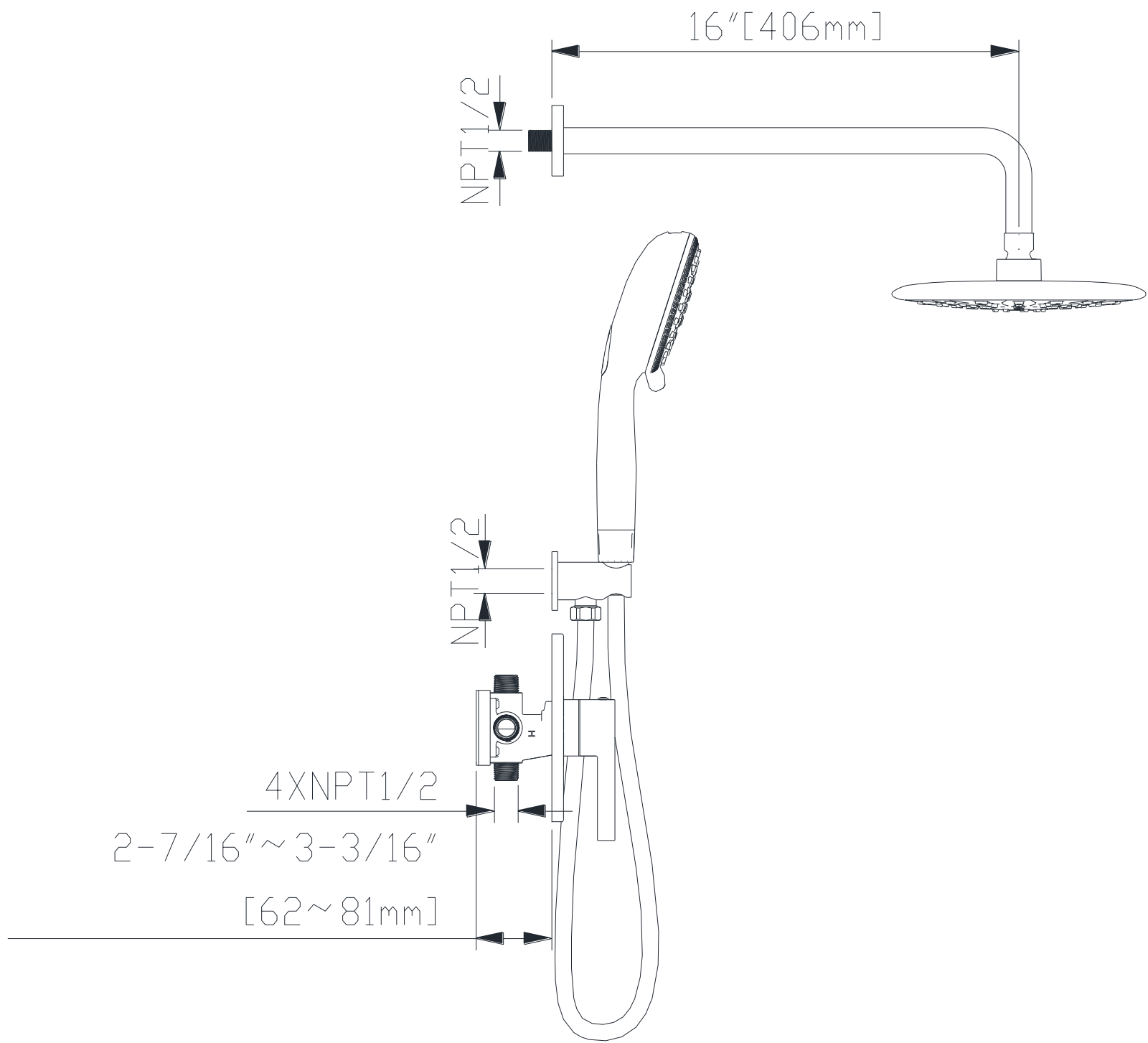
## FUNCTIONS & SPECIFICATIONS

<b>Faucet Type</b>	Shower System
<b>Feature</b>	Concealed Shower Faucet
<b>Theme</b>	Modern, Contemporary
<b>Mounting Type</b>	Wall Mount
<b>Finish</b>	Chrome, Brushed Nickel, Matte Black, Brushed Gold, Matte Black & Brushed Gold
<b>Number Of Handles</b>	One
<b>Handles Material</b>	Metal
<b>Handle Style</b>	Lever
<b>Shower Arm Reach</b>	16 Inch [406mm ]
<b>Showerhead Width</b>	8-9/16 Inch [217.5mm]
<b>Showerhead Length</b>	8-9/16 Inch [217.5mm]
<b>Valve Type</b>	Φ 35 Ceramic Cartridge
<b>Faucet Body Material</b>	Brass
<b>Escutcheon Material</b>	Zinc Alloy
<b>Diverter Included</b>	Yes
<b>Diverter Location</b>	Rough-in Valve
<b>Showerhead Type</b>	Rain Shower
<b>Showerhead Shape</b>	Circle
<b>Showerhead Function</b>	Single Function
<b>Showerhead Material</b>	Plastic
<b>Showerhead Flow Rate</b>	1.8 GPM [6.8L/min] @60PSI
<b>Hand Shower Flow Rate</b>	1.8 GPM [6.8L/min] @60PSI
<b>Elbow Material</b>	Brass
<b>Hand Shower Holder Material</b>	Brass
<b>Hand Shower Material</b>	Plastic
<b>Hand Shower Height</b>	11-3/32 Inch [282mm]
<b>Hand Shower Width</b>	4-15/16 Inch [125mm]
<b>Net Weight</b>	5.97lbs [2.71KG]
<b>Gross Weight</b>	7.89lbs [3.58KG]
<b>Packing Box [L x W x H]</b>	19-11/16"[500mm]x13-19/32"[345mm]x5-5/16"[135mm]

**DIMENSION**



**FRONT VIEW OF SHOWER**



**SIDE VIEW OF SHOWER**

## INSTALLATION STEPS

### 1. BEFORE PROCEEDING



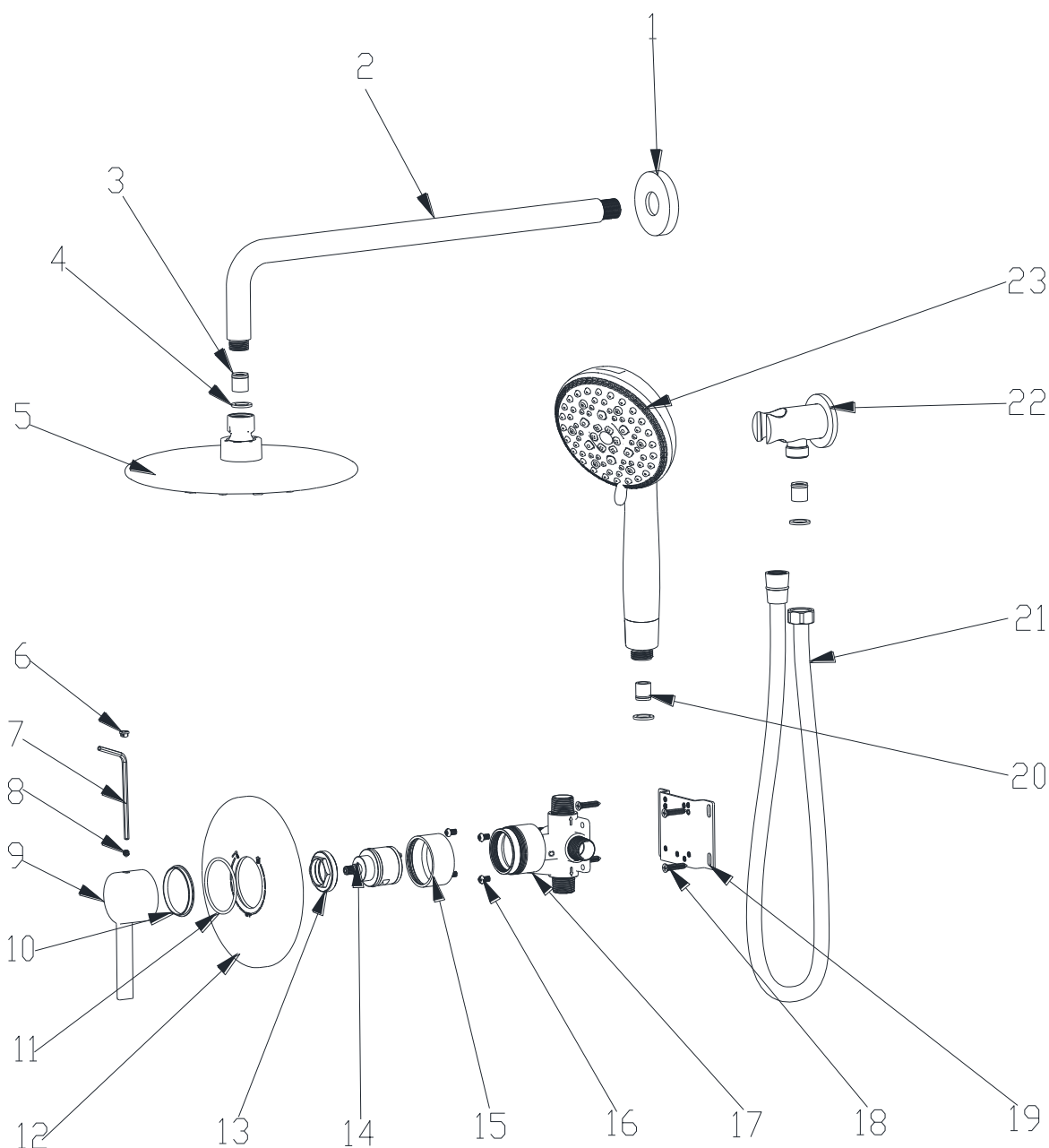
**WARNING:** Before proceeding with any operation, please read all instructions thoroughly. If you are uncertain about installing this product, please consult a professional! This product should be installed in accordance with all local and state plumbing and building codes. It is recommended to seek professional assistance.

### 2. SHUT OFF WATER SUPPLY

Locate the water supply inlets and shut off the corresponding water supply valves, typically found near the water meter. If replacing an existing unit, remove the old unit and thoroughly clean the mounting surface.

### 3. CHECKING THE CONTENTS OF THE BOX

Upon opening the box, check to ensure that all the following items are included.



NO	ITEM NAME	MATERIAL	QTY	PART NO.	NO	ITEM NAME	MATERIAL	QTY	PART NO.
1	Shower Arm Flange	SUS304	1	PFC00001XX	13	Bonnet	HPB59-1	1	PSC38125XX
2	Shower Arm	SUS304	1	PPI32260XX	14	Cartridge with 2 Outlet	ASSEMBLE	1	PCT35002XX
3	Check Valve	ASSEMBLE	2	PAE00044XX	15	Sleeve	HPB59-1	1	PSL32140XX
4	Rubber Washer	NBR	3	PRW19020XX	16	Set Screw	SUS304	4	PSC05085XX
5	Shower Head	ASSEMBLE	1	PTR32440XX	17	Valve Body	HPB59-1	1	PVB32401XX
6	Screw Cover	PVC	1	PSA00002XX	18	Set Screw	SUS304	4	PSC00004XX
7	Allen Wrench 2.8mm	Fe45#	1	PSA00003XX	19	Mounting Bracket	SUS304	1	PSA32400XX
8	Set Screw	SUS304	1	PSC05051XX	20	Check Valve	ASSEMBLE	1	PAE00043XX
9	Handle(lever)	Zn Alloy No.3	1	PHD32400XX	21	Shower Hose	ASSEMBLE	1	PFH00015XX
10	T-Washers	POM	1	PRW48452XX	22	Hand Shower Holder	ASSEMBLE	1	PHH32322XX
11	O-Ring	NBR	1	POR53025XX	23	Handheld Shower	ASSEMBLE	1	PHS32440XX
12	Escutcheon	Zn Alloy No.3	1	PCP32400XX					

If any of these items are missing, please contact SUMERAIN consumer service by email to: [supports@sumerain.com](mailto:supports@sumerain.com).

## 4. PLANNING AND INSTALLATION INSTRUCTIONS



**Attentions:** The shower has to be installed, rinsed and checked in compliance with the applicable regulations in order to guarantee proper shower function!

The dimensions of the shower set-up must be individually.

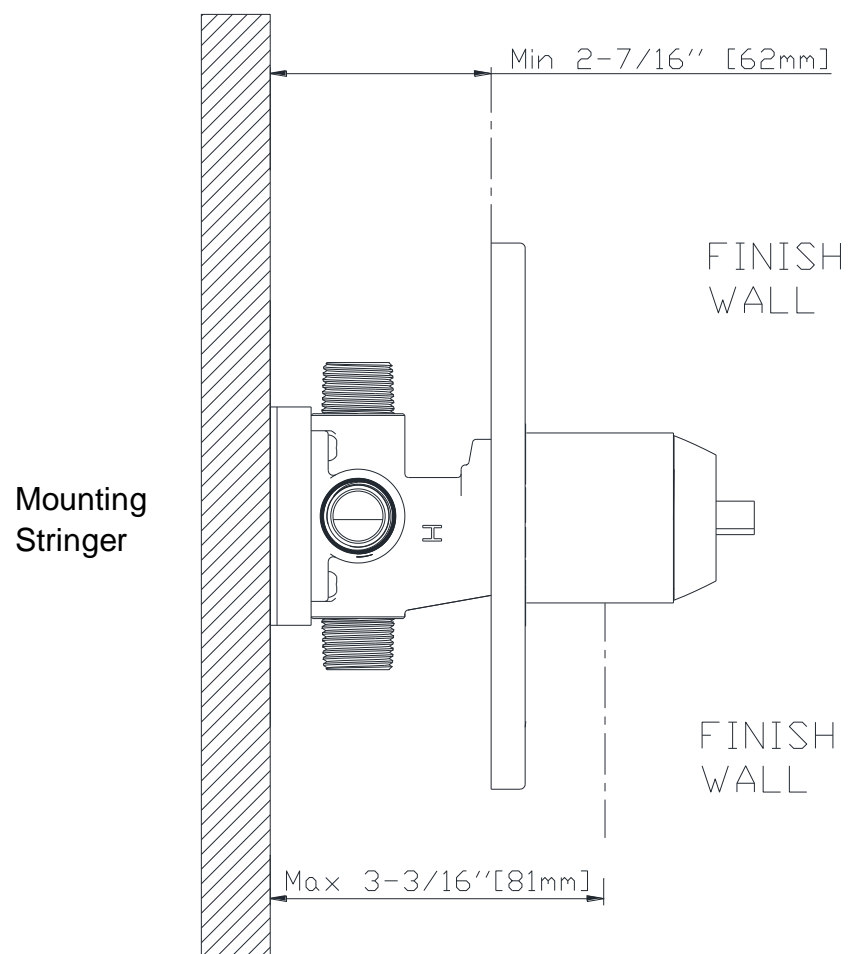
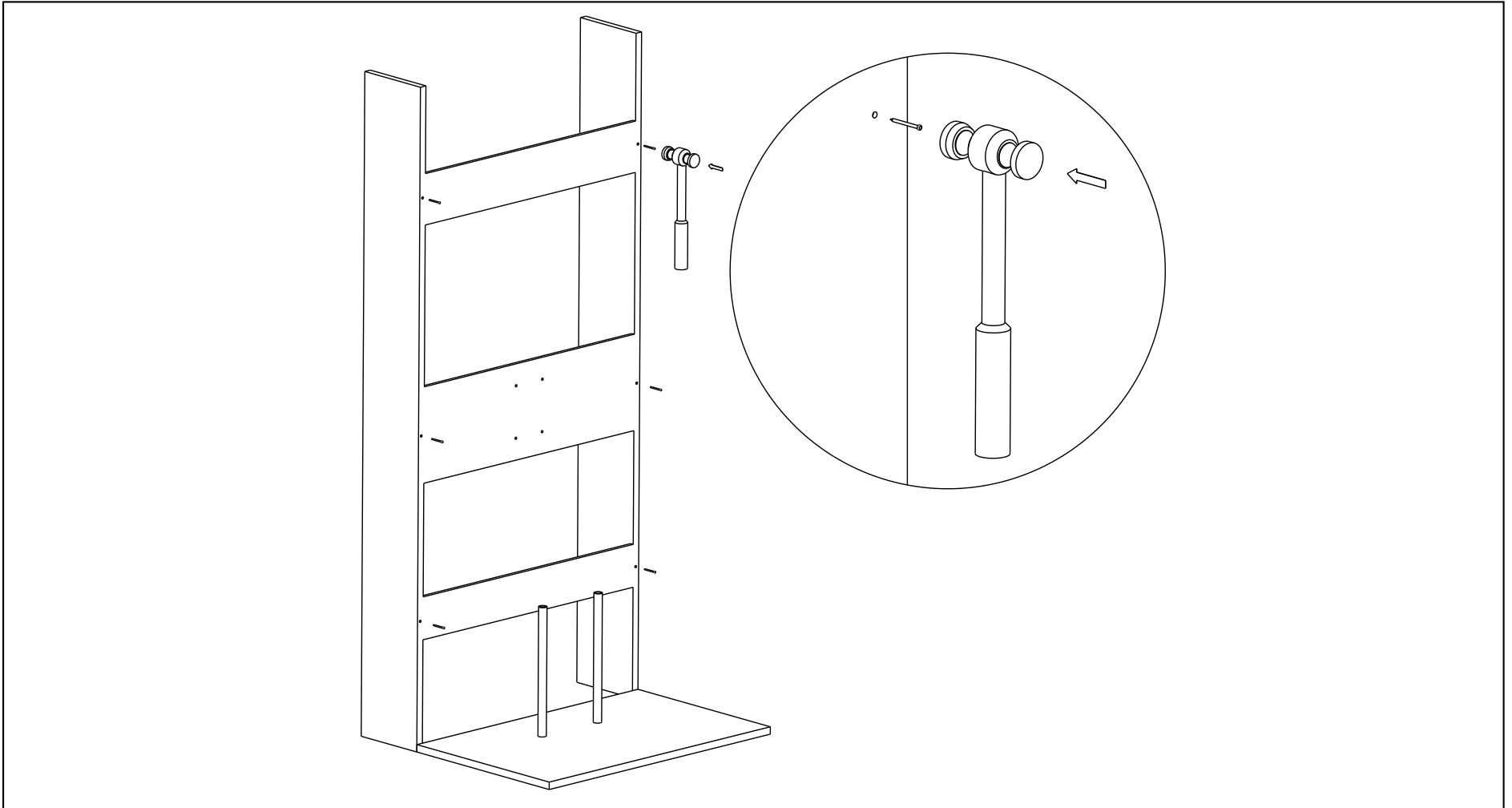
Operating pressure at the control valve:

Max. 145PSI [1Mpa]. Recommended operating pressure: 43.5PSI [0.3Mpa].

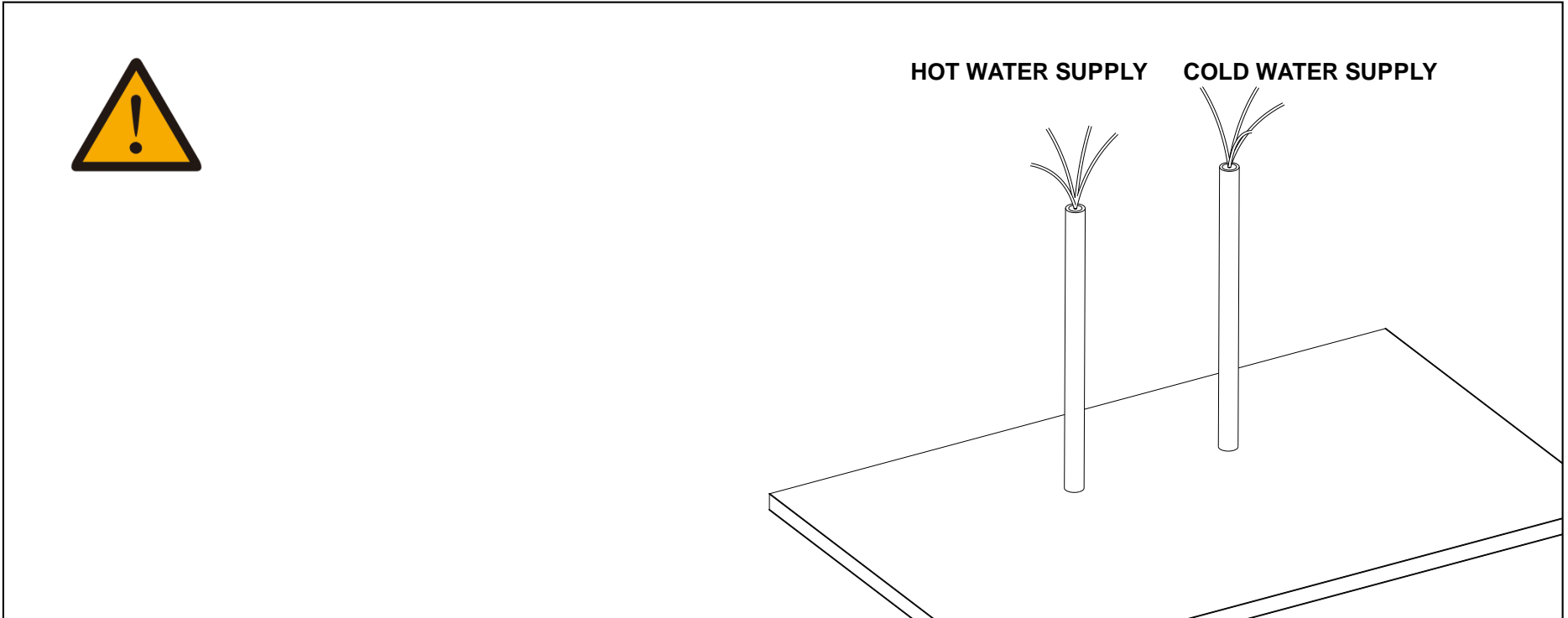
Hot water temperature: Max 140 Fahrenheit (60 degree centigrade).

## 5. Rough-in Valve Installation

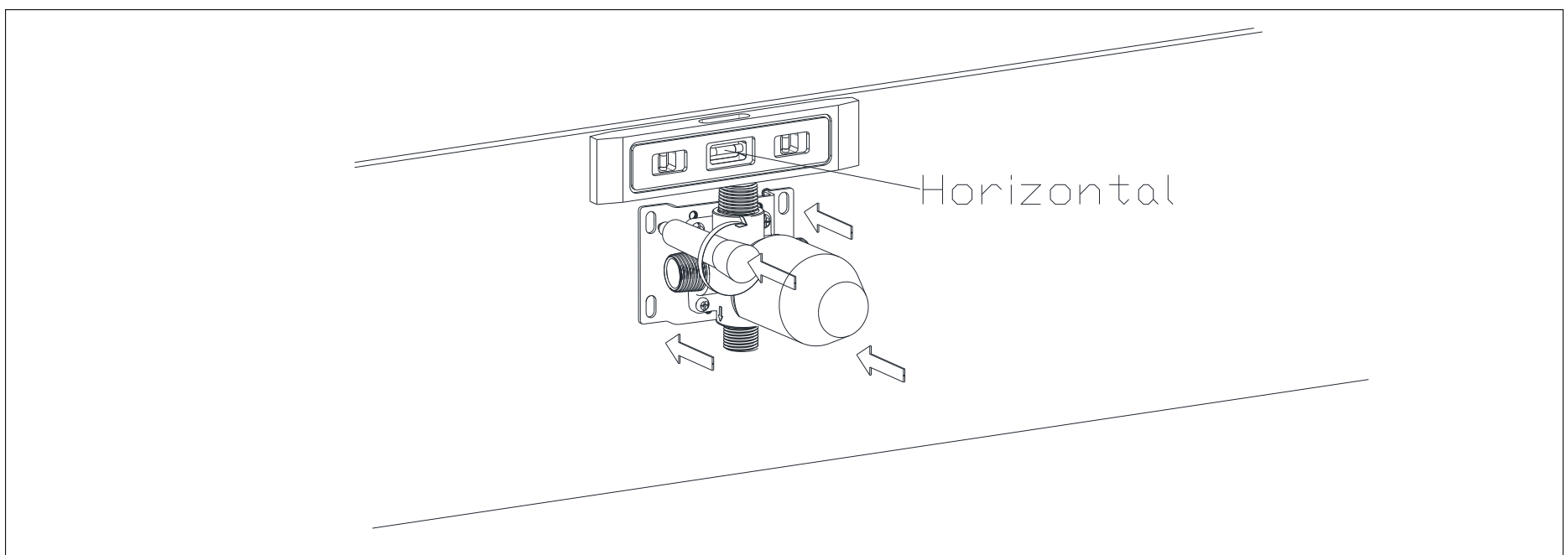
**5.1** Make a mounting rack (normally use wood as material) for preparing install the rough-in valve assembly. The face of the mounting board should be positioned a minimum of 2-7/16" [62mm] to a maximum of 3-3/16" [81mm] behind the finish wall surface.



5.2 Turn on your shut-off valve for cleaning the hot and cold water supply pipe before connect to the valve body, allow the water flush 3~5 minutes to flush out dirt and debris. Shut off the water supply again after finish.



5.3 Locate and level the valve assembly with air level. Mark the mounting hole of rough-in valve on mounting rack.

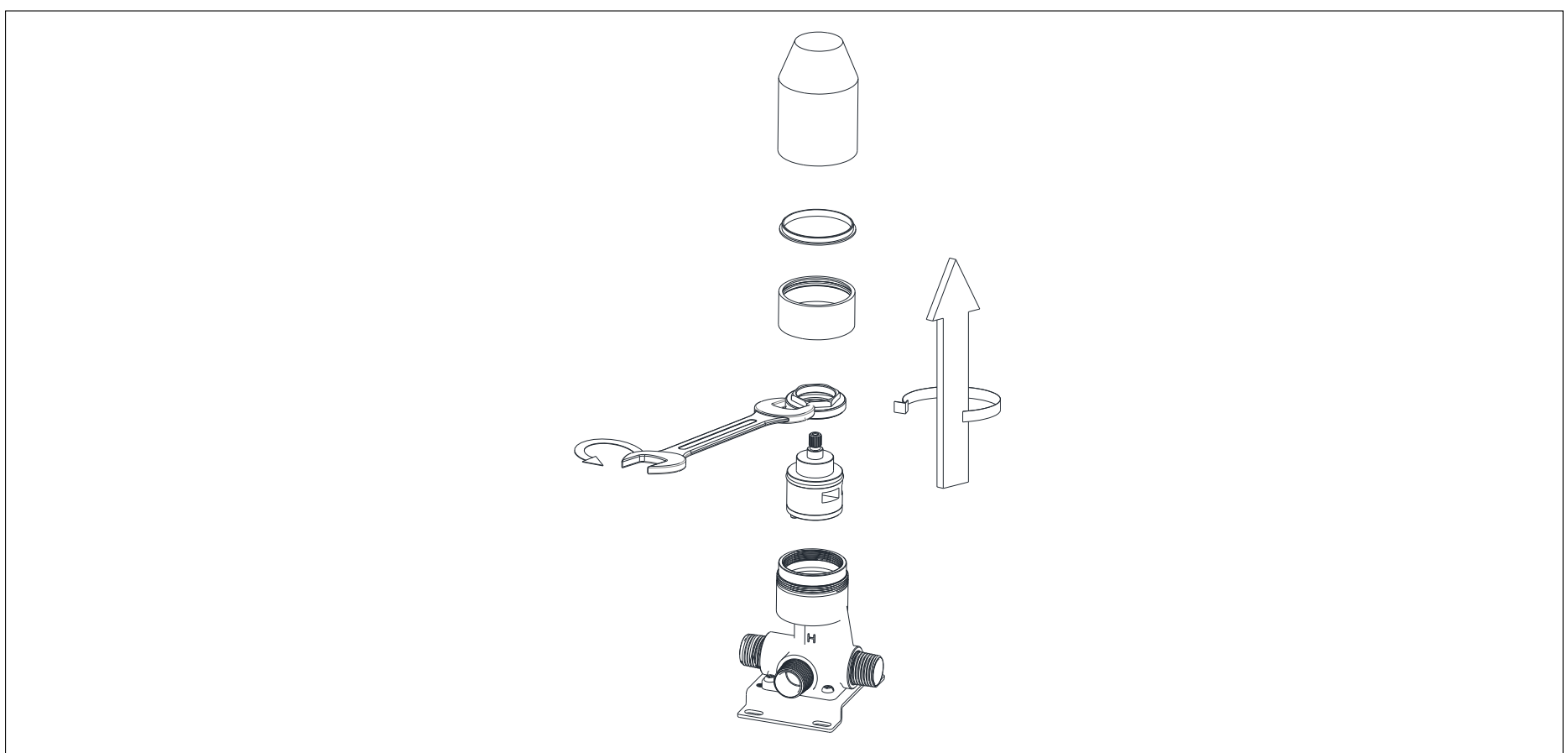


5.4 Connect the valve body to the water supply system using the appropriate fittings for your valve type (copper, iron, or PEX).

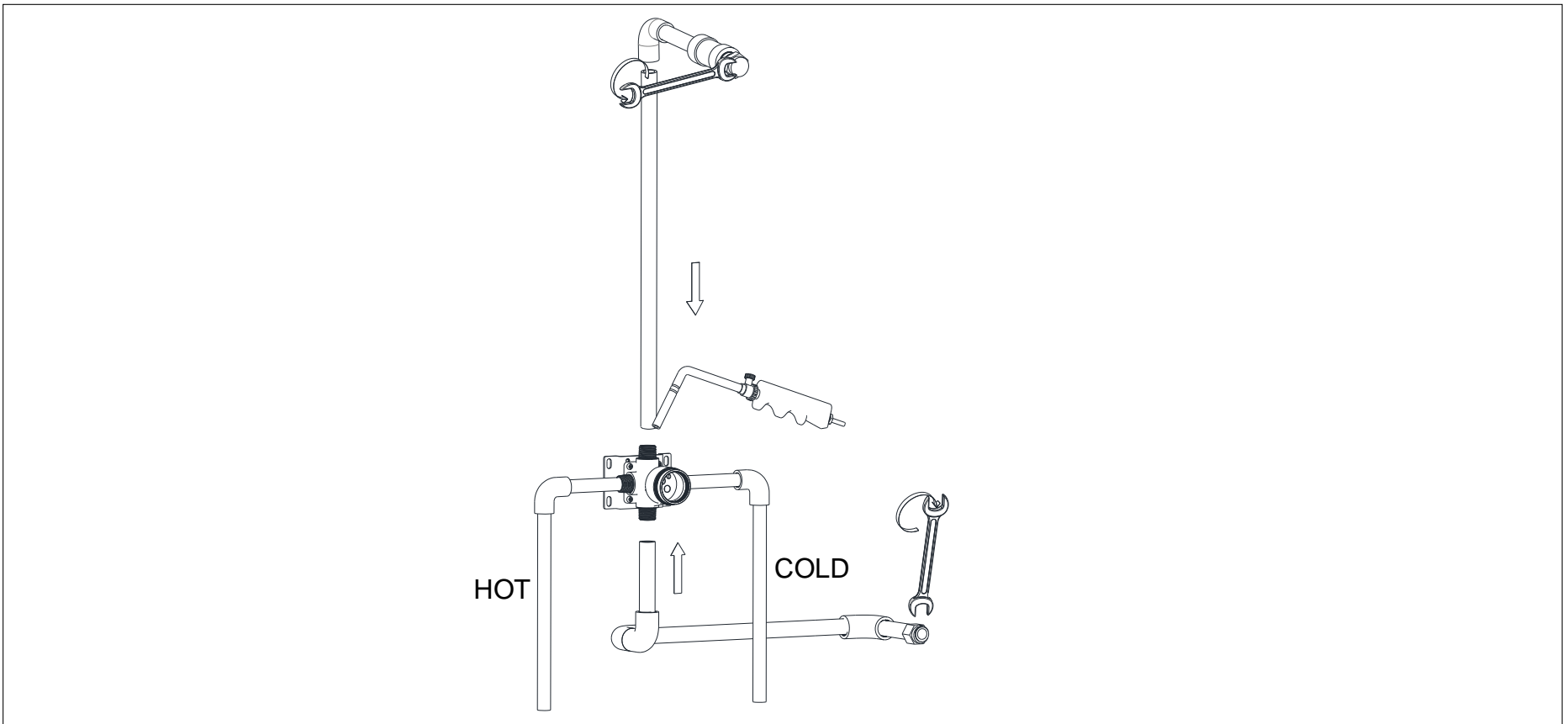
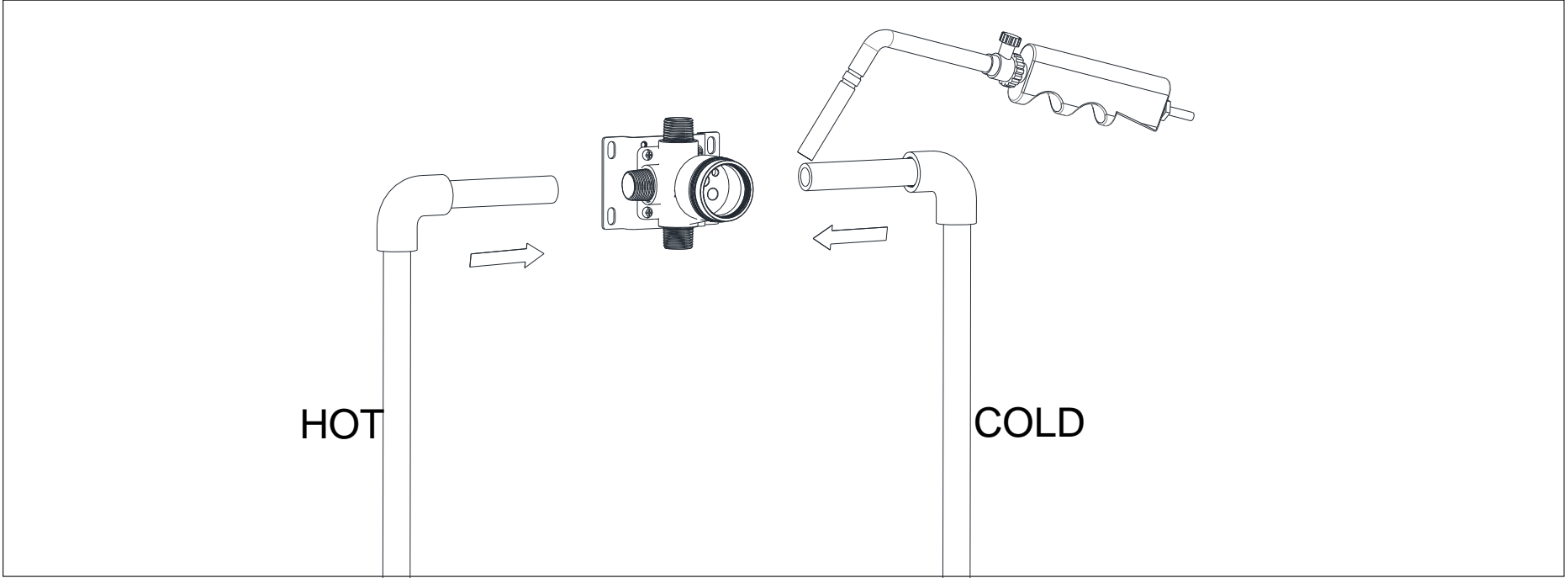
**Note:** For PEX, be sure to use the correct crimp fittings and proper cold expansion tool.

We take copper tubing as example:

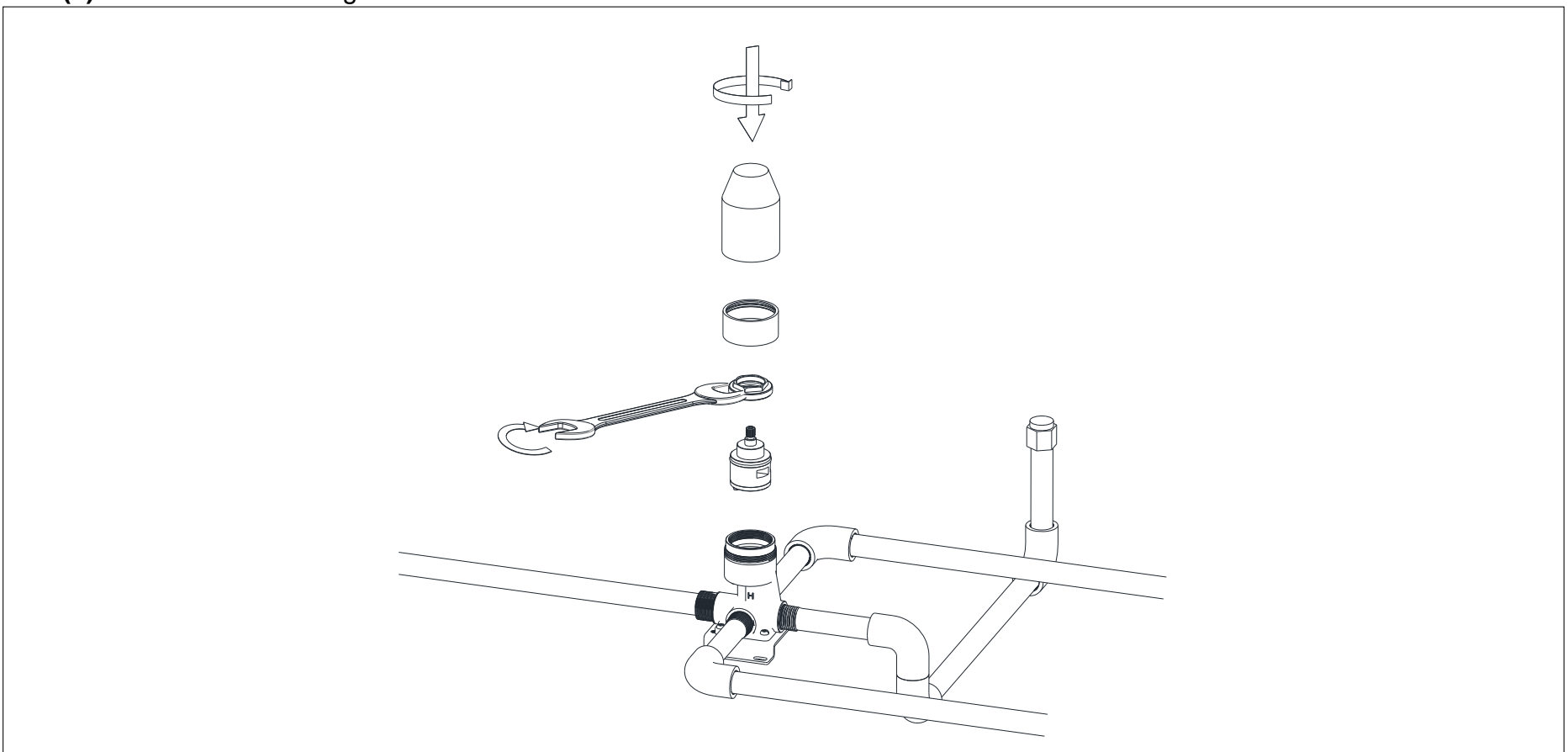
5.4.1(a) Remove the cartridge from the valve body before soldering.



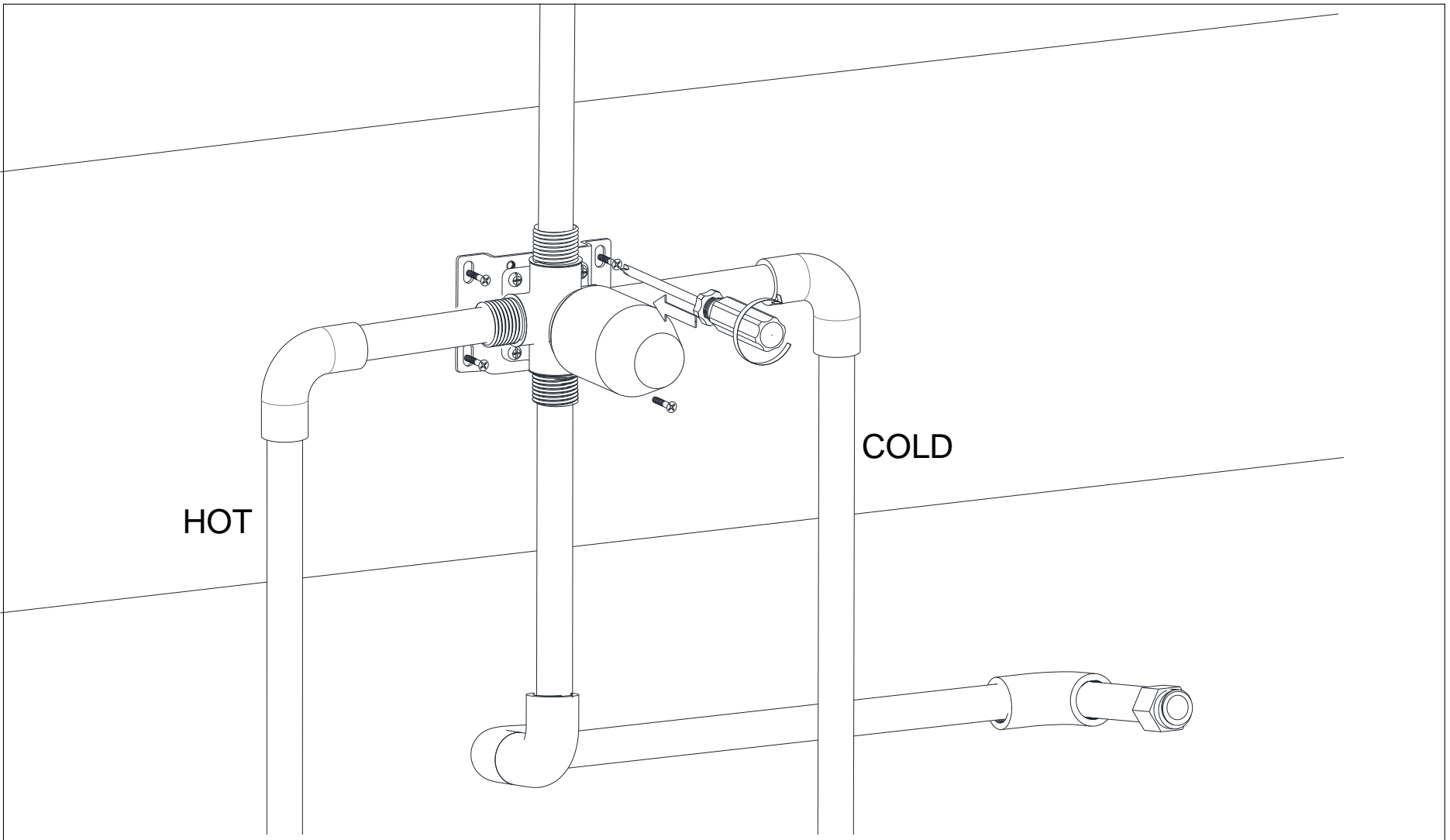
**5.4.2(a)** Soldering the copper tubing to the valve body's hot water and cold water inlets, the top shower outlet and the bottom outlet, then tighten the plugs.



**5.4.3(a)** Reassemble the rough-in valve.



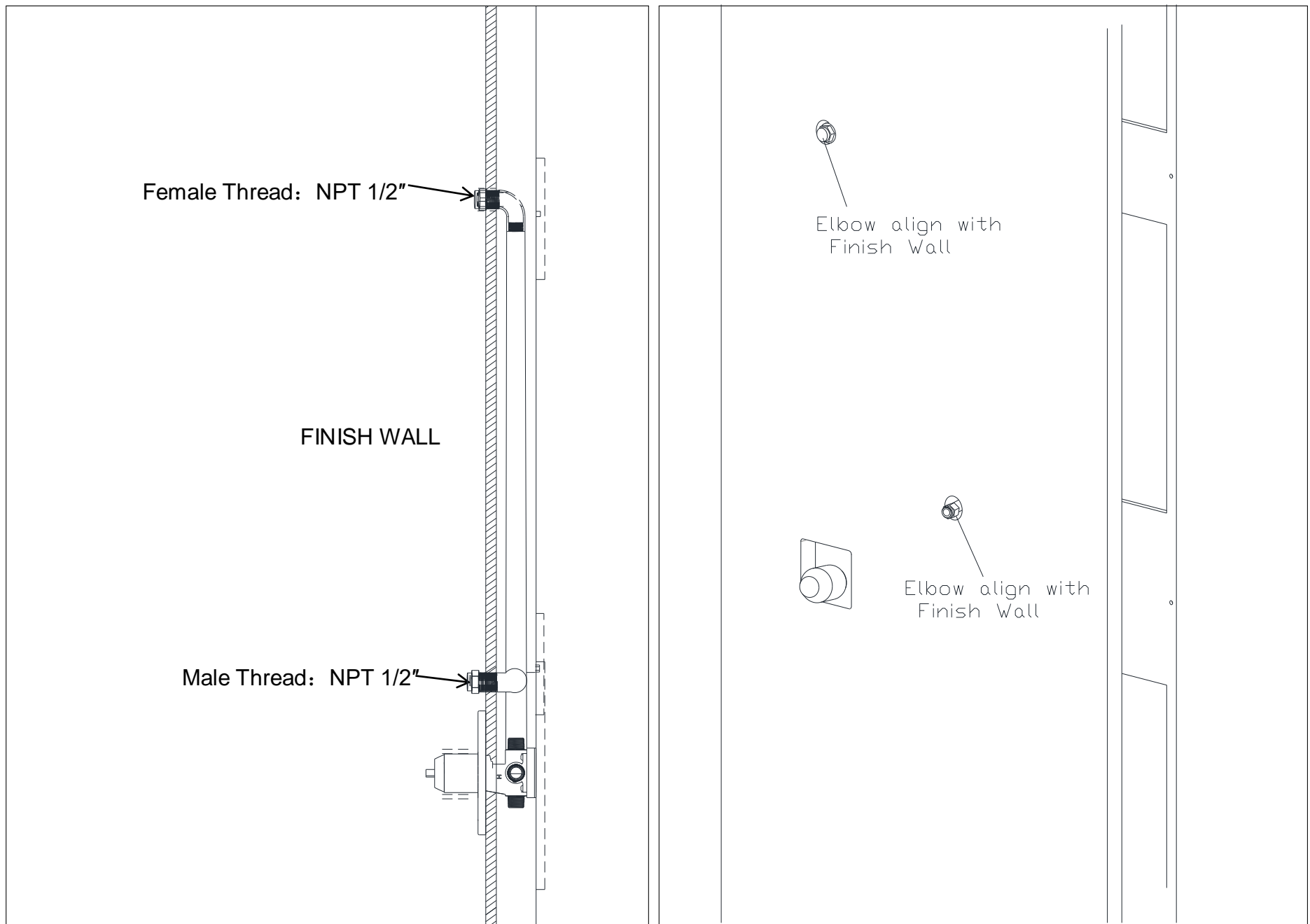
5.4.4 Locate and level the valve assembly and secure to the mounting bracket with screws and anchors.



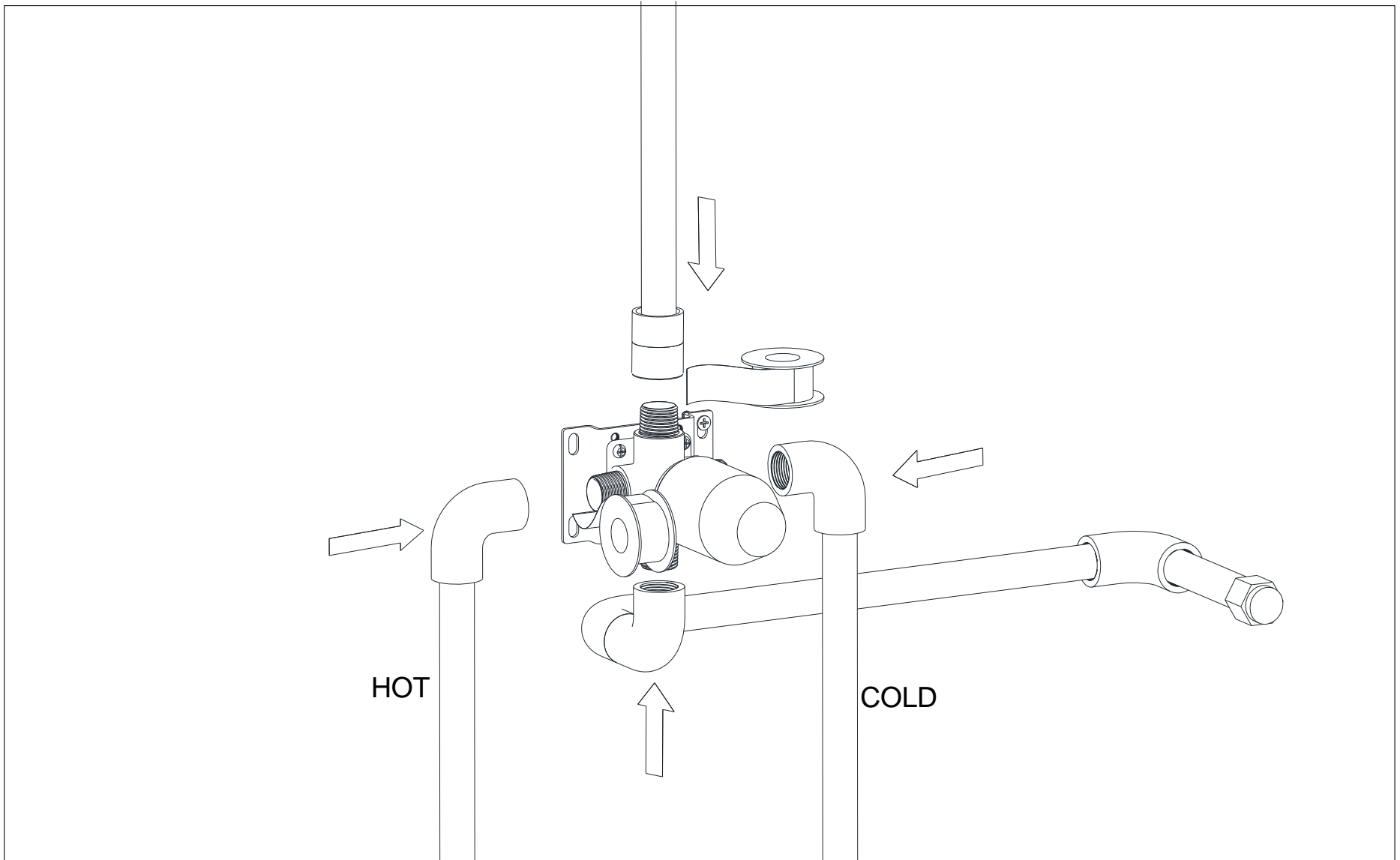
Please align the elbow front face with the finish wall.



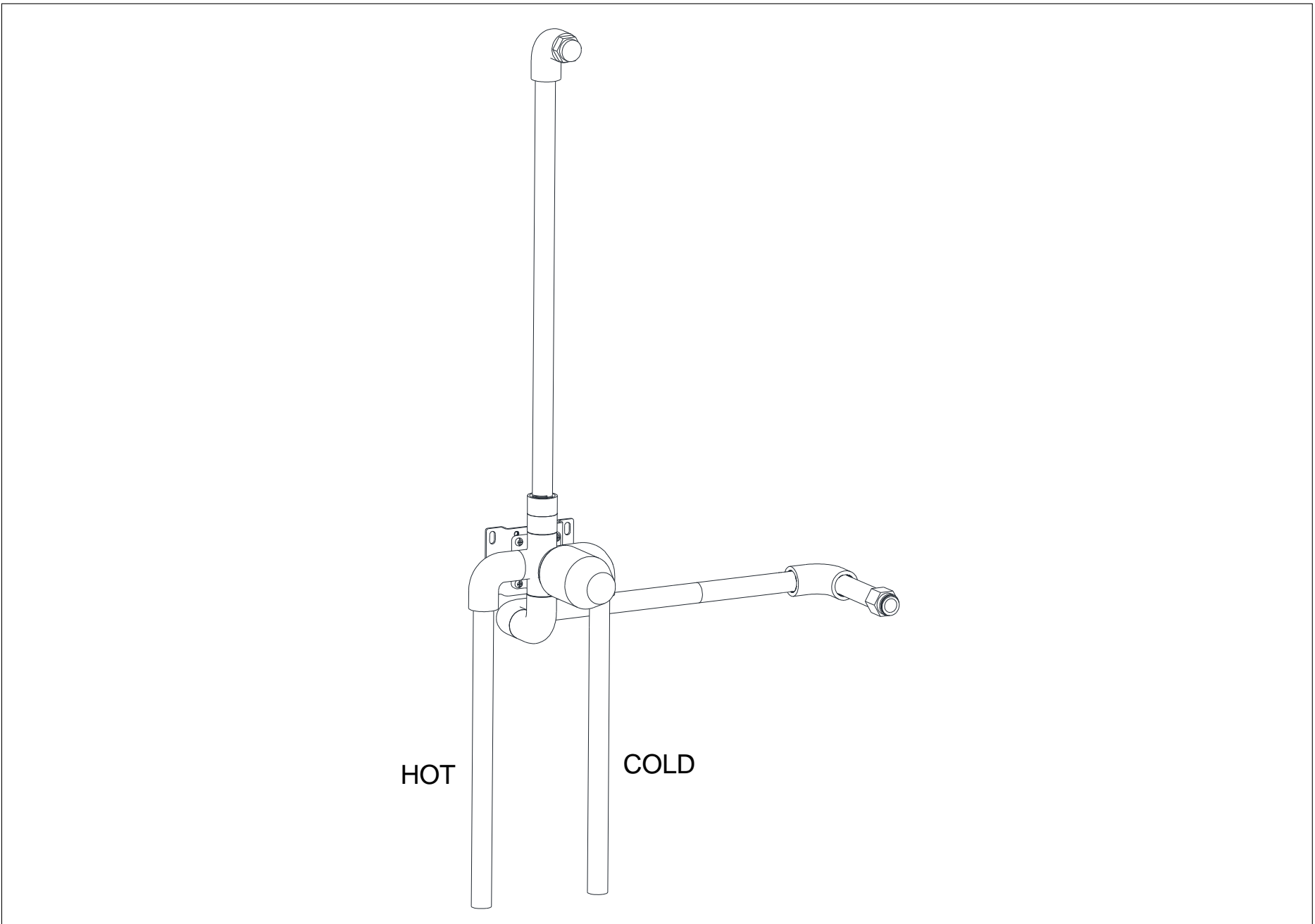
Improper elbow installation depth will lead to leak from connector or has to customize extension parts with extra expense.



**5.4.5** Please skip steps 5.4.1(a) to 5.4.3(a) if connect with PEX fittings or PVC fittings. The valve doesn't need to be disassembled. Apply Teflon tape to the threads of valve body and connect to supply pipes and shower pipe with PEX fittings. [Left for hot water, right for cold water].

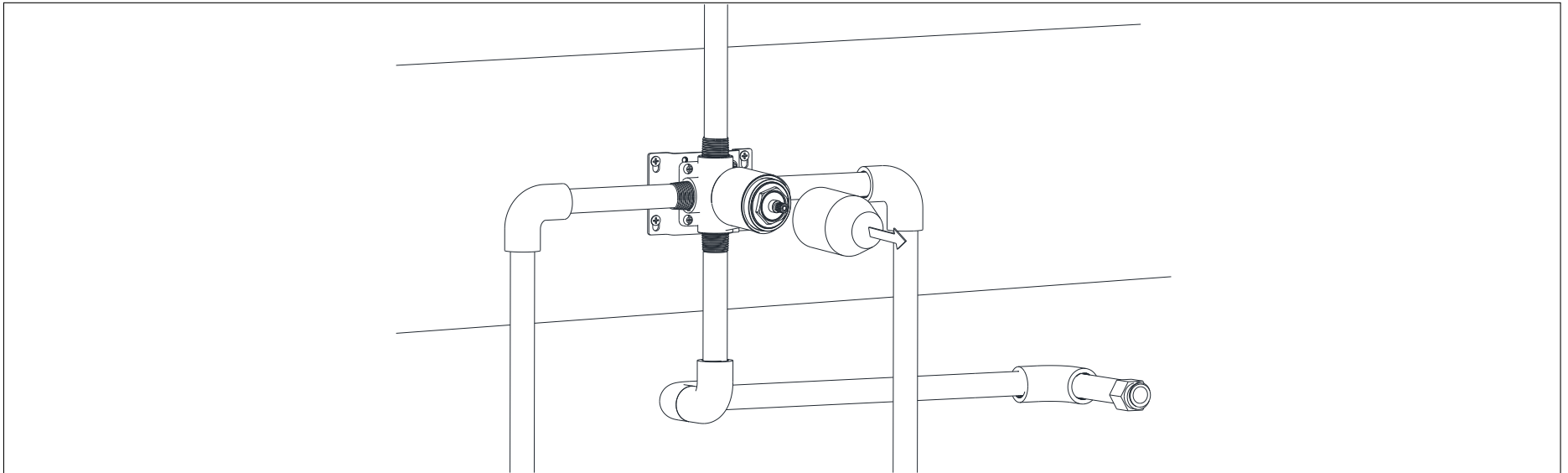


**5.4.6** Rough-in valve installation finished.



## 6. VALVE TRIM INSTALLATION

6.1 Remove the plaster guard cover.



6.2 Plumbing Pressure Testing and Leak Testing.

(a.) Water Pressure Testing Standards

Test Pressure:

- The test pressure shall be 1.5 times the working pressure of the piping system, but not less than 60 PSI (pounds per square inch).
- If the design working pressure of the piping system is less than 60 PSI, the test pressure shall be 60 PSI.
- Recommended test pressure: 100 PSI to 120 PSI (approximately 6.9 to 8.2 bar).

Test Duration:

- The test duration is typically 15 minutes.
- During the test, the pressure should remain stable with no significant drop.

Testing Method:

1. Seal the piping system, ensuring all openings (e.g., faucets, valves) are closed.
2. Use a manual pump or pressure testing equipment to pressurize the system to the specified test pressure.
3. Observe the pressure gauge to ensure the pressure remains stable during the test.
4. Inspect all connections, joints, and faucets for any signs of leakage.

Pass Criteria:

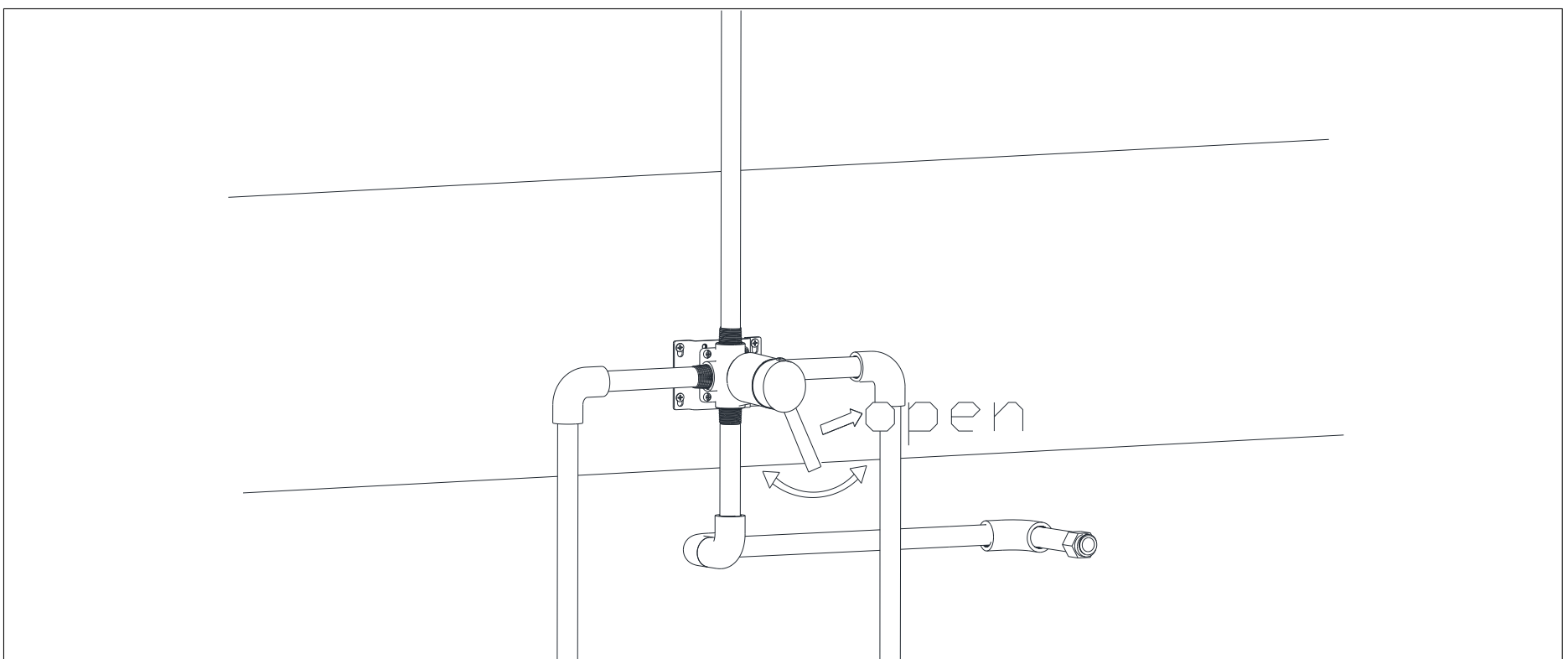
- If the pressure remains stable with no significant drop and no leakage is observed during the test, the piping system passes the test.
- If the pressure drops or leakage is detected, repair the issue and retest.

Precautions:



- Safety: The test pressure should not exceed the rated pressure of the pipes and fittings to avoid damage.
- Record: Record the test pressure, duration, and results for future inspection or maintenance purposes.

(b.) Leak Testing: After completing the plumbing pressure test, turn on the hot and cold water supply again and check all connections for leaks. If no leaks are detected, shut off the hot and cold water supply and reinstall the plaster guard covers.

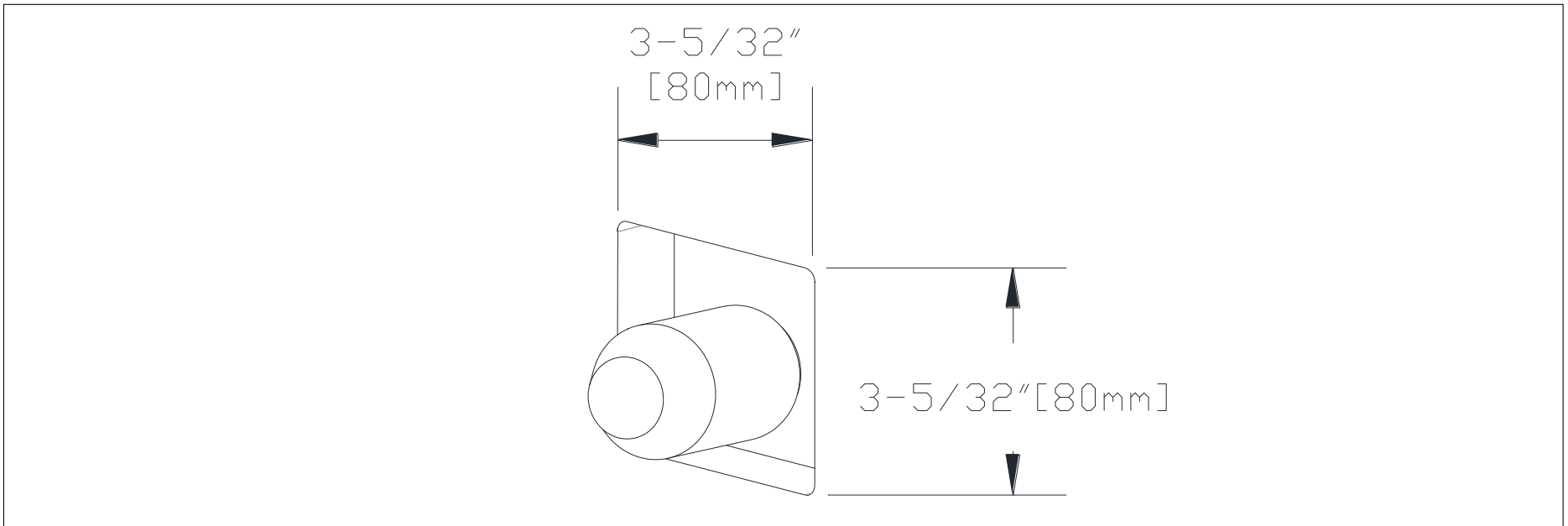


Precautions:

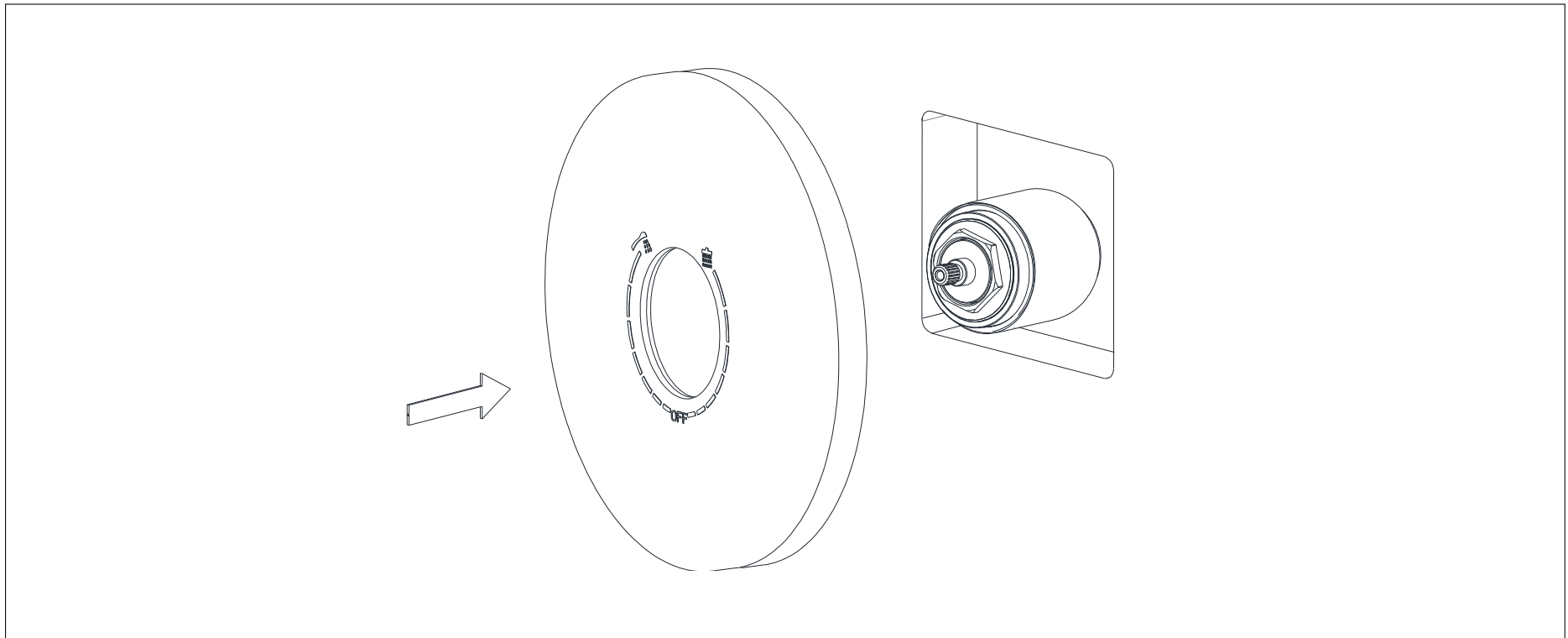


- Record: Record the test pressure, duration, and results for future inspection or maintenance purposes.

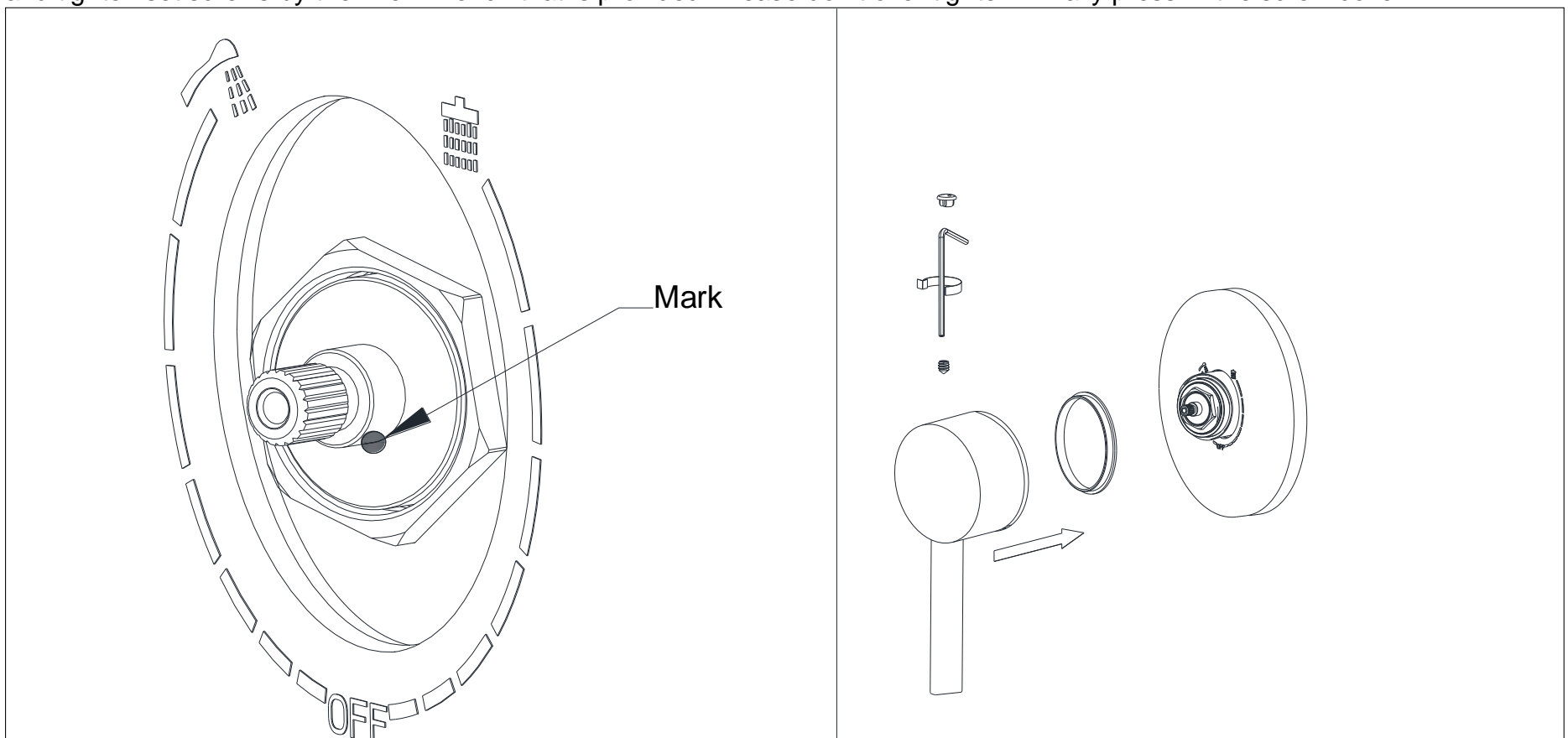
**6.3** Done the finish wall and drill proper window for maintain if needed in the future.



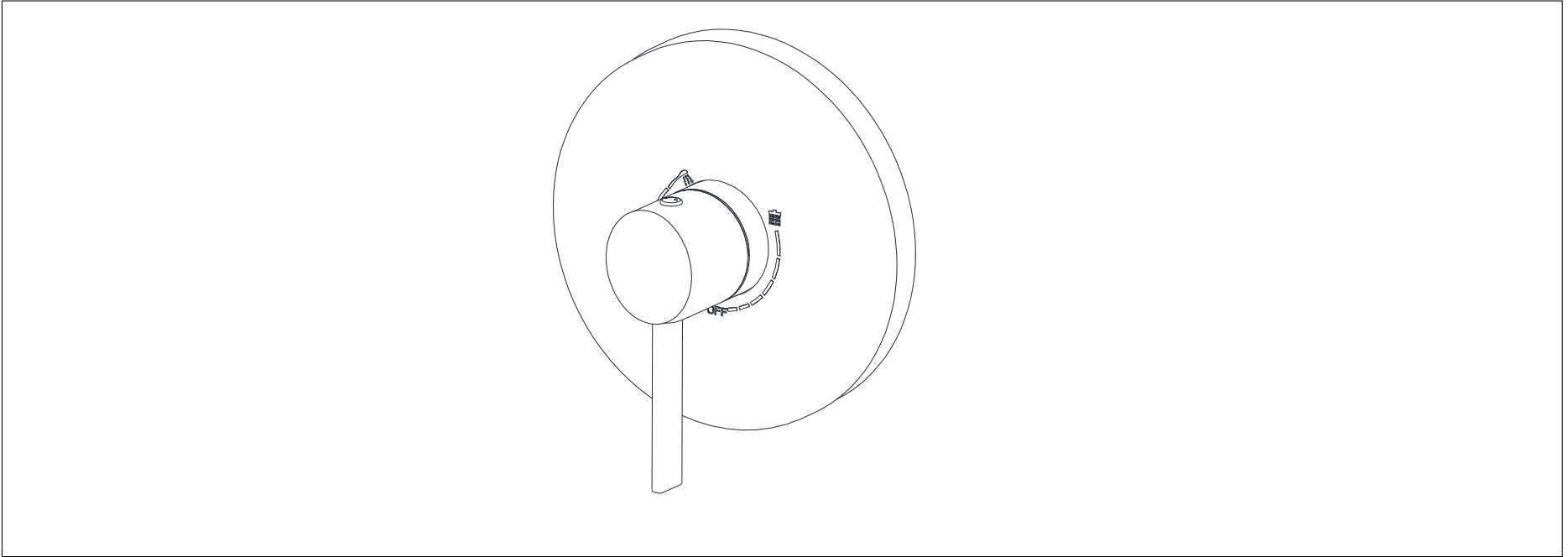
**6.4** Attach the escutcheon over the valve body.



**6.5** First, ensure that the valve stem is correctly oriented according to its alignment markings. Next, attach handle onto the valve stem and tighten set screws by the Allen wrench that is provided. Please don't over tighten. Finally press-in the screw cover.

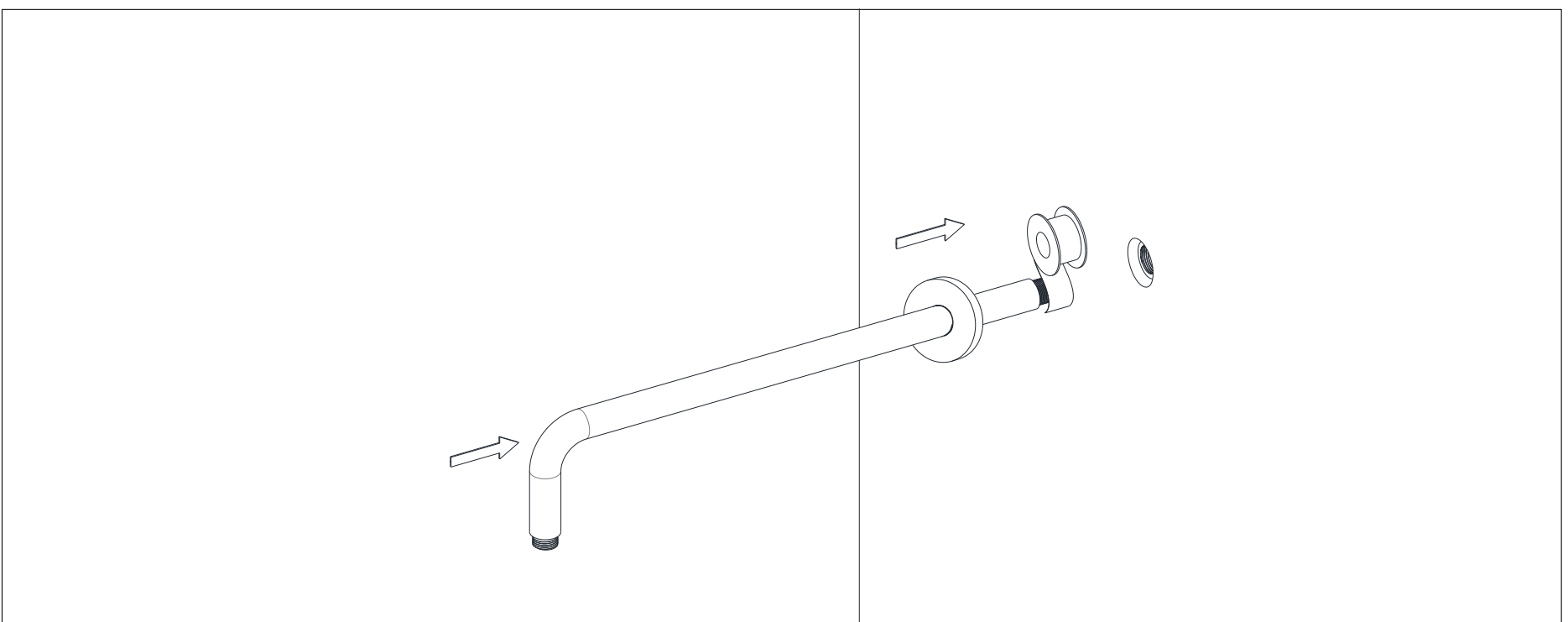
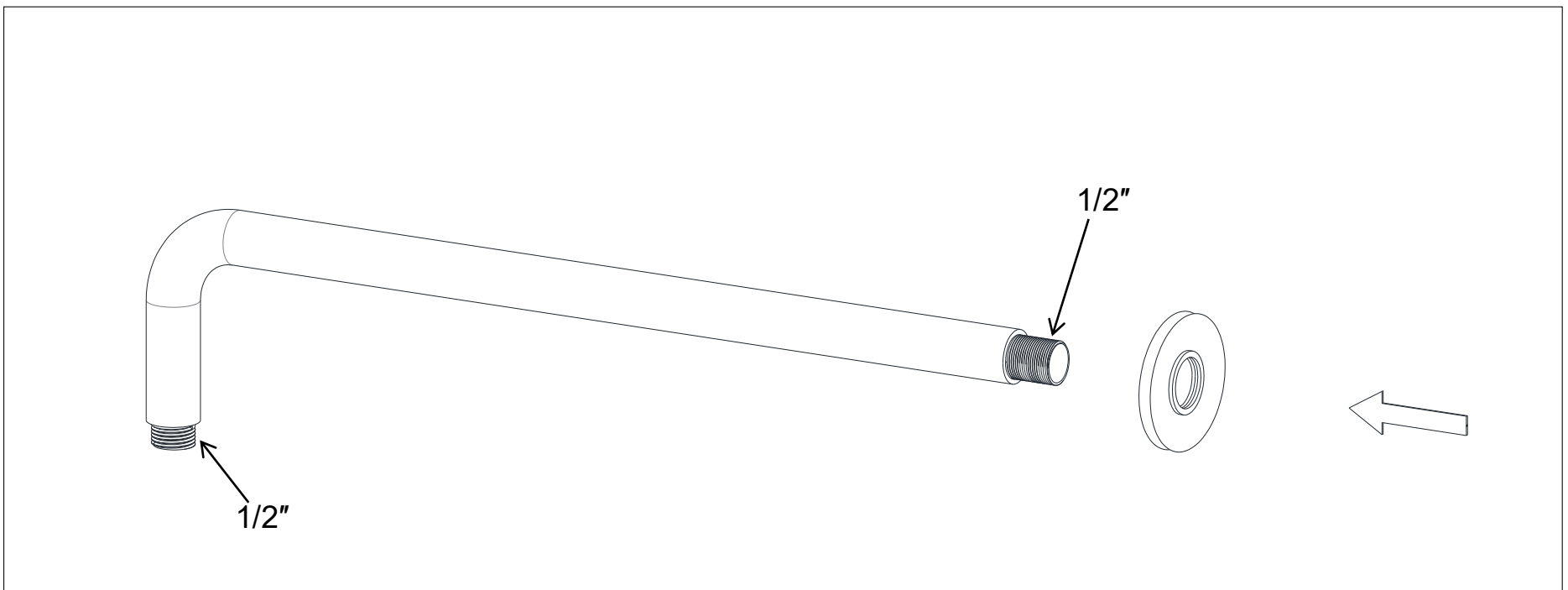


6.6 Valve trim installation finished.

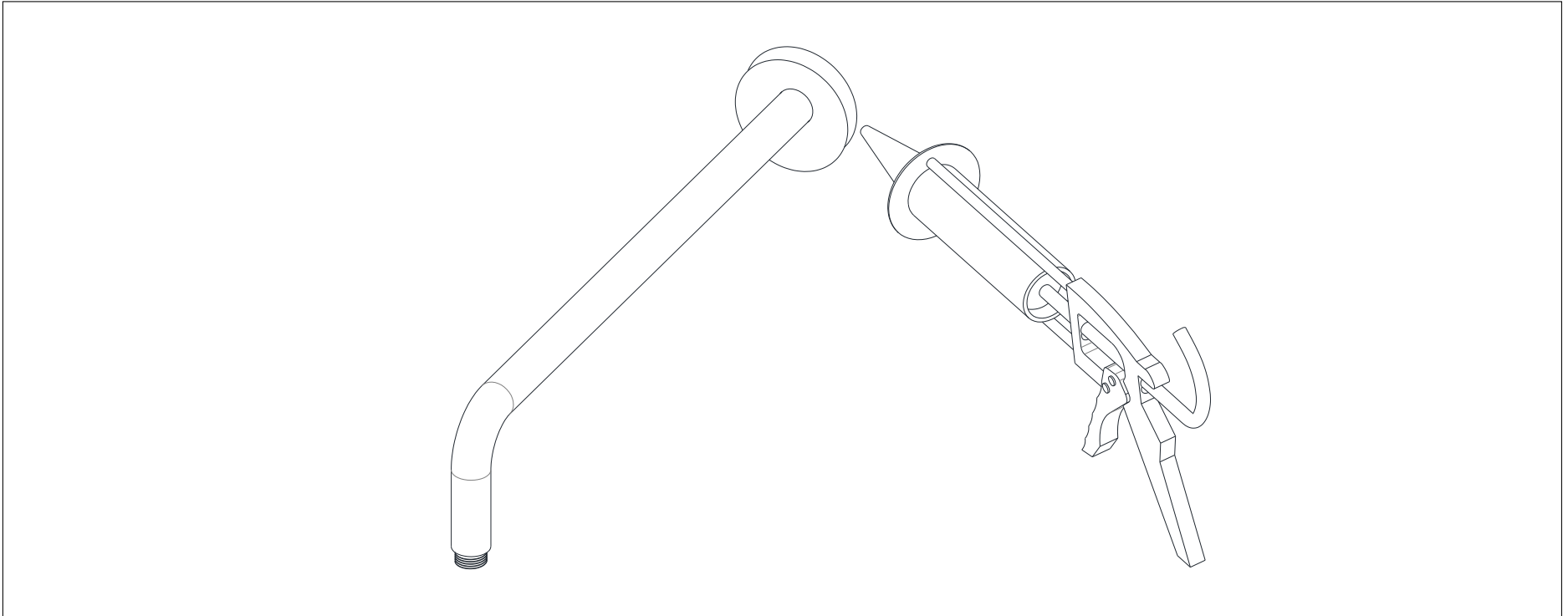


## 7. SHOWERHEAD INSTALLATION

7.1 Attach shower arm escutcheon to the shower arm and apply Teflon tape to the thread of shower arm. Then secure the shower arm into the pipe elbow inside the wall by rotating clockwise.  
Standard connect thread of shower arm inlet: NPT1/2" (US, CA).



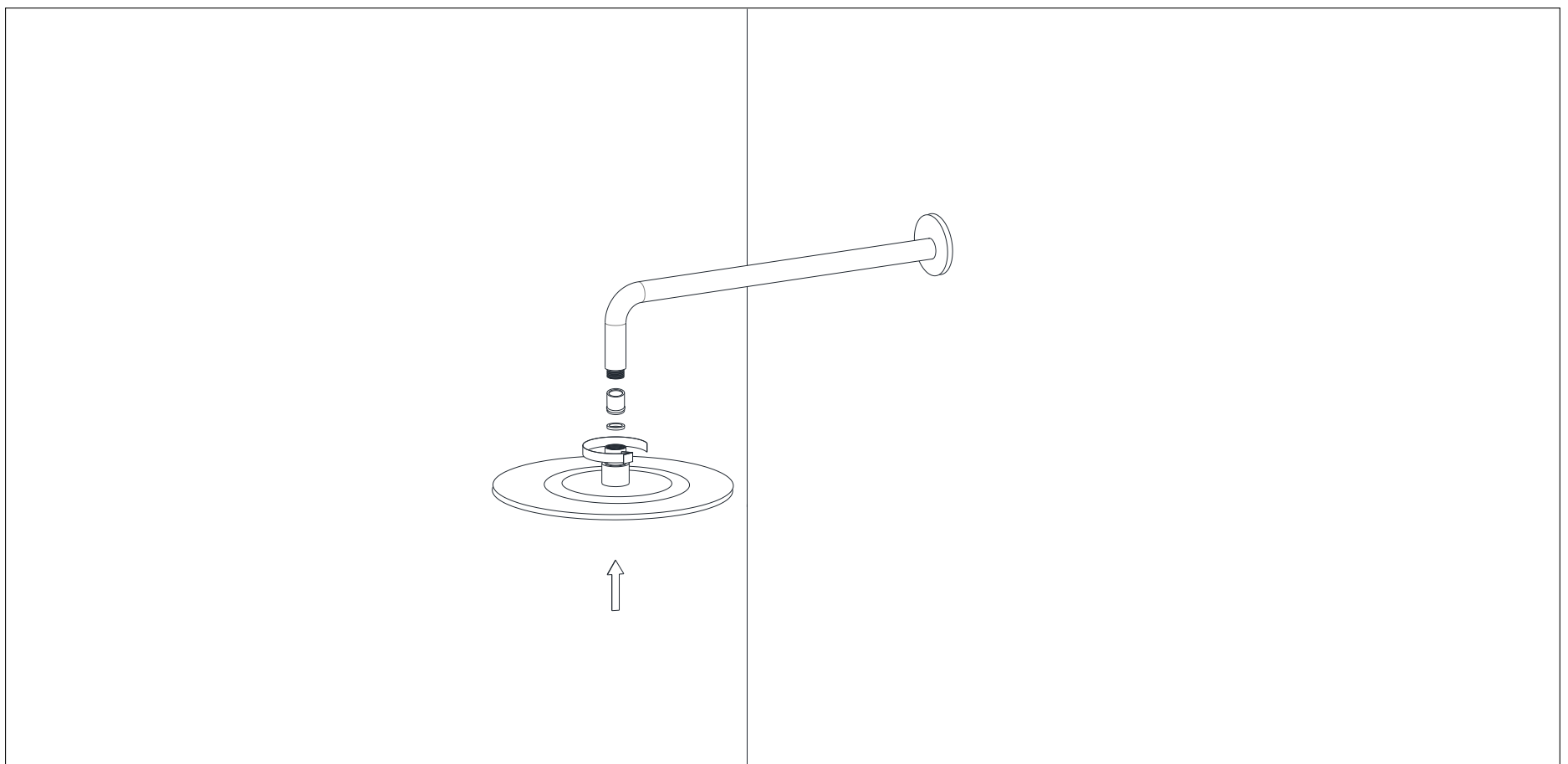
7.2 Seal the wall around the shower arm escutcheon with waterproof sealant.



7.3 Put the screen washer into the connector of showerhead and insert the check valve into the shower arm, then secure the showerhead on the shower head arm by hand rotating clockwise.

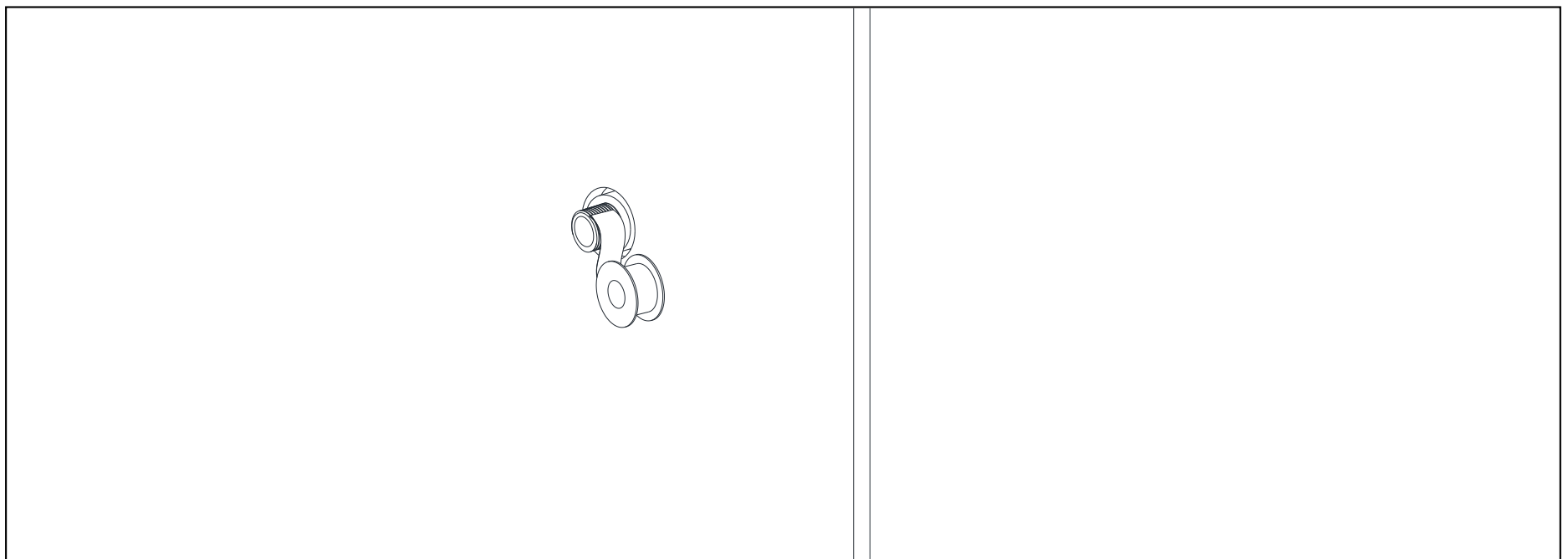


WARNING: Missing the screen washer and check valve might lead to shower invalid.

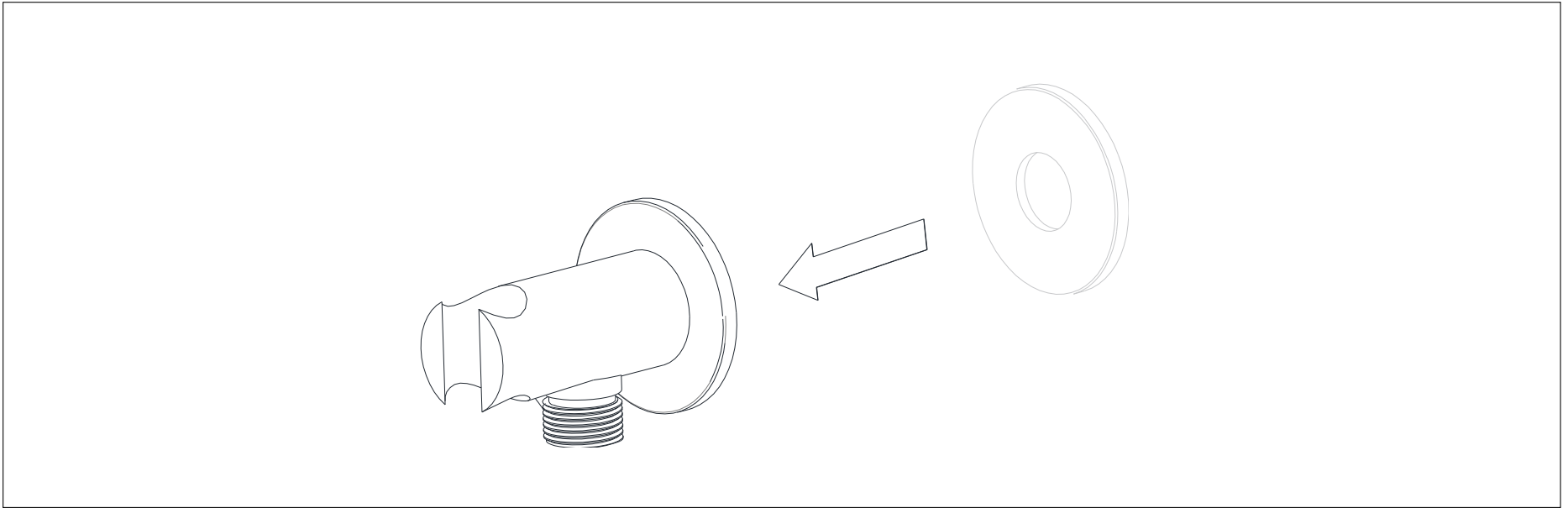


## **8. HAND SHOWER INSTALLATION**

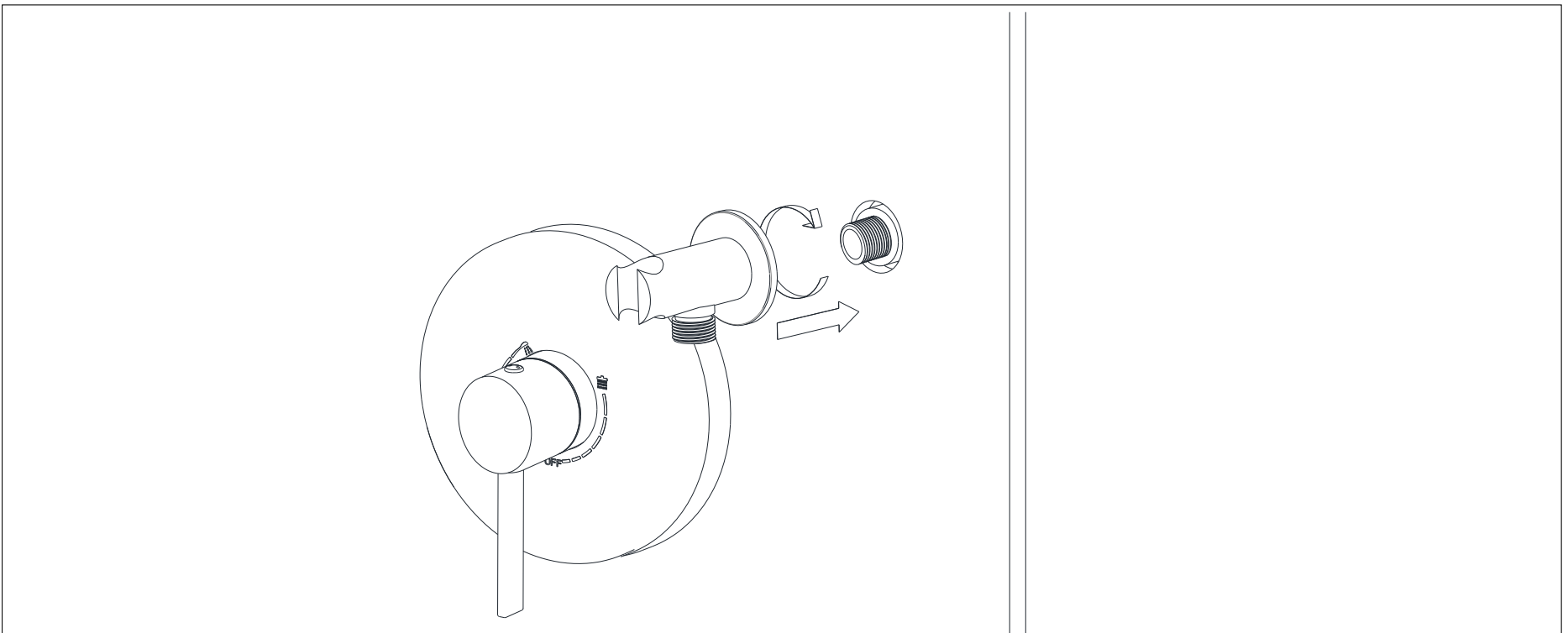
8.1 Apply Teflon tape on the thread of wall supply elbow.



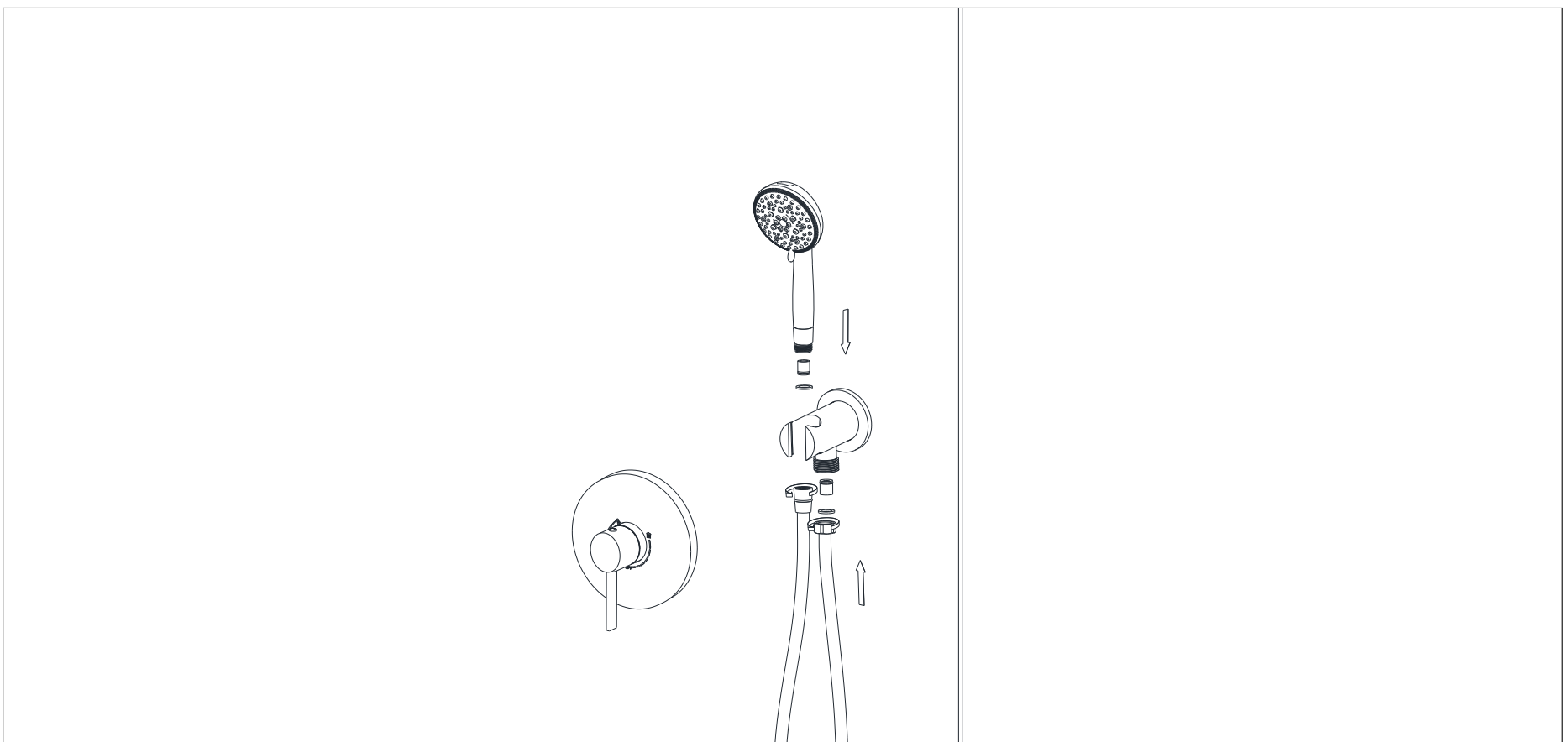
**8.2** Attach the flange to the hand shower holder.



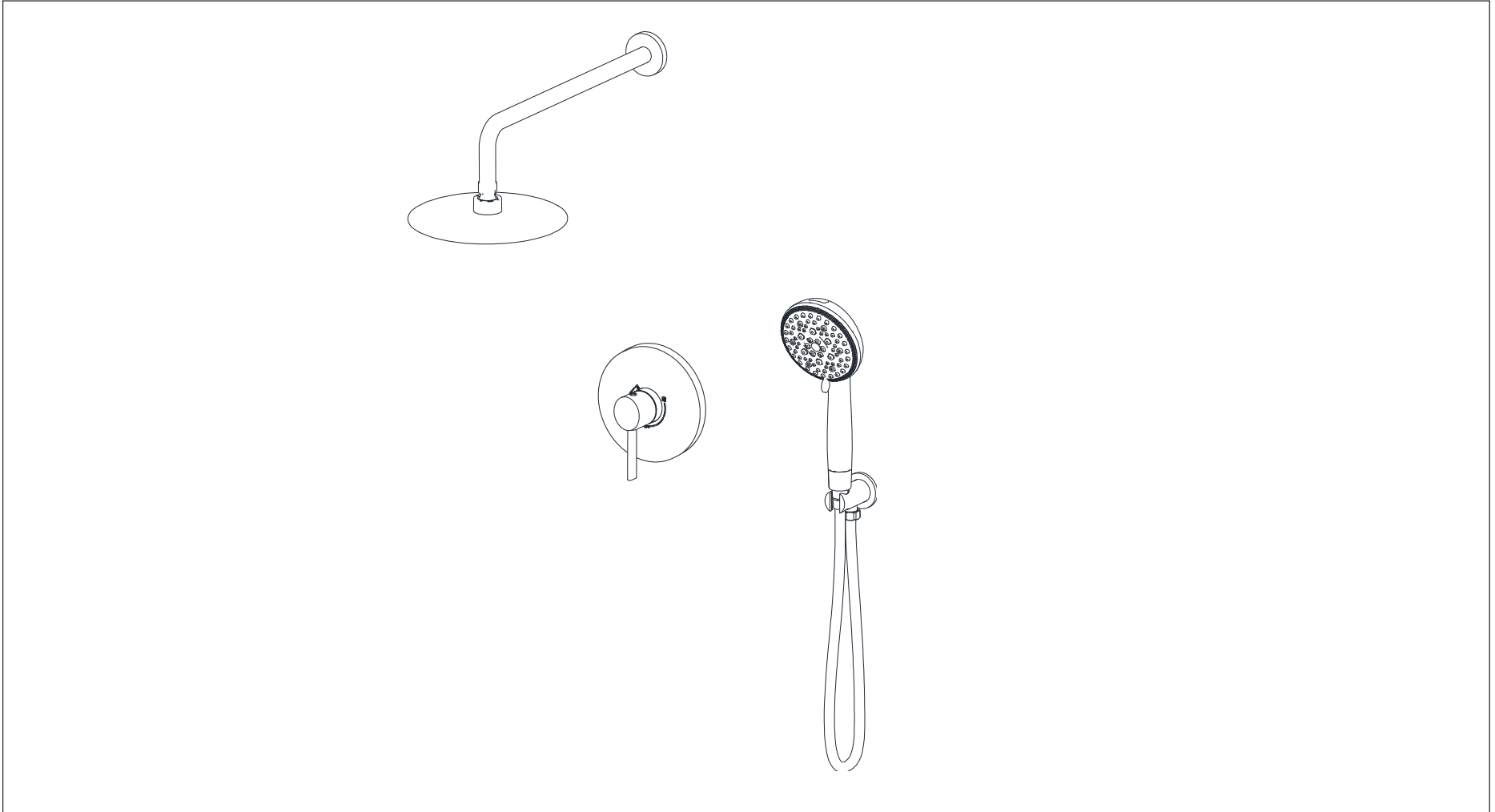
**8.3** Screw the thread into the pipe elbow inside the wall.



**8.4** Connect the handheld shower to the wall supply elbow with flexible hose.



## 8.5 ASSEMBLE FINISHED.



## 9. Adjusting the spray pattern of the handheld shower.

(a.) Select various water spray patterns:

The shower is equipped with nine spray modes to enhance your showering experience. These modes include:

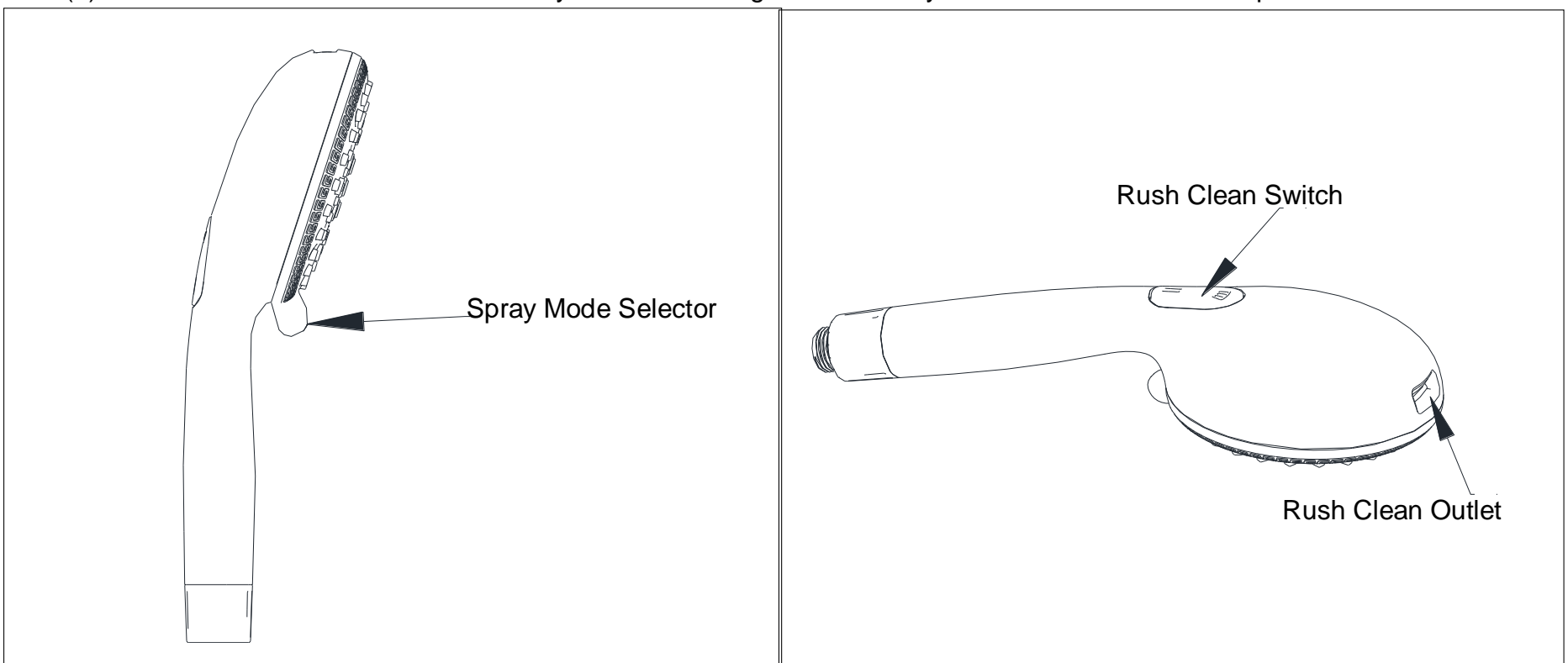
- Massage Mode
- Massage & Full Spray Mode
- Full Spray Mode
- Full Spray & Mist Mode
- Power Mist Mode
- Dot Massage Mode
- Strong Dot Massage Mode
- Trickle Mode
- Top Water Outlet: Rush Clean Spray

(b.) How to switch to Rush Clean Outlet:

Locate rush clean switch on the handheld shower.

To change mode:

- (1) Rotate the adjustment dial to the left or right to switch between different spray patterns.
- (2) Each mode is marked on the dial and you will feel a slight click when you turn the dial to the new position.



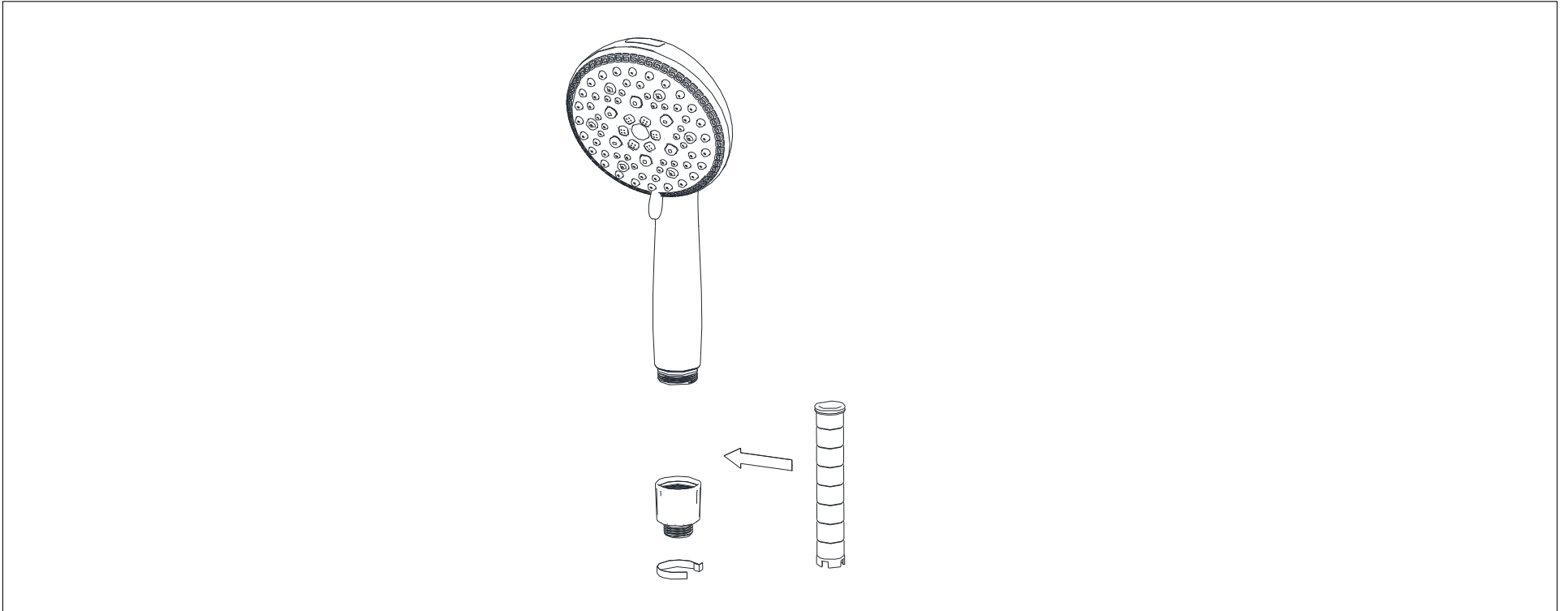
---

**10. Handheld Shower Usage Guidelines:**

(1) This showerhead comes standard with an anti-scale filter element. The anti-scale filter element is an optional accessory, allowing users to choose whether to install it based on their specific needs.

(2) Each anti-scale filter element is normally effective for three months or can treat up to 3 tons of hard water. Once either condition is met, the anti-scale filter element must be replaced to restore its functionality.

Replace the Filter as follows:



**11. INSPECTION**

11.1 Turn on hot and cold water supply and check all connection for ensuring no leaking anywhere.

**12. FUNCTION INSPECTION**

12.1 Rotate the handle clockwise, this directs water supply to the handheld shower outlet. Rotate the handle counterclockwise, this directs water supply to the showerhead outlet.

**INSTALLATION FINISHED**

## CLEANING RECOMMENDATION FOR SUMERAIN PRODUCTS

Modern lavatory faucets, kitchen faucets, and showers are built using a wide variety of materials to cater to the market's demands for design and functionality. To avoid damage and potential returns, adhering to specific cleaning guidelines is crucial.

### Cleaning Materials for faucets & showers

When cleaning faucets and showers, it is important to consider the following professional terms:

- Acidic cleaning agents are essential for lime removal.
- Ensure to use only cleaning agents that are specifically designed for this particular application.
- Avoid using cleaning agents containing hydrochloric, formic, phosphoric, or acetic acid, as they can cause significant damage.
- Avoid mixing different cleaning agents, as this can cause harmful chemical reactions.
- Avoid using abrasive cleaning agents or tools, including unsuitable cleaning powders, sponge pads, or microfiber cloths that could damage the surface.

### Cleaning instructions for faucets & showers

Please follow the cleaning material manufacturer's instructions. In addition, pay attention to the following points:

- Clean faucets and showers regularly as needed to maintain their optimal function and appearance.
- Apply the recommended amount of cleaning product for the specified duration. Be sure not to leave the cleaner on the faucets longer than necessary to avoid potential damage.
- Regular cleaning can help prevent calcification. If you notice scale deposits on the faucet surface or spout, use a commercial descaler such as Lime-Away® or CLR®.
- In case of rust formation due to hard water conditions, gently abrade the affected area with aluminum foil soaked in water until the surface is smooth. Subsequently, apply a modest amount of chrome polish or a suitable product like automotive wax (for instance, Meguiar's®, Turtle Wax®) to buff the surface.
- Solid stainless steel faucets and spouts, especially waterfall spouts, typically lack a protective coating. Although stainless steel is naturally resistant to tarnishing, it can oxidize over time and react to its environment. Therefore, it's crucial to keep stainless fixtures clean and dry. Use a cleaner specifically designed for stainless steel, such as Weiman® or CLR®.
- When using a spray cleaner, it is recommended that you first apply it to a soft cloth or sponge rather than spraying it directly onto the faucet. This method helps prevent water droplets from entering the faucet opening and causing potential damage.
- After cleaning, thoroughly rinse with clean water to remove any residue from the cleaner.

### Important

Residues from liquid soap, shampoo, and shower gel can also contribute to damage. Therefore, it's crucial to thoroughly rinse these substances off with clean water after use.



**Note:** if the surface is already damaged, the application of cleaning materials might exacerbate the damage.

**Components with damaged surfaces must be replaced or injury could result.**

**Note that any damage resulting from improper treatment is not covered by the warranty.**

# SUMERAIN®

### SUMERAIN INTERNATIONAL GROUP INC

**Address:** 1226 NORTH KING ST NUM 522  
WILMINGTON, DE 19801  
United States

**Tel:** +1(866)203-0866

**Web:** <http://www.sumerain.com>

**E-mail:** [supports@sumerain.us](mailto:supports@sumerain.us)

### HONGKONG SUMERAIN SANITARY INDUSTRY CO., LIMITED

**Address:** FLAT/RM 3B 3/F BANK TOWER  
NOS.351&353 KING'S ROAD  
NORTH POINT  
HK

**Tel:** +86-750-2731579

**E-mail:** [supports@sumerain.com](mailto:supports@sumerain.com)

### SUMERAIN EUROPE SUPPORT

**Address:** Flottwellstr.15  
10785 Berlin,  
Deutschland

**Tel:** +49 (0)30/23975898

**E-mail:** [de@sumerain.com](mailto:de@sumerain.com)