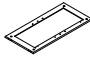
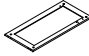
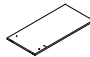
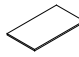
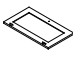
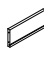










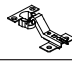
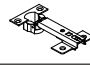









OPERATING INSTRUCTIONS

PACKING DETAILS: TOTAL 3 BOXES

BOX 1/3:

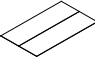
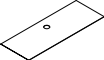







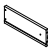
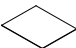

PART NO.	PARTS	QTY
12		x1
13		x1
14		x1
17		x1
19		x3
22		x1









PART NO.	PARTS	QTY
A		x29
B		x10
C		x34
D		x34
E		x1
F		x4
G		x2
H		x6
I		x12
J		x48
K		x4
L		x8
M		x6
N		x2
O		x16
P		x1
Q		x10
R		x3
S		x2

PACKING DETAILS: TOTAL 3 BOXES

BOX 2/3:

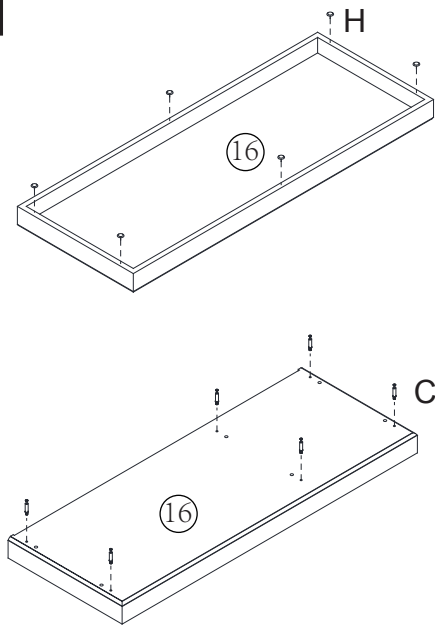
BOX 3/3:

PART NO.	PARTS	QTY
9		x1
10		x1
11		x1
15		x1
16		x1
18		x1
20		x1
21		x2
23		x1
24		x1
25		x1
26		x1

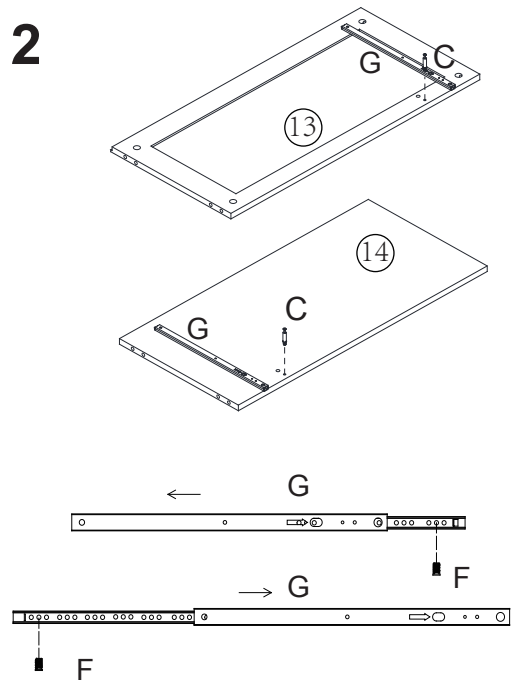
PART NO.	PARTS	QTY
1		x1
2		x1
3		x1
4		x1
5		x1
6		x1
7		x1
8		x1

Assembly Instructions

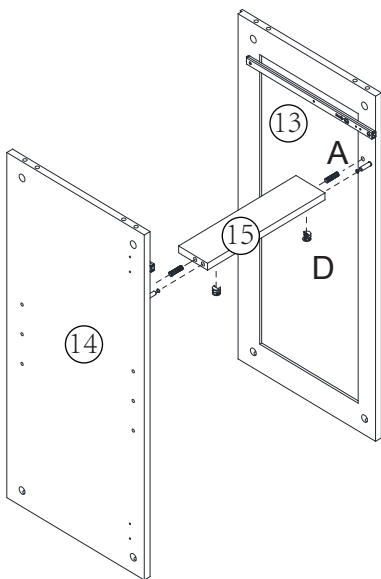
1



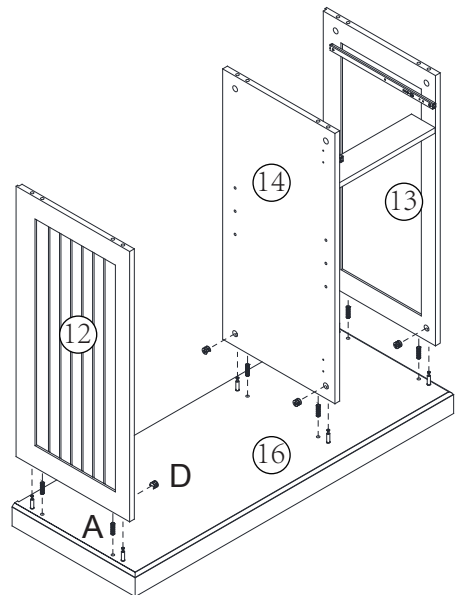
2



3

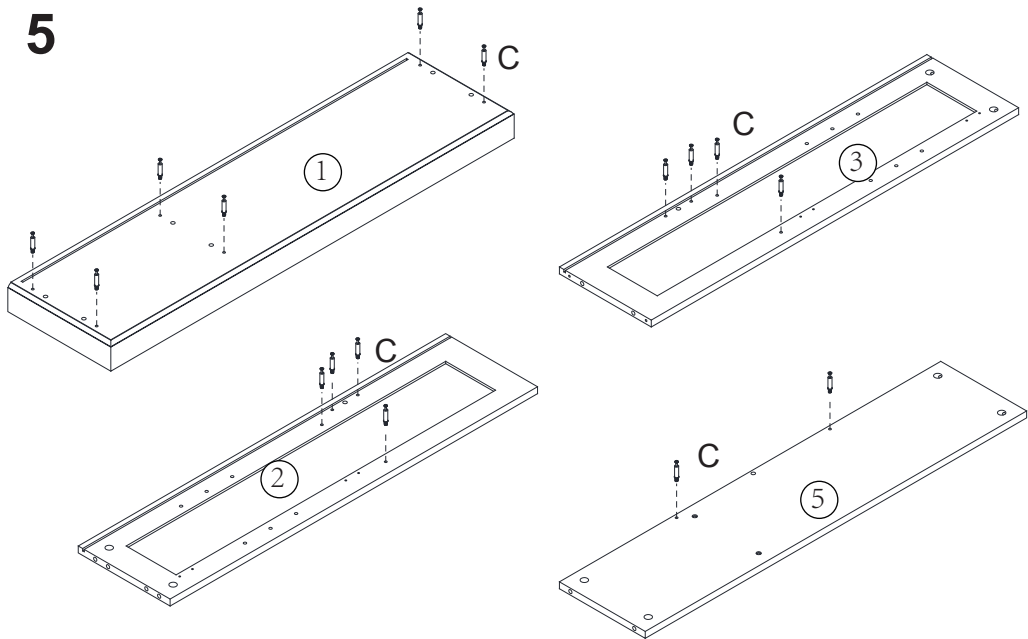


4

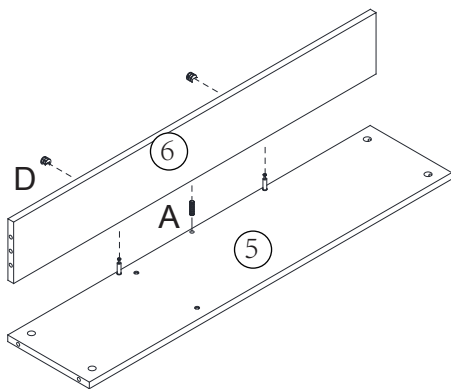


Assembly Instructions

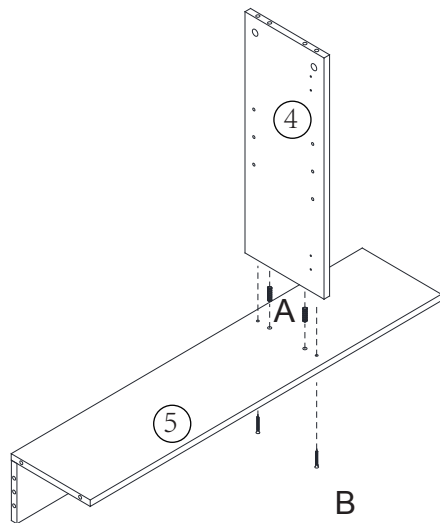
5



6

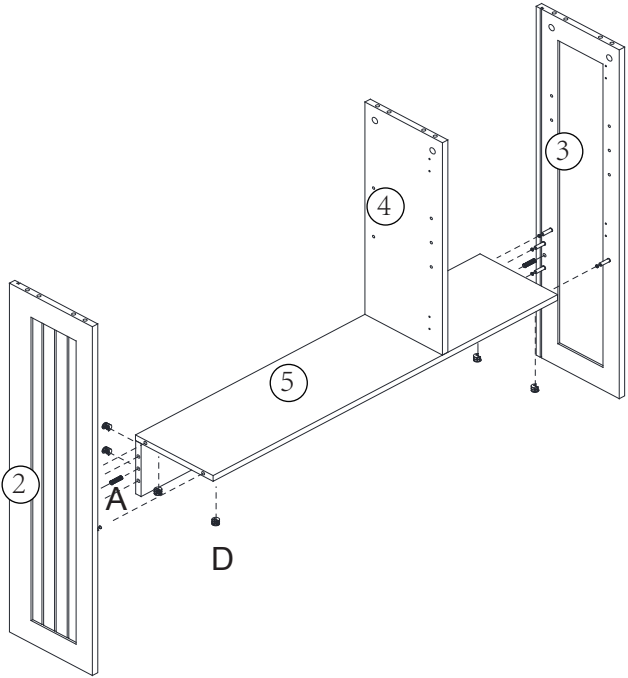


7

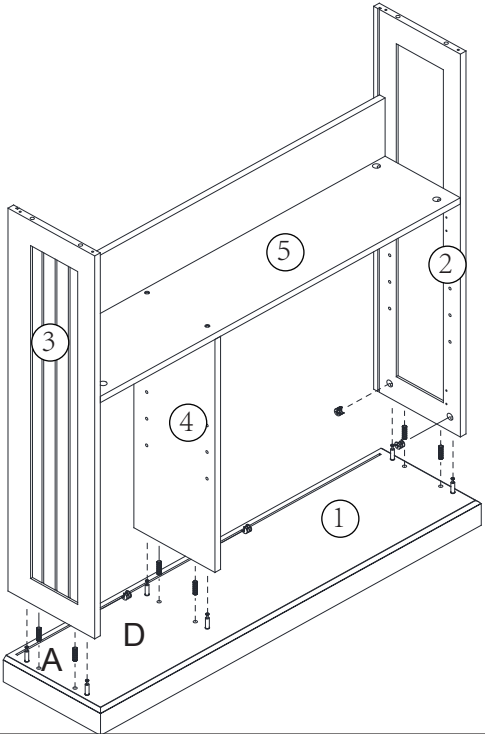


Assembly Instructions

8

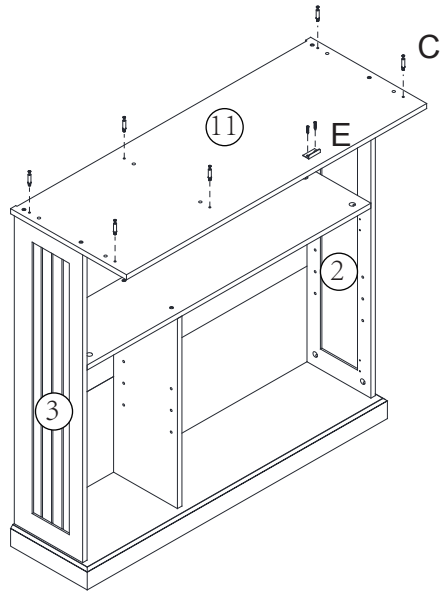


9

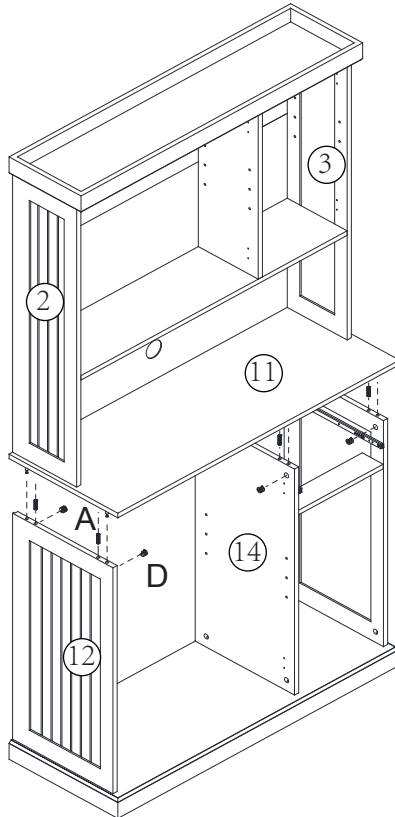


Assembly Instructions

12

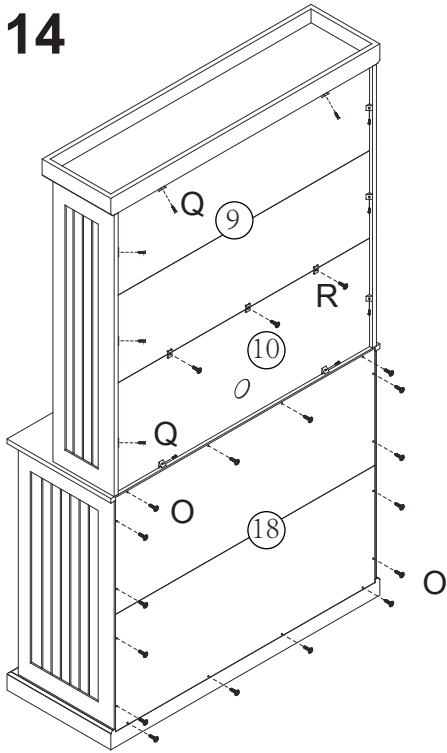


13

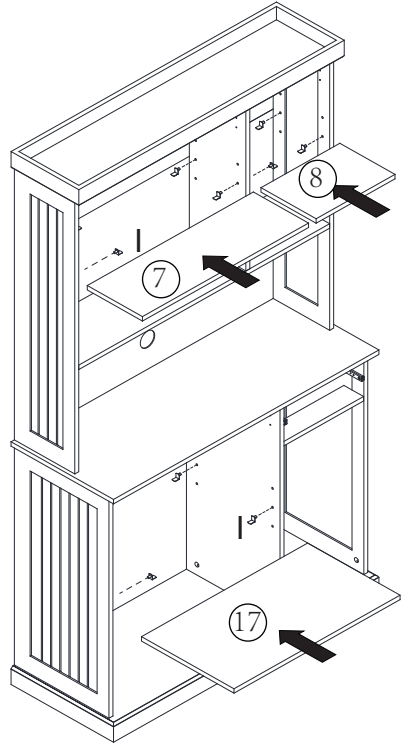


Assembly Instructions

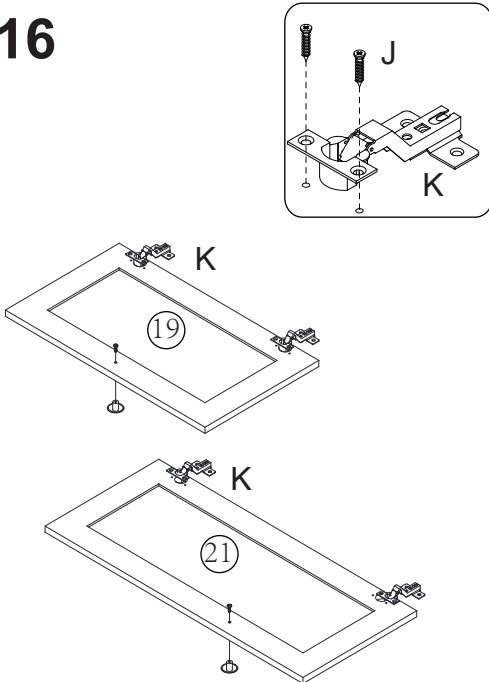
14



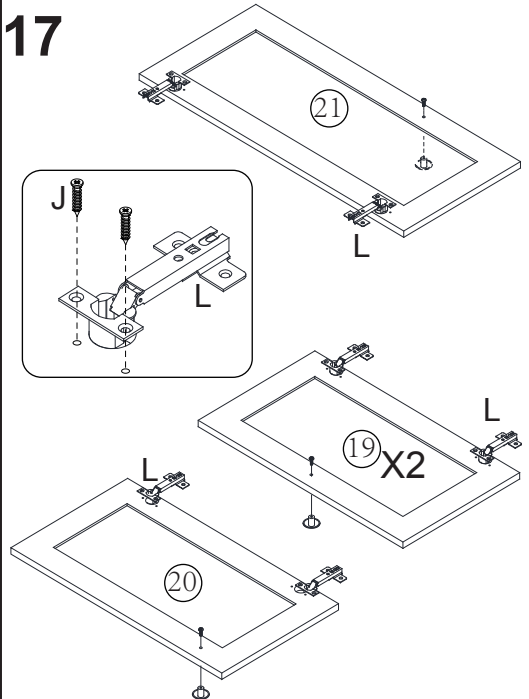
15



16

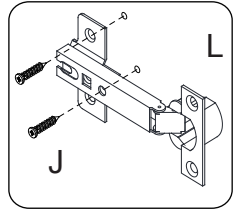
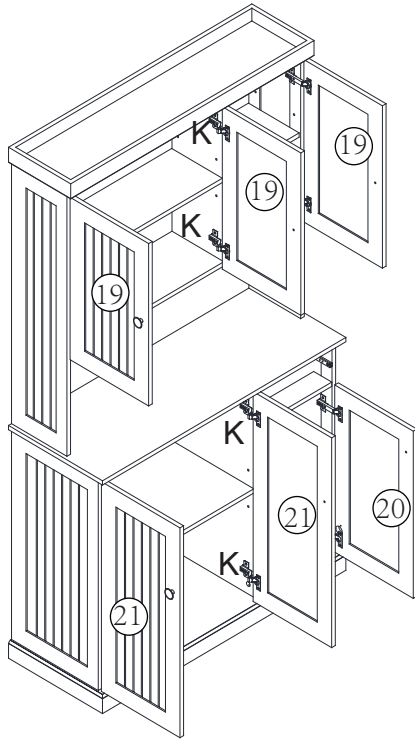
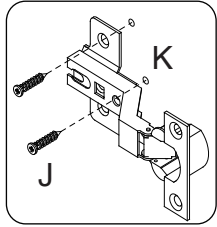


17

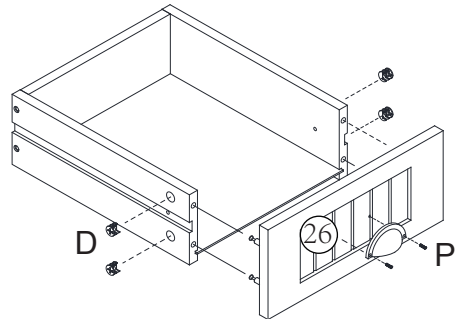
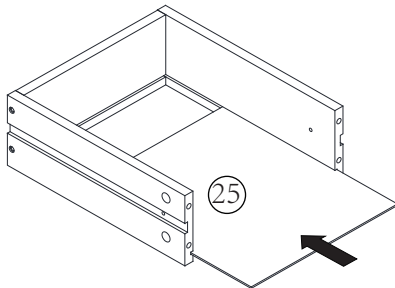
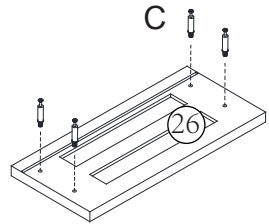
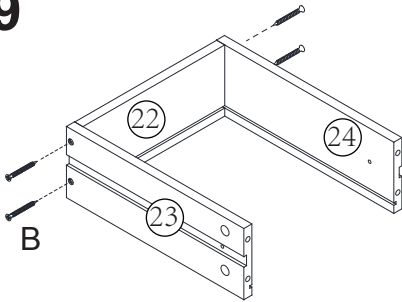


Assembly Instructions

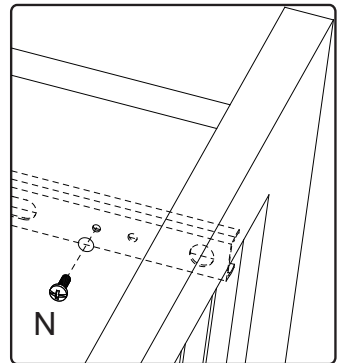
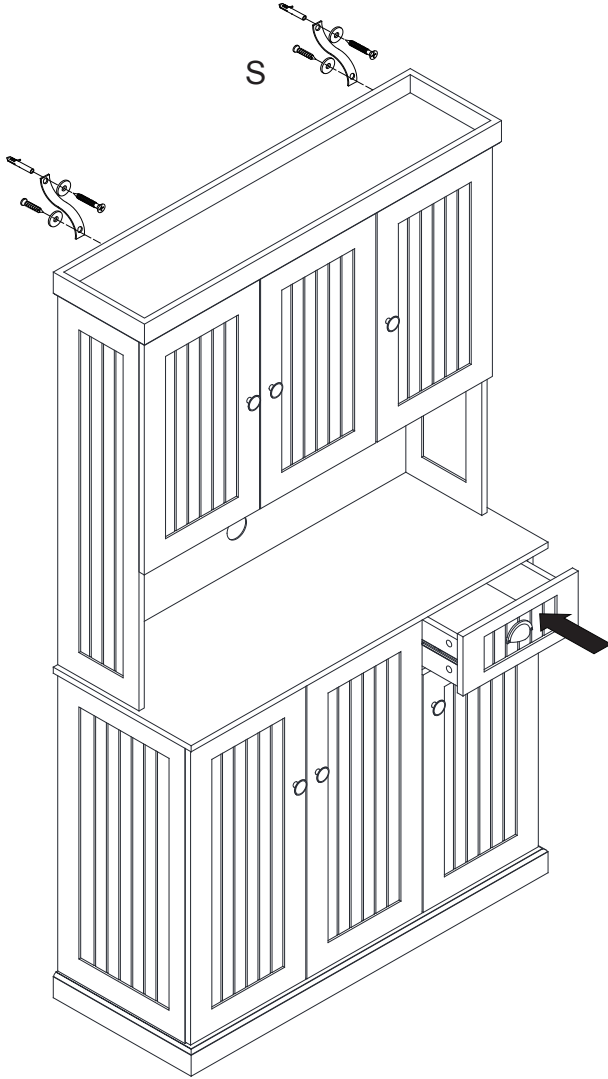
18



19



20



Assembly Instructions

