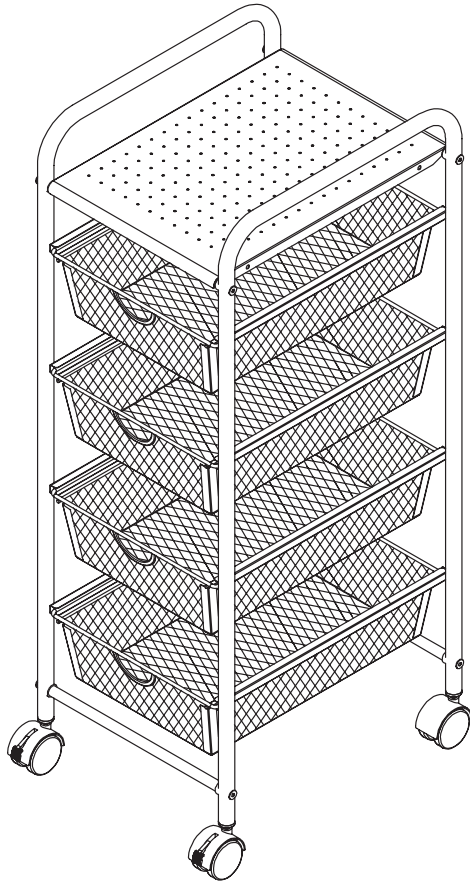




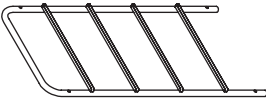
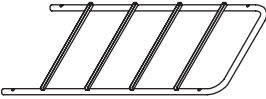
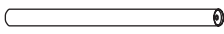
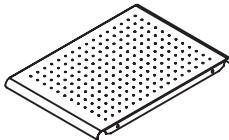
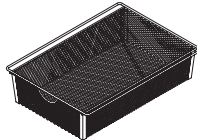





CRT-09588

4-drawer rolling cart

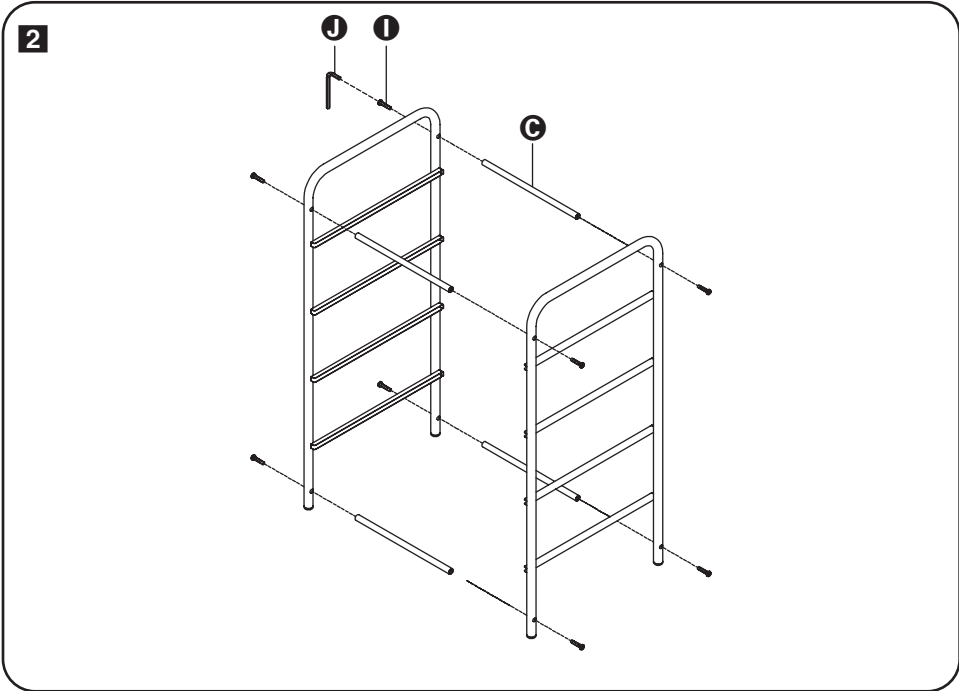
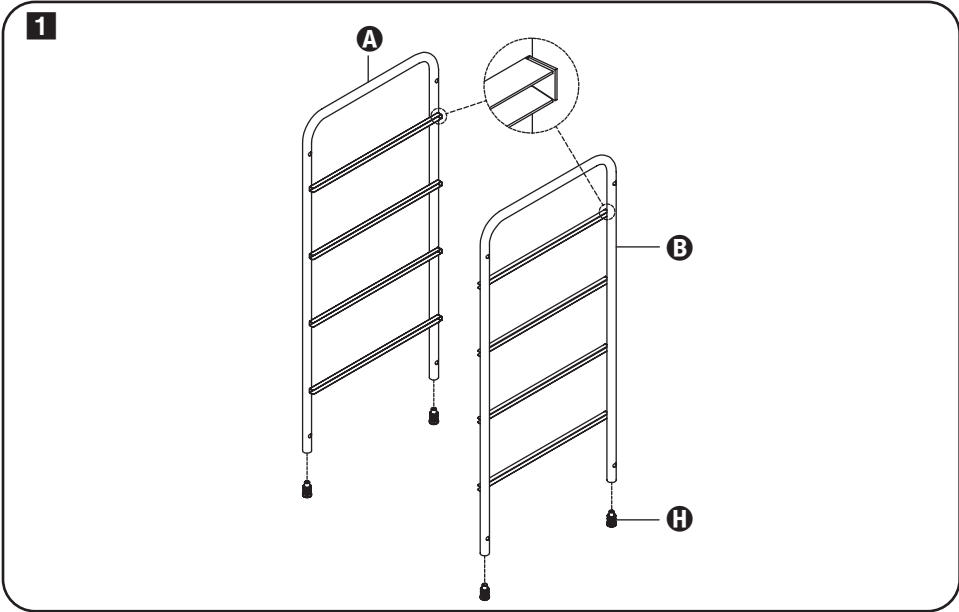


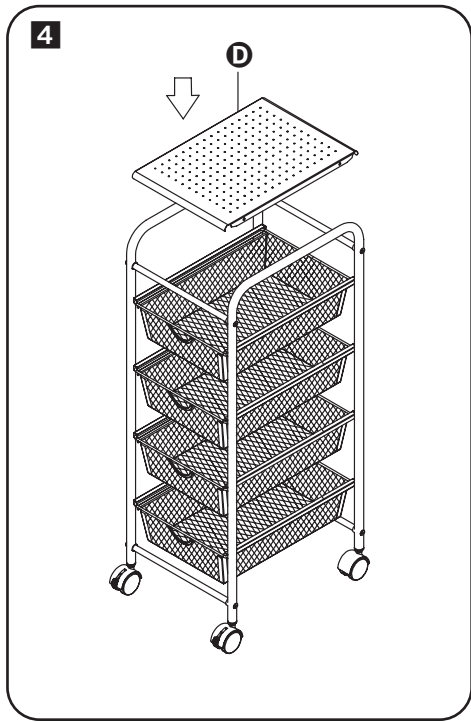
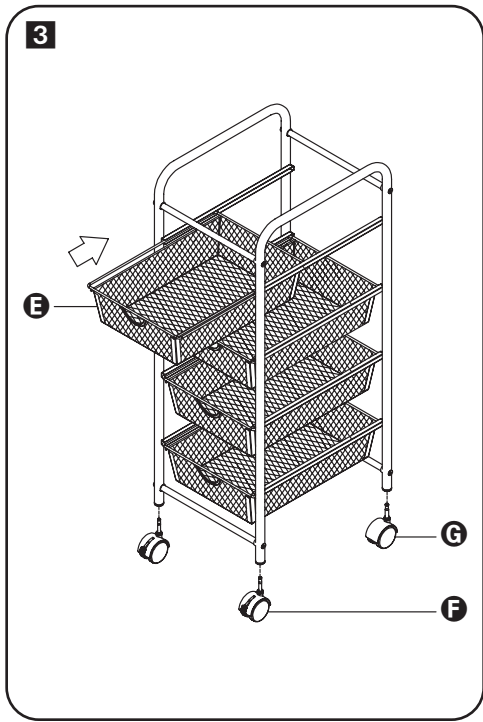
12.4" L x 15.4" W x 35" H

PARTS LIST

PART/ILLUSTRATION	(QTY)	DESCRIPTION
A 	(1)	side frame
B 	(1)	side frame
C 	(4)	support bars
D 	(1)	top shelf
E 	(4)	bins
F 	(2)	locking casters
G 	(2)	casters
H 	(4)	caster threads
I 	(8)	pan head, hex socket screws (1/4" x 28 mm)
J 	(1)	hex wrench

ASSEMBLY





honey•can•do

Honey-Can-Do International

5300 St. Charles Road, Berkeley, IL 60163 USA
877.242.2636 | honeycando.com | support@honeycando.com
©2021 Honey-Can-Do International, LLC | All Rights Reserved

Visit [youtube.com/myhoneycando](https://www.youtube.com/myhoneycando) to watch our assembly videos.