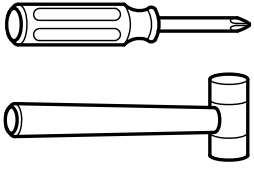
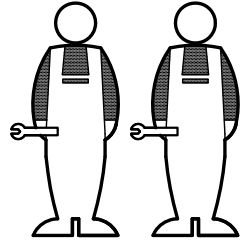


ASSEMBLY INSTRUCTIONS

Kitchen Cart

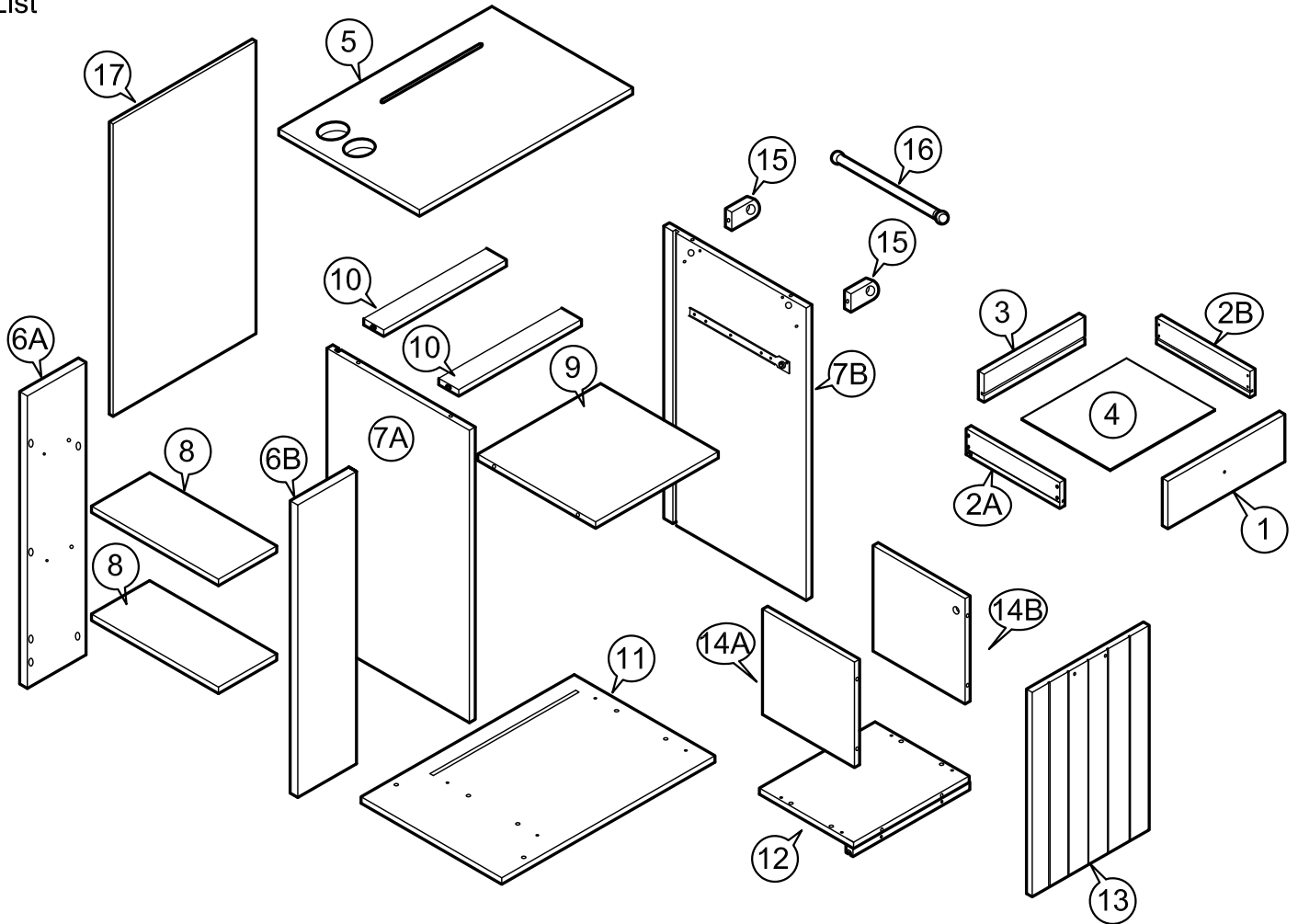


Not Provided

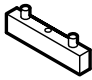






2 Persons

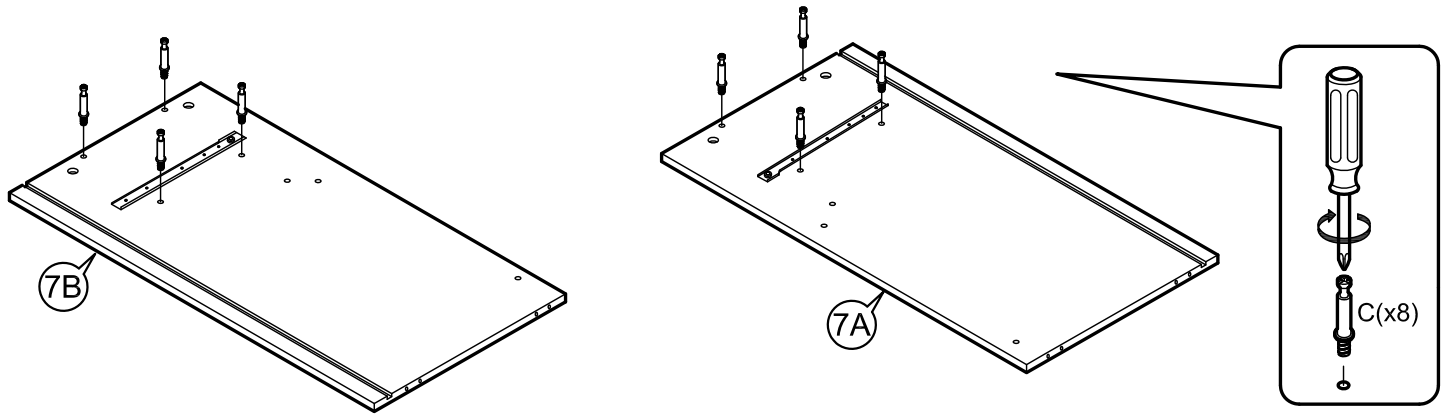
Part List



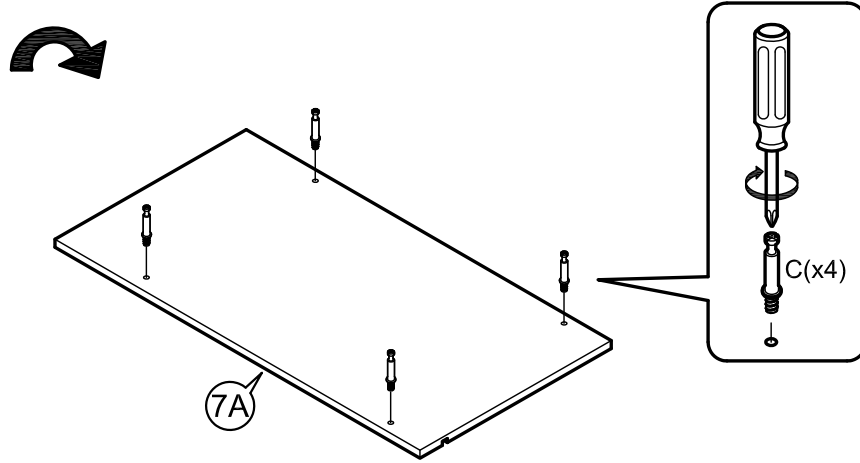
Hardware List

A	M6 x40mm = 2	G	#8 x 1 1/4" = 16 (Black)	M	 = 3	R	 = 1
B	M4 = 1	H	M4 x 16mm = 16 (Caster)	N	386 x 9 Ømm = 4		
C	34mm = 22	I	M4 x 25mm = 2	O	50mm = 2		
D	24mm = 2	J	M8 x30mm = 16				
E	12mm = 22	K	 = 1	P	50mm = 2		
F	M3 x16mm(Black) = 3	L	20mm = 3				

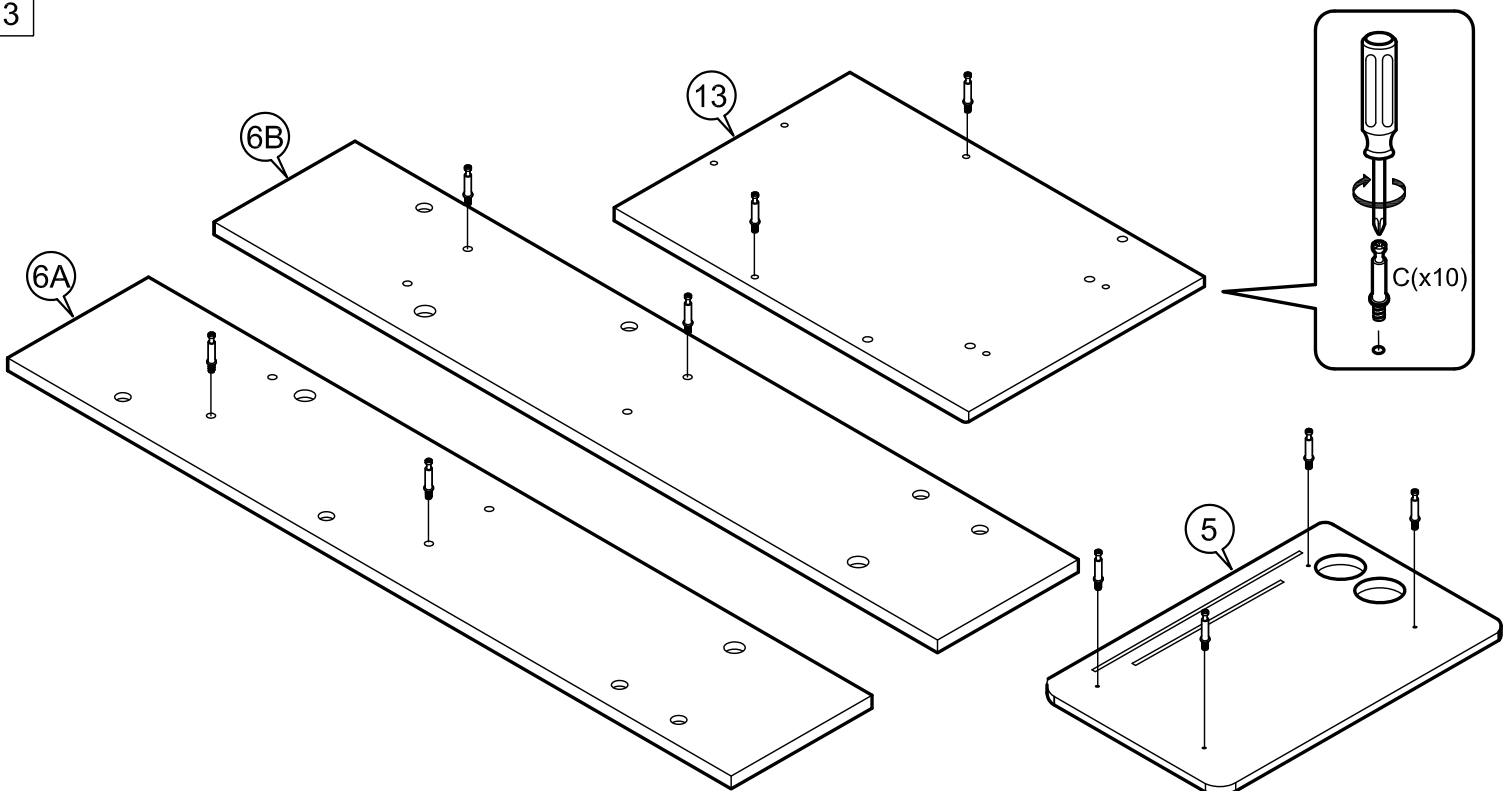
1



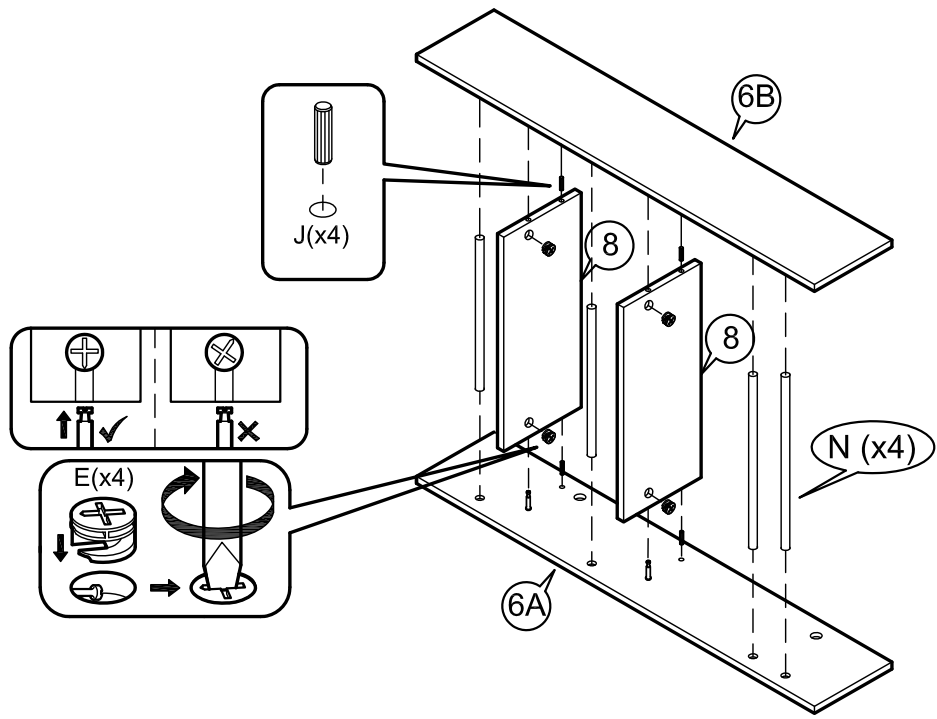
2



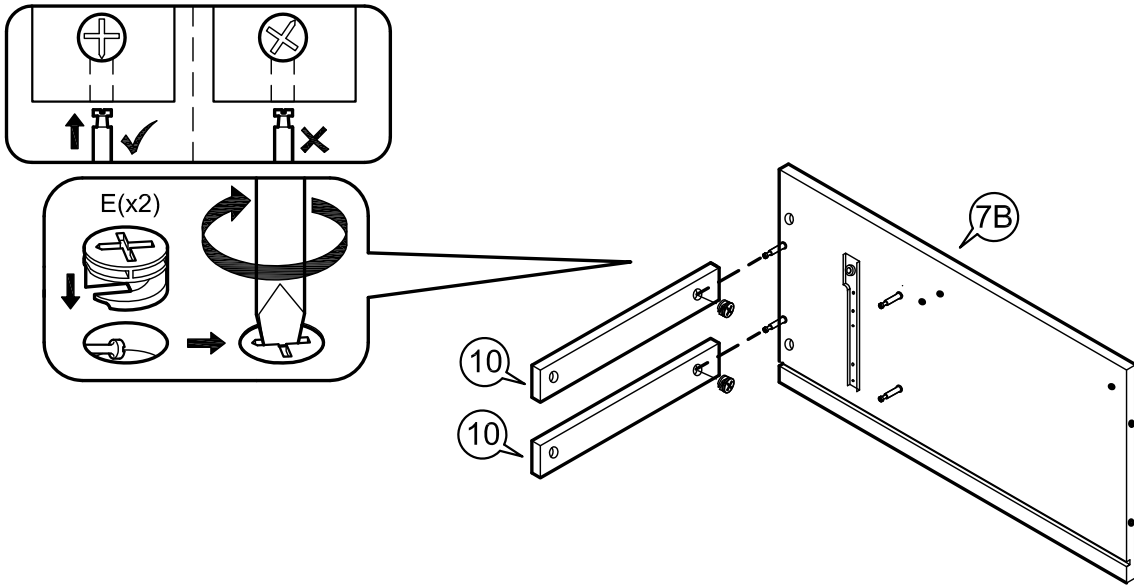
3



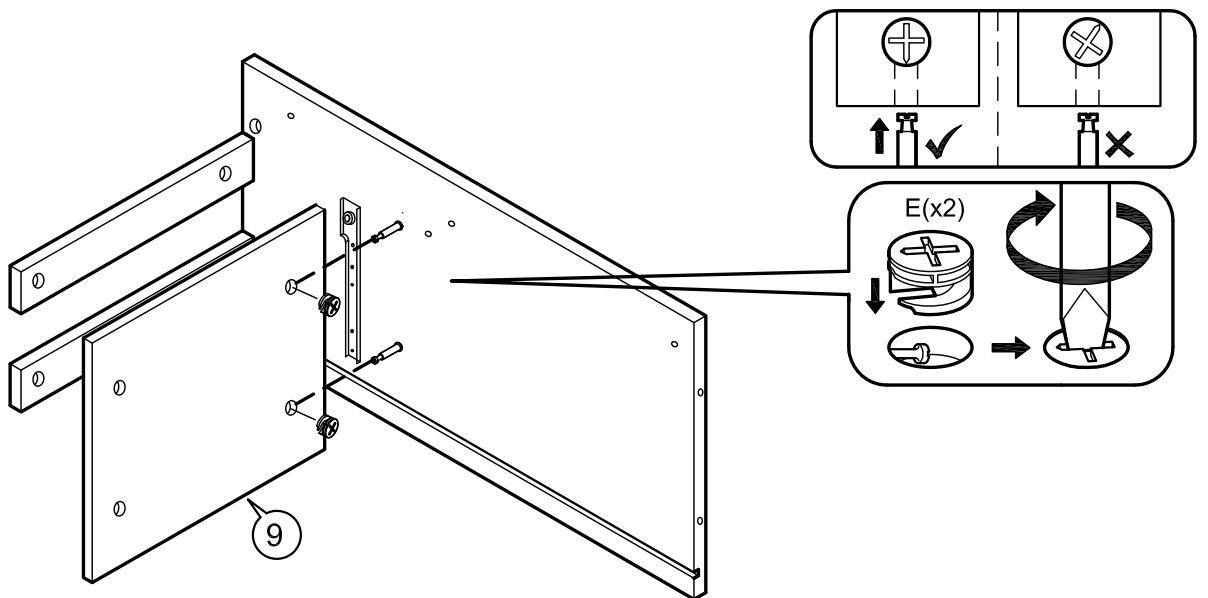
4



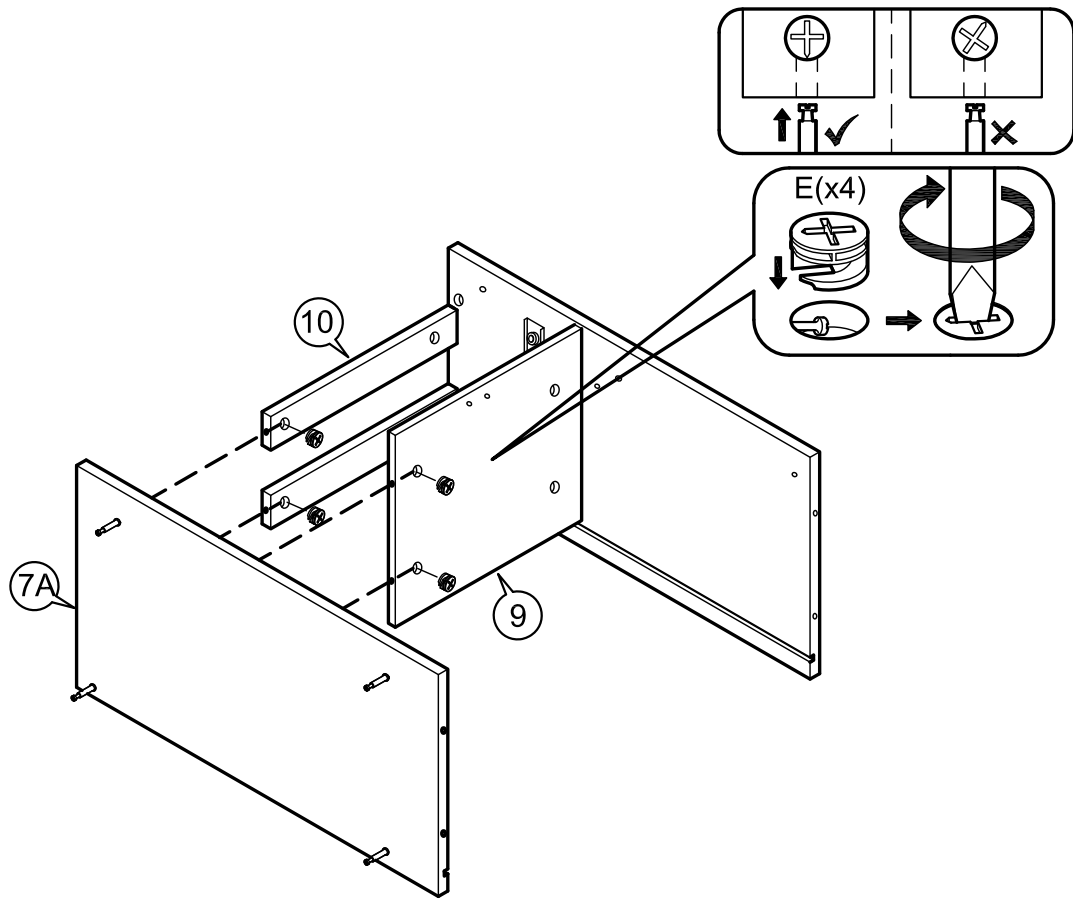
5



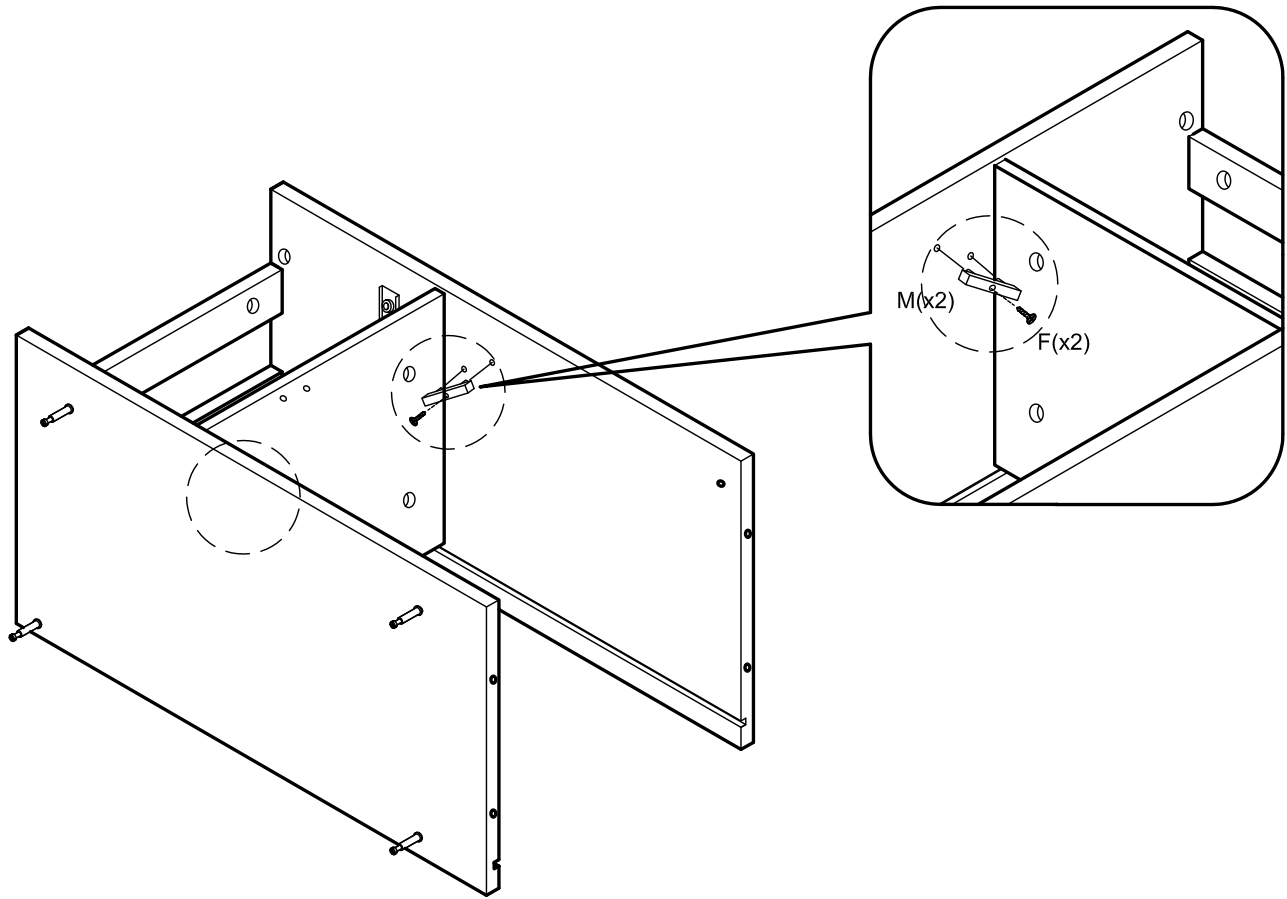
6



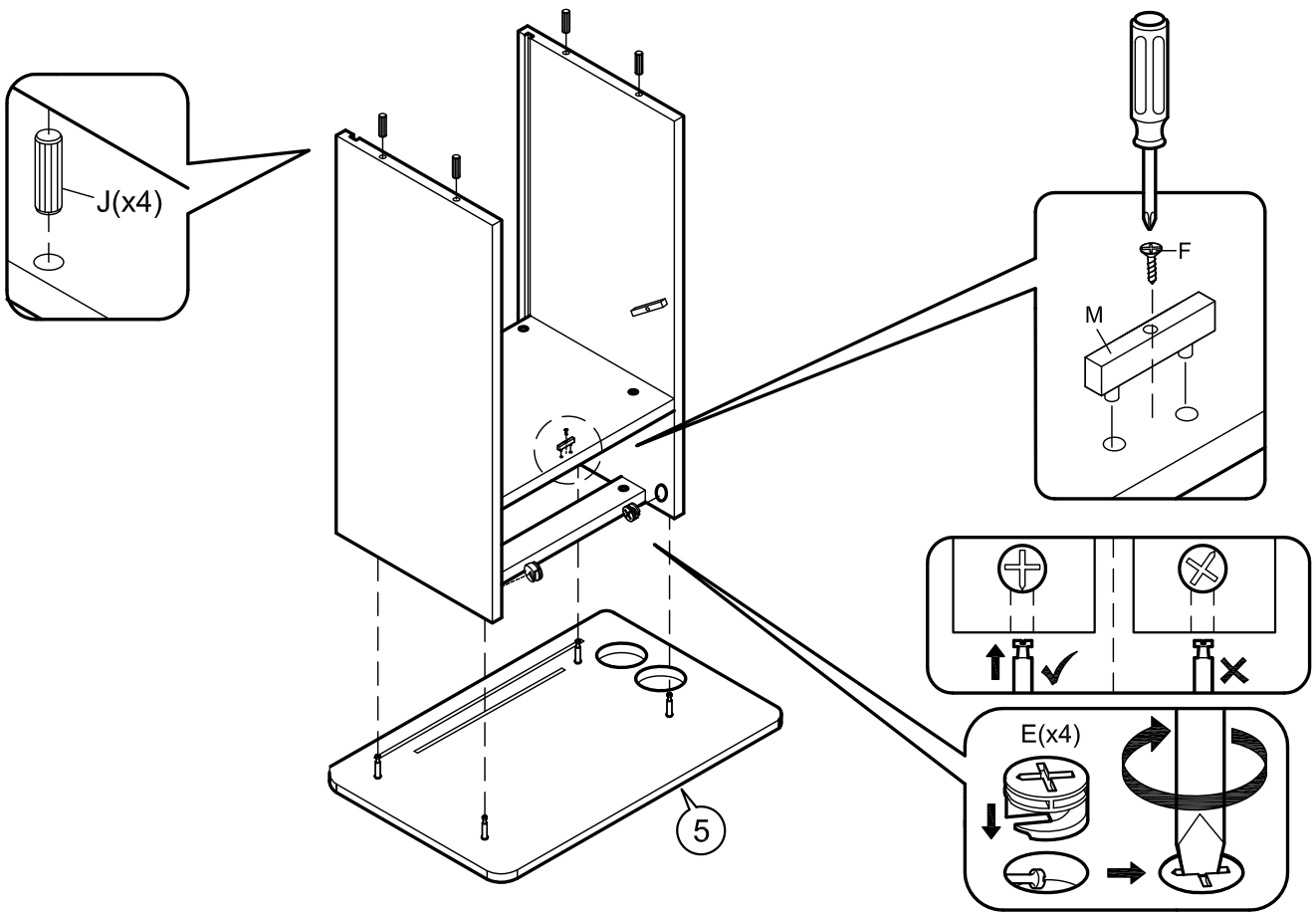
7



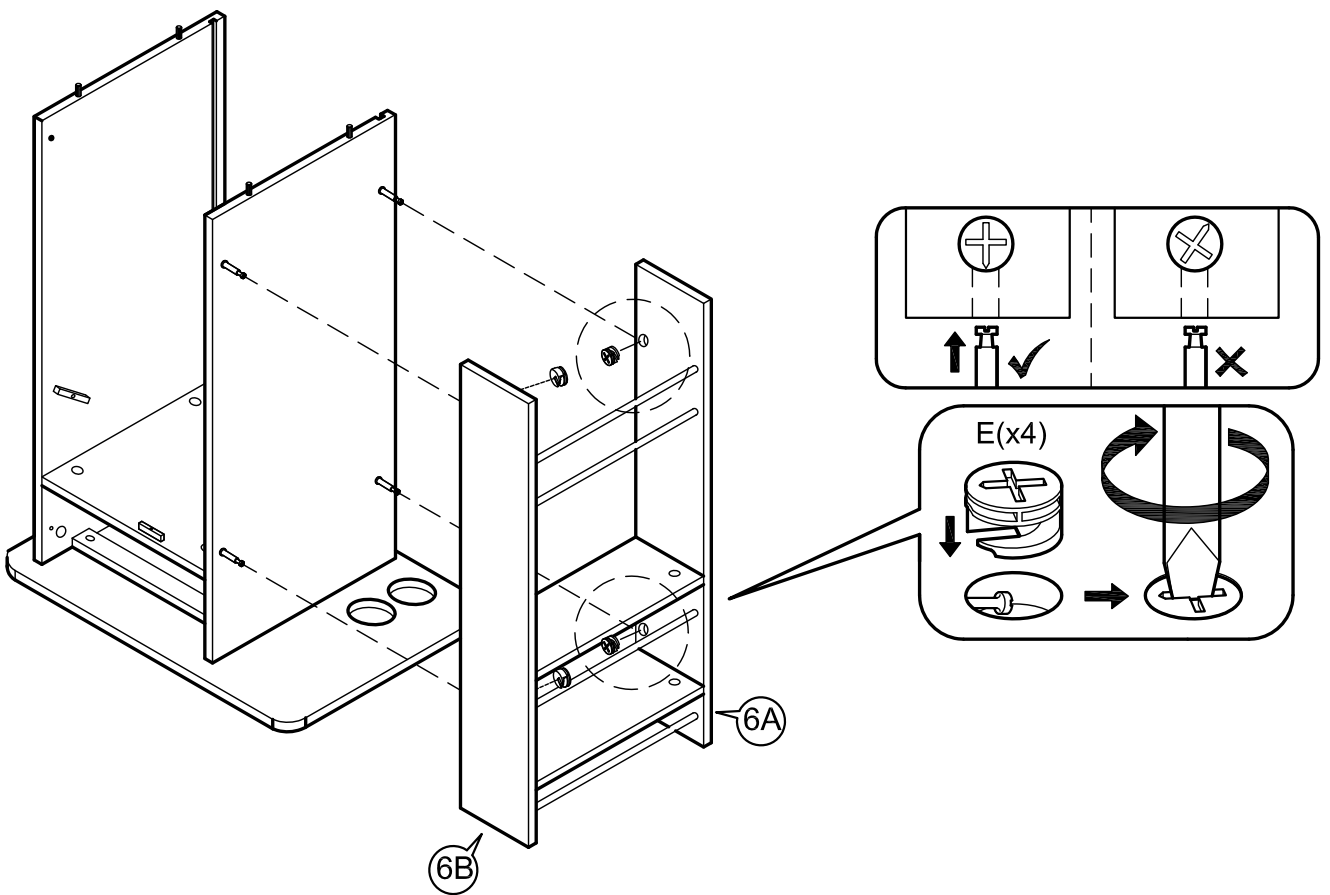
8



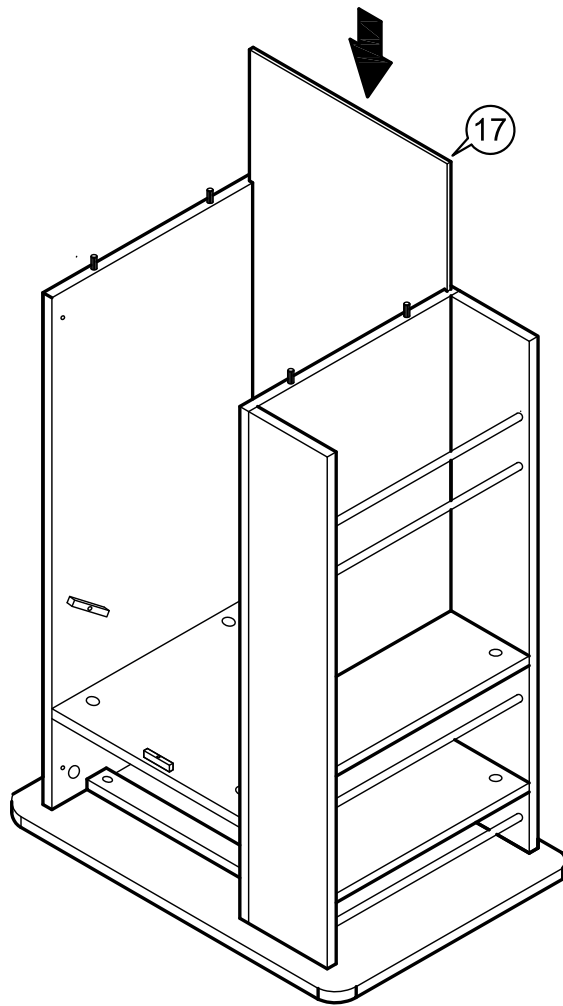
9



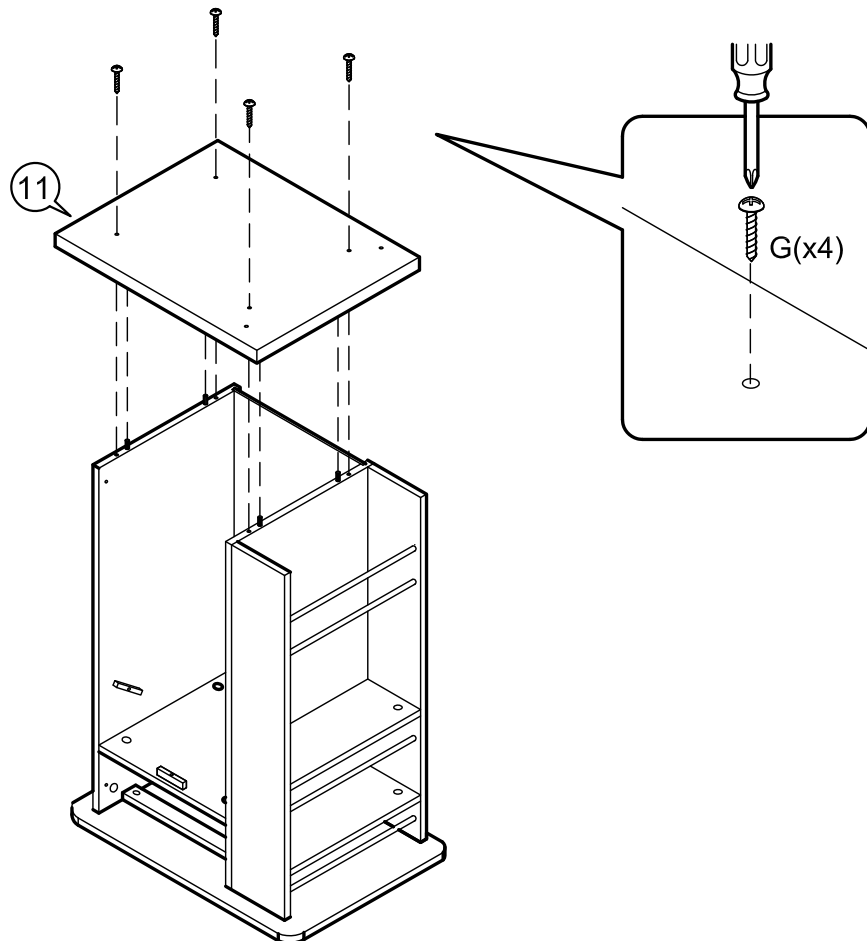
10



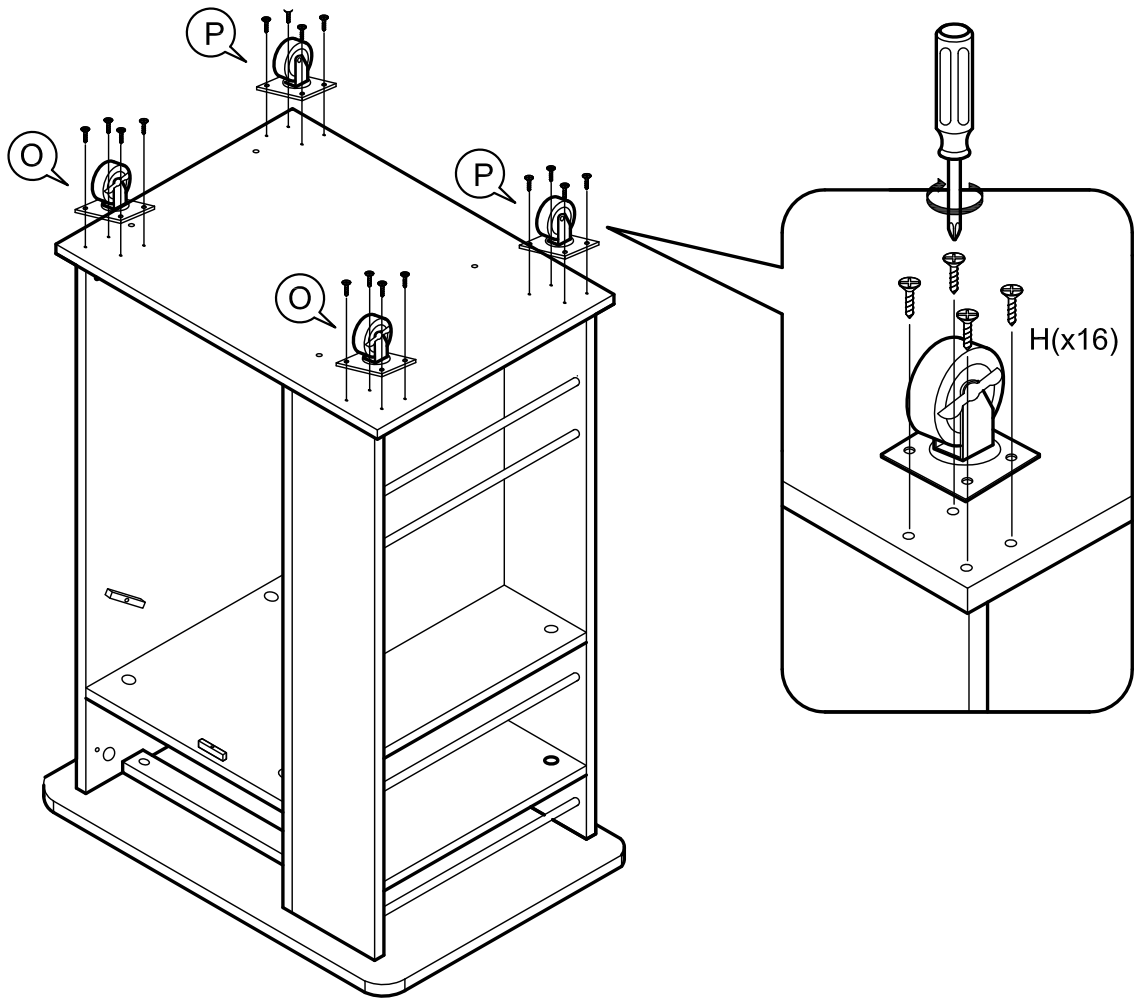
11



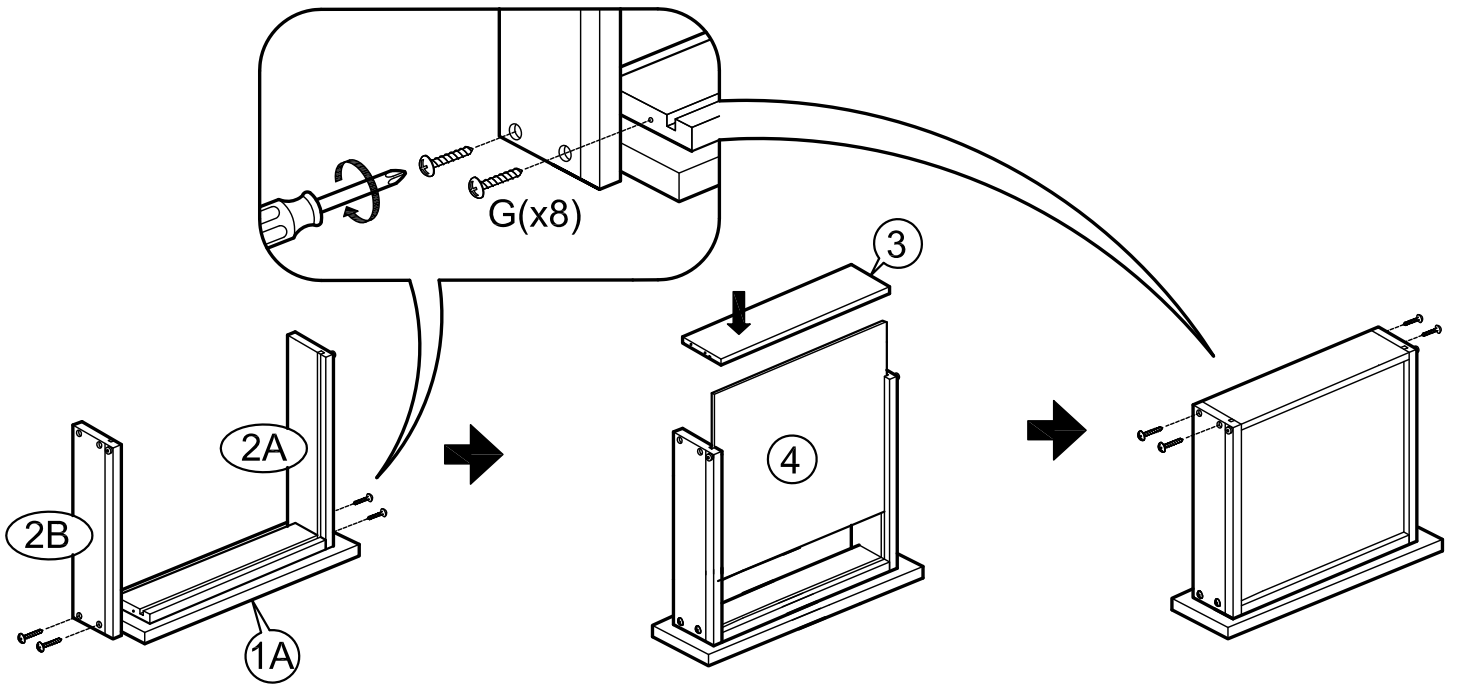
12



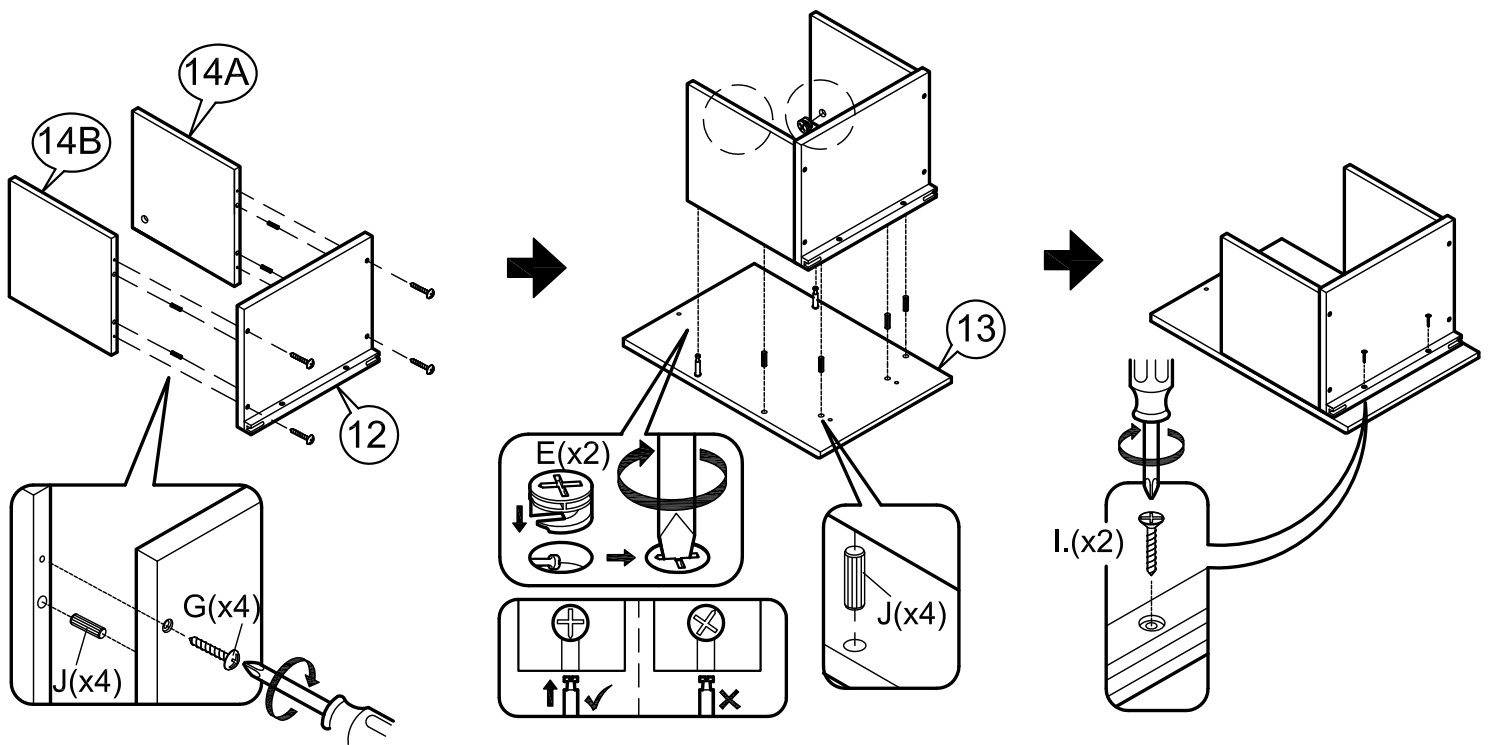
13



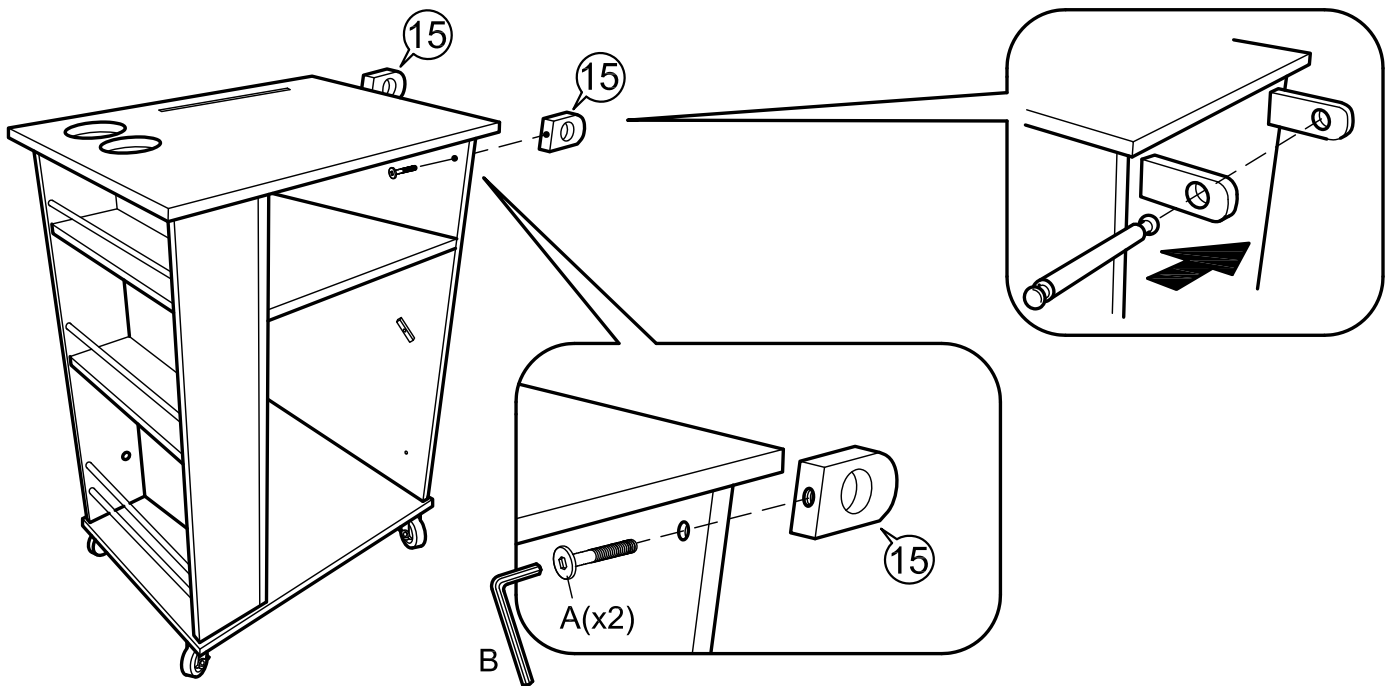
14



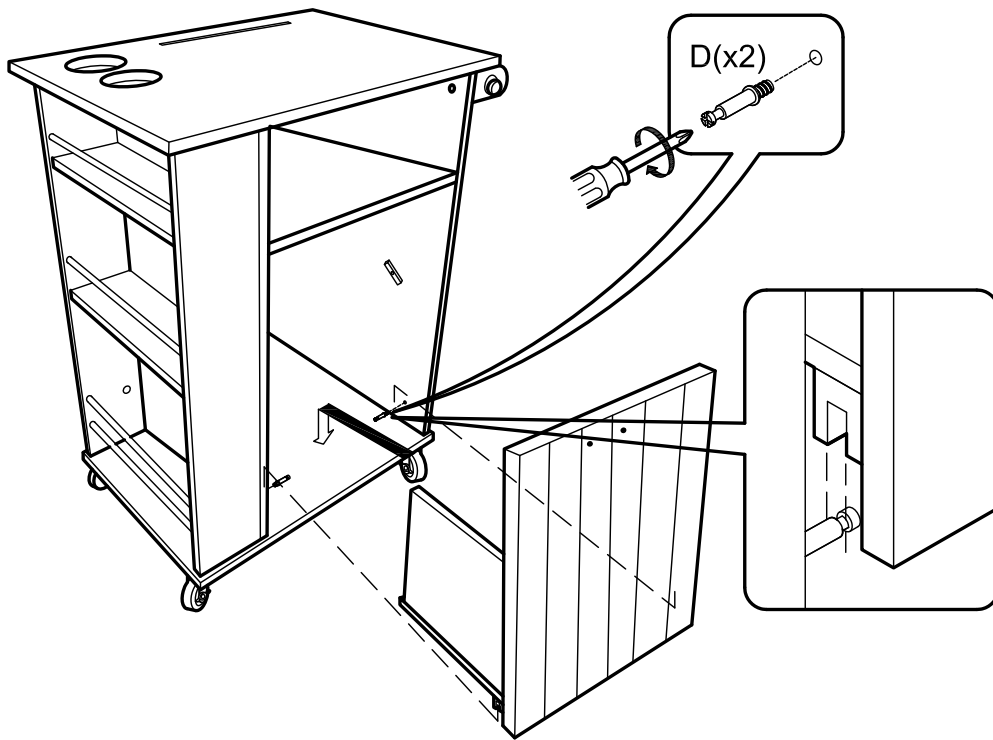
15



16



17



18

