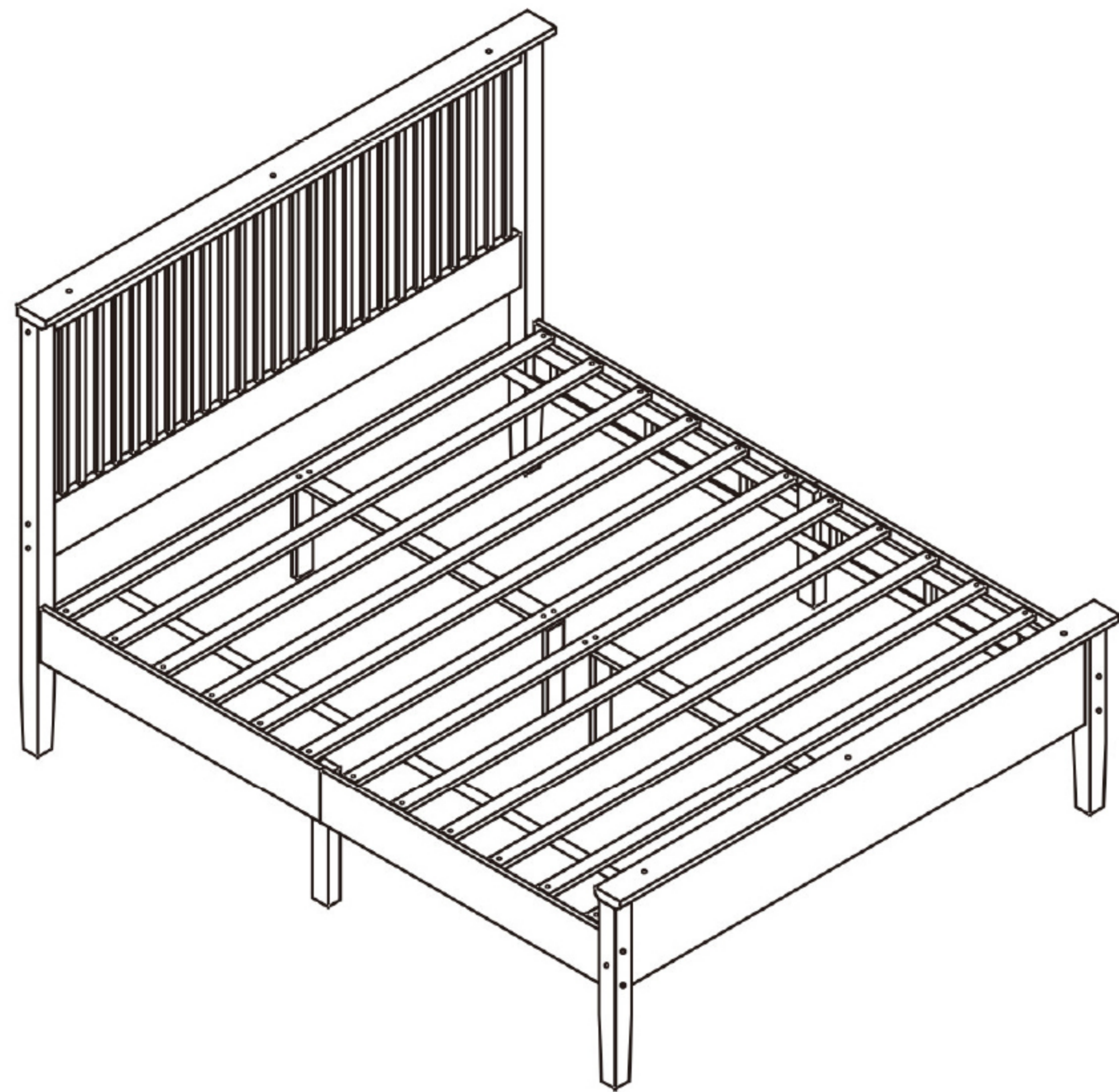









BETTER HOME PRODUCTS

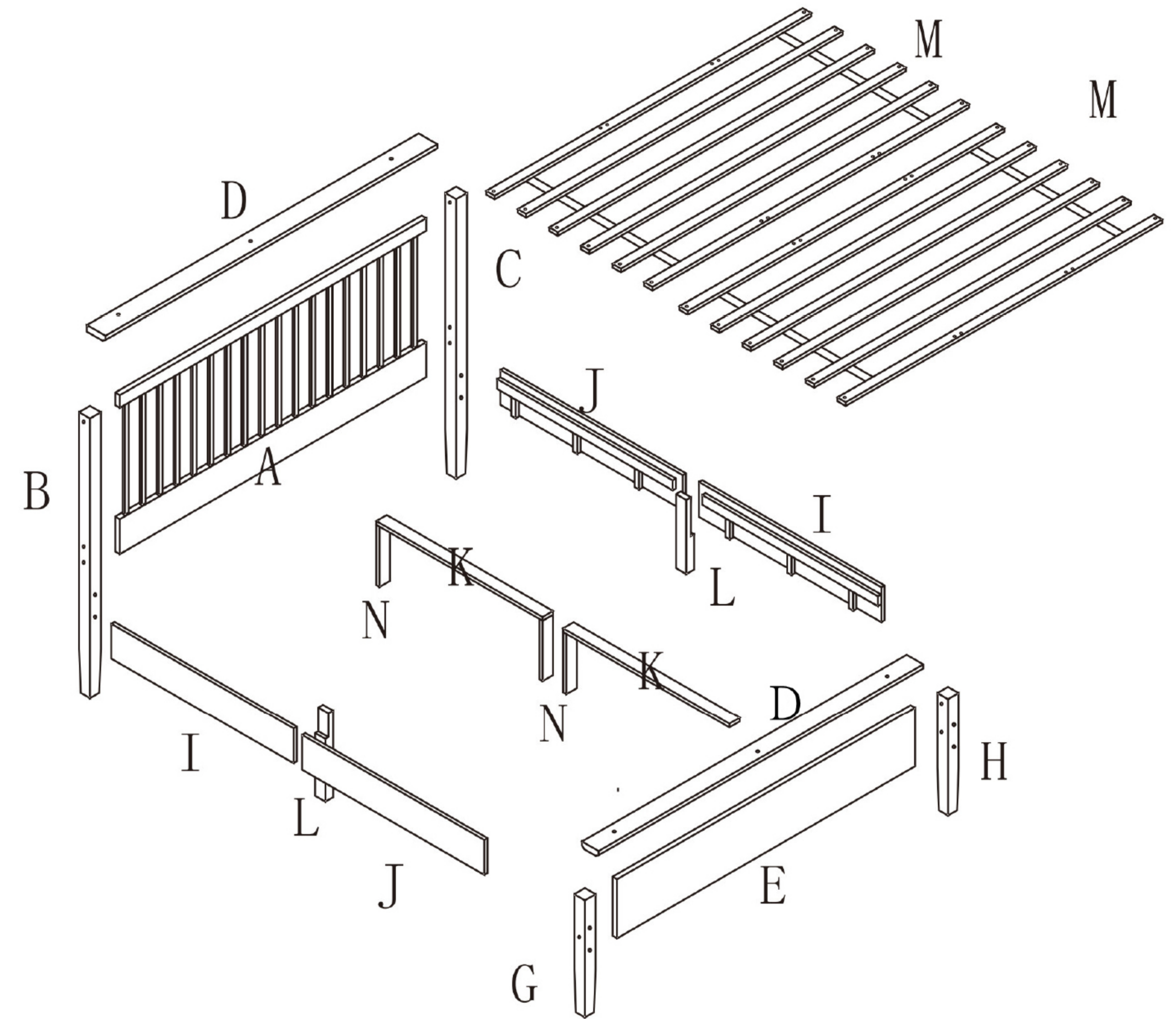
ASSEMBLY INSTRUCTIONS

Pine Bed (Full Size/Queen Size)



Hardware list

0		2.75 inches bolt	16 pcs
1		1.57 inches bolt	14 pcs
2		1.38 inches bolt	8 pcs
3		cam	16 pcs
5		wooden dowel	12 pcs
6		wooden cap	22 pcs
7		screw driver	1 pc
8		1.18 inches screw	32 pcs



Parts list

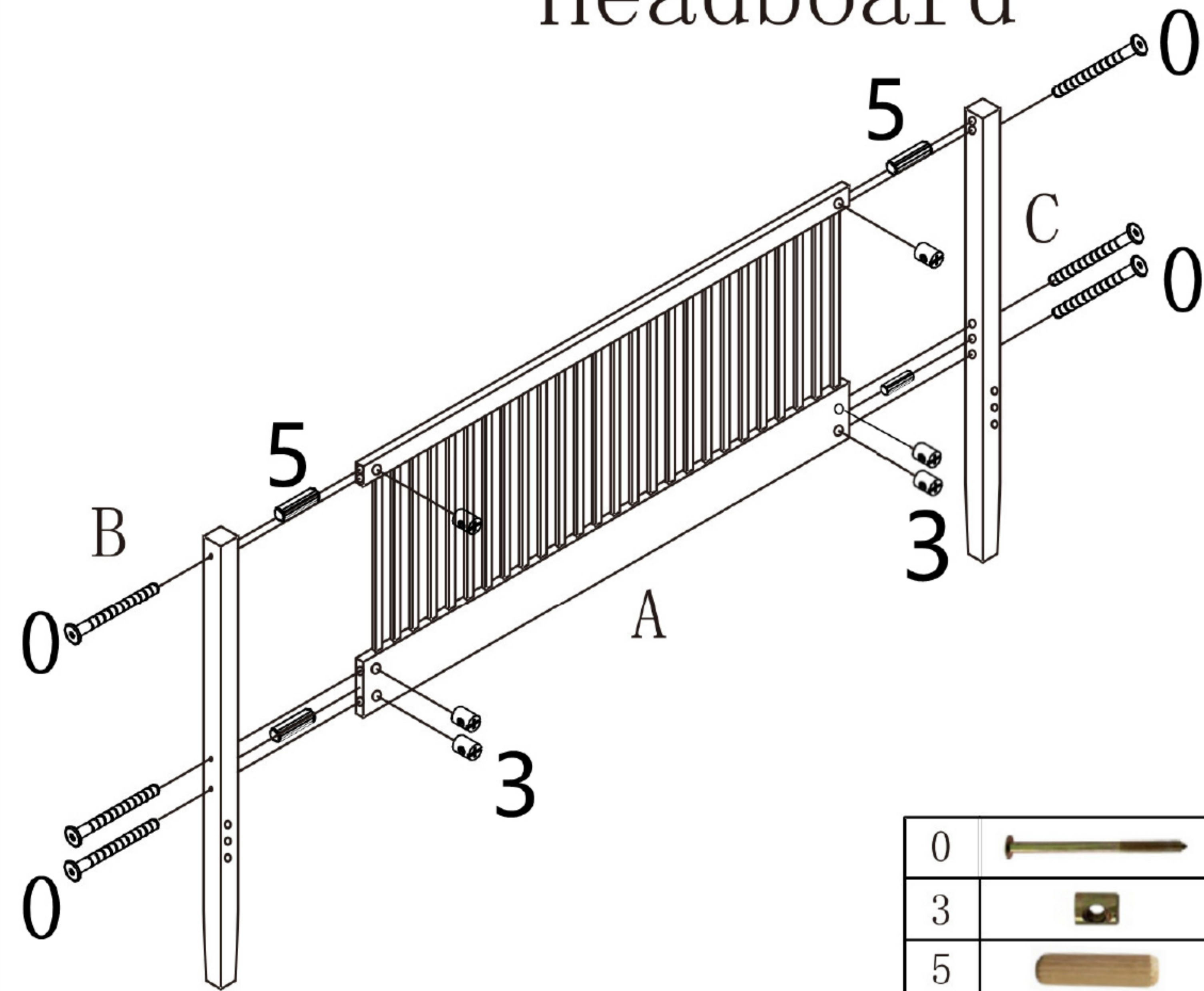
A	Headboard	1 pc
B	Headboard legs	1 pc
C	Headboard legs	1 pc
D	Brim	2 pc
E	Footboard	1 pc
L	Support legs	2 pcs
G	Footboard legs	1 pc
H	Footboard legs	1 pc
I	Side rails	2 pcs
J	Side rails	2 pcs
K	Center support slats	2 pcs
M	Slats	2 sets
N	Center support legs	3 pcs



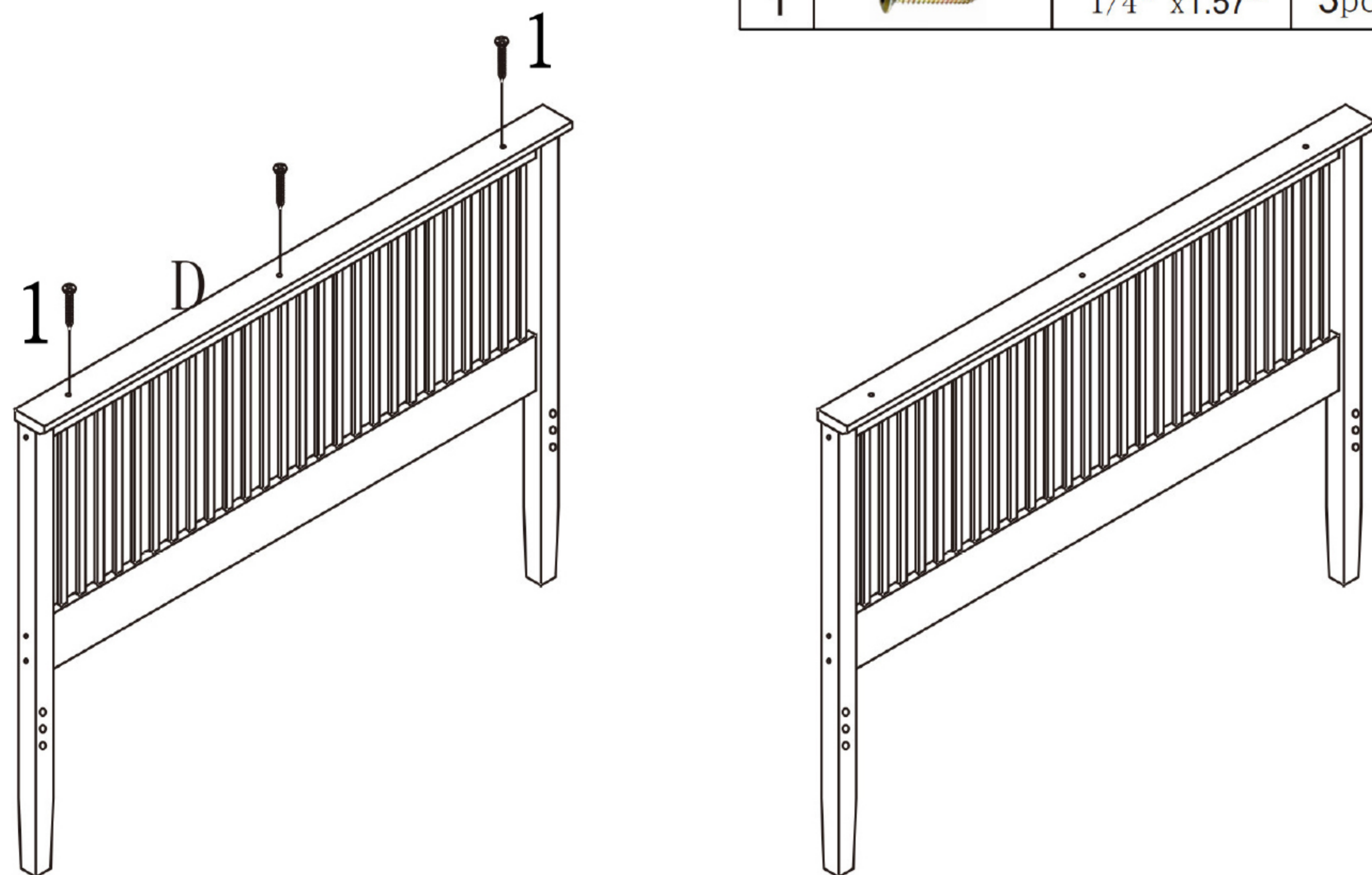
Before Starting assembly
please verify if all parts and
hardware are included.

STEP 1

Headboard

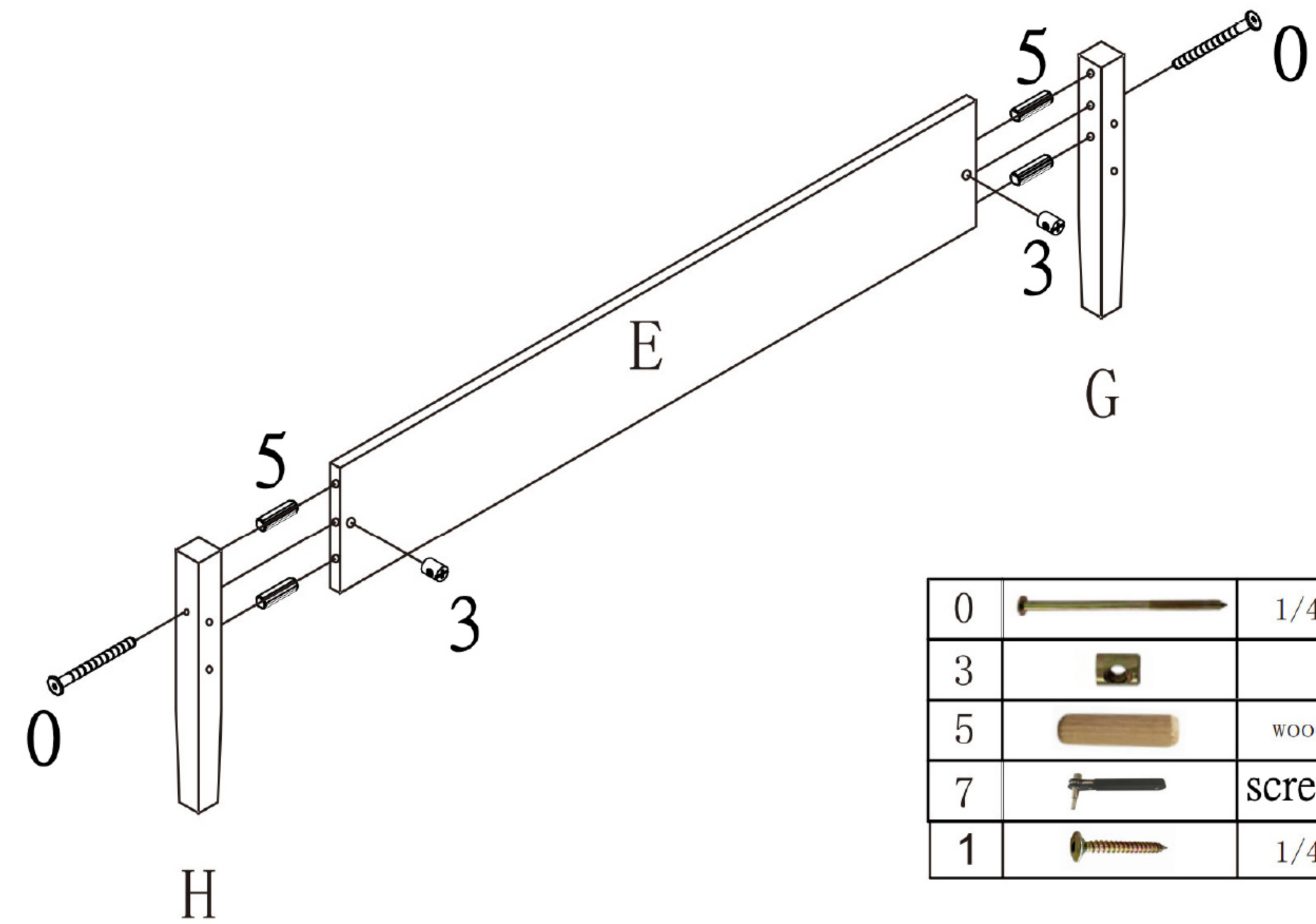


0		1/4" x2.75"	6pcs
3		cam	6pcs
5		wooden dowel	4pcs
7		screw driver	1pc
1		1/4" x1.57"	3pcs

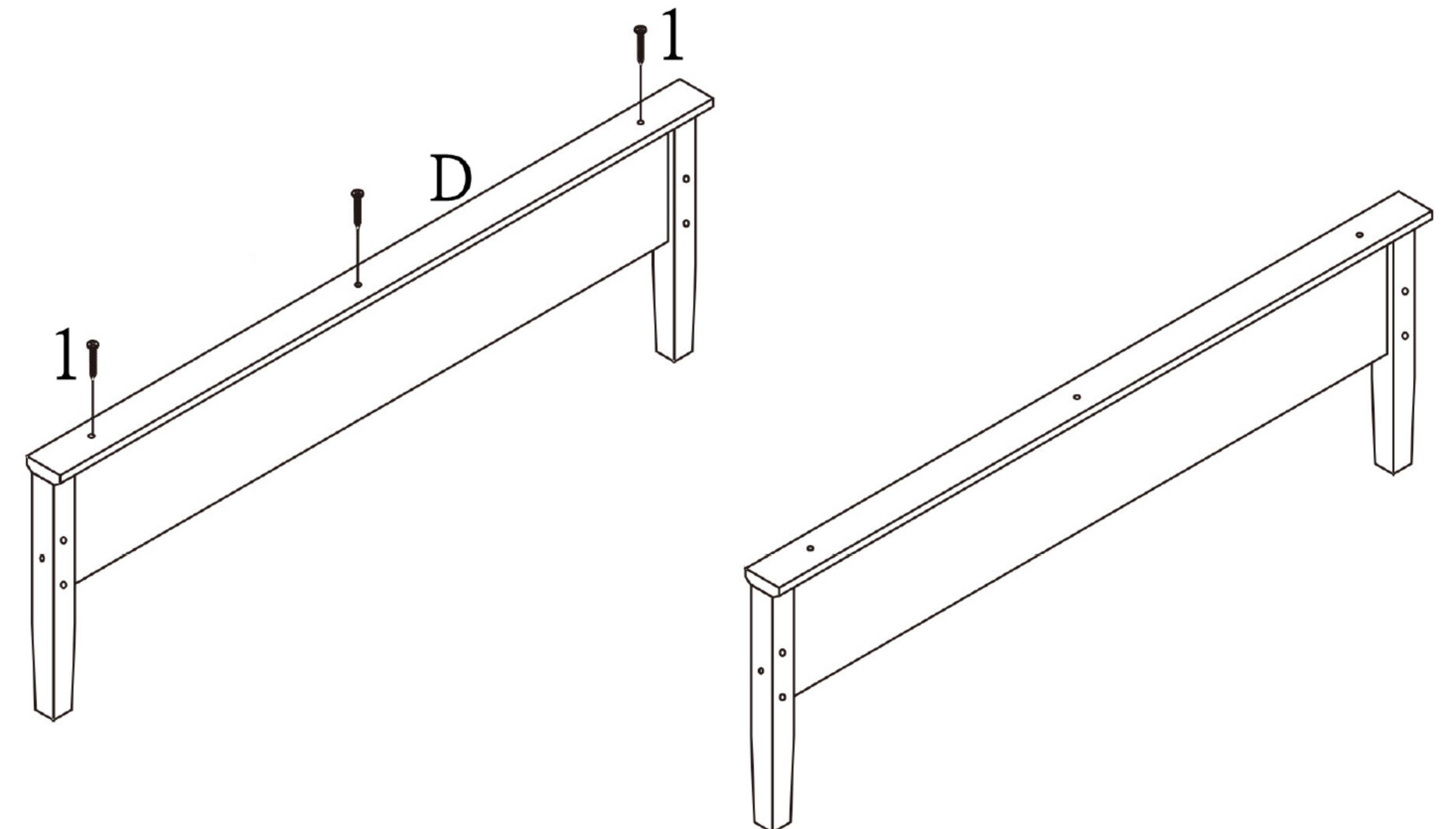


STEP 2

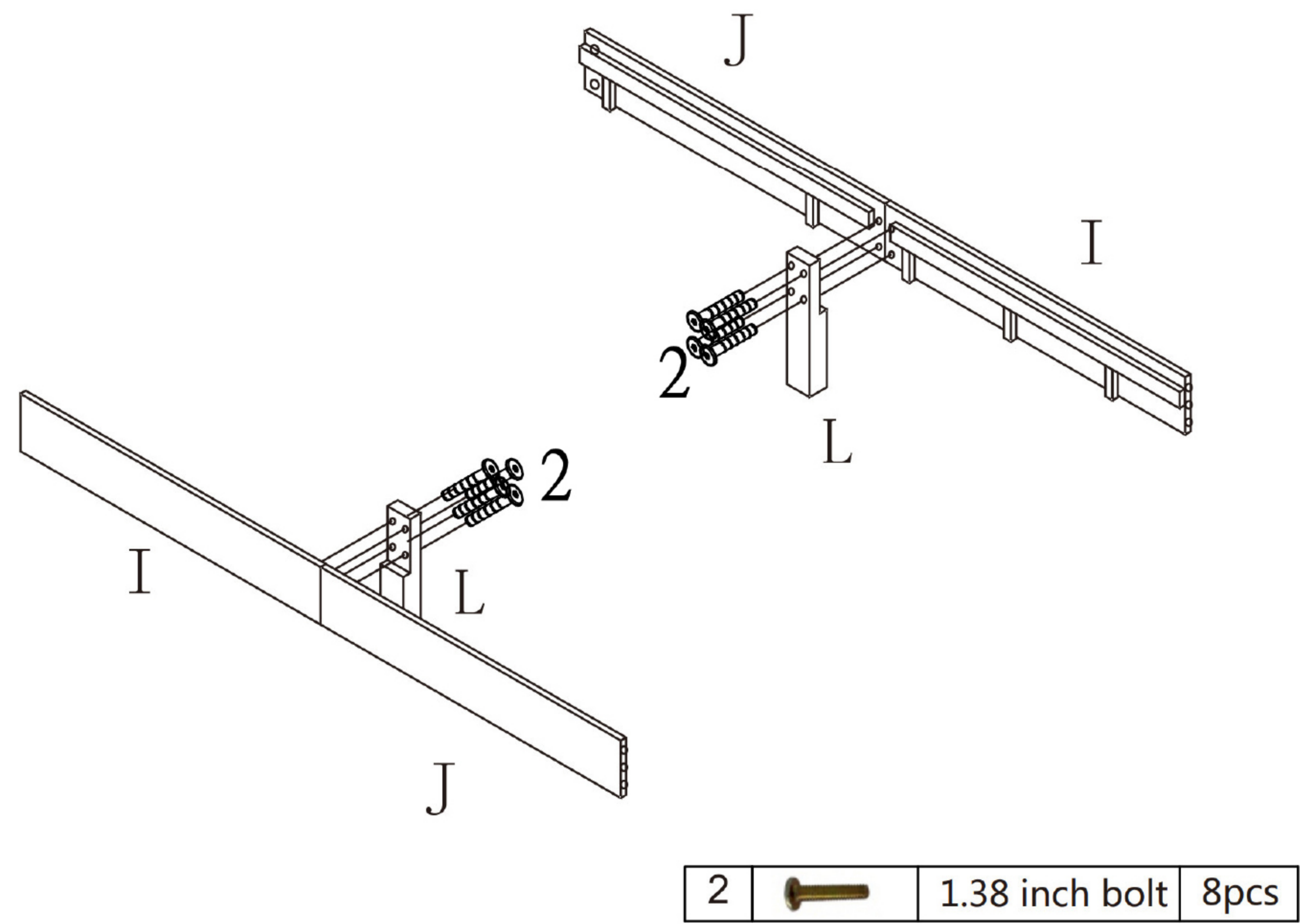
Footboard



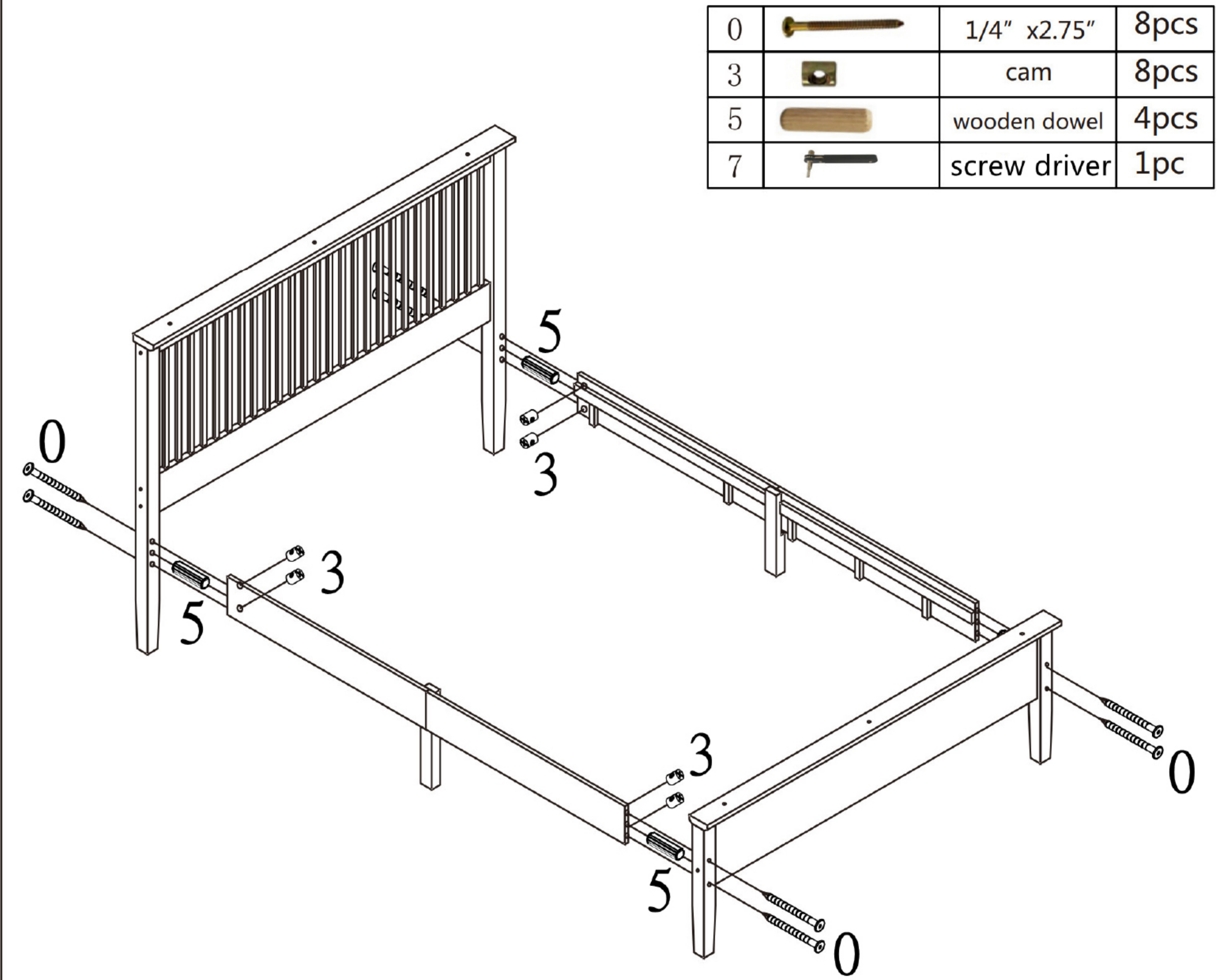
0		1/4" x2.75"	2pcs
3		cam	2pcs
5		wooden dowel	4pcs
7		screw driver	1pc
1		1/4" x1.57"	3pcs



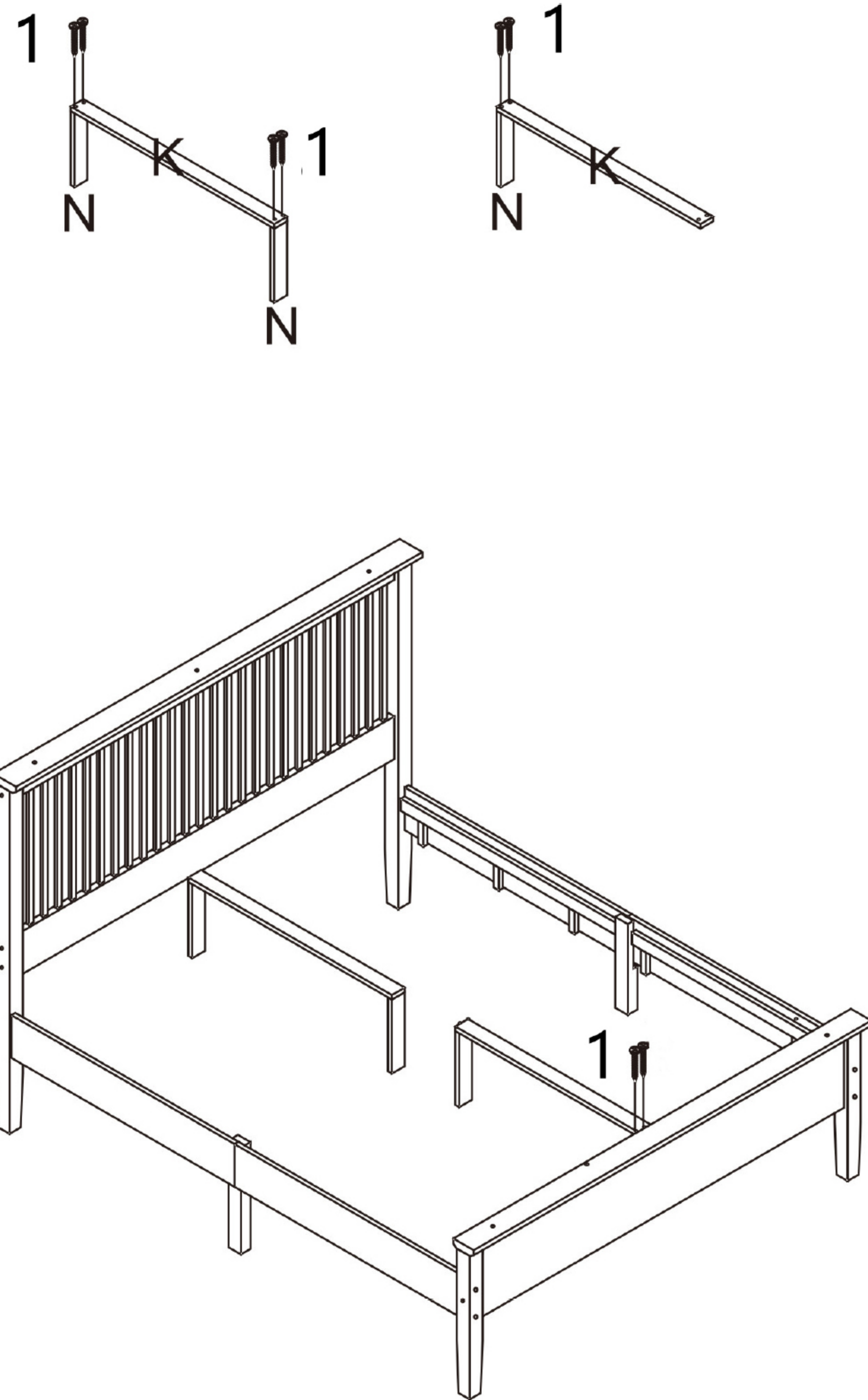
STEP 3



STEP 4

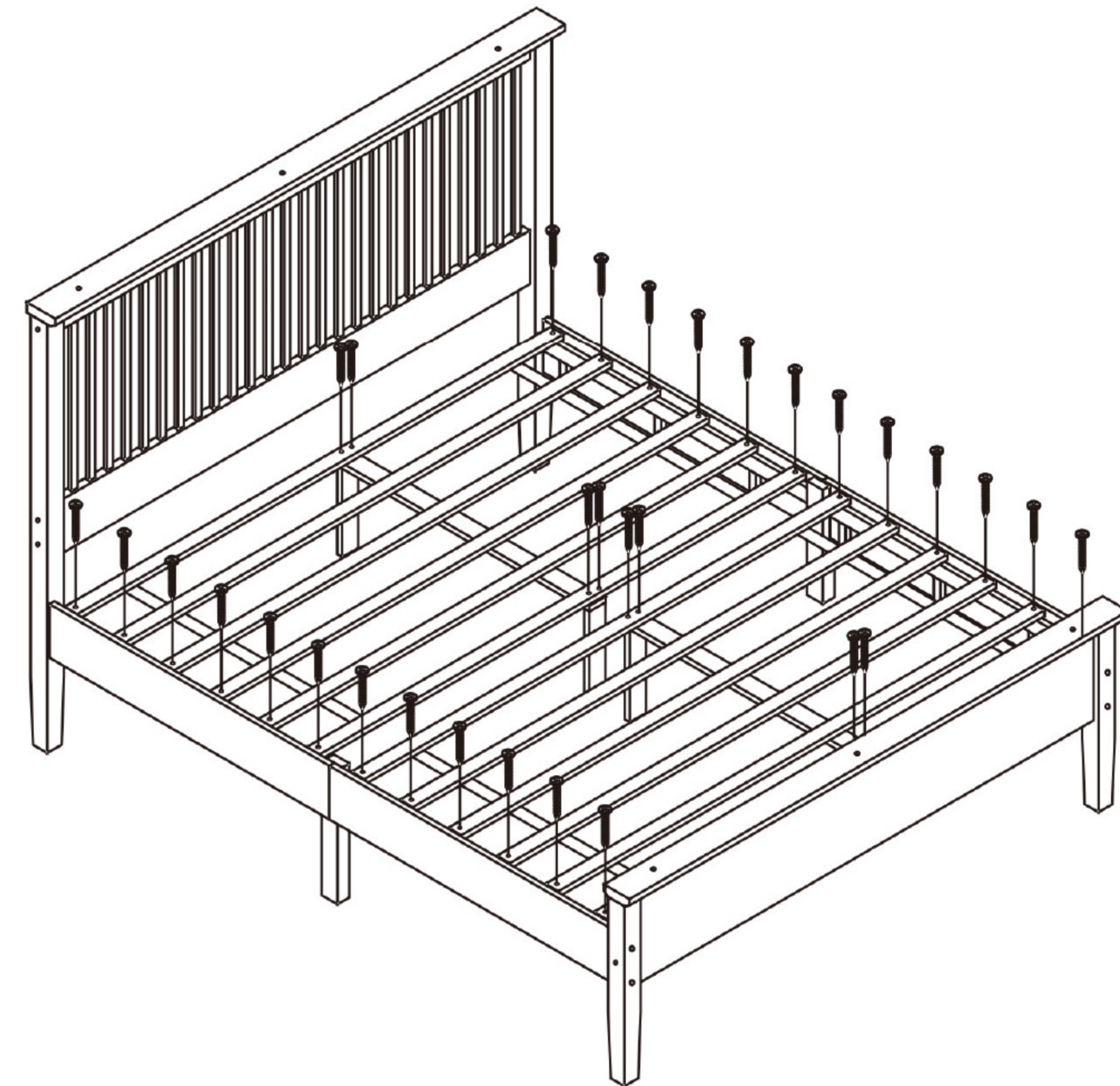



STEP 5



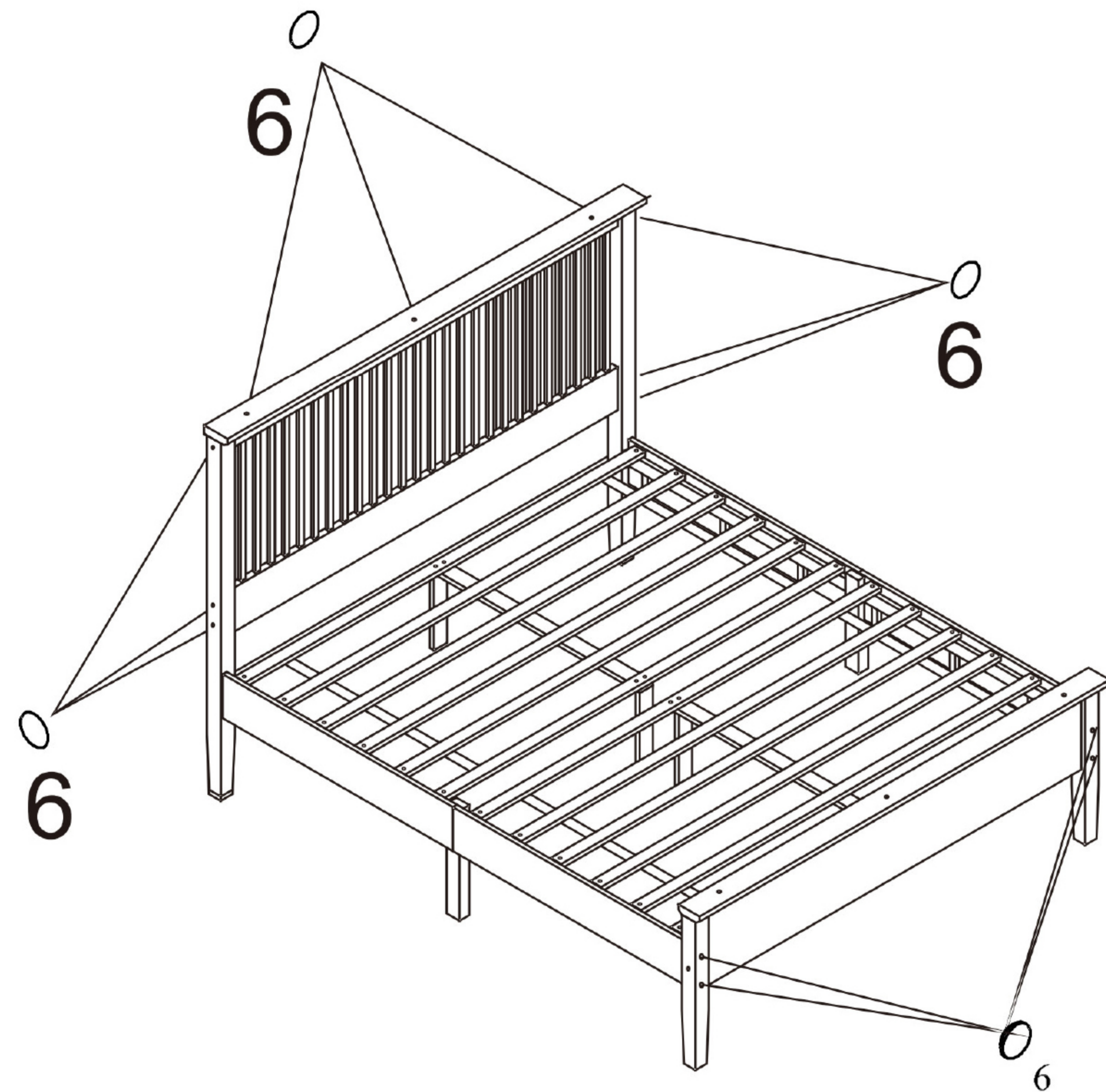
1		1.57 inches bolt	8 pcs
---	---	------------------	-------


STEP 6



8		1.18 inches screw	32 pcs
---	---	-------------------	--------

STEP 7



6		wooden cap	22 pcs
---	---	------------	--------

THANK YOU

We hope you enjoy your new purchase.

We have personally inspected this product.

In the event that you need any additional help for any reason,

Please do not hesitate to contact us

Thank you