

User Manual

◆ **Product Name:** Leisure Chair

◆ **Size:** W56xD69.5xH94cm

◆ **Application:** Indoor Use

◆ **Main & Auxiliary Materials:** Metalwire, foam ,metal frame ,fabric

◆ **Usage:** Sit or lie down on the sofa, body better not with hard objects

◆ **Cautions:** Please avoid to get dirty of sofa surface with oil stain, ball-point pen, ink, etc. Cushion cover is removable to wash.


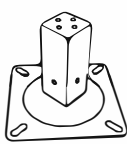
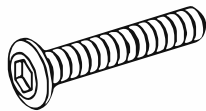

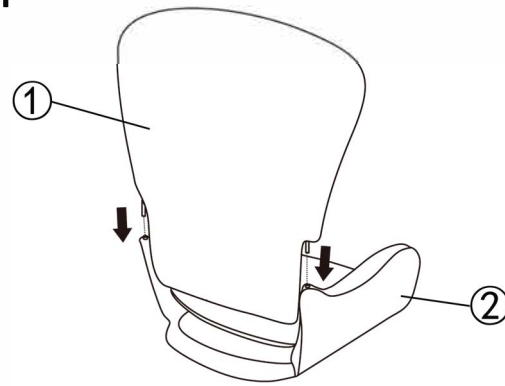
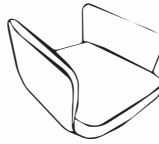
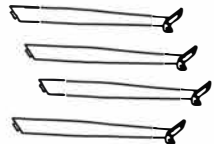
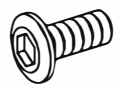

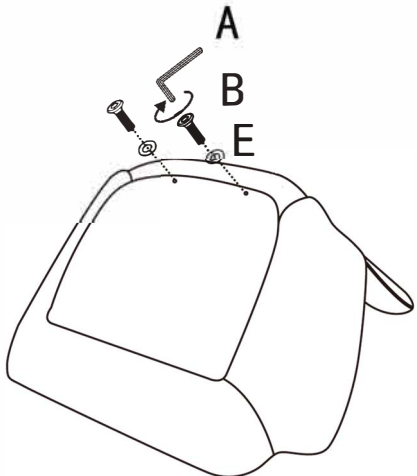
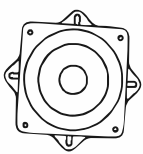

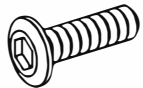
◆ **Maximal Residue Limits of Hazardous Chemicals:**

1: Formaldehyde Release Rate $\leq 0.050\text{mg}/\text{m}^3$

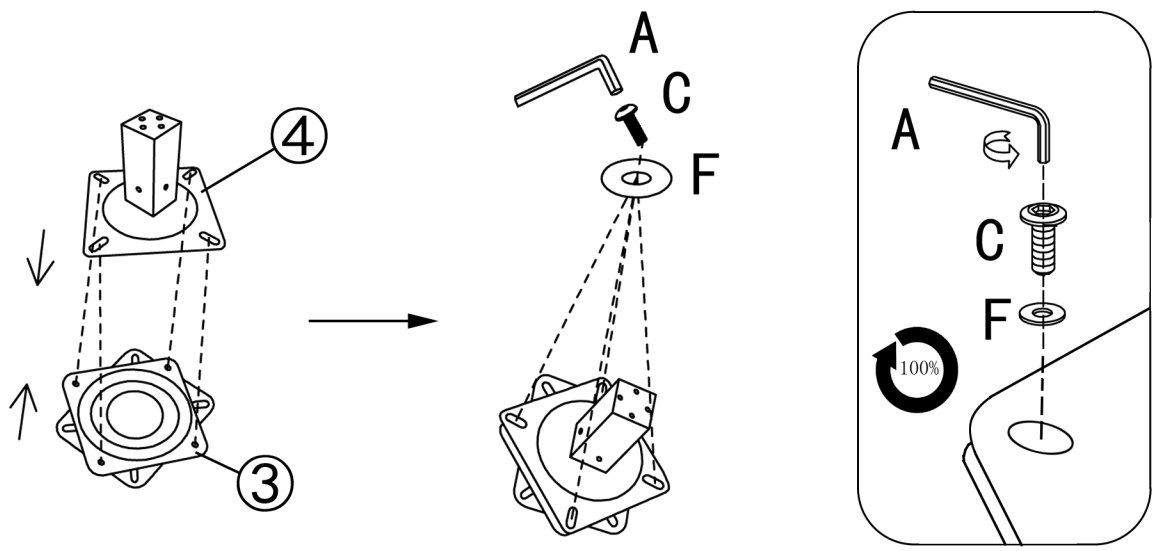
2: Decomposable Aromatic Amine Dyes of Textile Fabrics &Leather is Disable.

3: Formaldehyde of Textile Fabrics should be less than Class B 75mg/kg

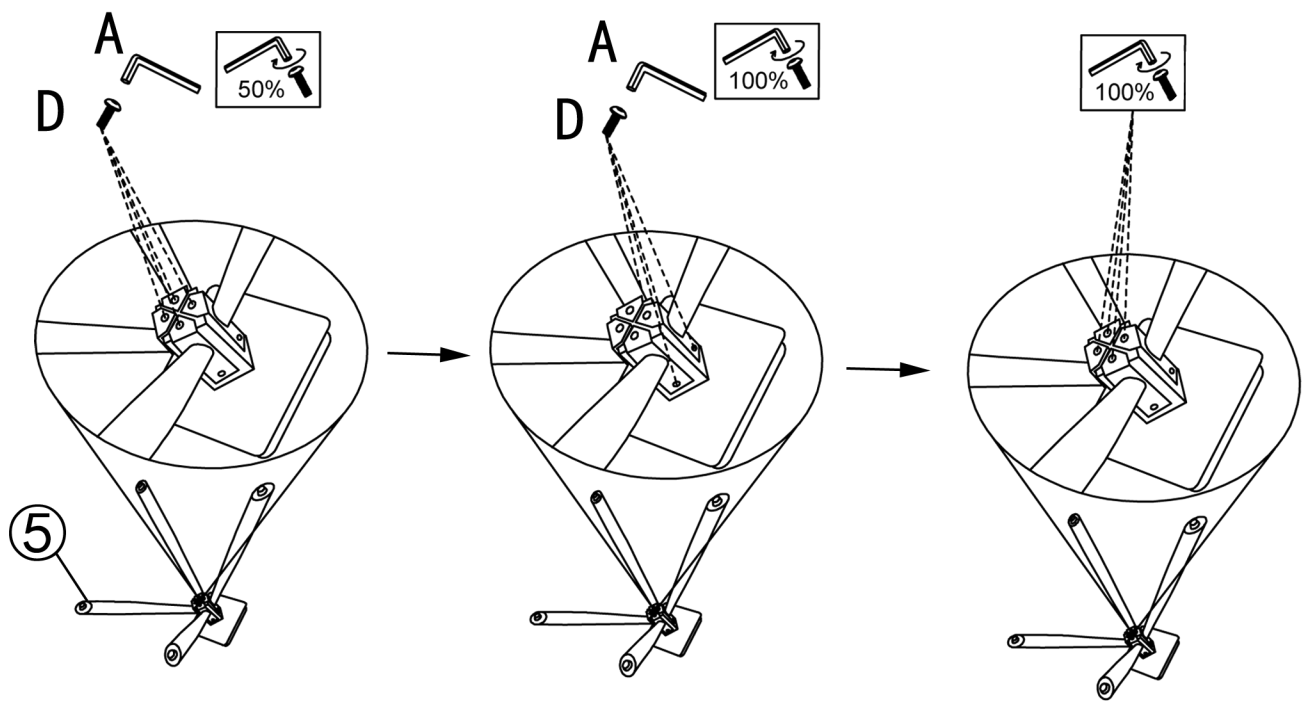
ASSEMBLY INSTRUCTIONS

 <p>① x 1</p>	 <p>④ x 1</p>	 <p>M8*50mm B X 2</p>	 <p>Ø22mm E X 2</p>	<p>1</p> 
 <p>② x 1</p>	 <p>⑤ x 4</p>	 <p>M6*10mm C X 4</p>	 <p>Ø18mm F X 8</p>	<p>2</p> 
 <p>③ x 1</p>	 <p>A X 1</p>	 <p>M6*16mm D X 12</p>		

3



4



5

