



# SPEC SHEET

## KoolMore 39 in. 5-Pan Countertop Ice Cream Display Freezer with Curved Glass Top in Stainless-Steel

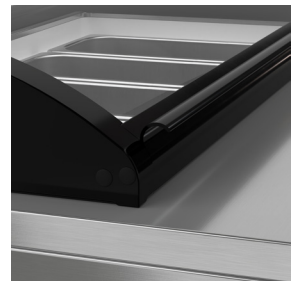
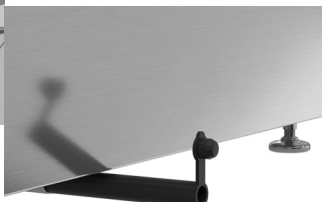
Model: KM-CGDR-5P

### FEATURES

- Stainless Steel and Double-Tempered Glass Construction.
- Static Cooling for Optimal Temperature Control: Maintains a temperature range of 7.6°F to 10.4°F, ideal for preserving ice cream texture and quality.
- Digital Temperature Control for Convenience.
- Curved Glass Display Cover for Visibility and Protection: Enhances hygiene while showcasing products attractively.
- Soft-Closing Cover for Durability: Prevents damage from slamming, extends unit and product life.
- Five ½ GN Pans for Serving Variety: Allows display and serving of multiple ice cream flavors.
- Stable Countertop Placement: Adjustable plastic feet for secure and flexible countertop setup.
- Easy Setup with Plug-and-Play Installation: Standard NEMA 5-15P plug, 94.5-inch cord for quick installation.
- ETL Certified and 1 Year Manufacturer's Warranty.



### CLOSE UP IMAGES



# TECHNICAL SPECS

## Dimensions

Length	38.38
Width	25.6
Height	14.6
Interior Depth	13.98
Interior Width	32.95
Interior Height	7.68
Power Cord Length	94.5

## Capacity

Weight Lbs	86
Gross Cubic Feet	2.93
Net Cubic Feet	0.88
Pan Capacity	5 1/2 GN Size

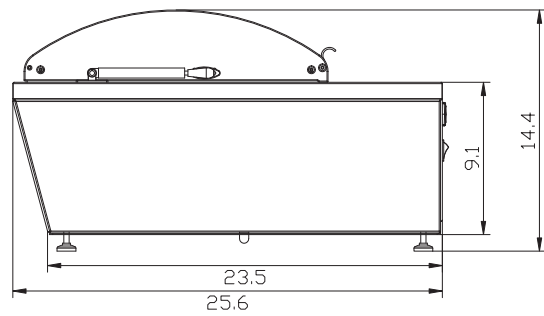
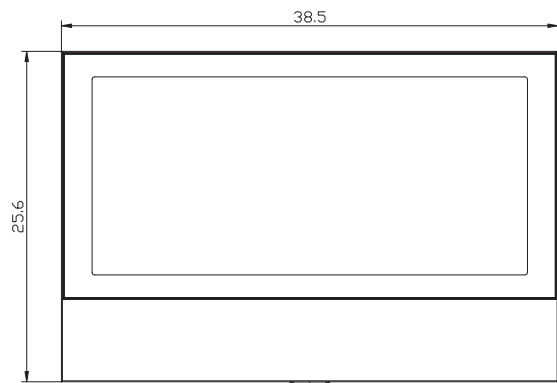
## Features & Materials

Door Style	Vertical Swing
Number of Doors	1
Defrost Type	Automatic
Refrigerant Type	R-290
Control Type	Digital
Ambient Temperature Range	60-90 F
Temperature Range	7.6-10.4 F
Glass Type	Double-tempered
Color Finish	Stainless-Steel and Black
Interior Color	White
Exterior Material	Stainless-Steel and Glass
Interior Material	Plastic Liner
Interior Lights	No

## Electric & Certifications

Amps	2.1
Hertz	60
Phase	1
Plug Type	NEMA 5-15P
Voltage	120
Wattage	150
Horsepower	0.25
Certifications	ETL Listed for Safety and Sanitation

# Plan View



## CERTIFICATIONS



706 Eastern Parkway STE 1G, Brooklyn NY 11213  
718-576-6342  
info@koolmore.com