

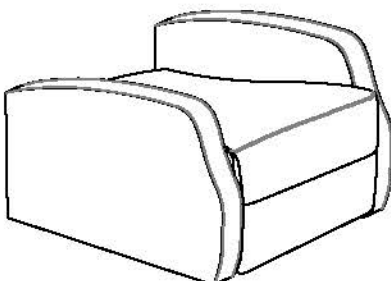
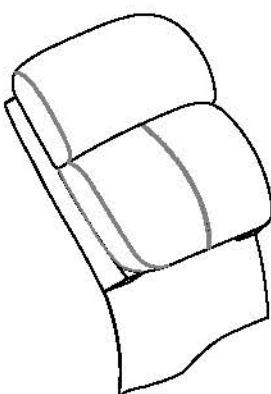


ASSEMBLY INSTRUCTIONS

PUSH BACK RECLINING CHAIR

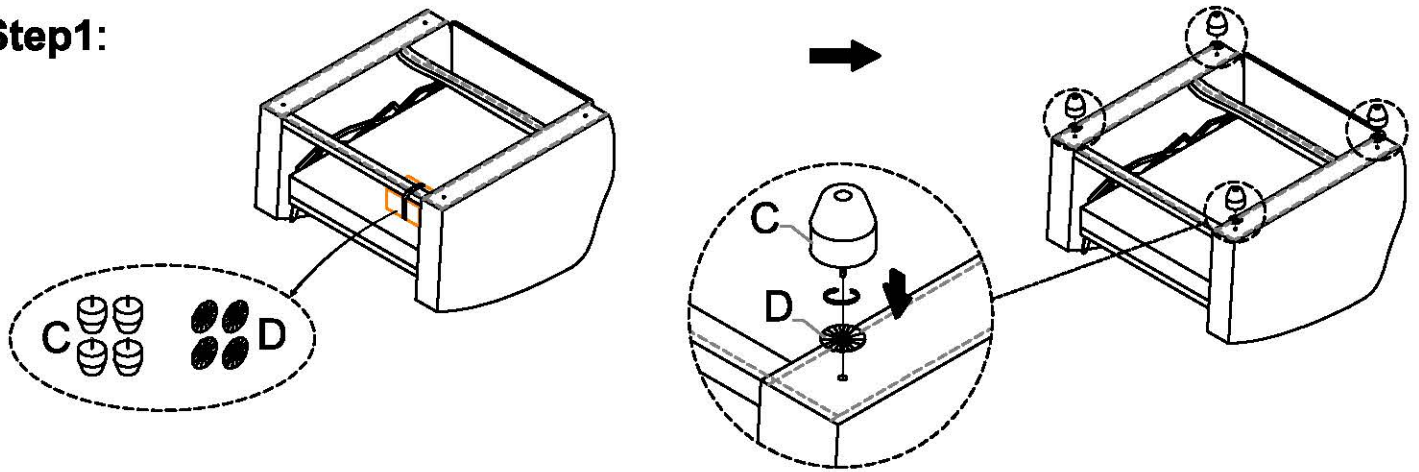
 Legs are stored under the bottom, please take out for assembly.

Note: Do not use power tools for assembly. Power tools increase the risk of over tightening which lead to splitting or cracking the wood.

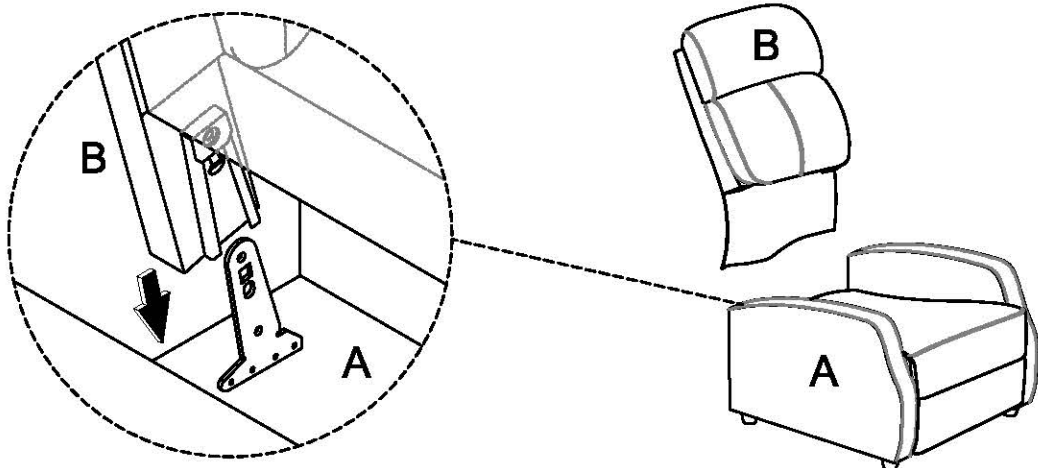
Component list

No	Drawing	Qty	Description
A		1	SEAT
B		1	BACK REST
C		4	PLASTIC LEGS
D		4	PLASTIC WASHER (Ø1.89")

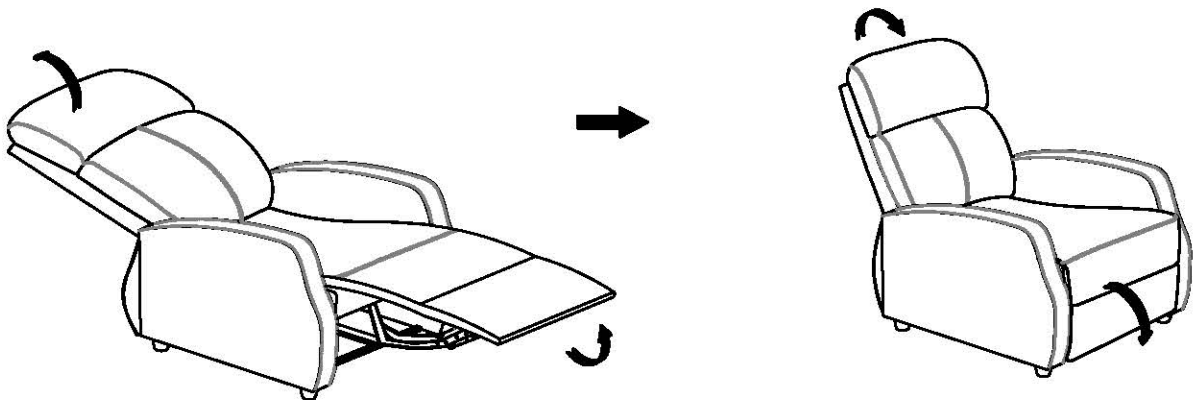
Step1:



Step2:



Step3:



Care Instruction for PU Match PVC Furniture:

In order to maintain the original appearance of your PU Match PVC Furniture, please follow below simple care procedures:

- Avoid exposing furniture directly to sunlight or heating and air conditioning outlets. Sunlight and or exposure to heating and air conditioning outlets will fade/damage PU Match PVC.
- Vacuum or wipe with a soft cloth to remove dust.
- Hardware may loosen over time. Periodically check to make sure all connections are tight. Re-tighten if necessary.



For items use on wooden floor, hard surfaces or carpets, it is recommended to Install protective pads under all legs and supports to avoid/prevent from damages/scratches and discoloration.