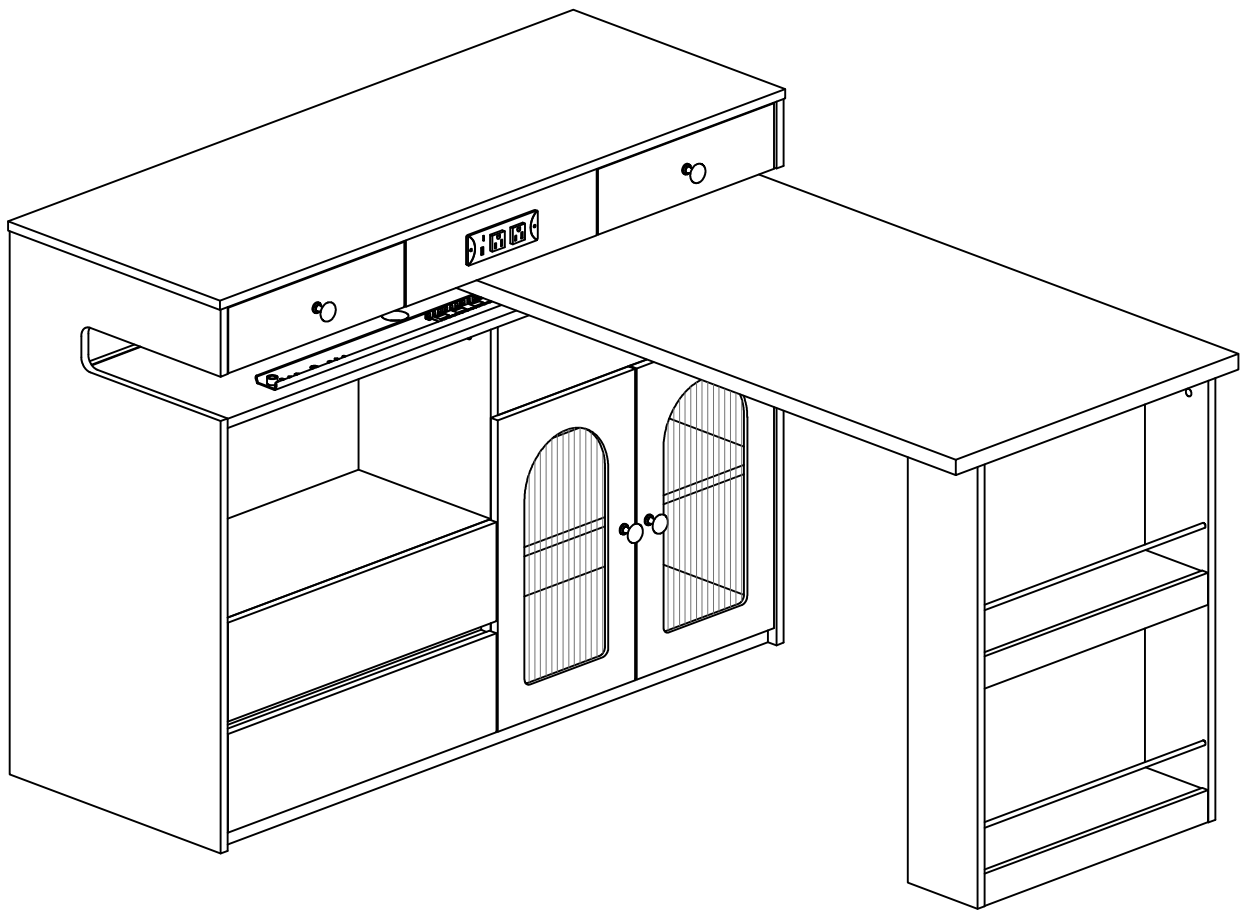
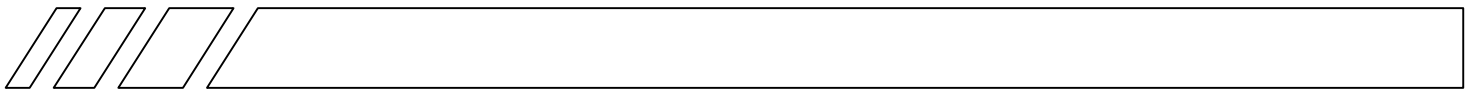
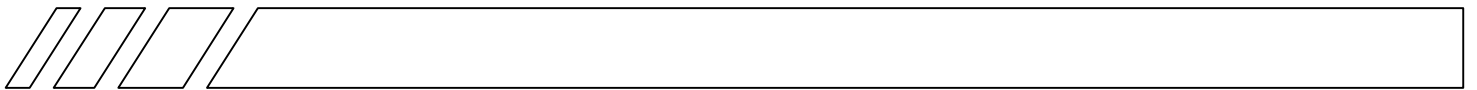


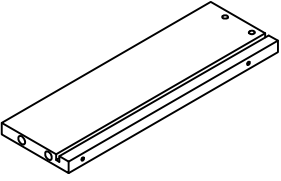
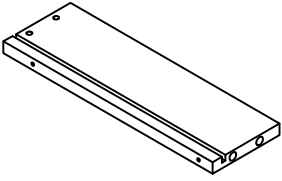
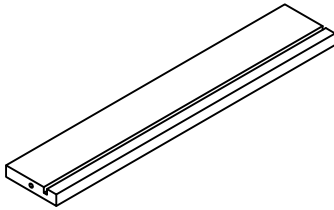
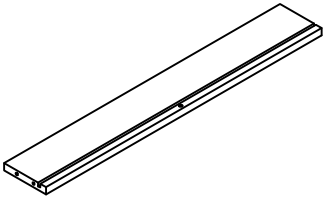
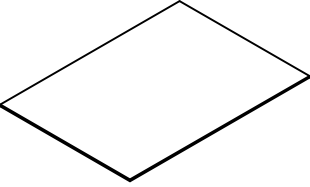
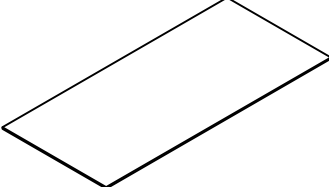
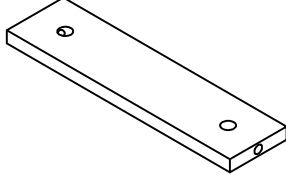
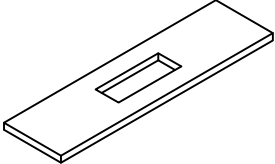
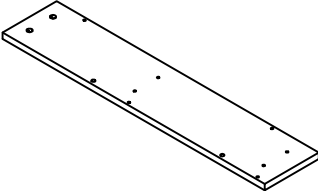
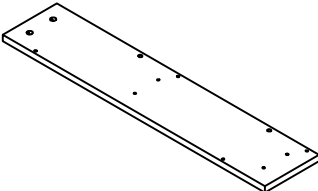
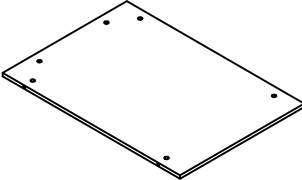
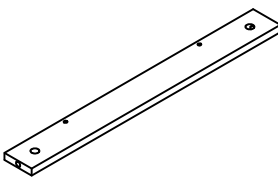
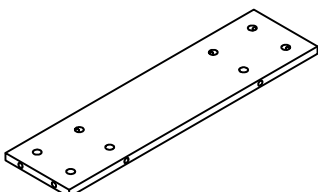
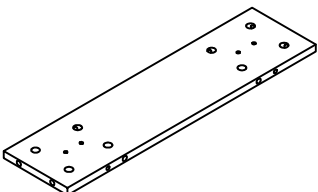
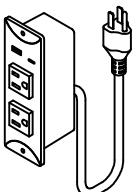
Installation & Assembly

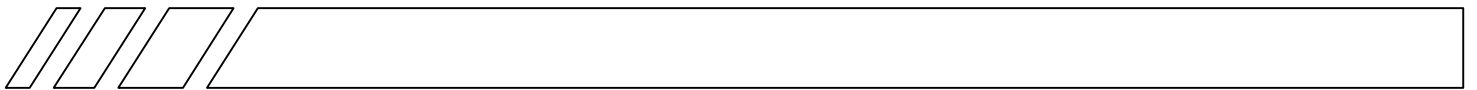



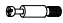


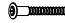

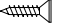
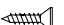













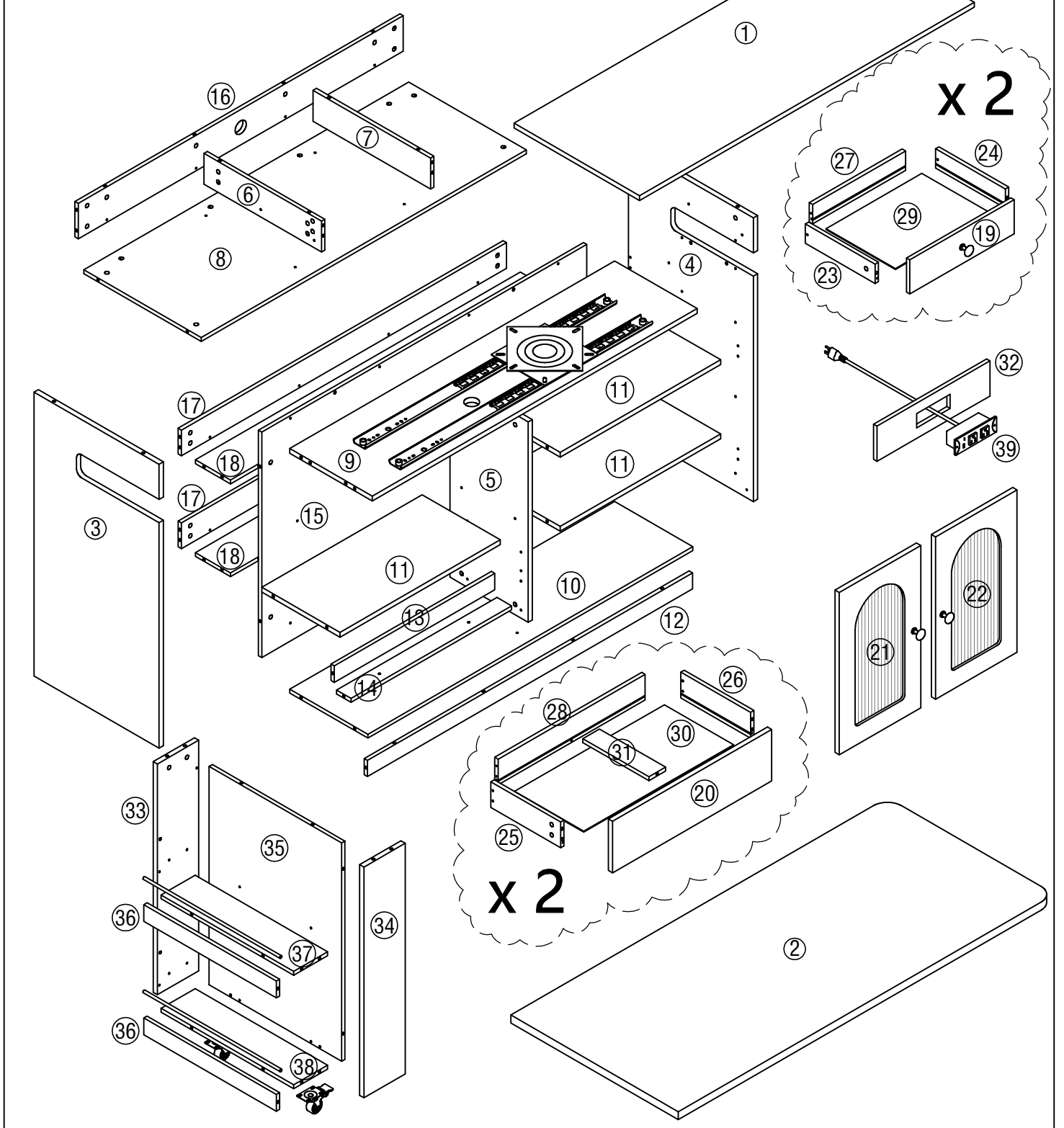
<p>①</p> <p>X1</p>	<p>②</p> <p>X1</p>	<p>③</p> <p>X1</p>	<p>④</p> <p>X1</p>
<p>⑤</p> <p>X1</p>	<p>⑥</p> <p>X1</p>	<p>⑦</p> <p>X1</p>	<p>⑧</p> <p>X1</p>
<p>⑨</p> <p>X1</p>	<p>⑩</p> <p>X1</p>	<p>⑪</p> <p>X3</p>	<p>⑫</p> <p>X1</p>
<p>⑬</p> <p>X1</p>	<p>⑭</p> <p>X1</p>	<p>⑮</p> <p>X1</p>	<p>⑯</p> <p>X1</p>
<p>⑰</p> <p>X2</p>	<p>⑱</p> <p>X2</p>	<p>⑲</p> <p>X2</p>	<p>⑳</p> <p>X2</p>
<p>㉑</p> <p>X1</p>	<p>㉒</p> <p>X1</p>	<p>㉓</p> <p>X2</p>	<p>㉔</p> <p>X2</p>



<p>25</p>  <p>X 2</p>	<p>26</p>  <p>X 2</p>	<p>27</p>  <p>X 2</p>	<p>28</p>  <p>X 2</p>
<p>29</p>  <p>X 2</p>	<p>30</p>  <p>X 2</p>	<p>31</p>  <p>X 2</p>	<p>32</p>  <p>X 1</p>
<p>33</p>  <p>X 1</p>	<p>34</p>  <p>X 1</p>	<p>35</p>  <p>X 1</p>	<p>36</p>  <p>X 2</p>
<p>37</p>  <p>X 1</p>	<p>38</p>  <p>X 1</p>	<p>39</p>  <p>X 1</p>	

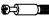


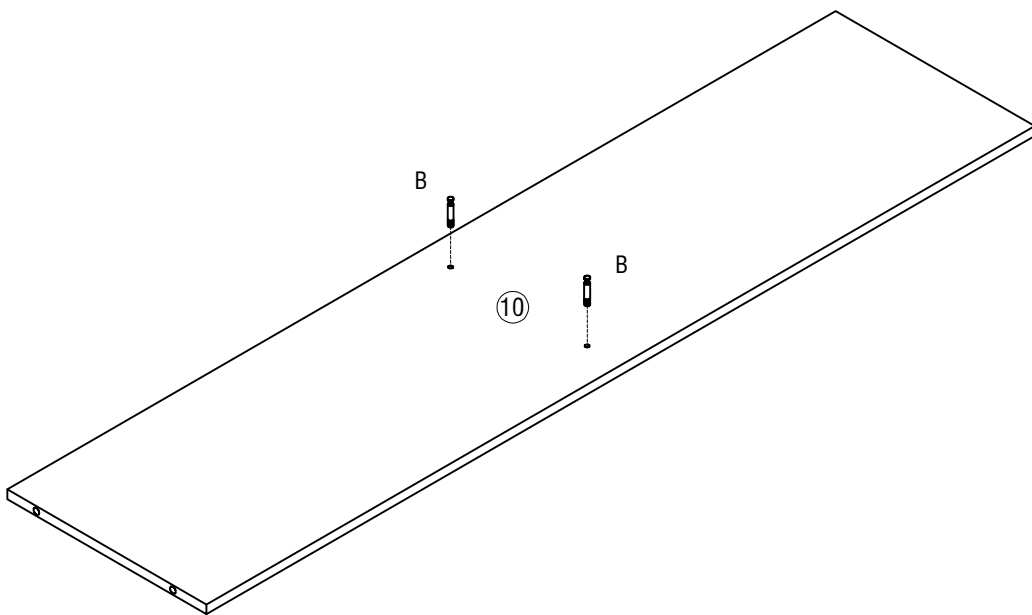
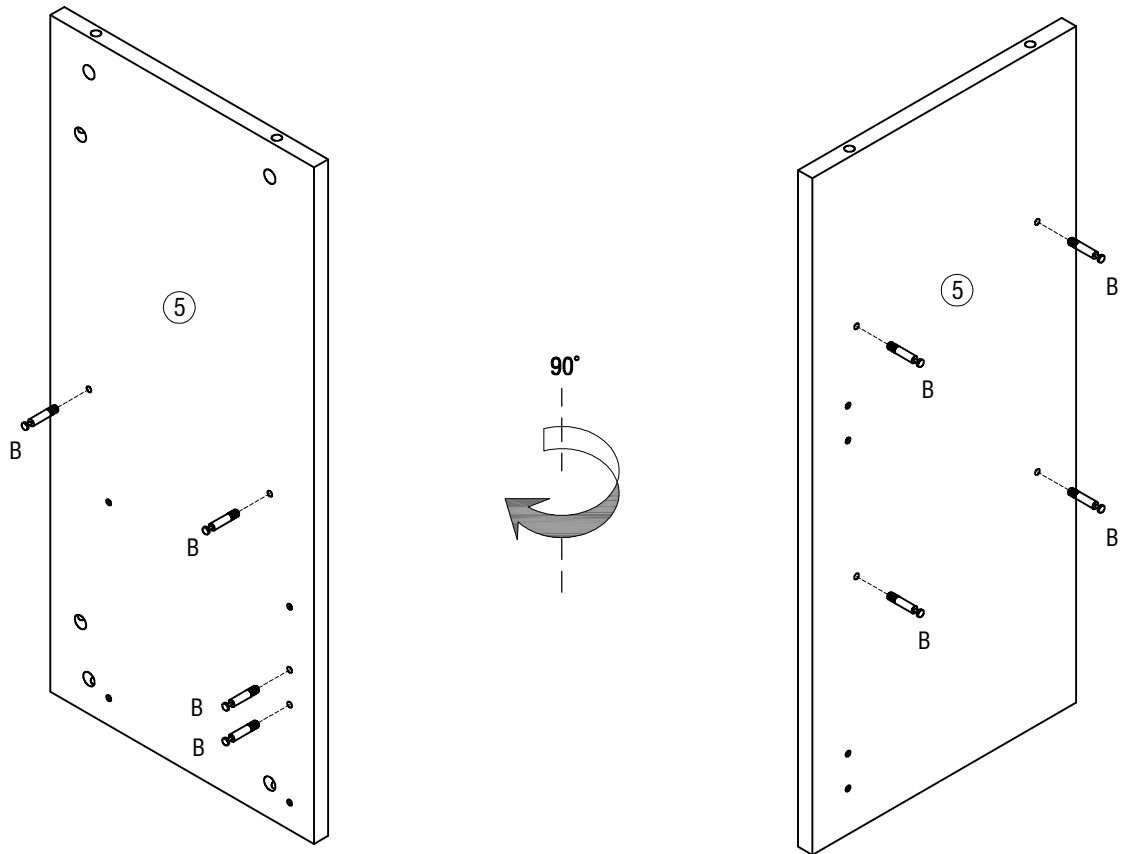
A	$\varnothing 12 \times 10$  X 164	B	$\varnothing 7 \times 40$  X 164	C	$\varnothing 6 \times 40$  X 2	D	$\varnothing 8 \times 40$  X 6	E	M5*40  X 14	F	M6*15  X 4	G	M3*12  X 34
H	M4*14  X 30	J	 X 2	K	 X 2	L	10°  X 4	M	900mm  X 1	N	 X 4	P	M4*16  X 2
Q	M4*18  X 2	R	$\varnothing 8 \times 490\text{mm}$  X 2	S	H=60mm  X 2	T	$\varnothing 12 \times 1$  X 8	U	 X 12				



Installation Steps

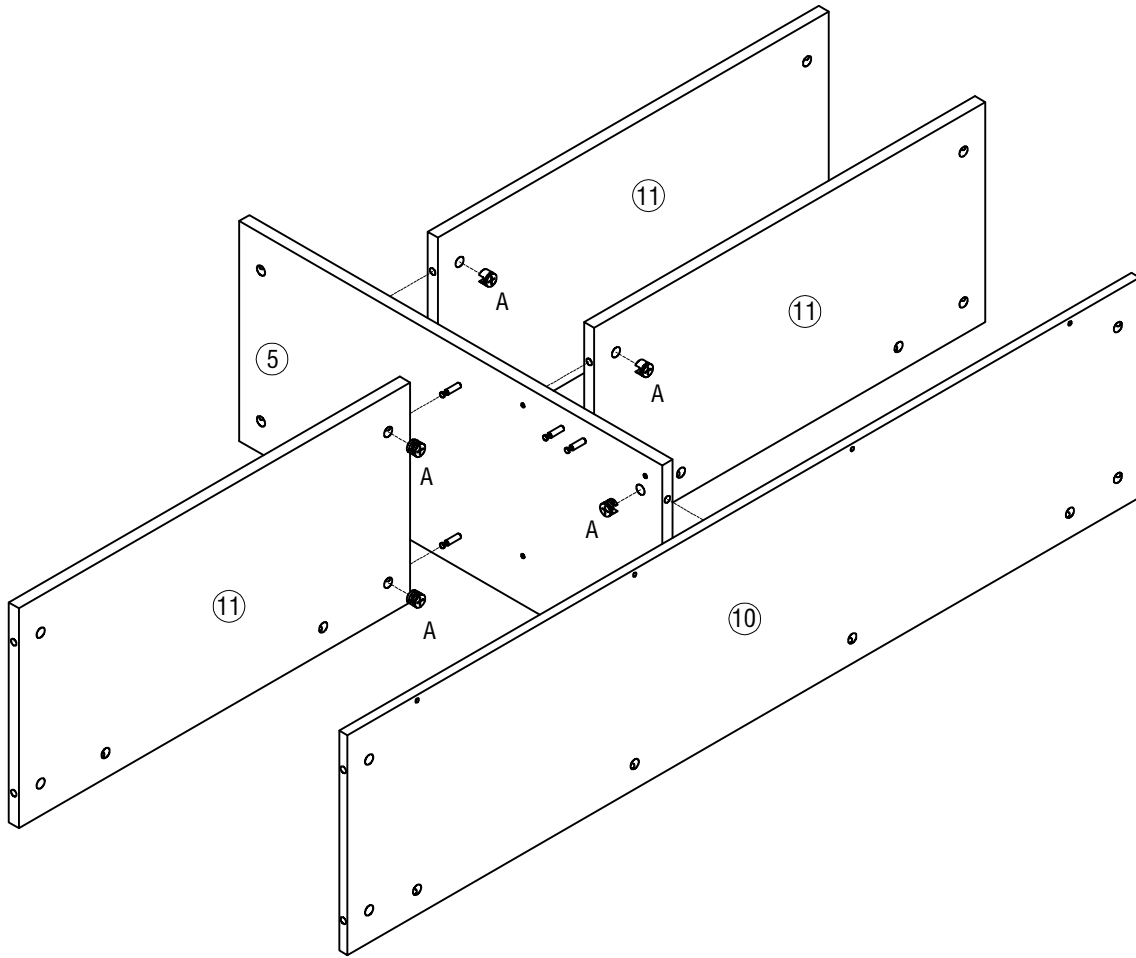
1 ▶


B $\varnothing 7 \times 40$

X 10



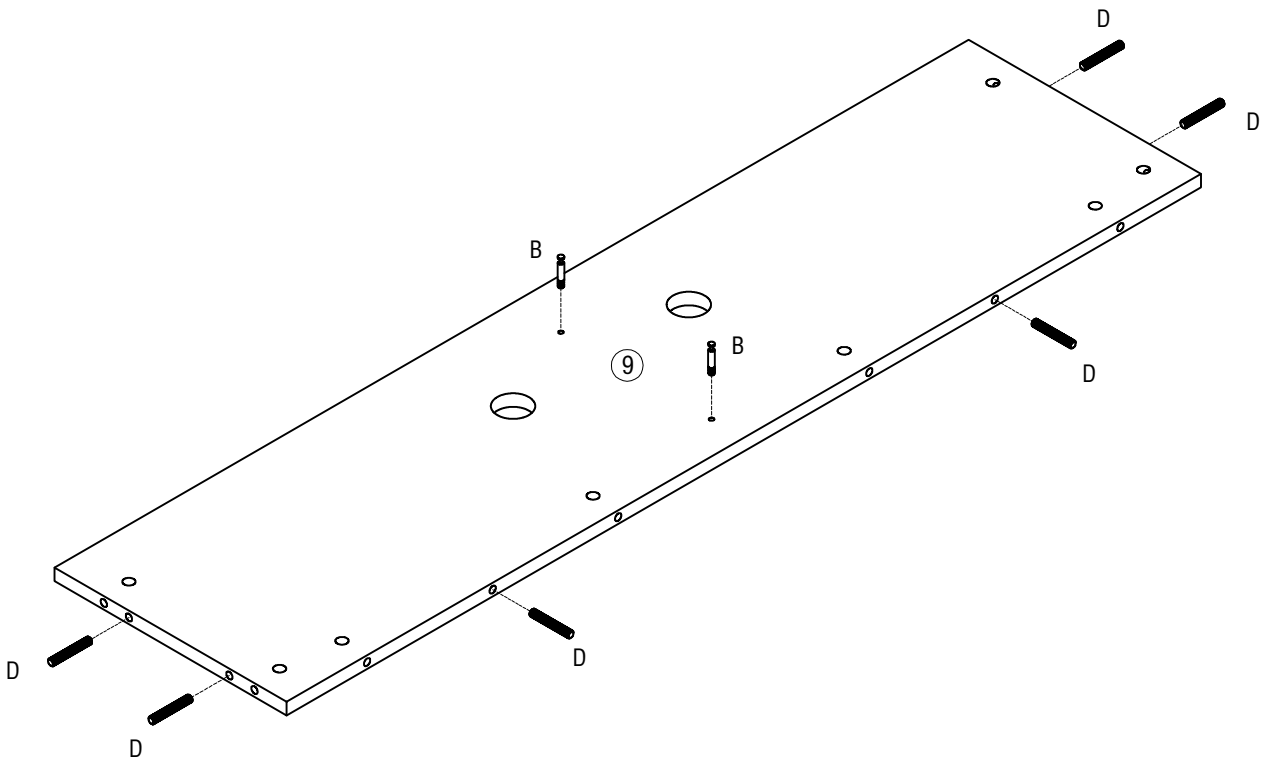
Installation Steps

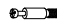
2 ▶




A $\phi 12 \times 10$

X 8

3 ▶


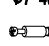


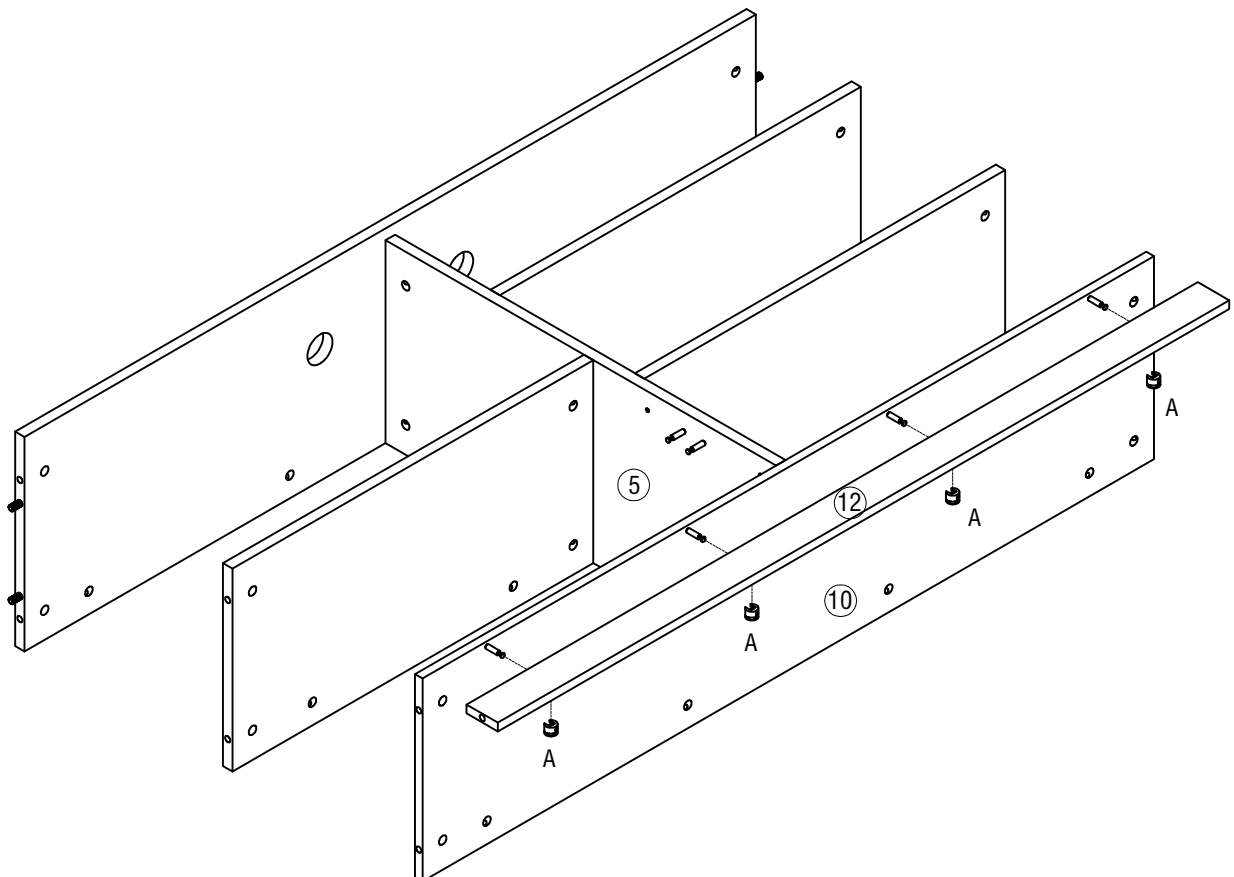
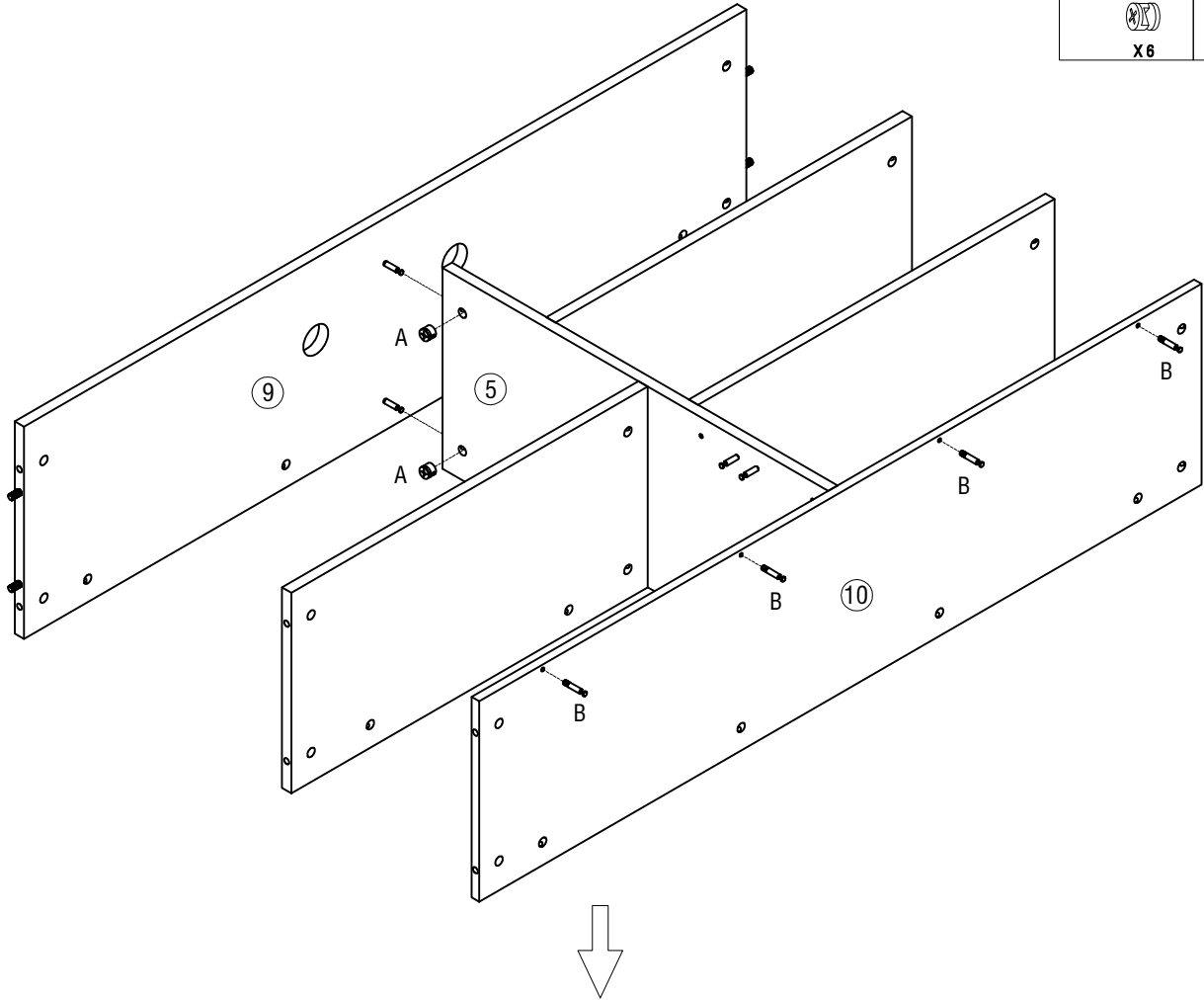
B $\phi 7 \times 40$

X 2

D $\phi 8 \times 40$

X 6

Installation Steps


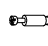
4 ▶

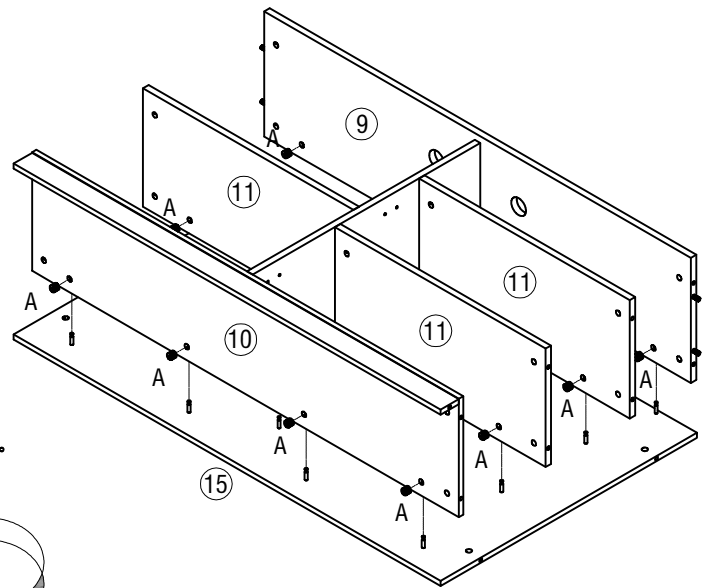
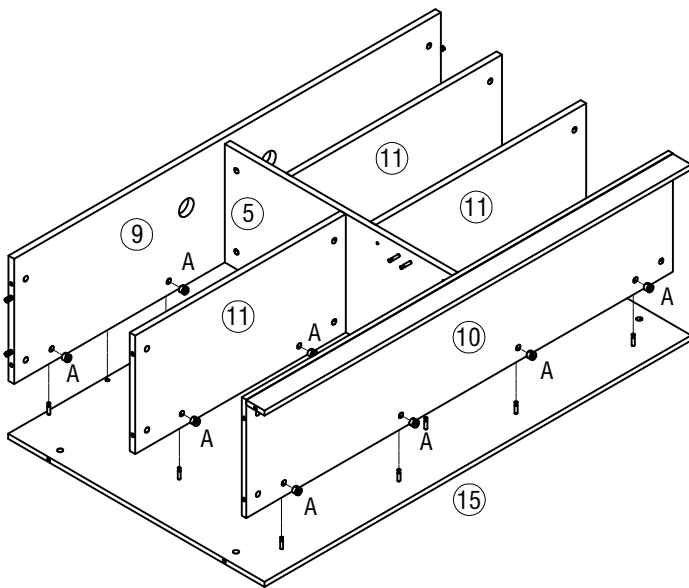
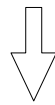
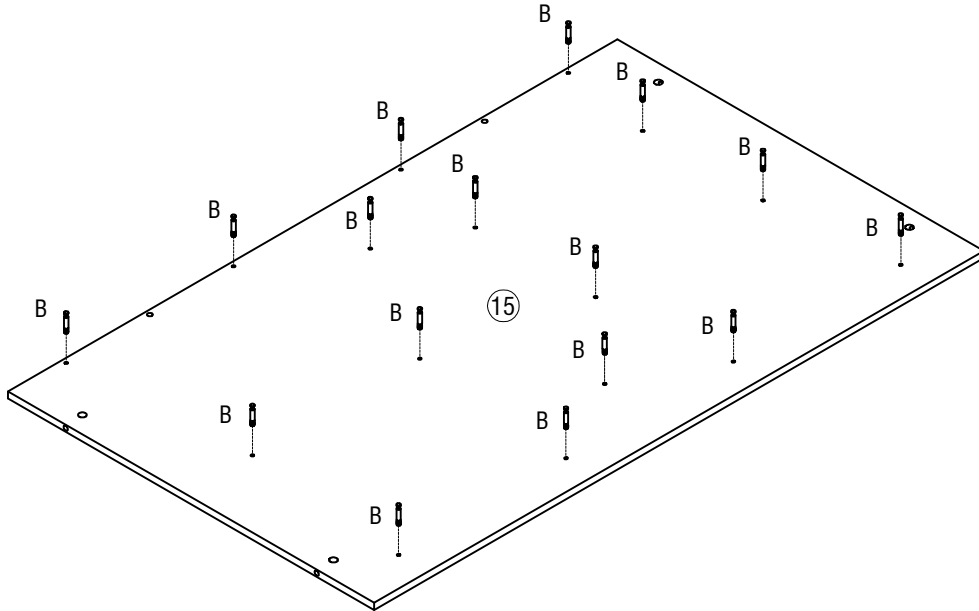
A $\varnothing 12 \times 10$  X 6	B $\varnothing 7 \times 40$  X 4
---	--



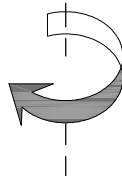
Installation Steps

5 ▶

A $\phi 12 \times 10$  X 16	B $\phi 7 \times 40$  X 16
---	--

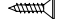



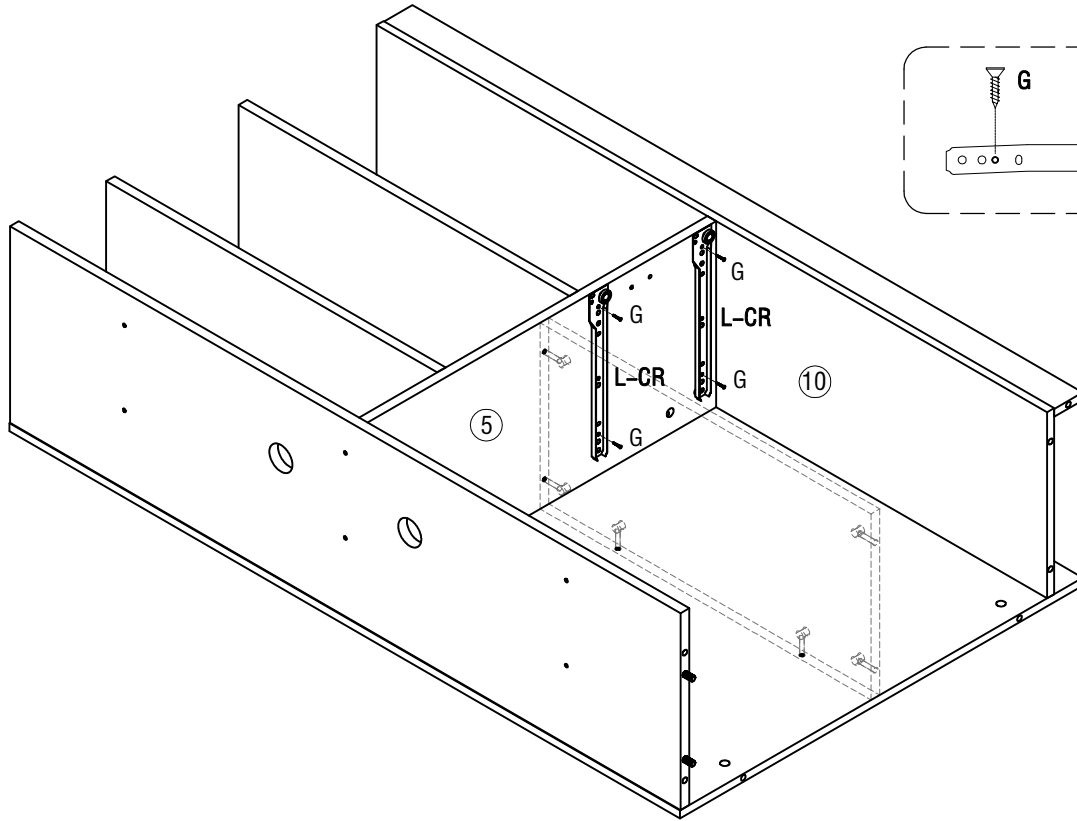
90°



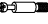


Installation Steps

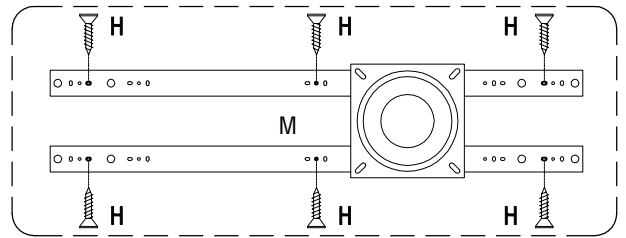
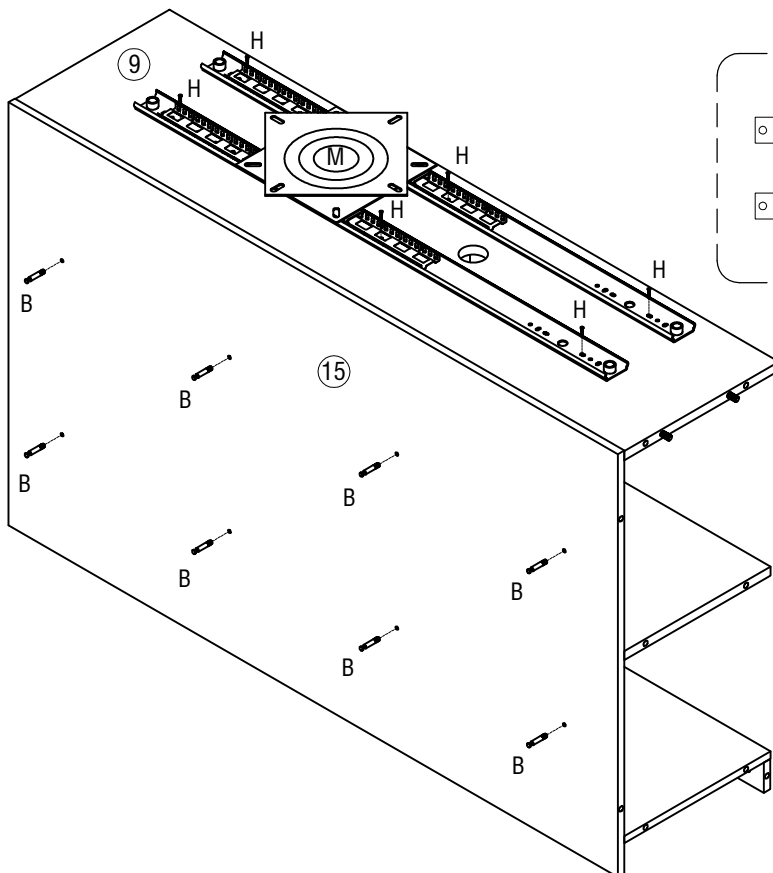
6 ▶

G	M3*12	L	10°
			
	X4		X2




7 ▶

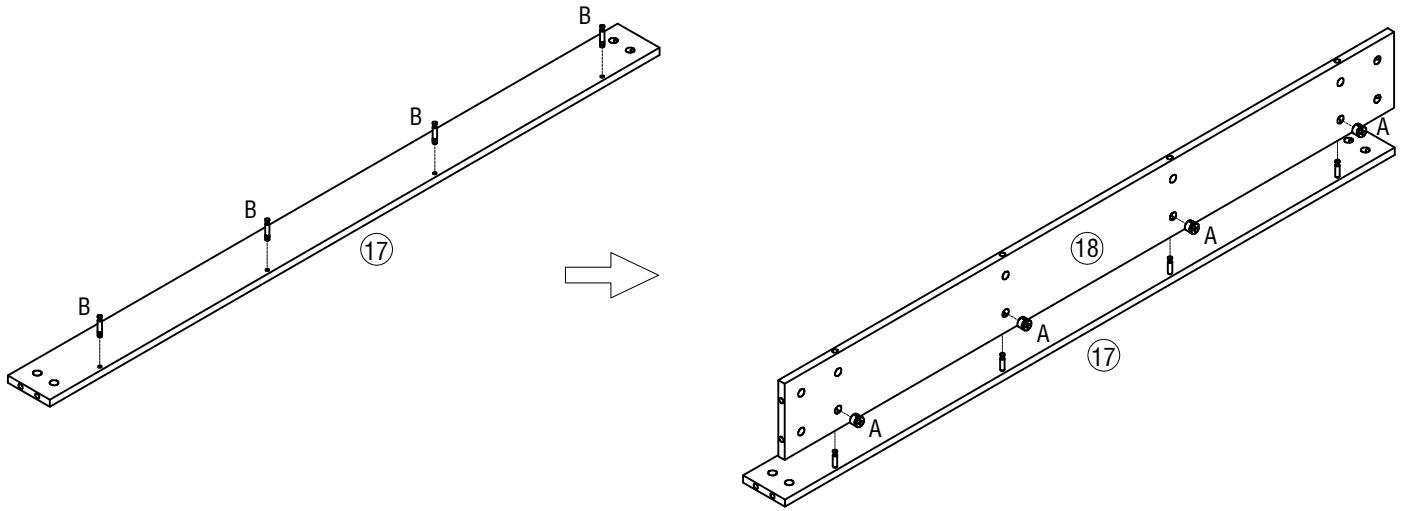
B	Ø7*40	H	M4*14	M	900mm
					
	X8		X6		X1



Installation Steps


8 ▶

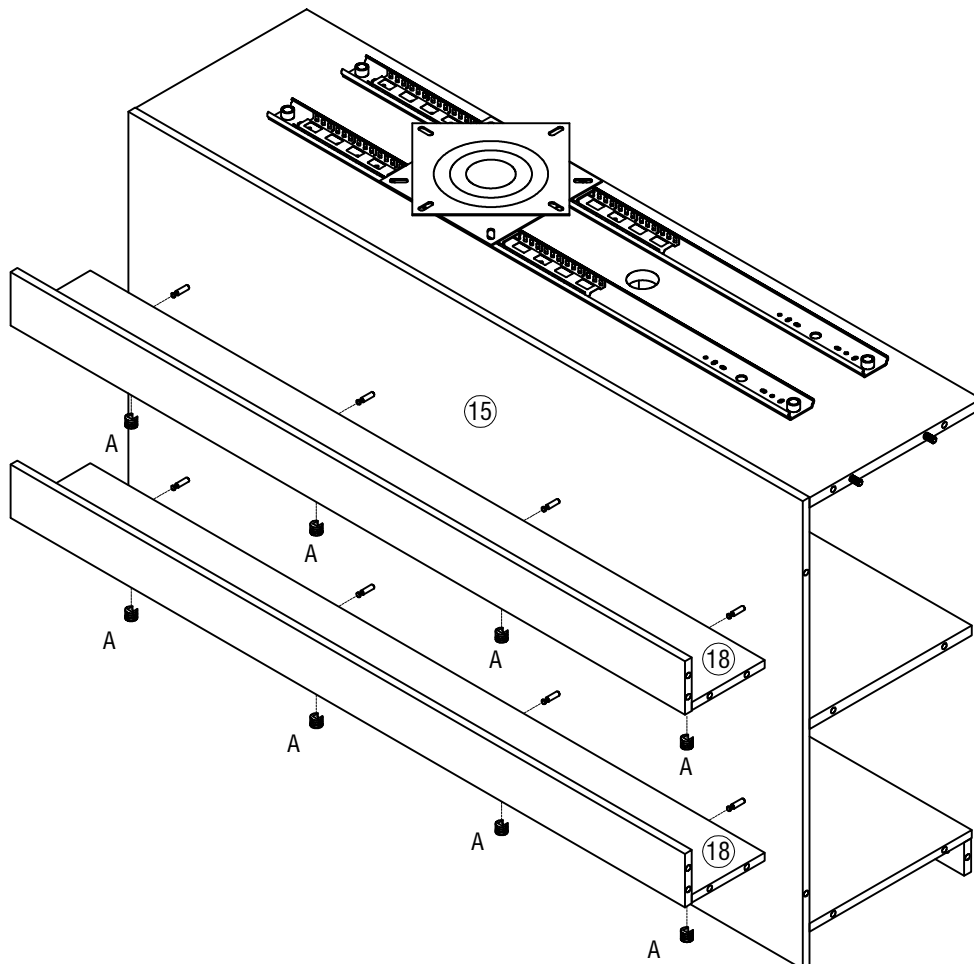
A $\phi 12 \times 10$  X 8	B $\phi 7 \times 40$  X 8
--	---



x 2



9 ▶

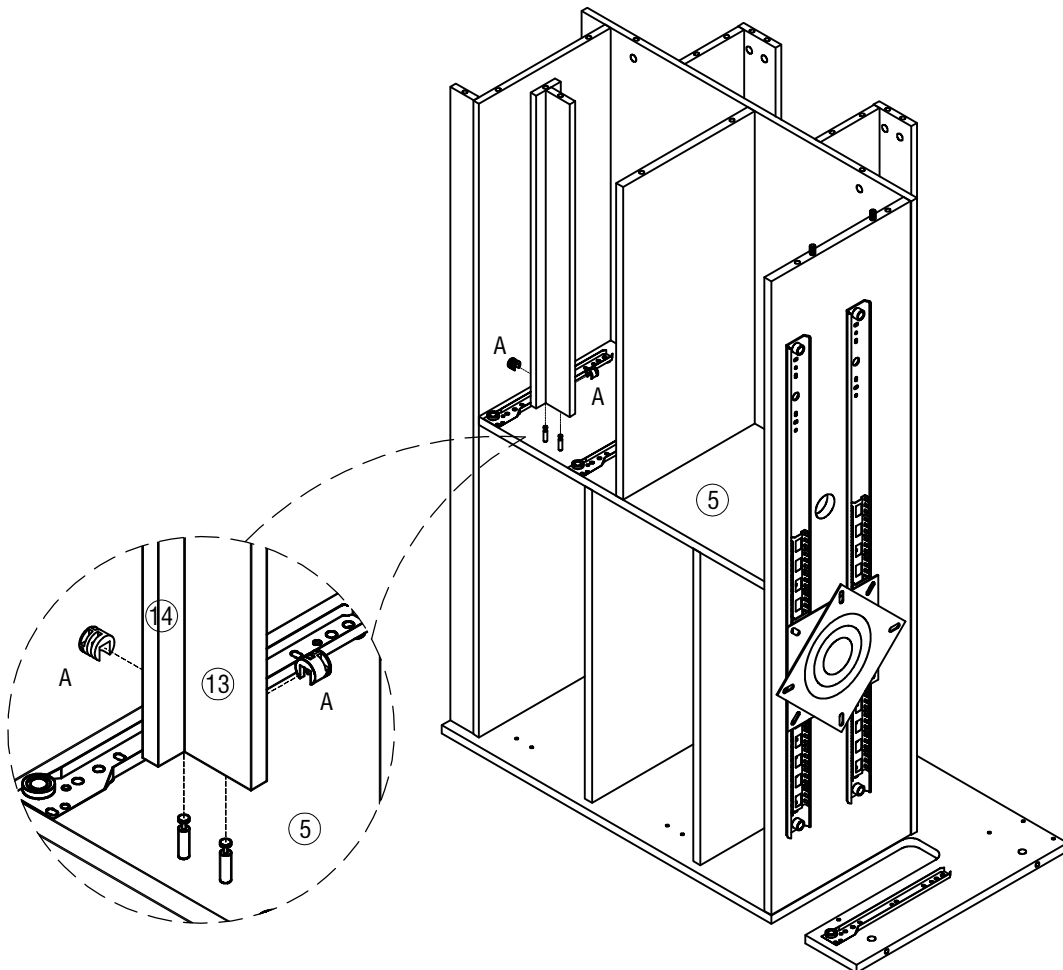
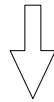
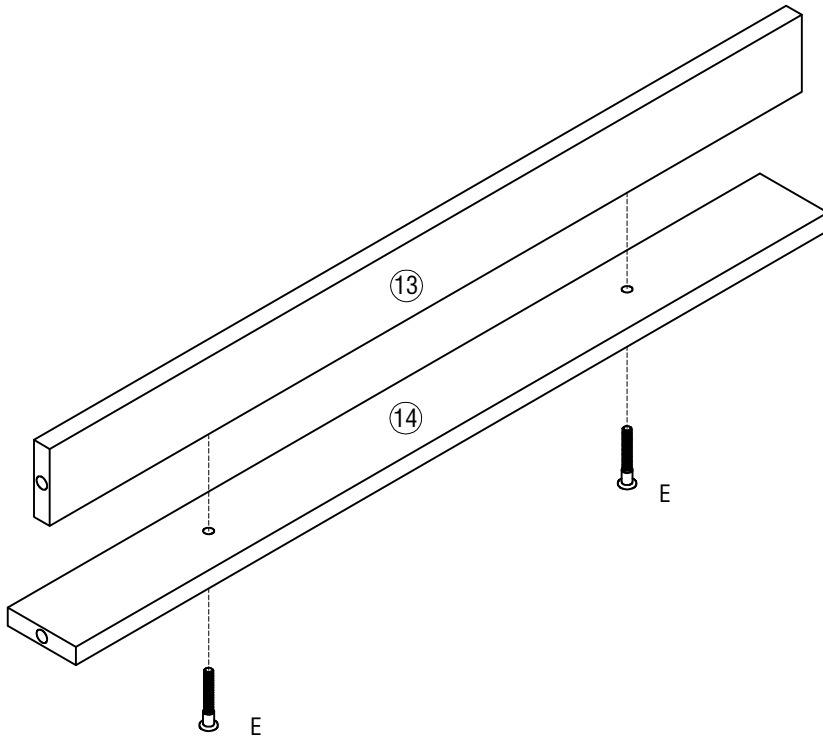
A $\phi 12 \times 10$  X 8
--



Installation Steps


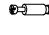
12 ▶

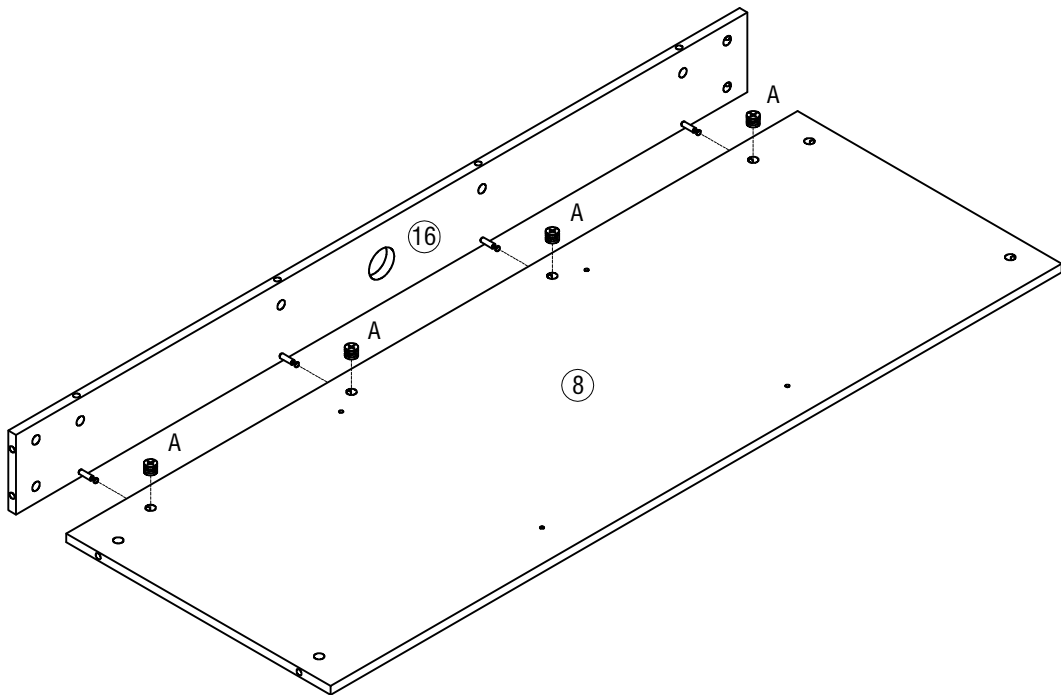
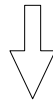
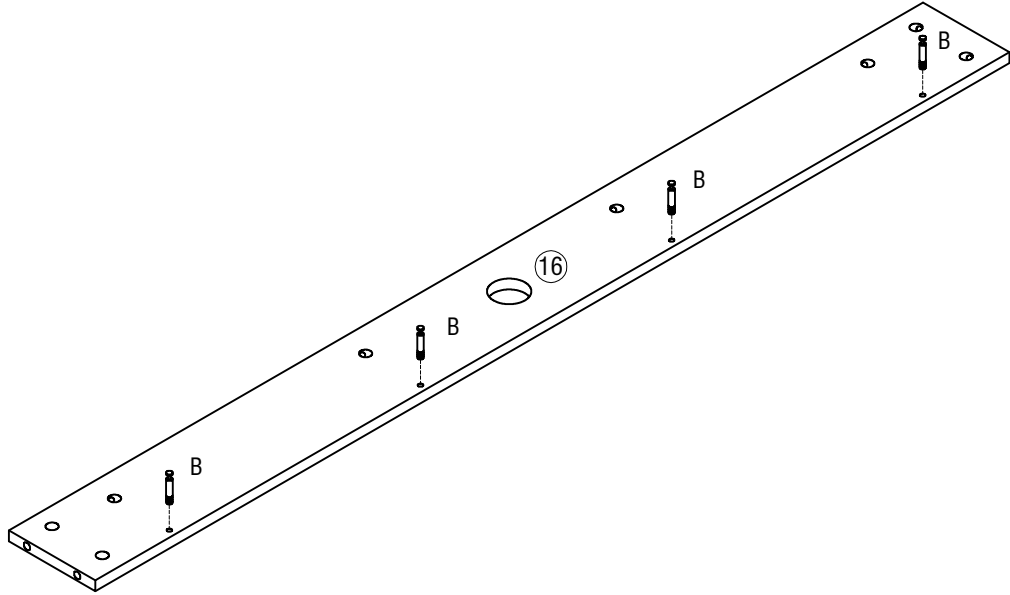
A	∅12*10	E	M5*40
			
	X2		X2



Installation Steps


13 ▶

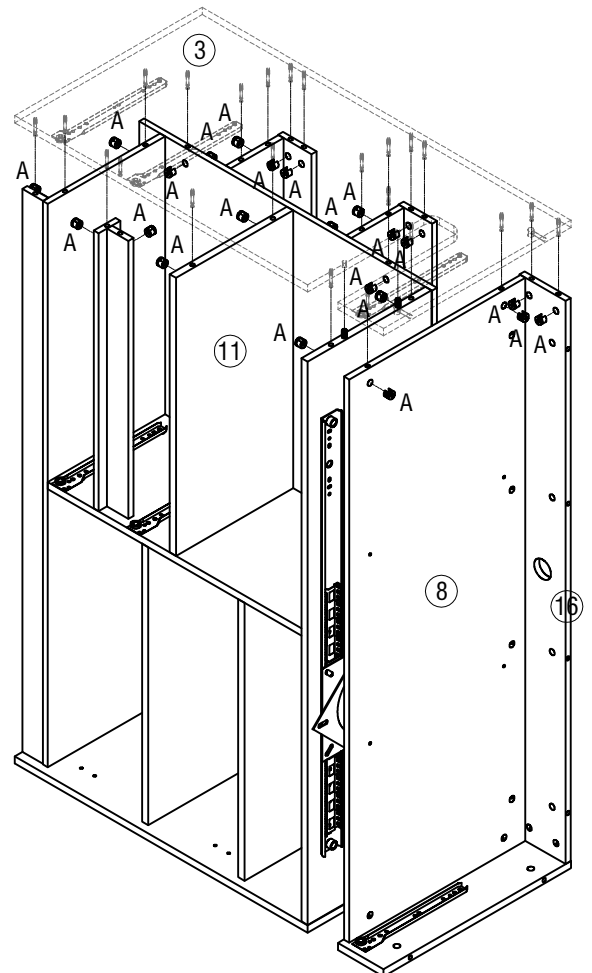
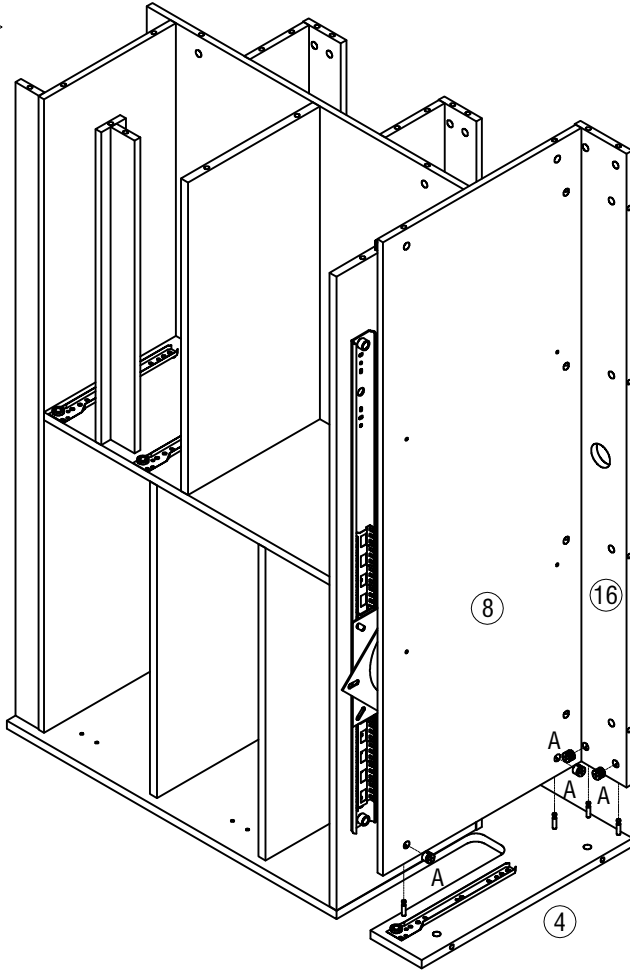
A $\varnothing 12 \times 10$	B $\varnothing 7 \times 40$
	
X4	X4



Installation Steps

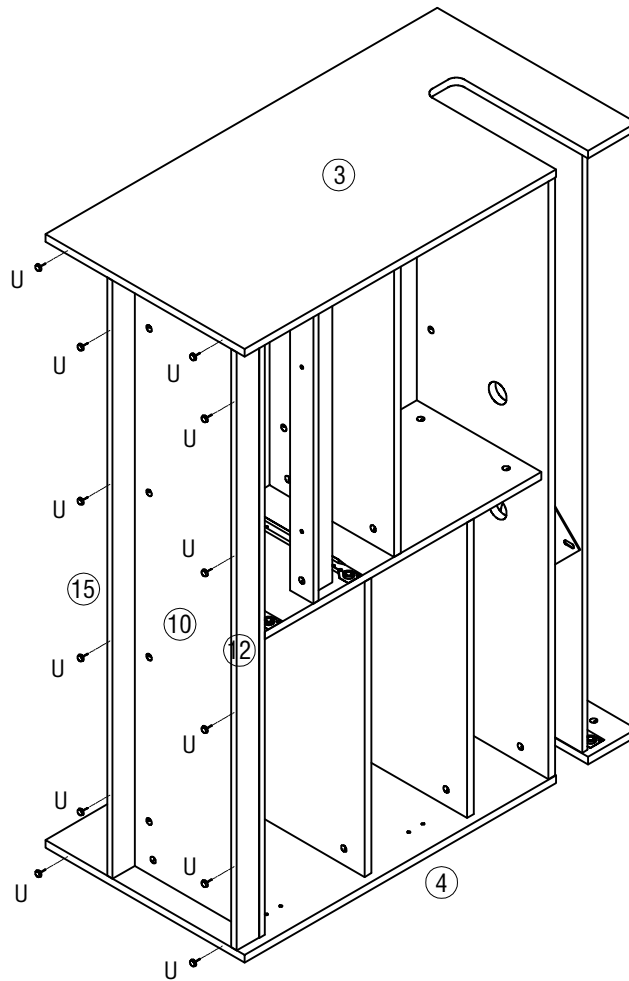
14 ▶


A $\phi 12 \times 10$

X27



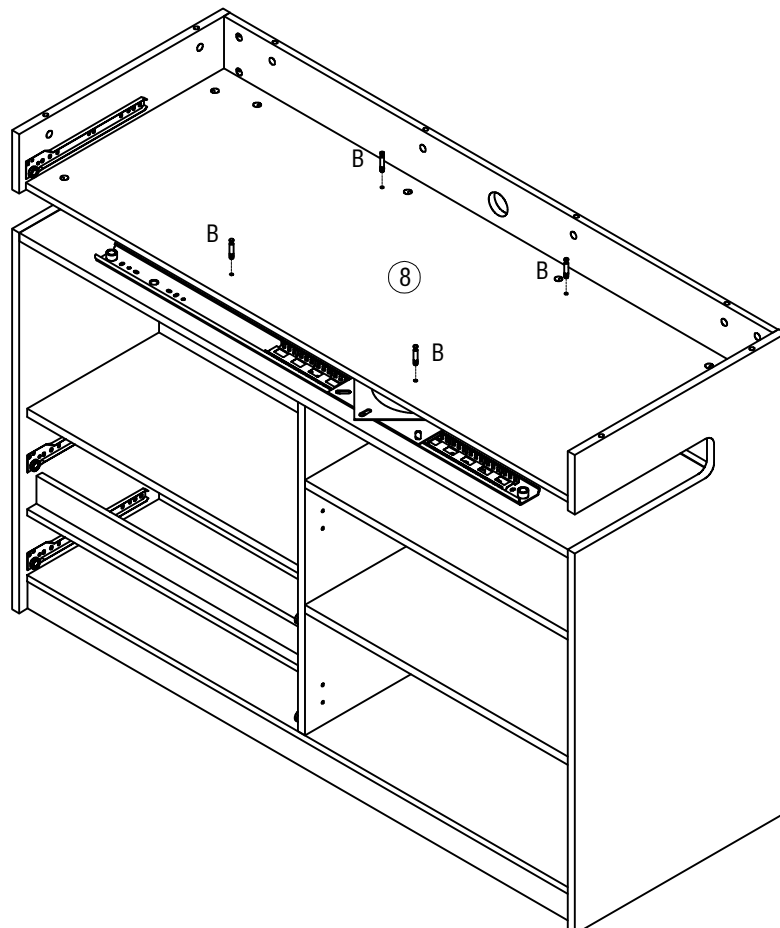
Installation Steps

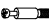
15 ▷



U

X12

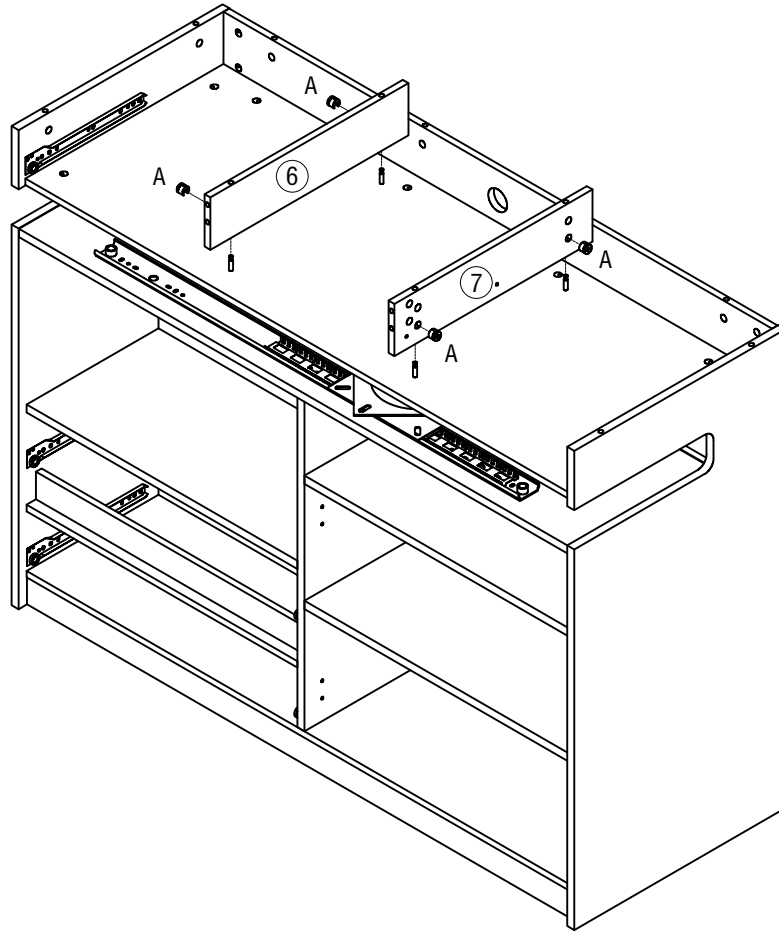
16 ▷




B $\varnothing 7 \times 40$

X4

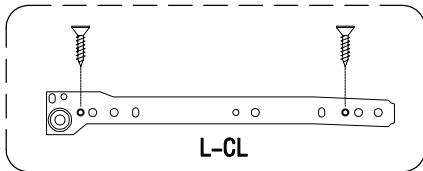
Installation Steps

17 ▶

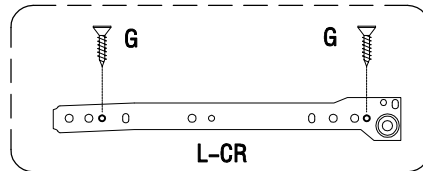


A $\phi 12 \times 10$

X 4

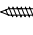

18 ▶

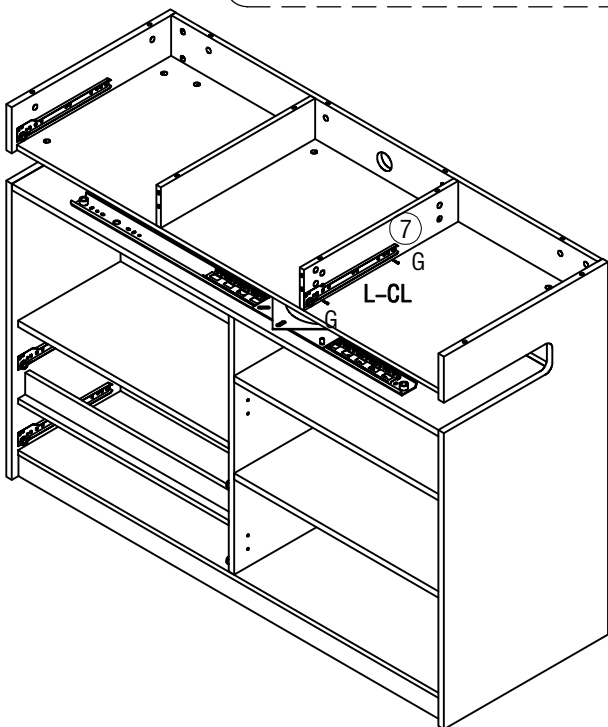


L-CL

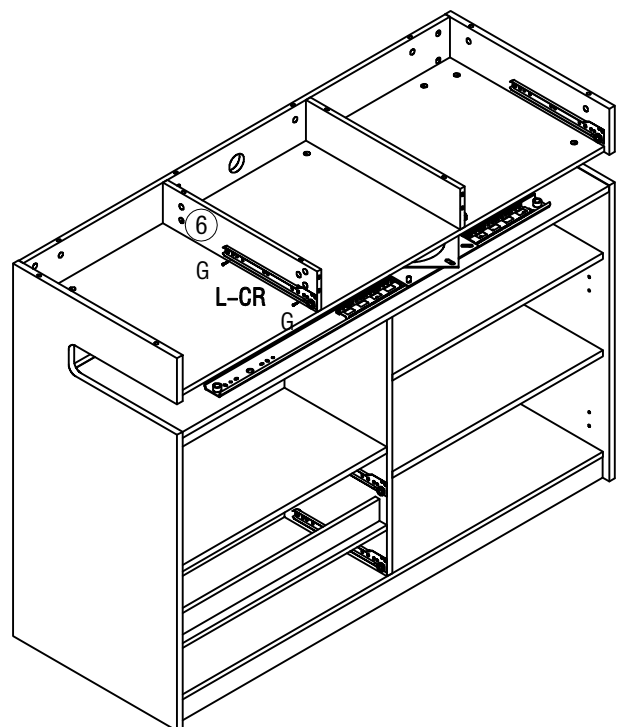


L-CR

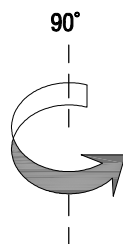
G M3*12 X 4

L 10" X 2




L-CL


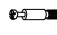


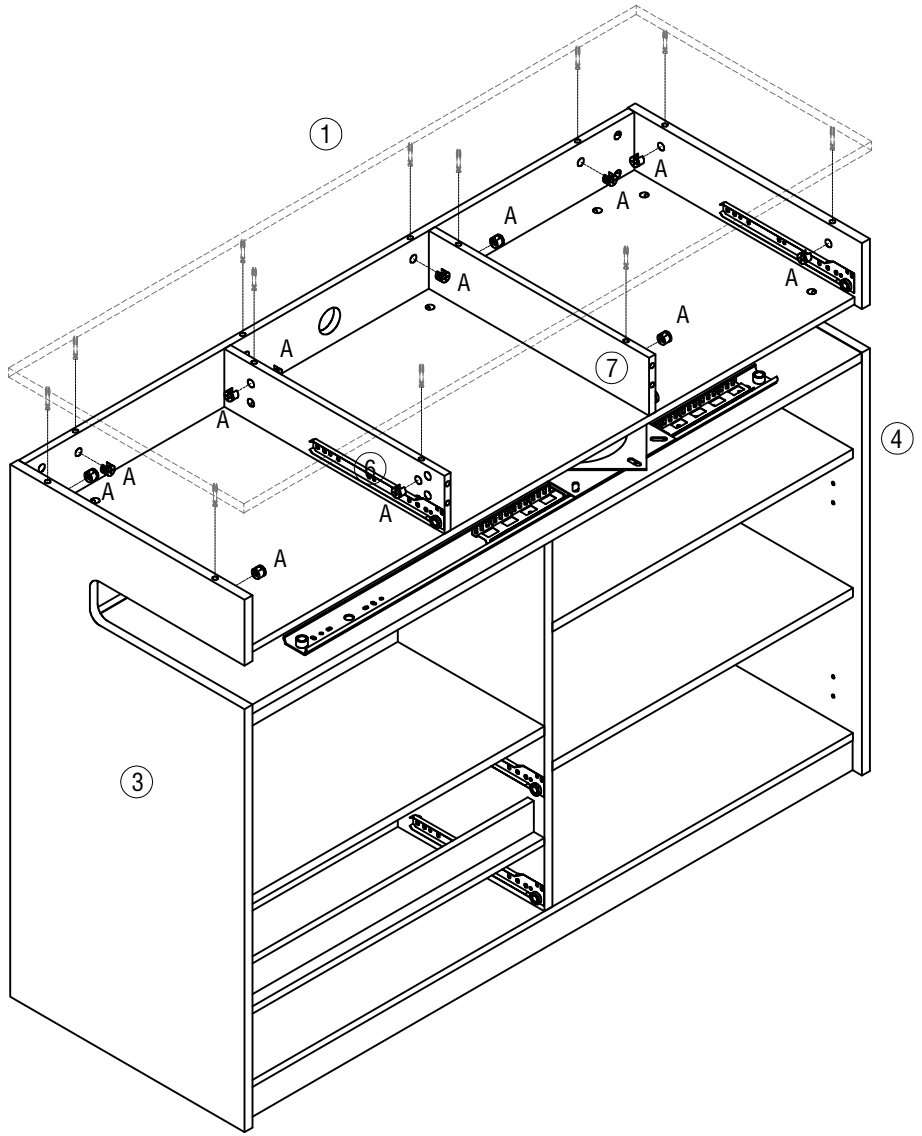
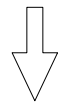
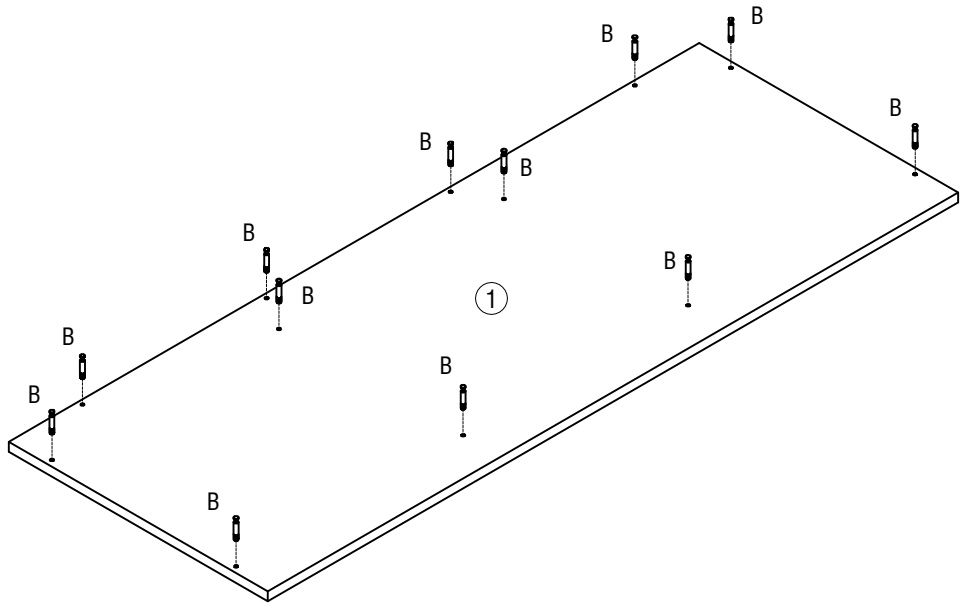
L-CR



Installation Steps

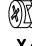
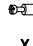

19 ▶

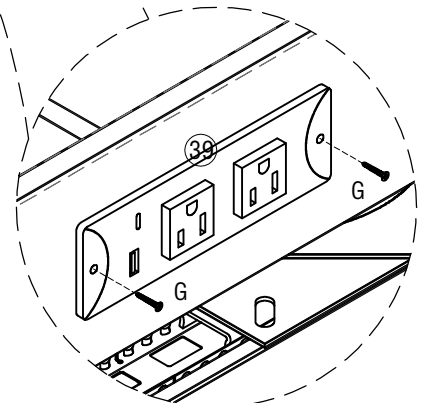
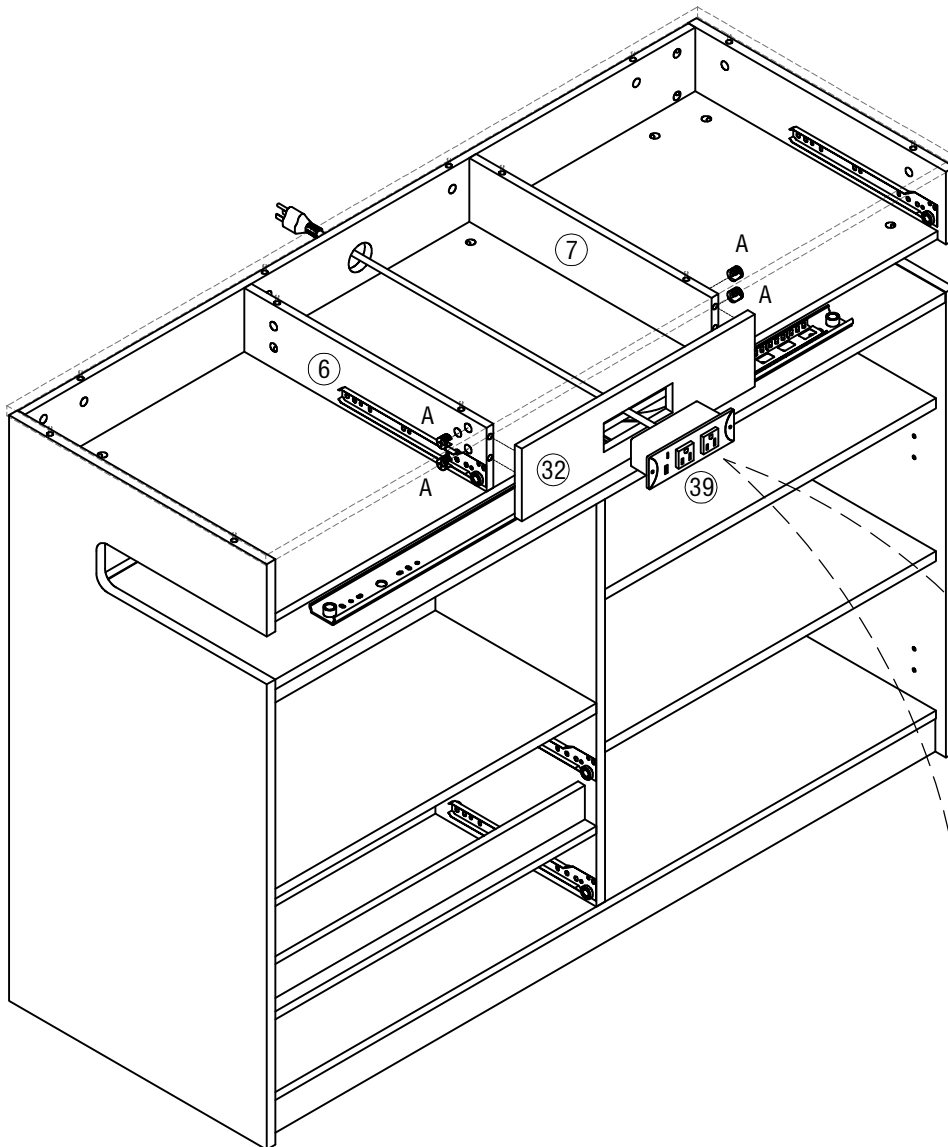
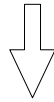
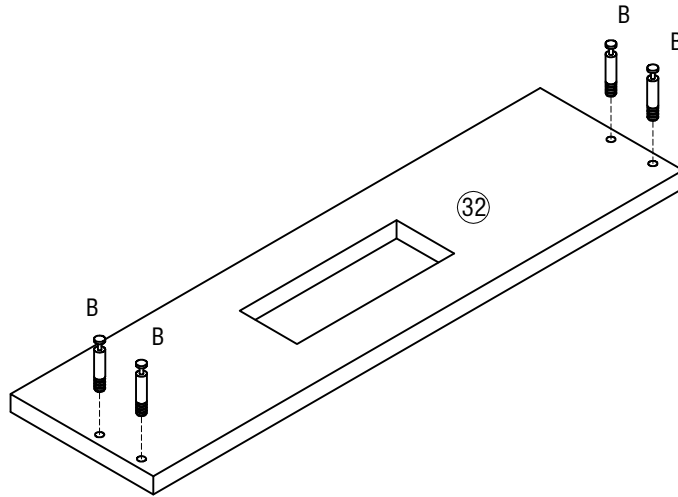
A	∅12*10	B	∅7*40
			
	X12		X12



Installation Steps


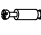
20 ▶

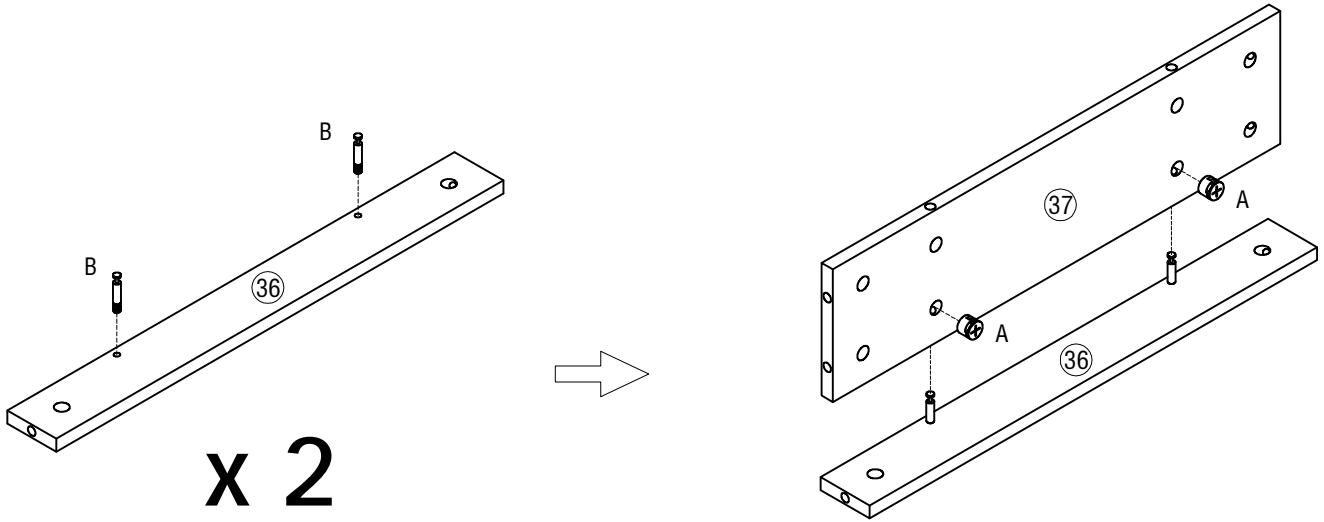
A	∅12*10	B	∅7*40	G	M3*12
					
	X4		X4		X2








Installation Steps

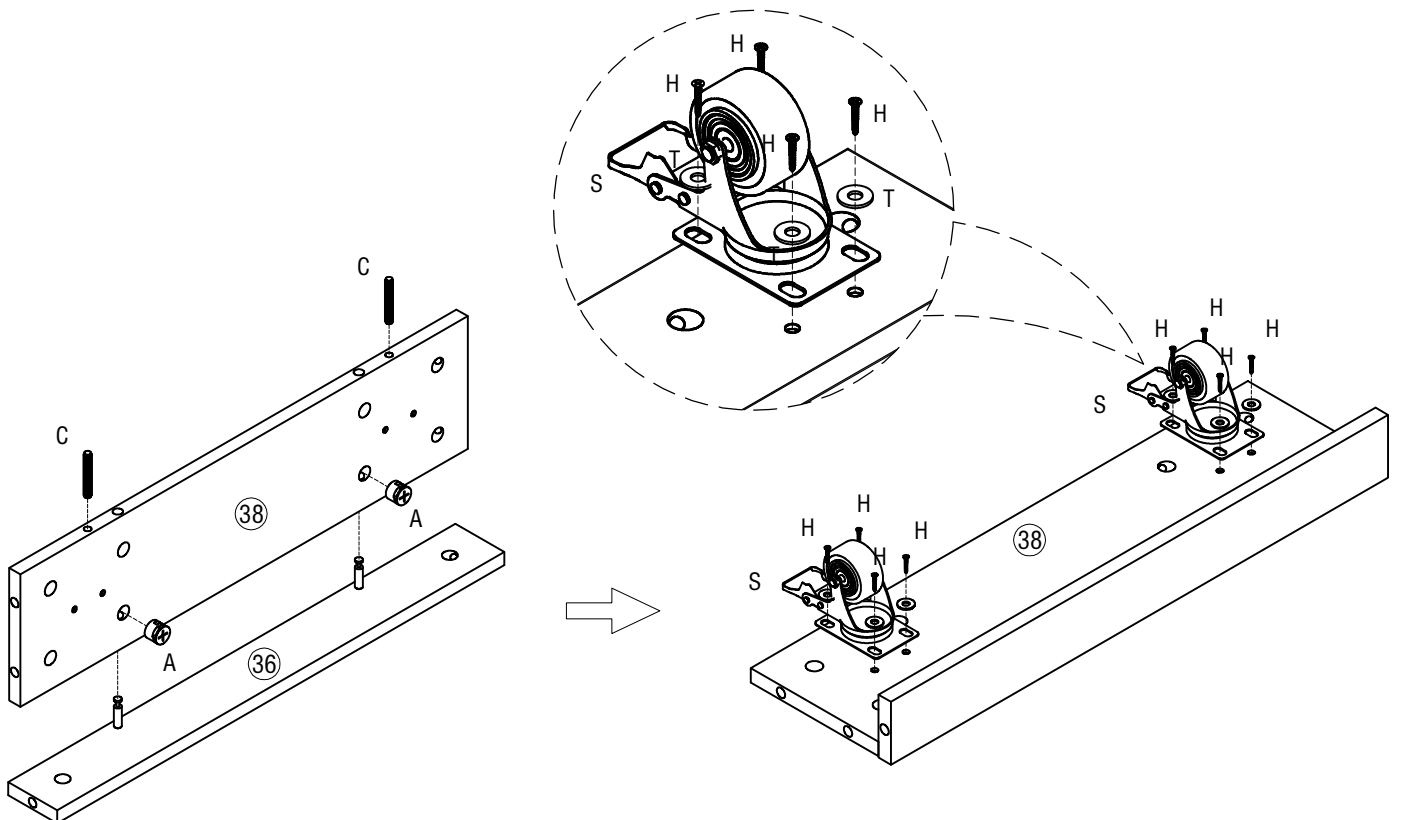
21 ▶

A	$\phi 12 \times 10$	B	$\phi 7 \times 40$
			
X2		X4	




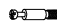
22 ▶

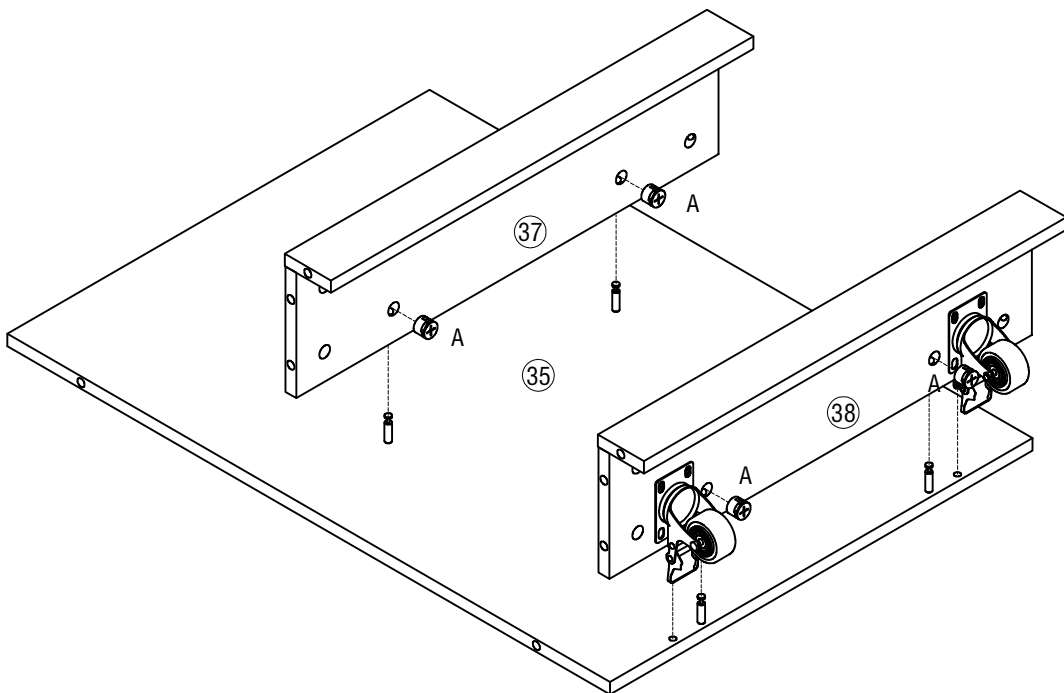
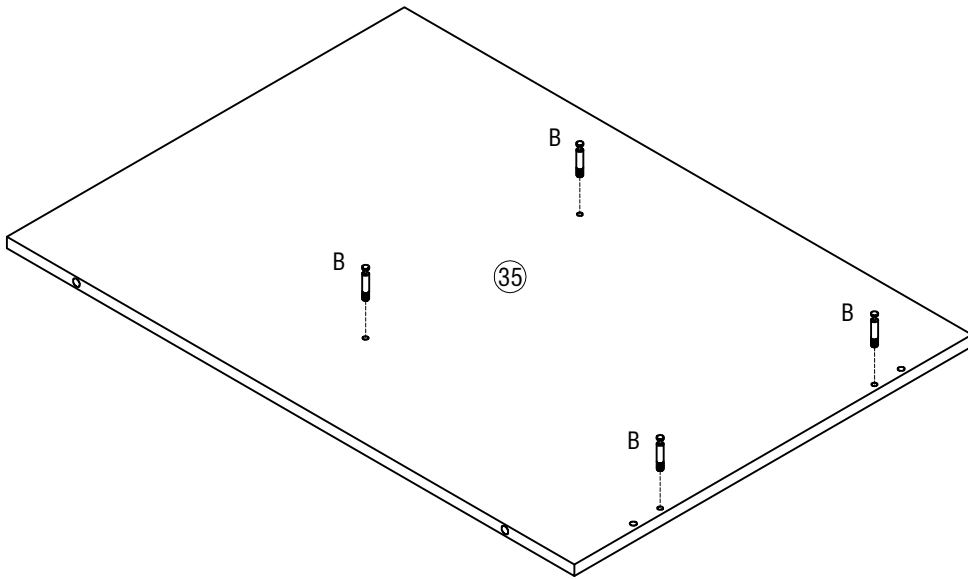
A	$\phi 12 \times 10$	C	$\phi 6 \times 40$	H	M4*14	S	H=60mm	T	$\phi 12 \times 1$
									
X2		X2		X8		X2		X8	



Installation Steps



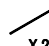
23 ▶

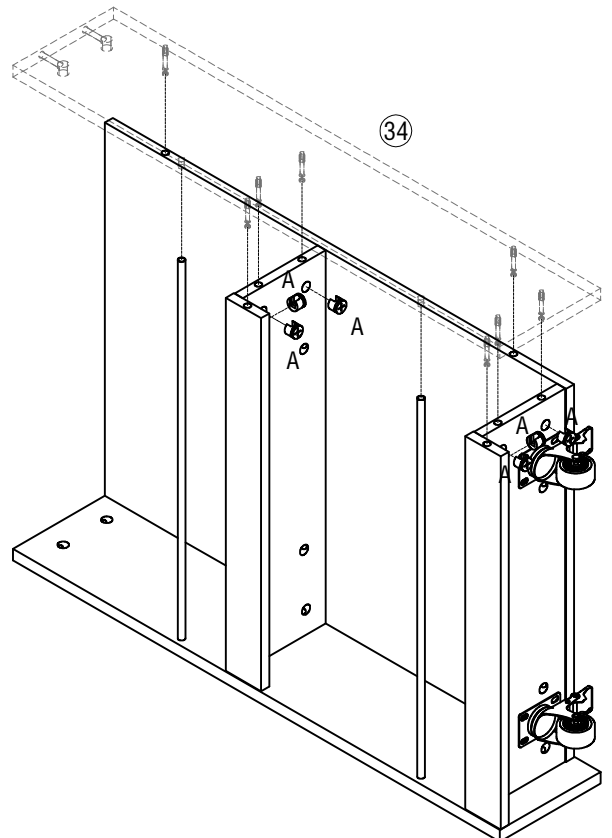
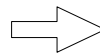
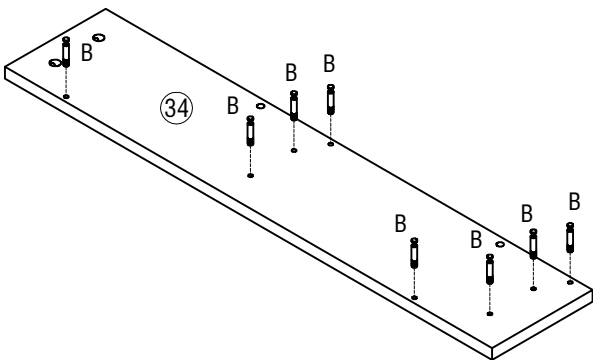
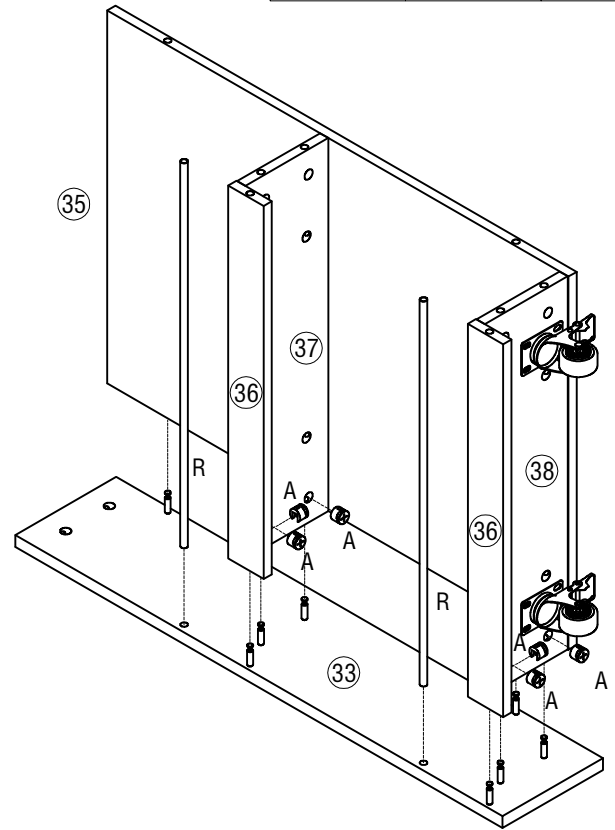
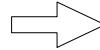
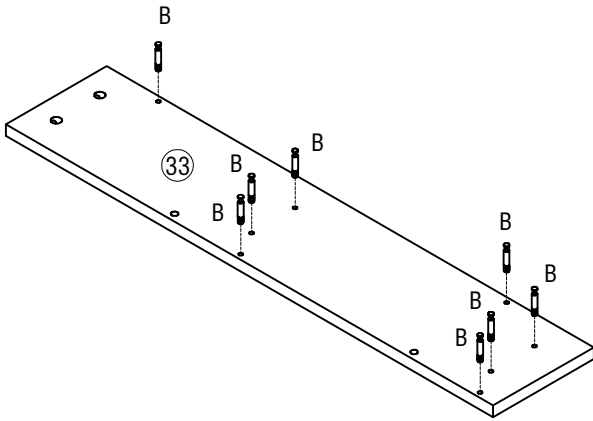
A $\phi 12 \times 10$  X 4	B $\phi 7 \times 40$  X 4
--	---



Installation Steps


24 ▶

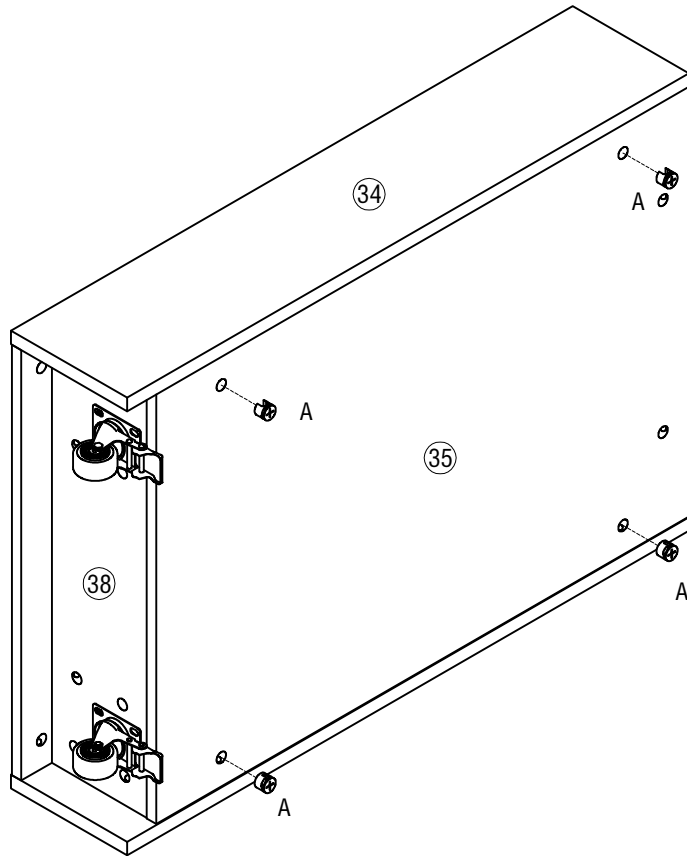
A	$\phi 12 \times 10$	B	$\phi 7 \times 40$	R	$\phi 8 \times 490$
					
X 12		X 16		X 2	



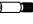
Installation Steps

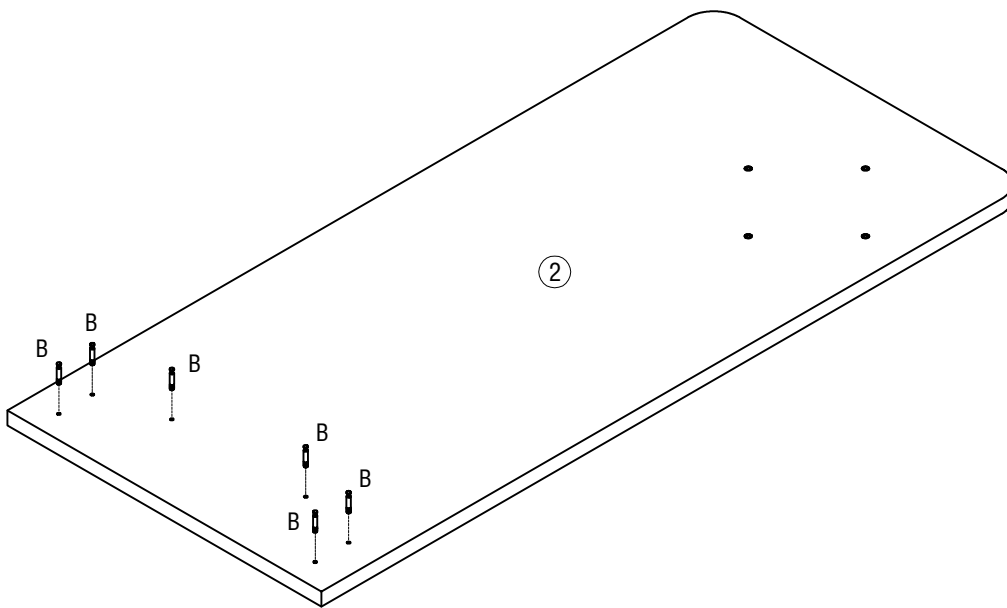
25 ▷

A $\varnothing 12 \times 10$

X4




26 ▷

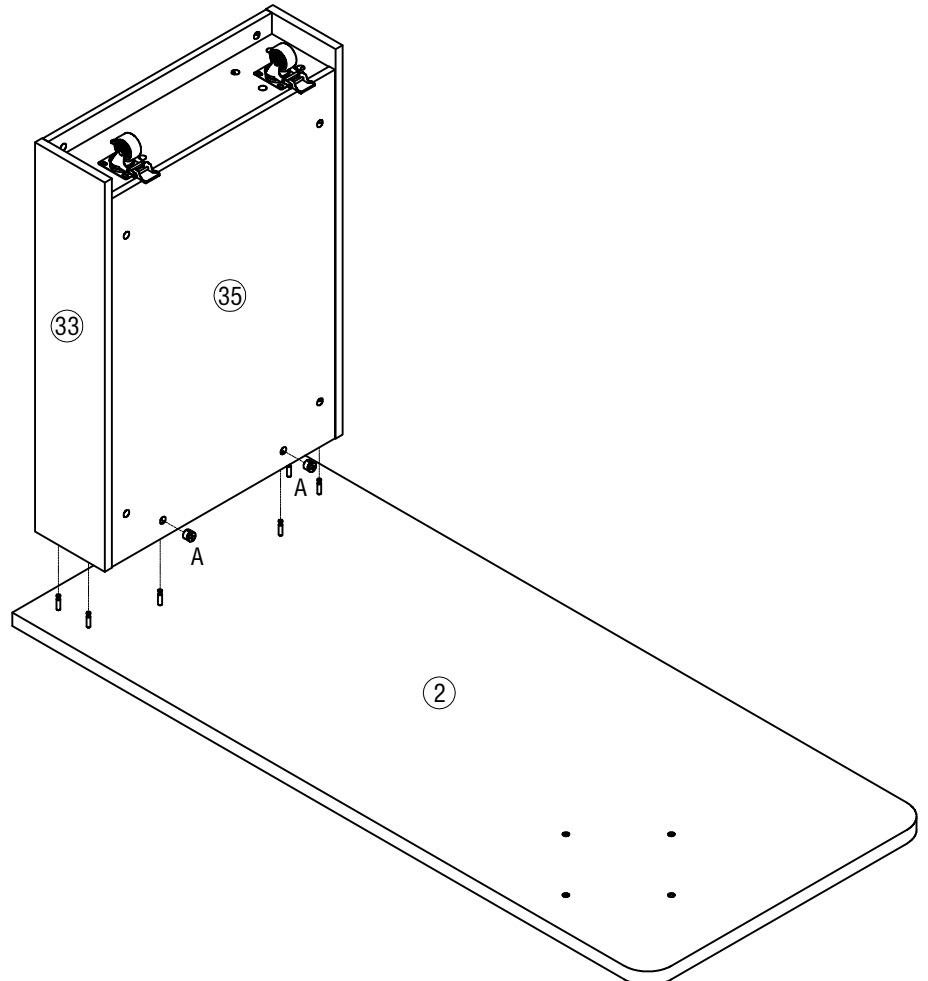
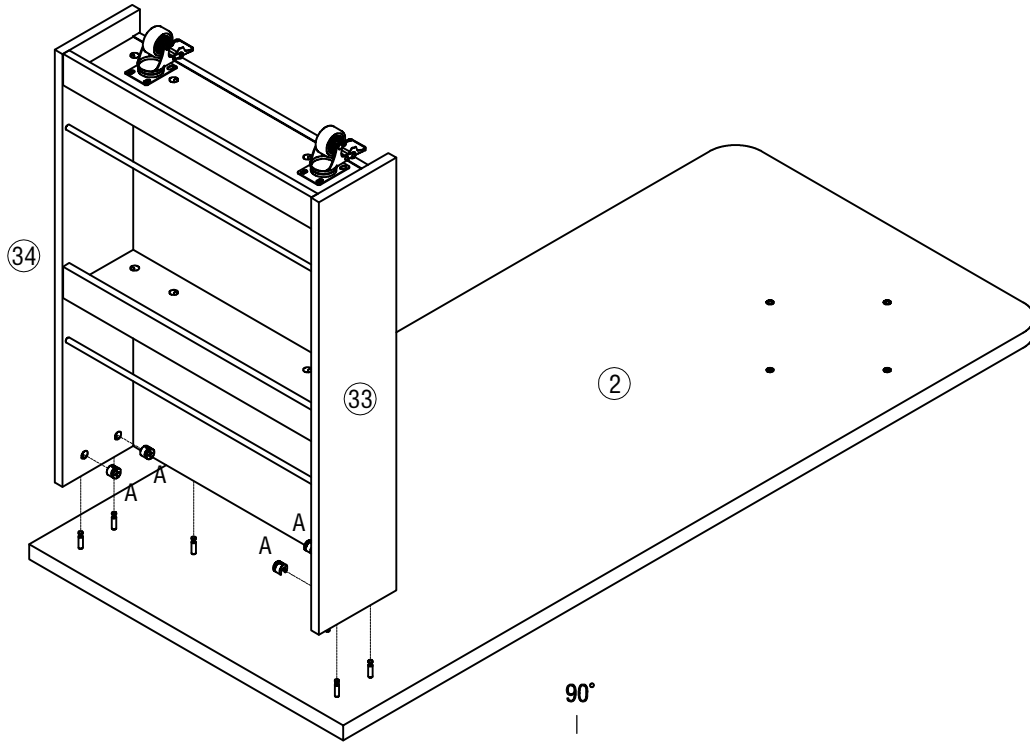
B $\varnothing 7 \times 40$

X6



Installation Steps

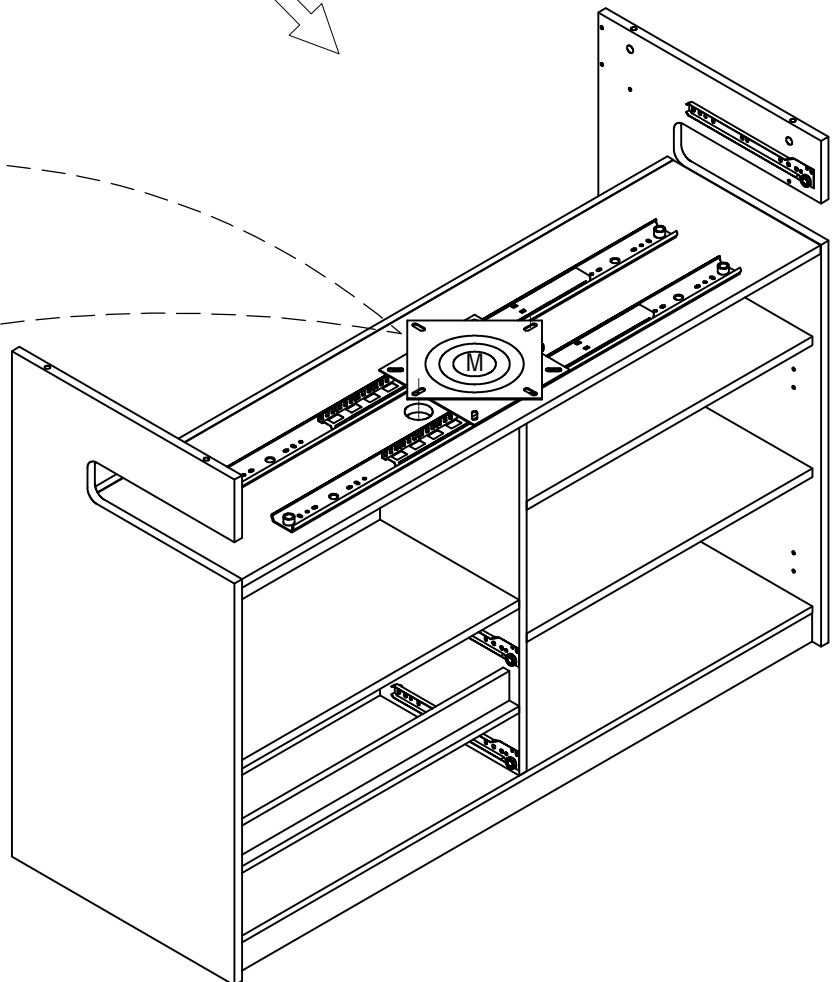
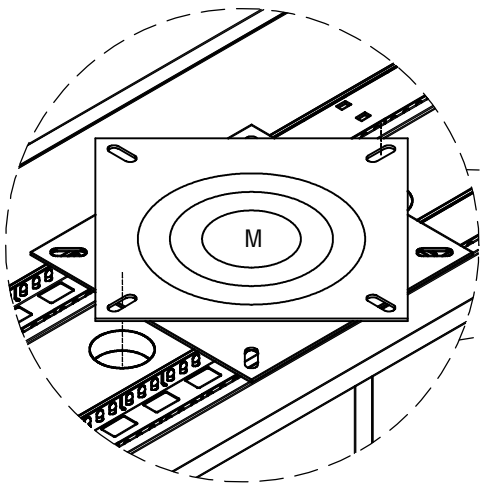
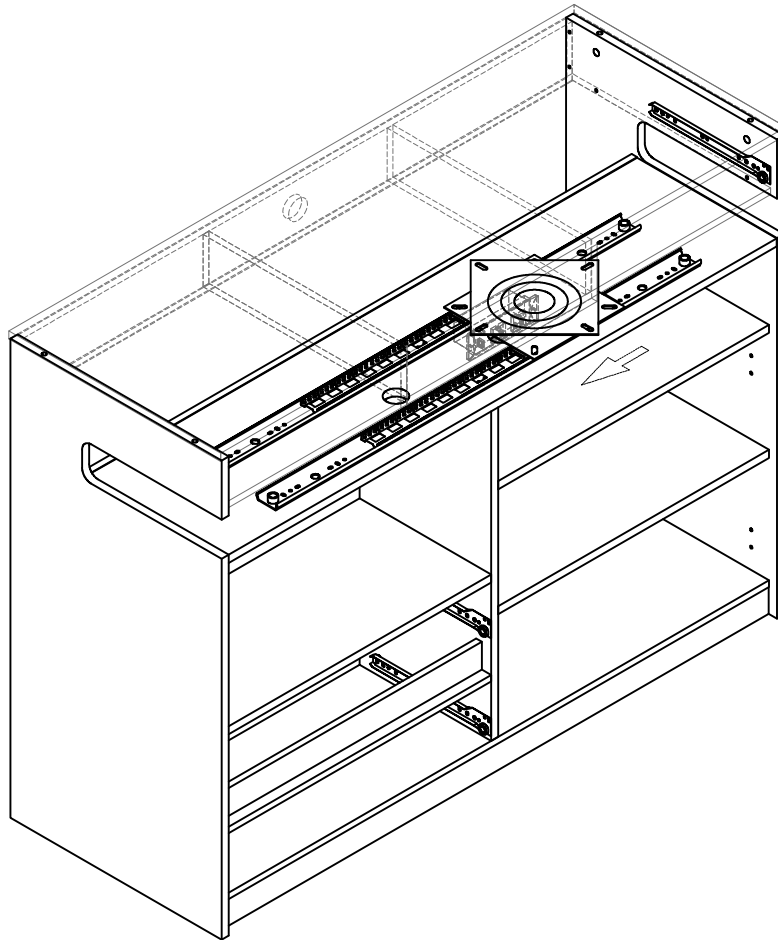
27 ▶

A $\phi 12 \times 10$

X6



Installation Steps

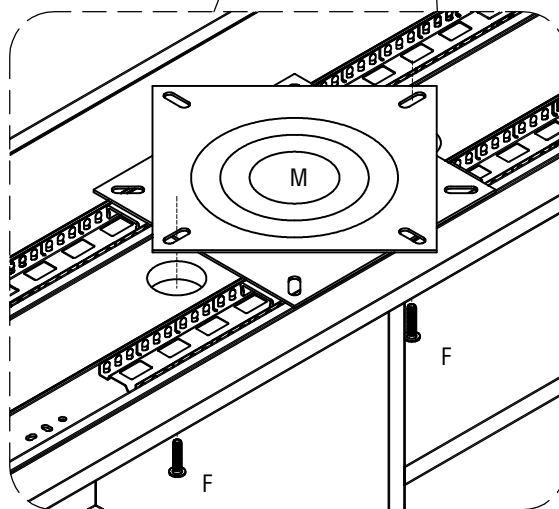
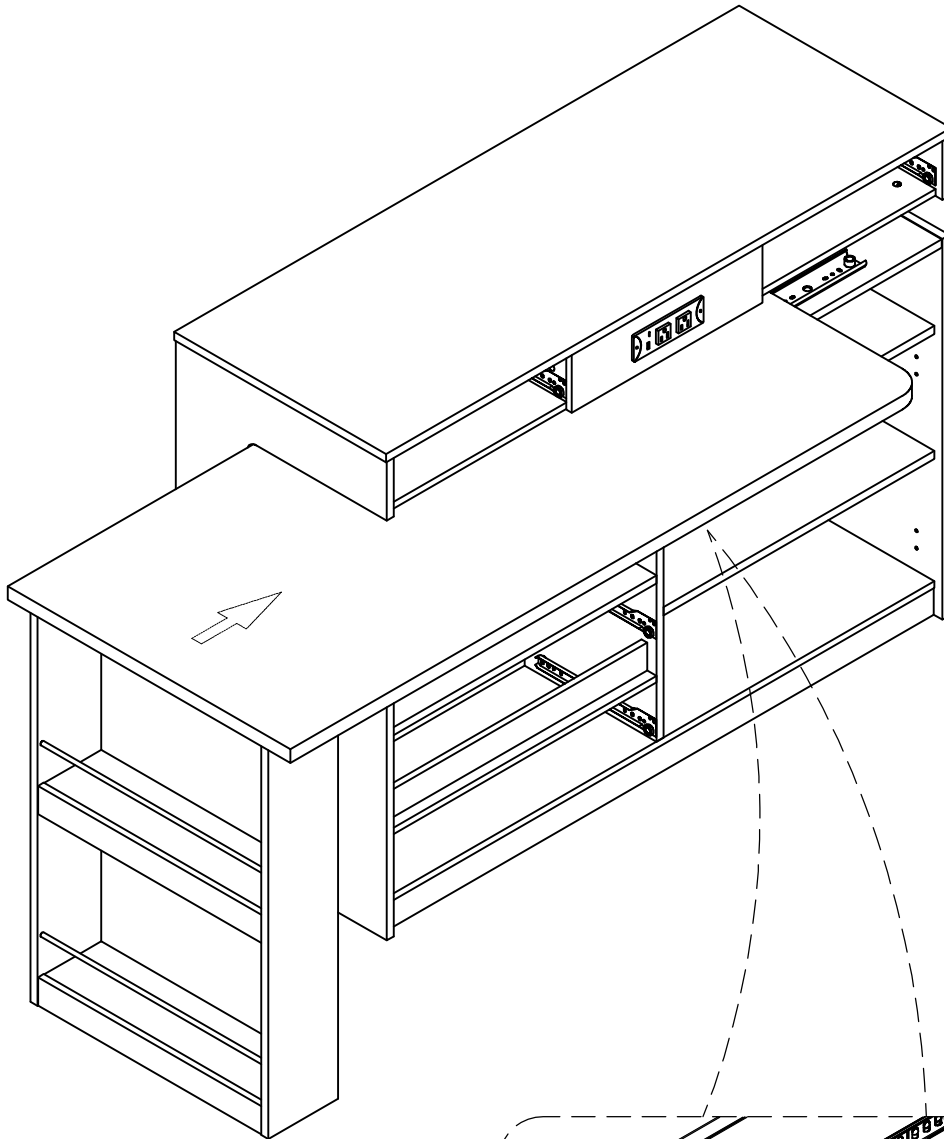
28 ▶



Installation Steps


29 ▷

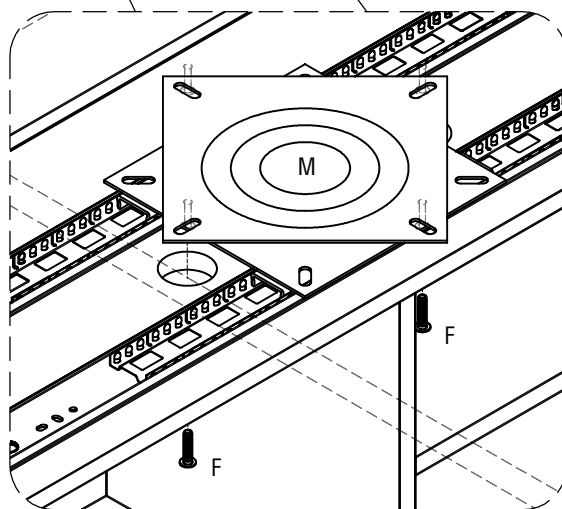
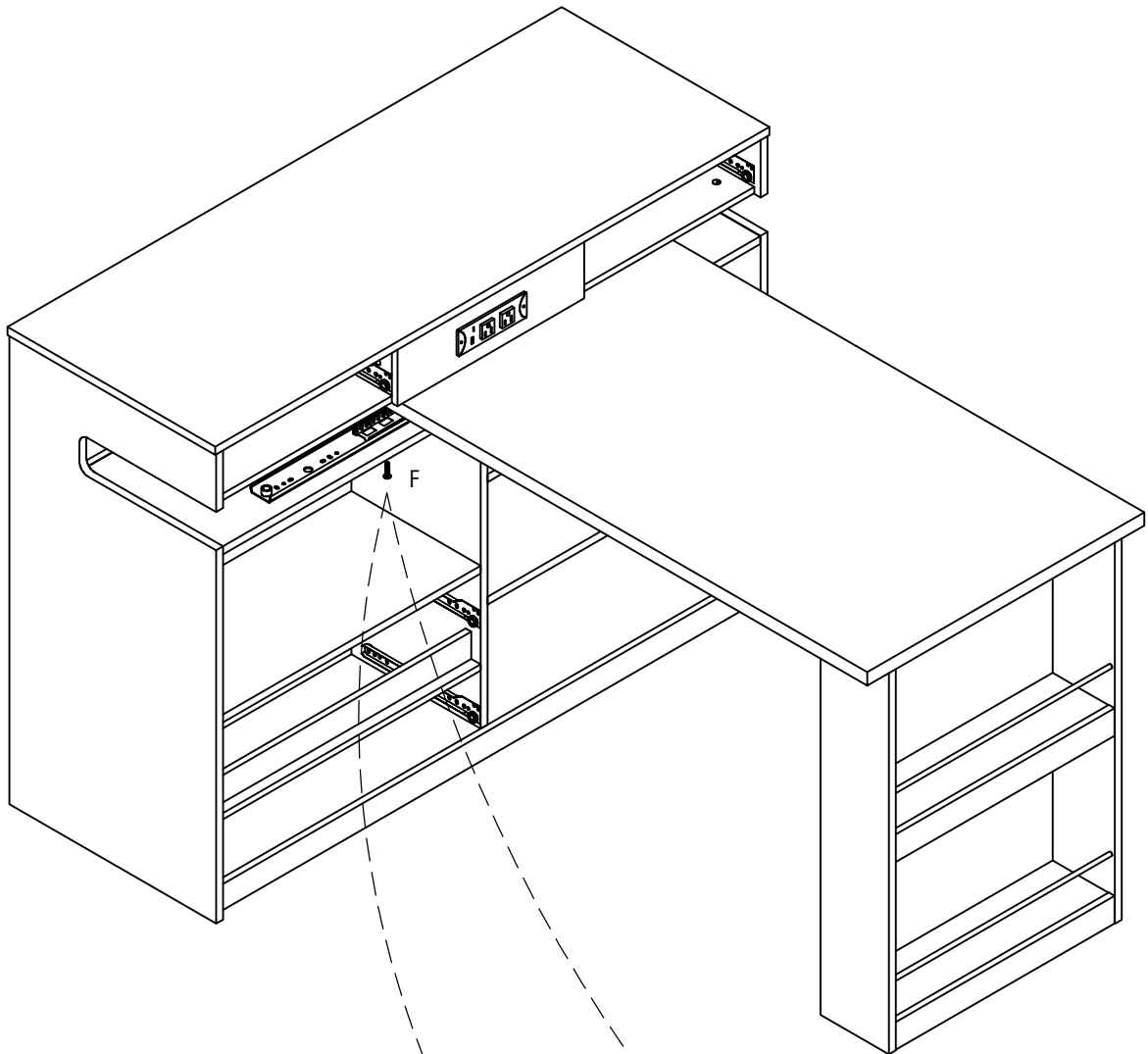
F M6*15
X2



Installation Steps


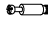



30 ▷

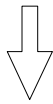
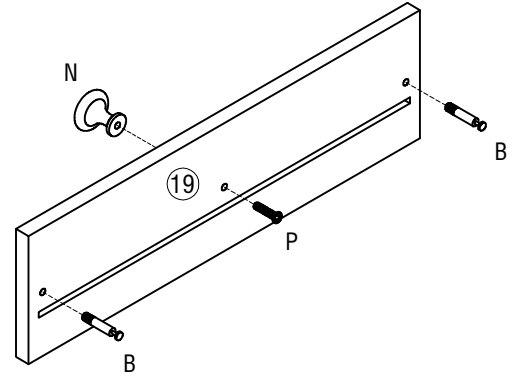
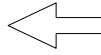
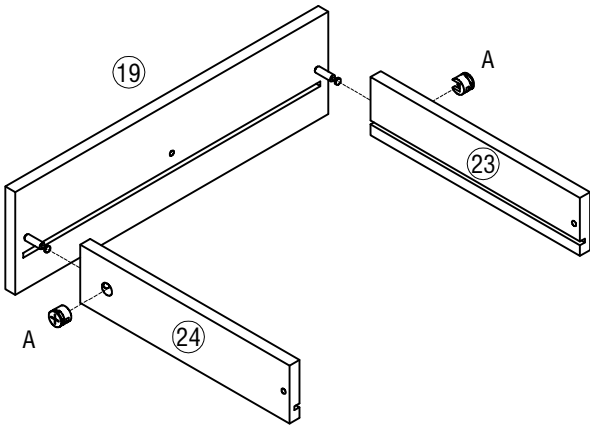
F M6*15

X2



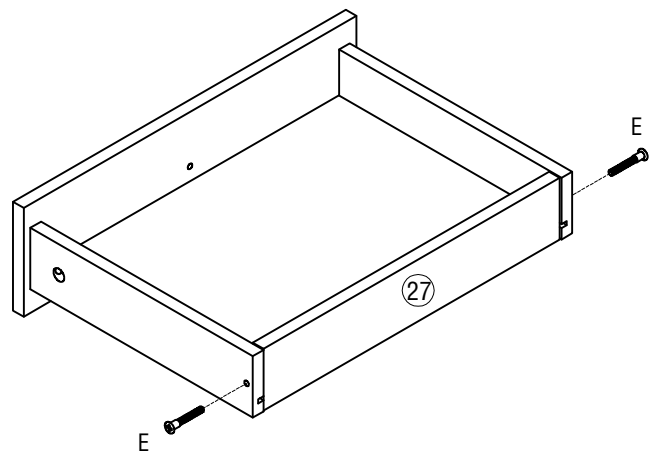
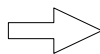
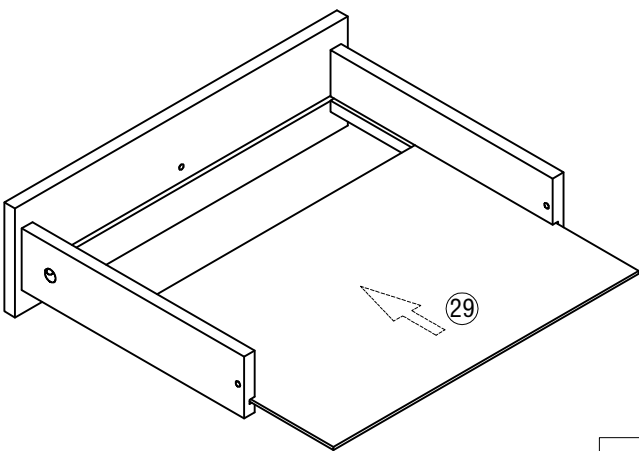
Installation Steps

31 ▶

A $\phi 12 \times 10$  X4	B $\phi 7 \times 40$  X4	E M5*40  X4	N  X2	P M4*16  X2
---	--	---	---	---


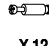



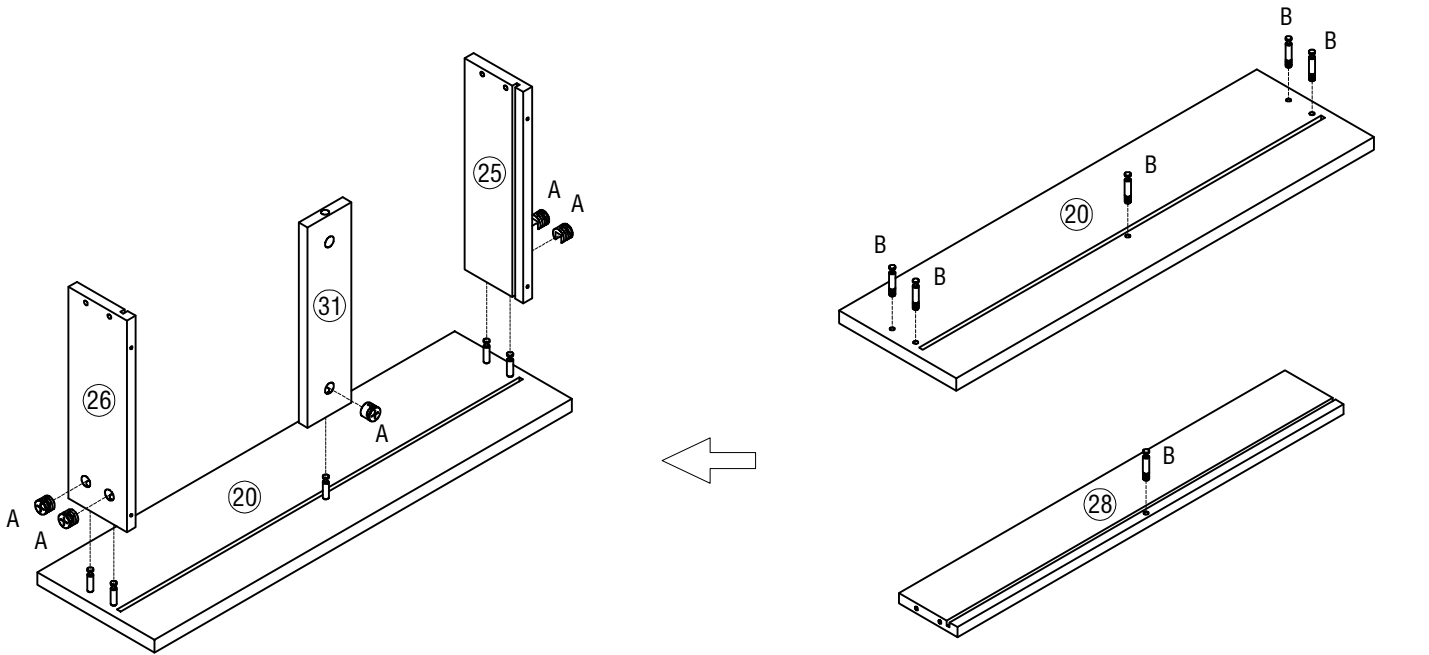
x 2



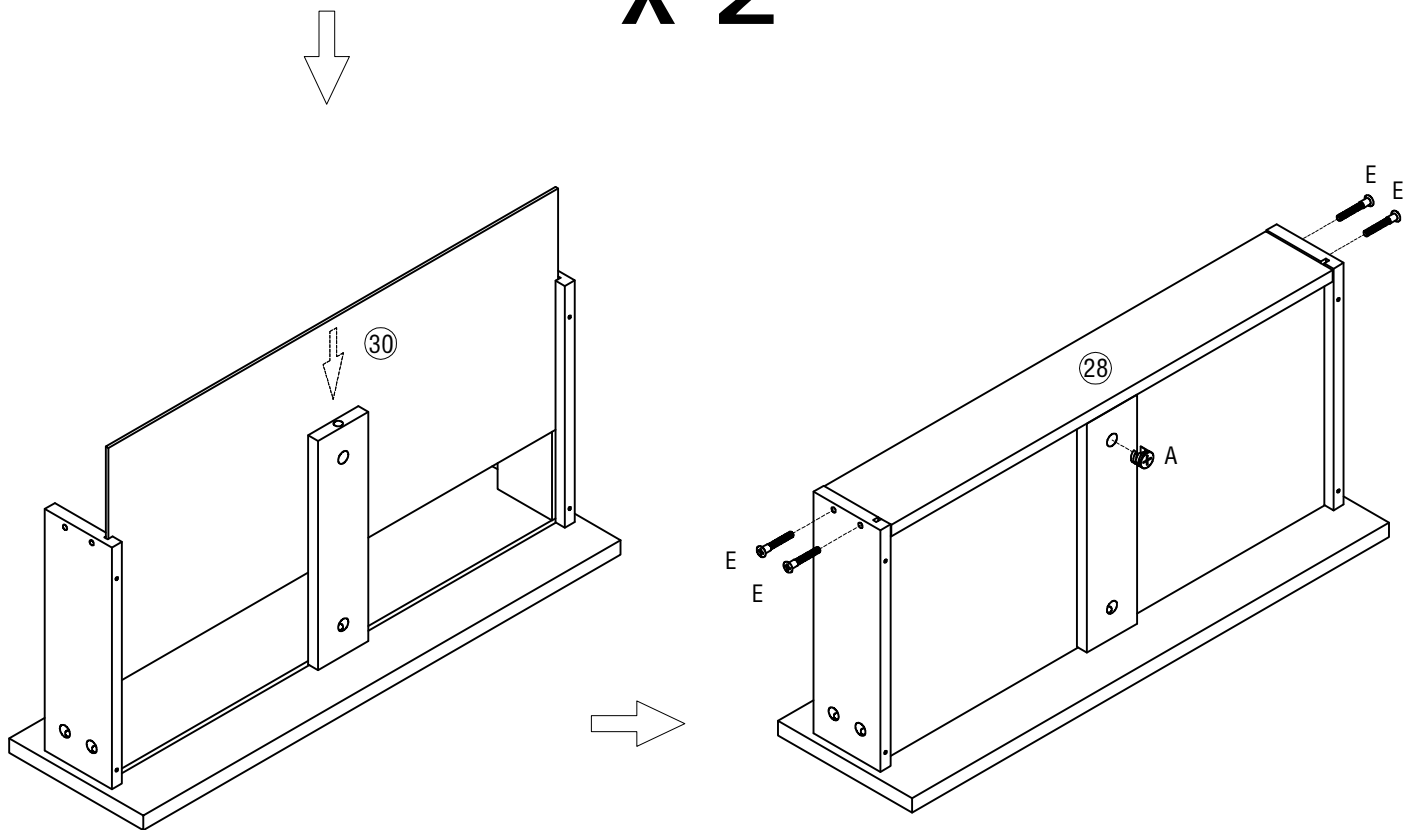
Installation Steps

32 ▶

A	$\phi 12 \times 10$	B	$\phi 7 \times 40$	E	M5 \times 40
					
	X 12		X 12		X 8



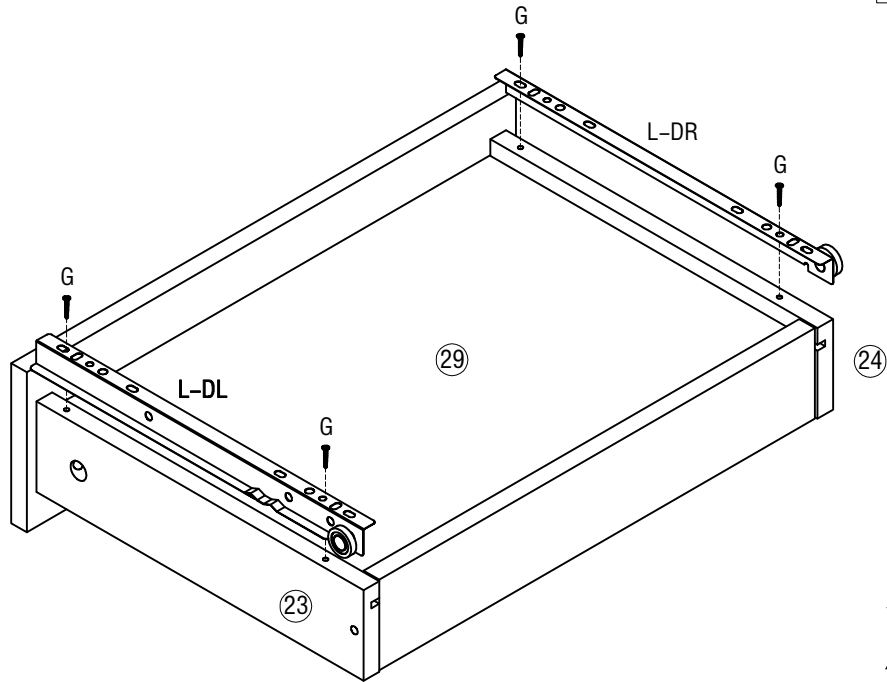
x 2



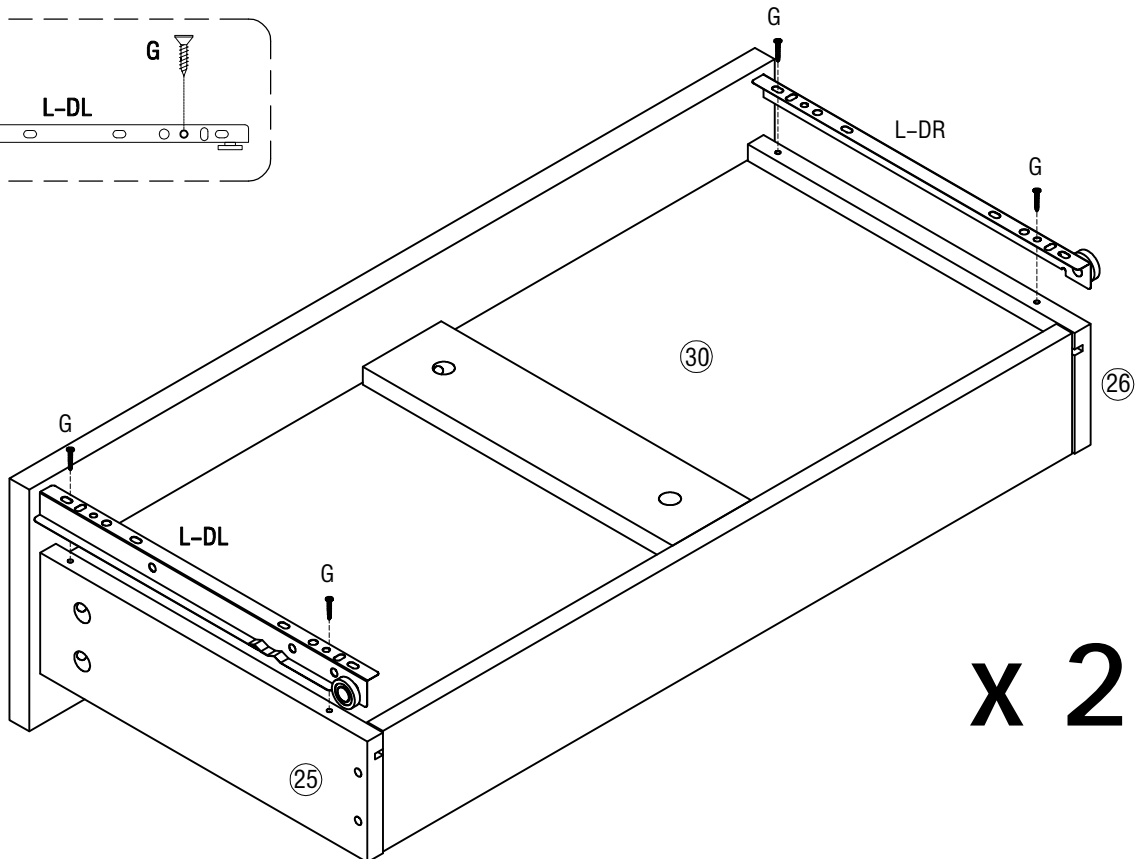
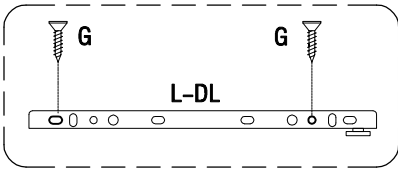
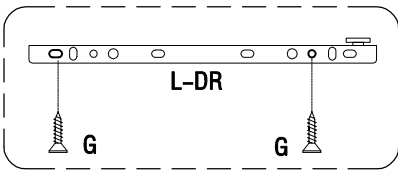
Installation Steps

33 ▶

G	M3*12	L	10"
	X 16		X 8



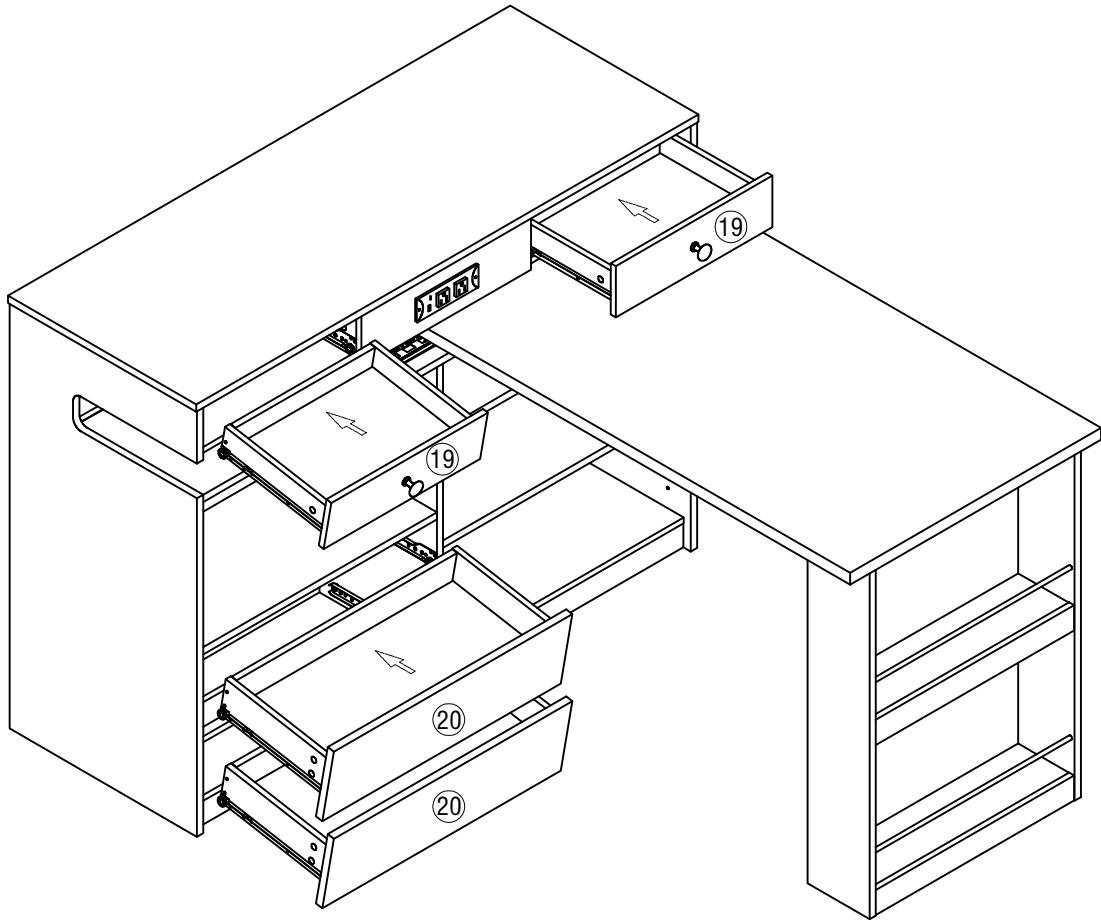
x 2








x 2

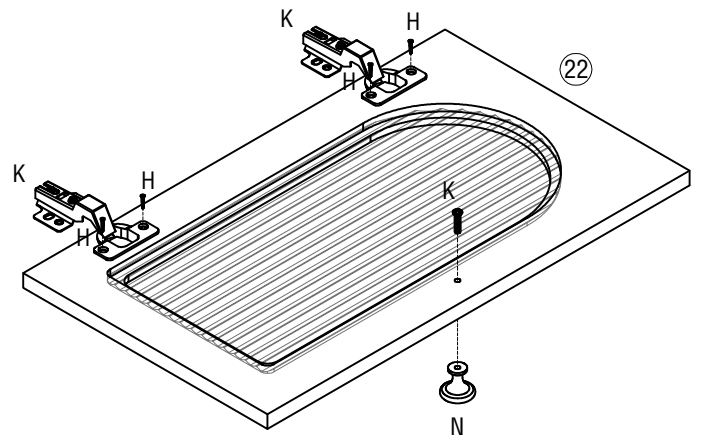
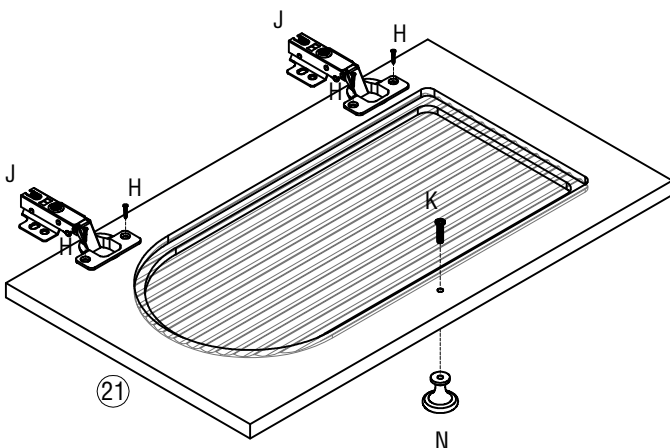
Installation Steps

34 ▶



35 ▶

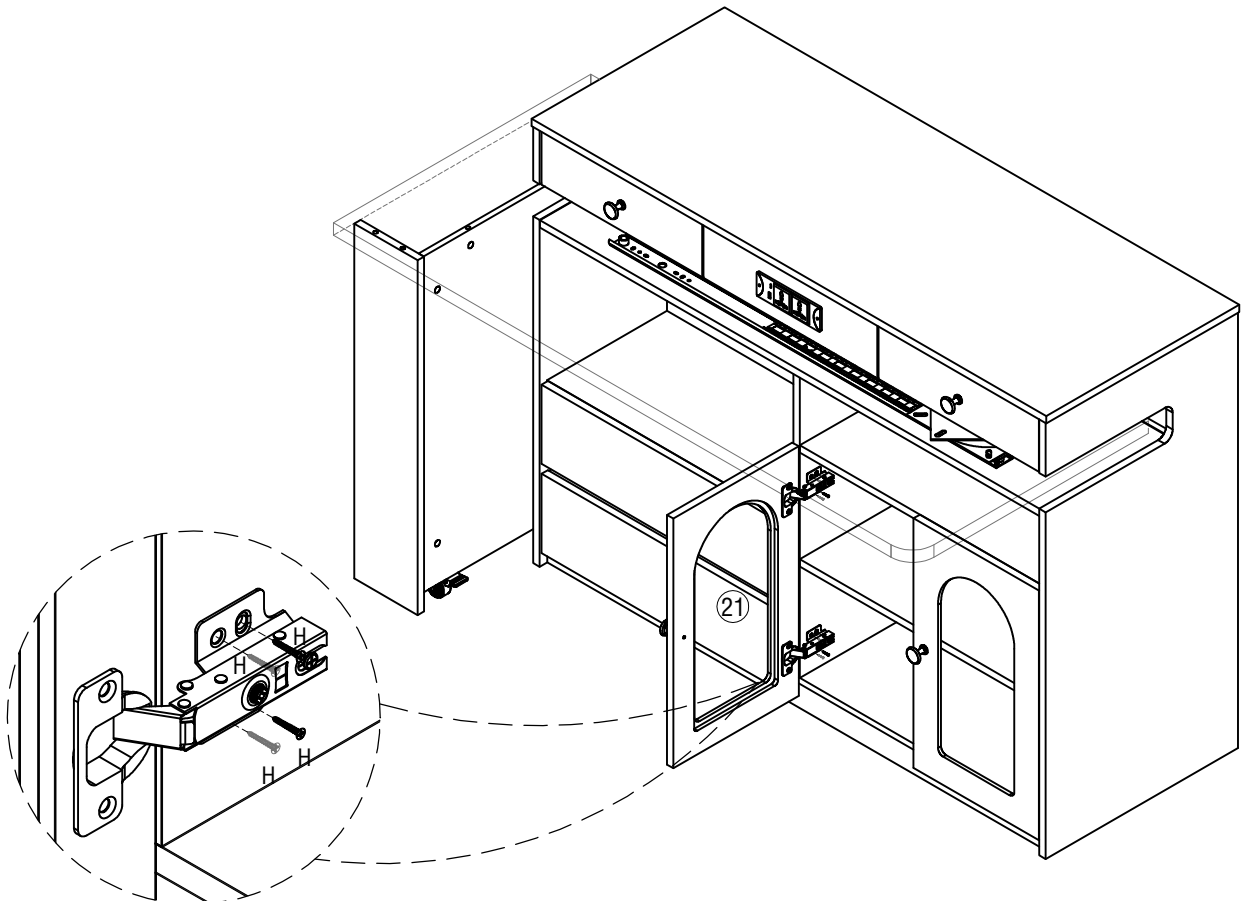
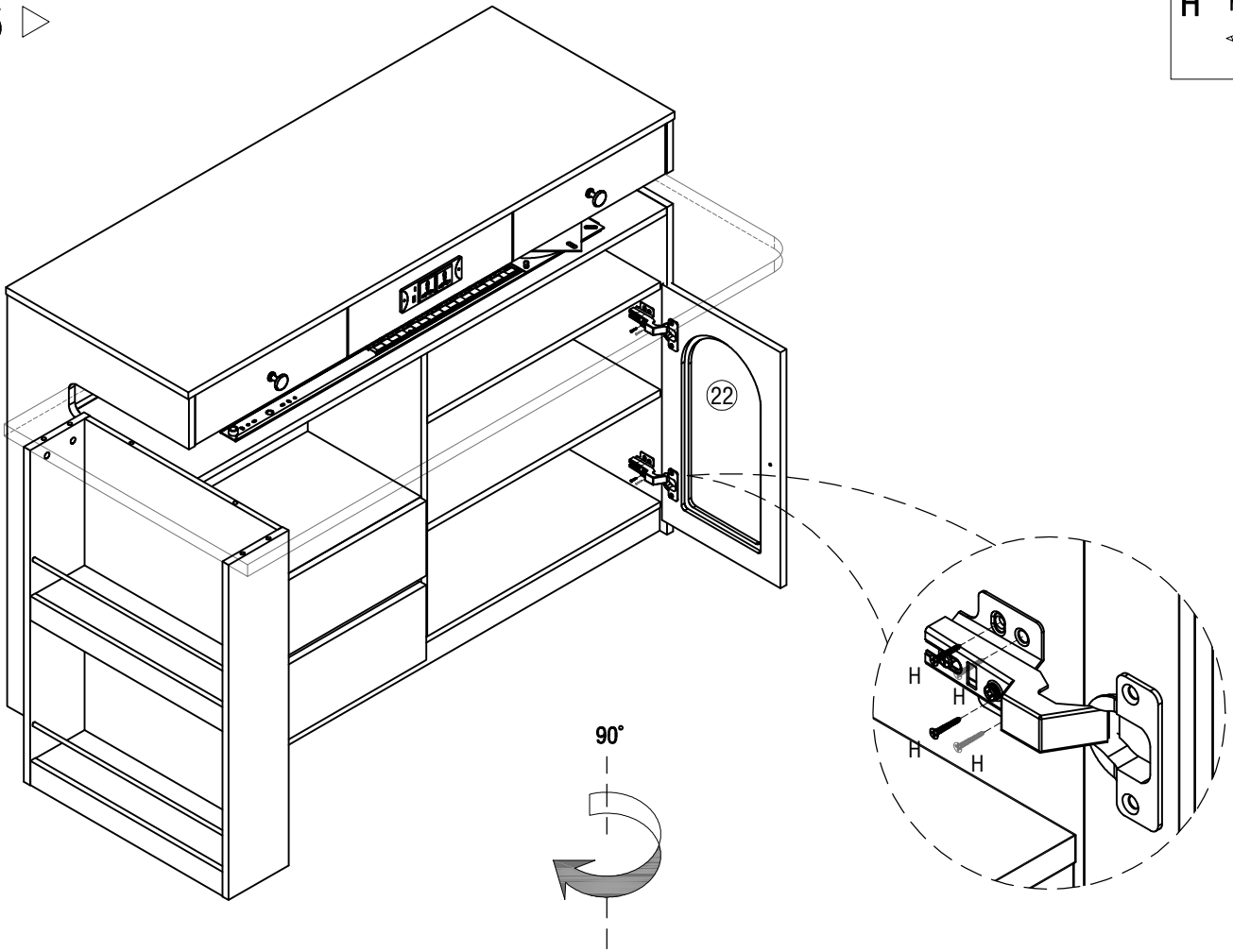
H	M4*14	J		K		N		Q	Ø4*18
									
	X8		X2		X2		X2		X2



Installation Steps

36 ▶

H M4*14
X 16



Installation Steps

37 ▶

