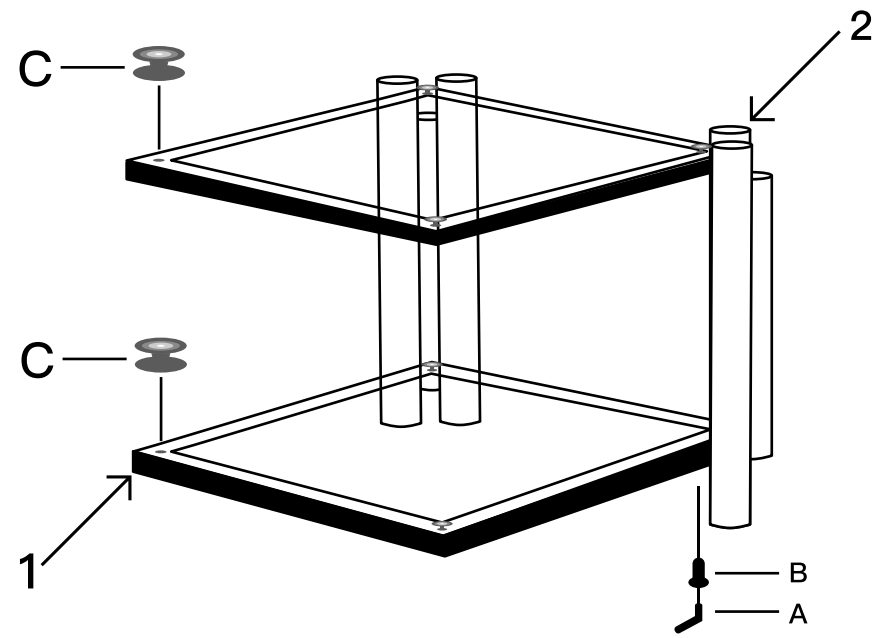
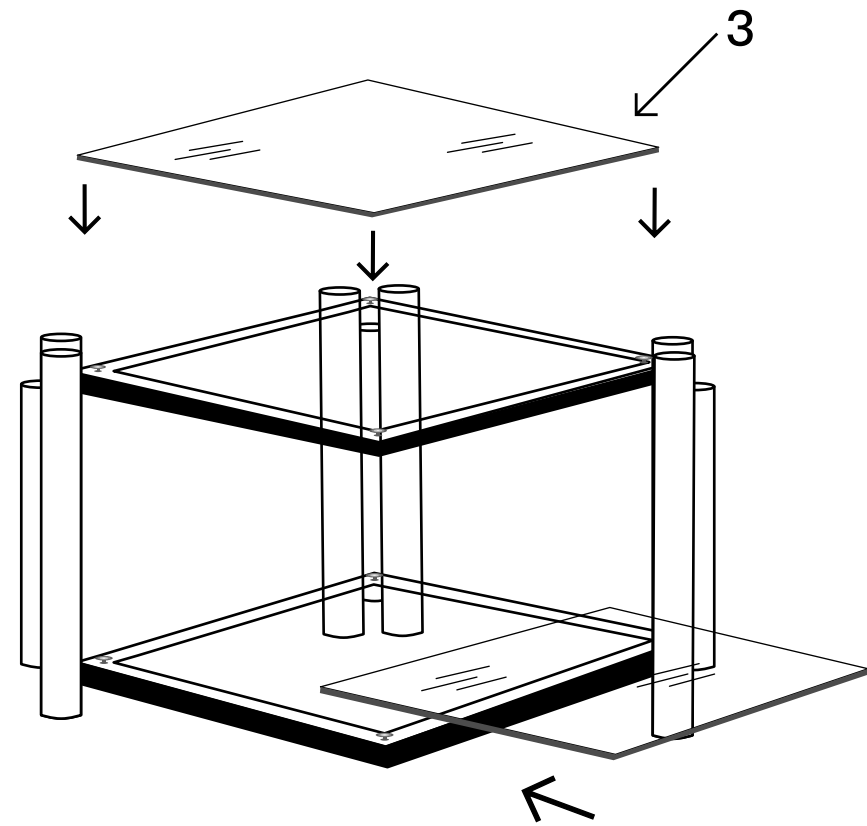


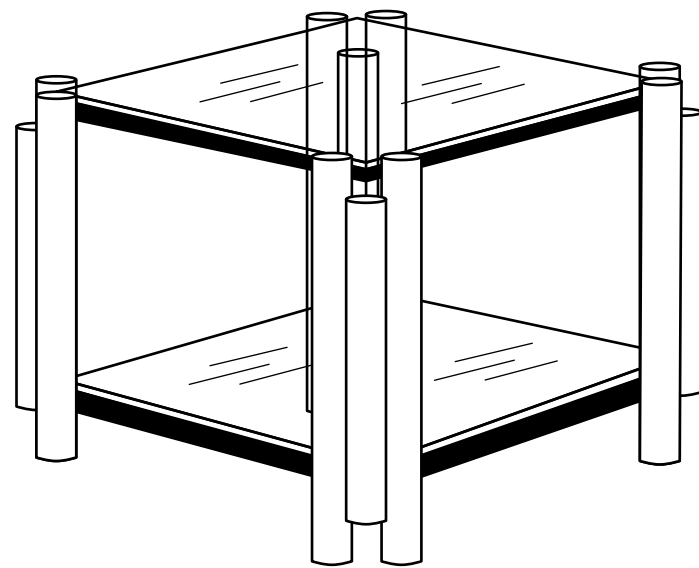
Step 1


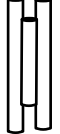






Step 2



Step 3



	1	2	3	A	B	C
						
	x 2	x 4	x 2	x 1	x 16	x 8