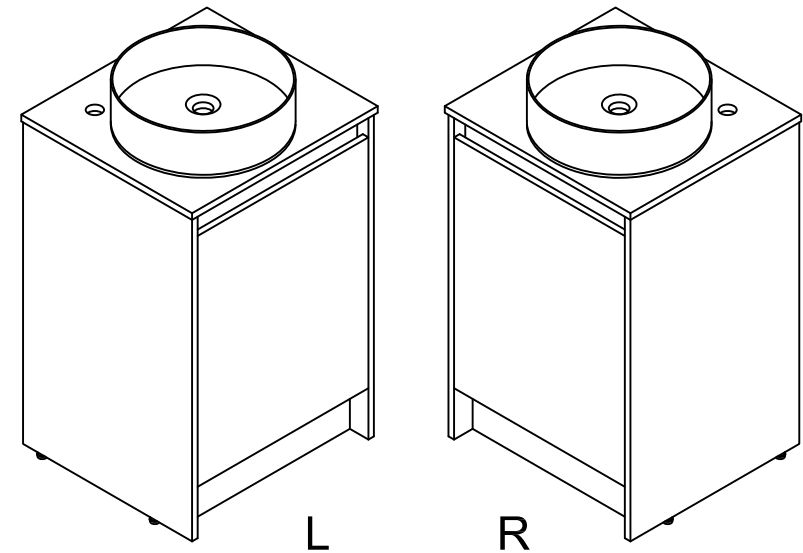


## THANKS FOR WATCHING

Your feedback is invaluable to us and we would love to hear about your experience. Please take the time to leave us a review.









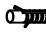

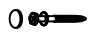




**Thank you for shopping with us!**

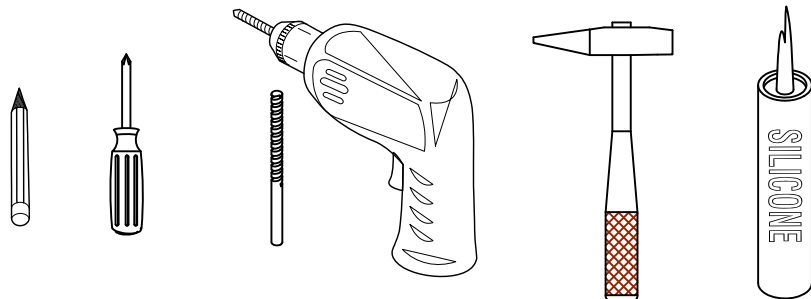
We encourage you to take a few minutes to go through this booklet. It contains important information on installation and care tips to keep your furniture looking as good as new.

# Item NO.:BV B120 F20 GWH

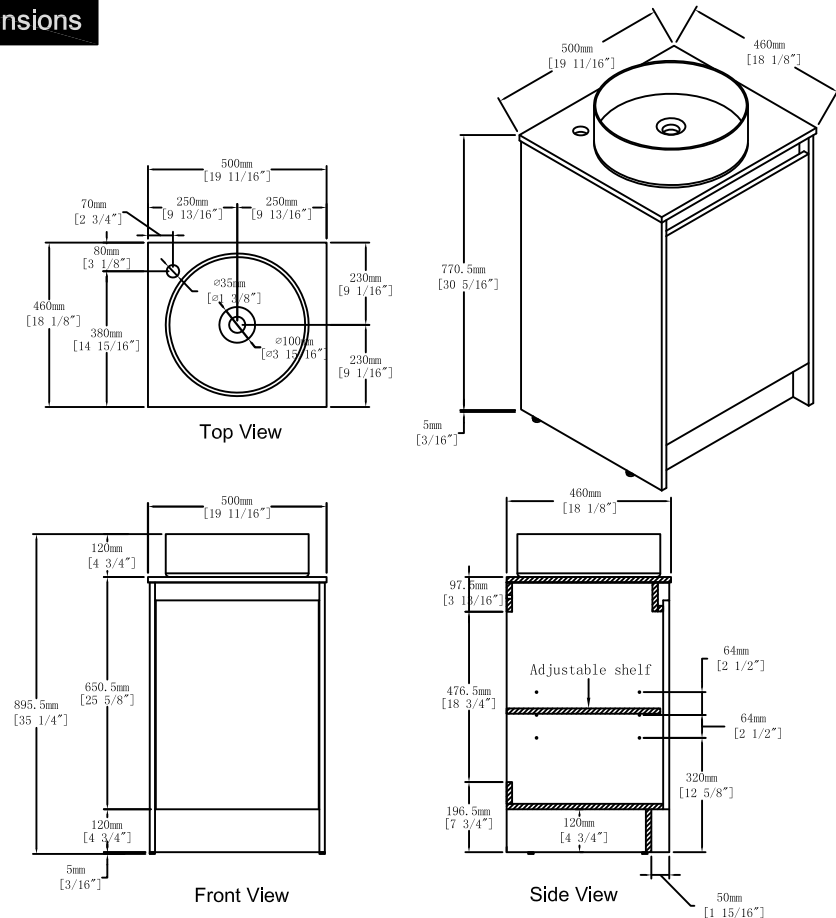
## Hardware

| NO. | Draw  | QTY | NO. | Draw  | QTY |
|-----|---|-----|-----|---|-----|
| A   | <br>Screws Ø4x14mm             | 32  | H   | <br>Bracket (19x19x35mm)     | 2   |
| B   | <br>Two-in-one connector       | 24  | I   | <br>Hinges(Internal hiding ) | 2   |
| C   | <br>Two-in-one connector       | 24  | J   | <br>Adjustable feet          | 4   |
| D   | <br>Wood plug                  | 4   | K   | <br>Movable laminate support | 4   |
| E   | <br>Plastic anchor(Ø10mm)      | 2   | L   | <br>Anti-collision gasket    | 2   |
| F   | <br>Screws for fix on the wall | 2   | M   | <br>Screwdriver              | 1   |
| G   | <br>Bracket (53x70x44mm)       | 2   |     |   |     |

## Recommended tools



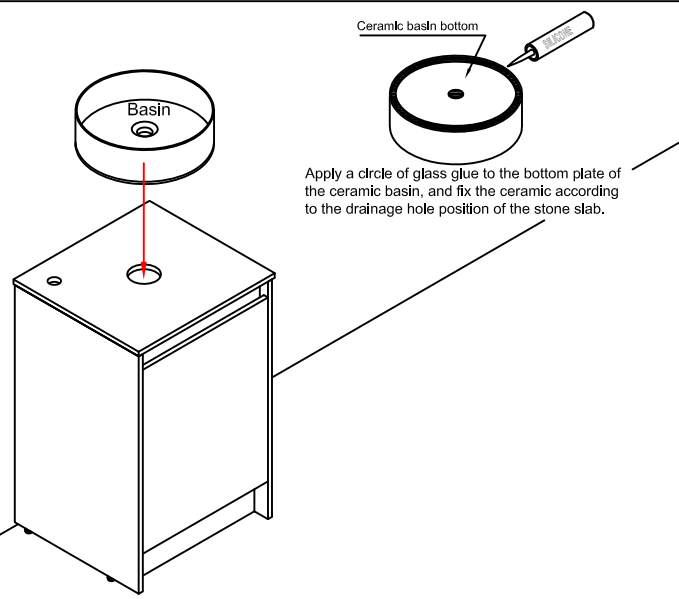
## Dimensions



## CARE CLEANING AND MAINTENANCE

1. Dust regularly with a soft , dry cloth.
2. Avoid the use of all chemicals household cleaners, abrasives, or cleaners that contain lemon, vinegar, or other acids that may damage the finish.
3. Excessive exposure to sunlight and extreme changes in temperature and moisture can damage wood furniture.
4. The sink is fragile, please pay attention to maintaining its appearance.
5. Do not place hot appliances, such as curling irons and hot hair dryers directly on the countertop. Wipe spills immediately.

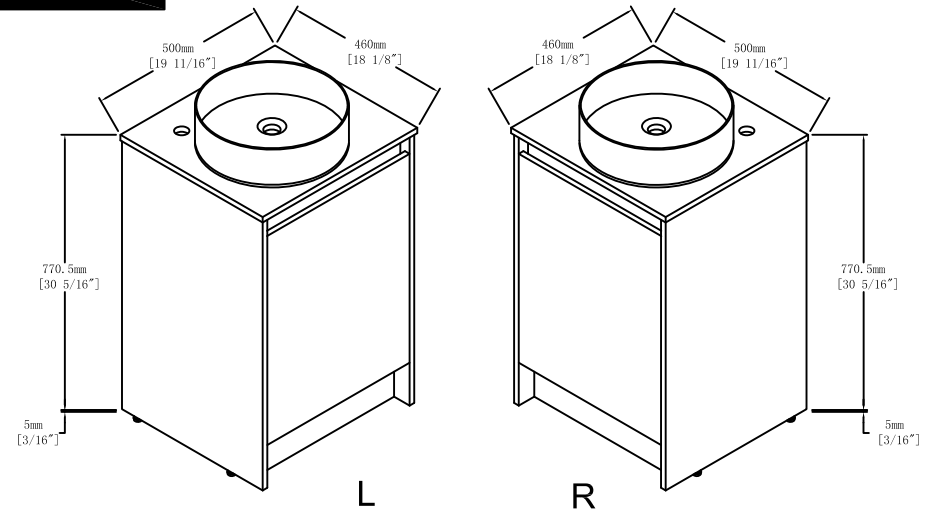
### Step 14



Apply a circle of glass glue to the bottom plate of the ceramic basin, and fix the ceramic according to the drainage hole position of the stone slab.

The specific basin type is subject to your purchase order.

### Dimensions

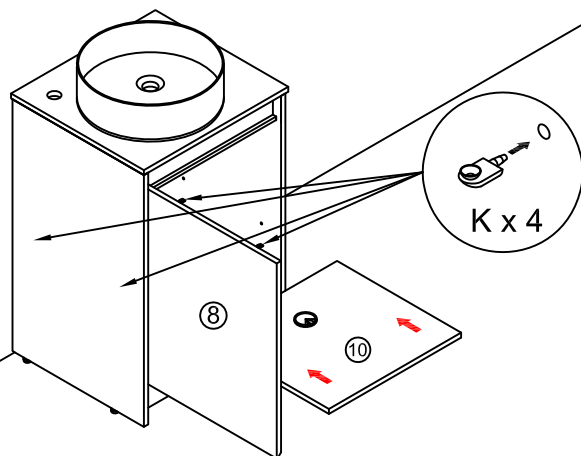
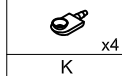


Note:

The opening direction of the door panel and the faucet hole on the countertop can be selected to the left or right according to one's own needs.

### Finished

Note:  
The installation position can be selected according to the required height.



### Components

