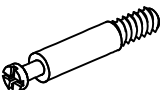



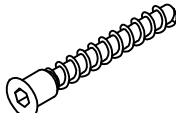

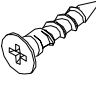
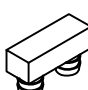
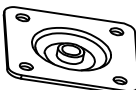
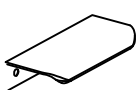

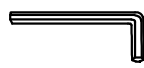
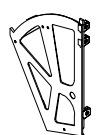

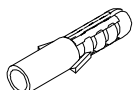
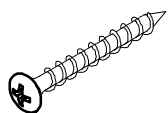
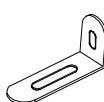


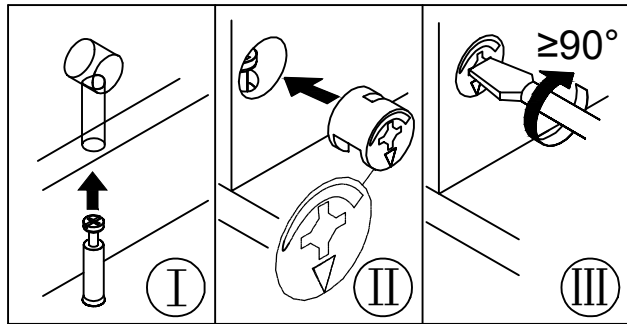
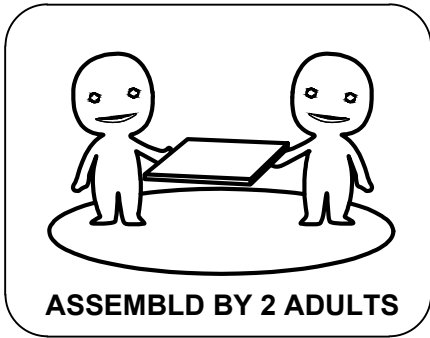


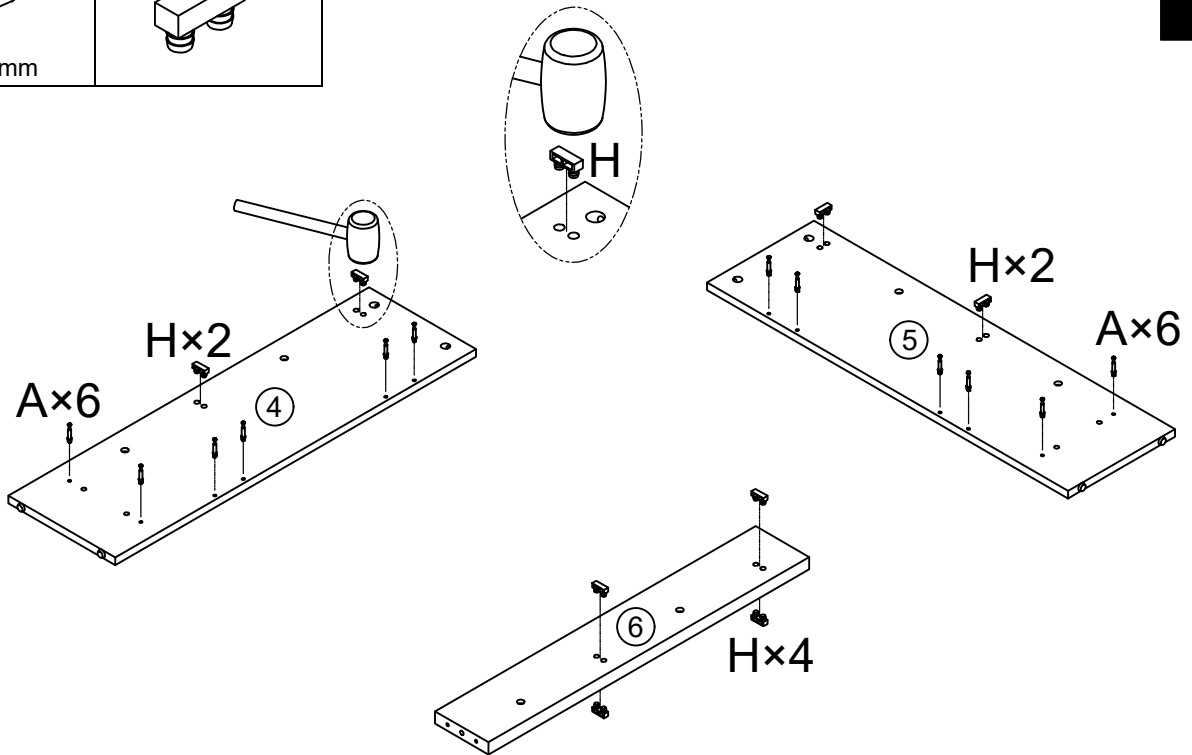
A×22PCS	B×14PCS	C×14PCS	D×8PCS	E×2PCS
 M6×35mm	 Ø15×12mm	 Ø8×30mm		 Ø7×50mm
F×1PC	G×56PCS	H×8PCS	I×1PC	J×4PCS
 Ø32mm	 Ø3.5×14mm			
K×8PCS	L×1PC	M×4PCS	N×4PCS	O×2PCS
 M6×18mm	 M4			 Ø6×30mm
P×2PCS	Q×2PCS	R×6PCS	S×8PCS	
 Ø4×35mm		 Ø4×14mm	 Ø15×9.3mm	


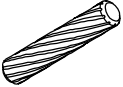
1.



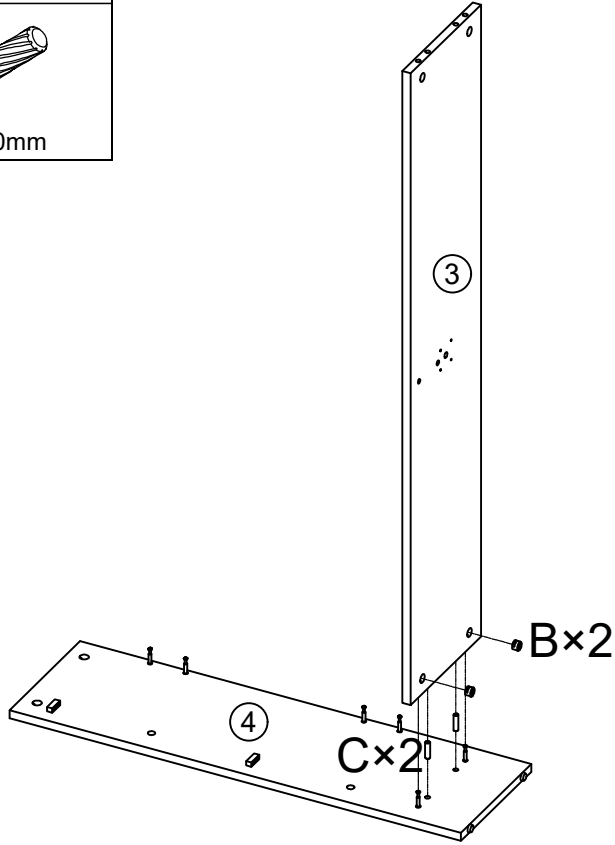
A×12PCS	H×8PCS
<p>M6×35mm</p>	

2.

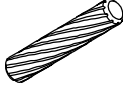
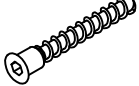



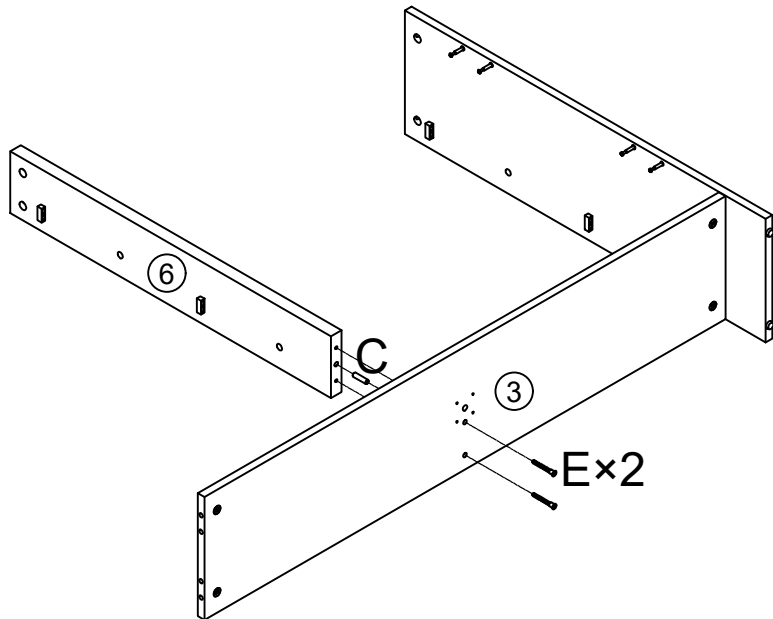
B×2PCS	C×2PCS
	
Ø15×12mm	Ø8×30mm

**3.**



**4.**

C×1PC	E×2PCS	L×1PC
		
Ø8×30mm	Ø7×50mm	M4mm

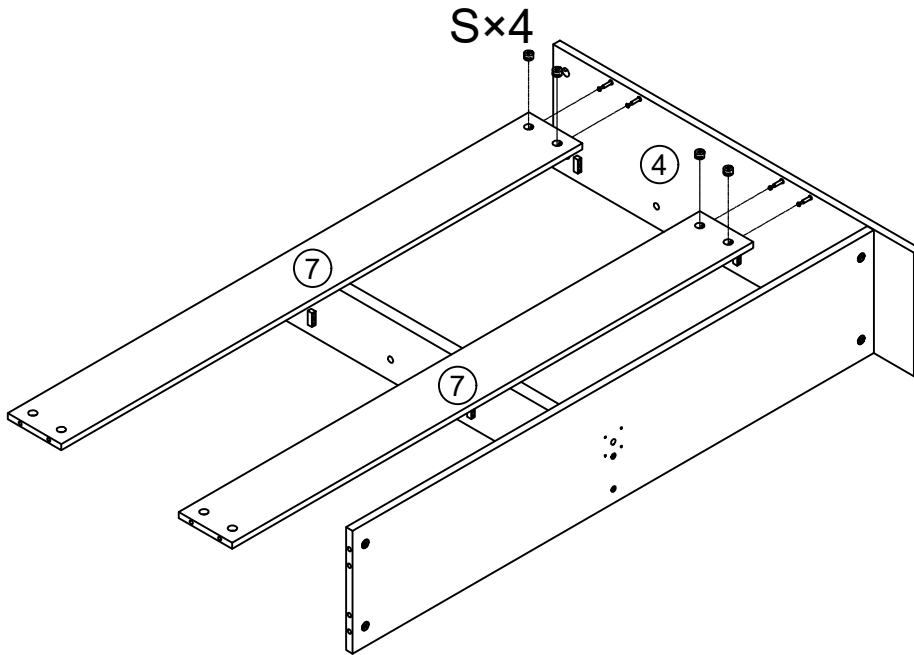



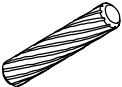

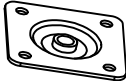


# 5.

S×4PCS

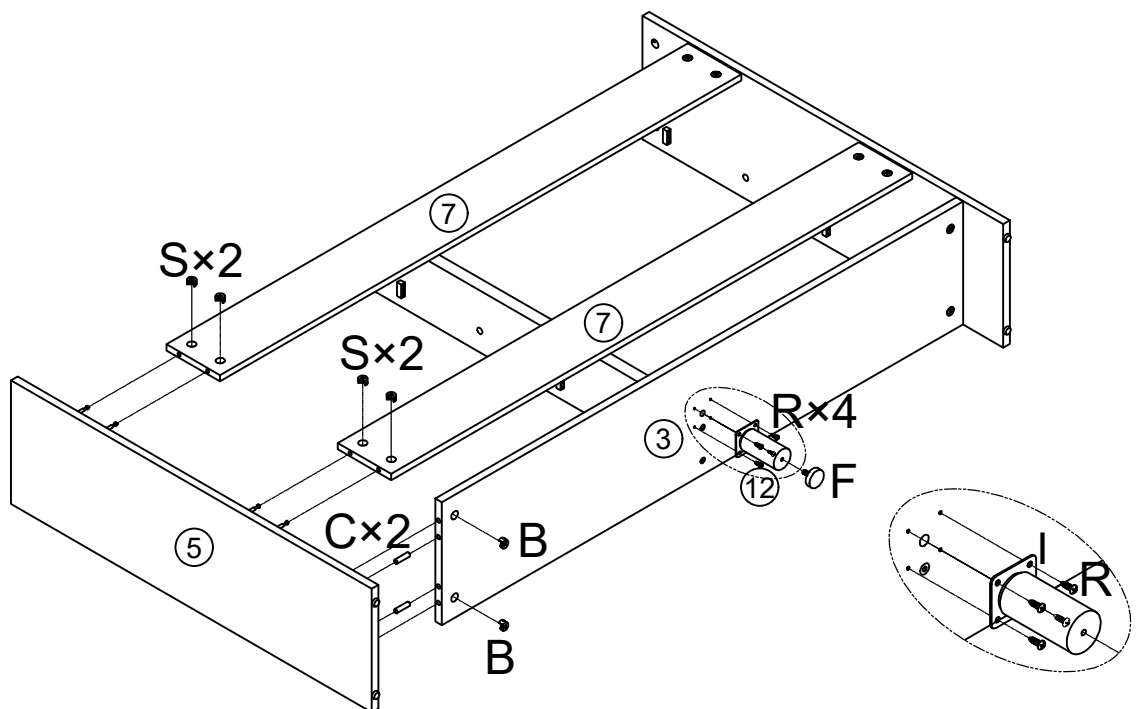
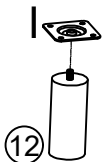


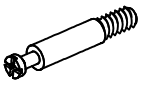

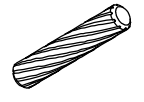
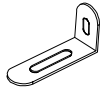

Ø15×9.3mm



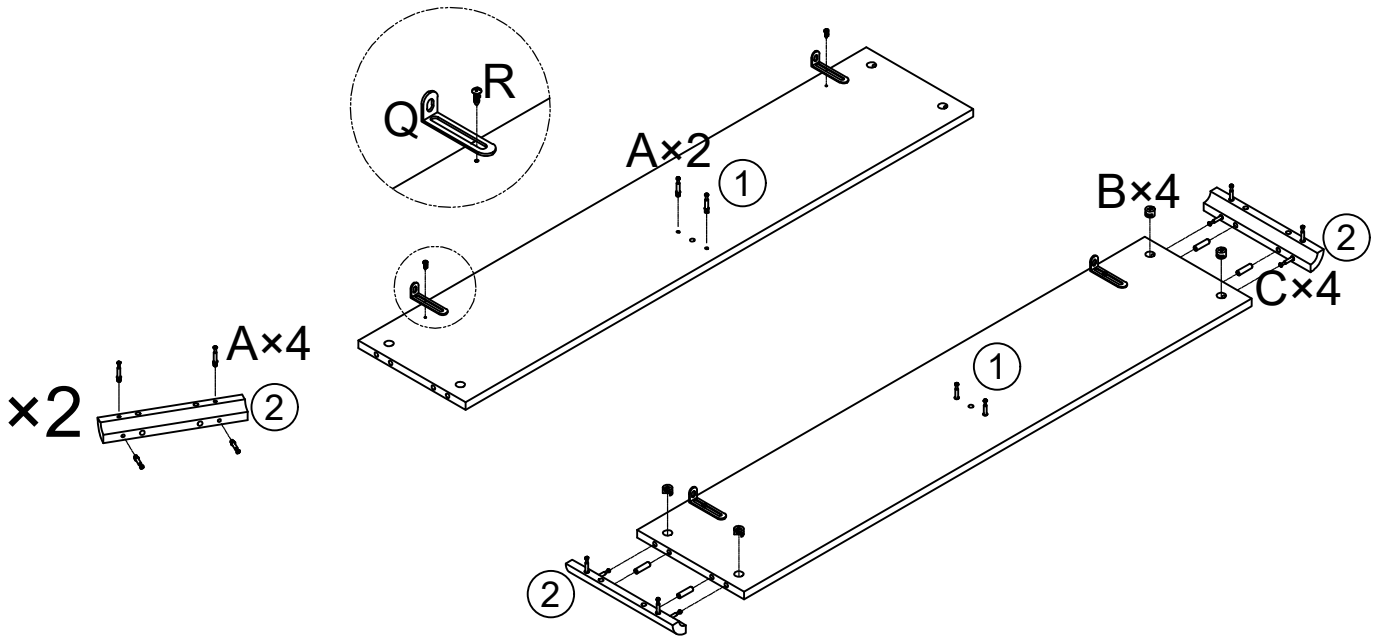
B×2PCS	C×2PCS	F×1PC	I×1PC	S×4PCS
 Ø15×12mm	 Ø8×30mm	 Ø32mm	 I-shaped lock component	 Ø15×9.3mm
R×4PCS				
 Ø4×14mm				

# 6.


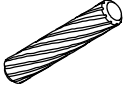


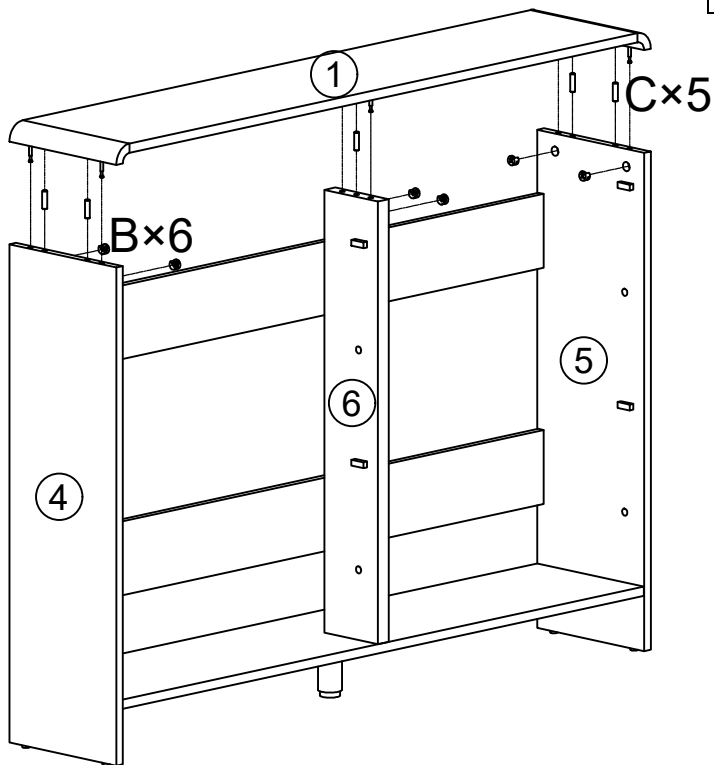
A×10PCS	B×4PCS	C×4PCS	Q×2PCS	R×2PCS
				
M6×35mm	Ø15×12mm	Ø8×30mm		Ø4×14mm

# 7.

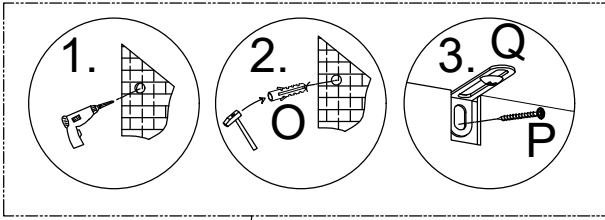


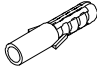

# 8.

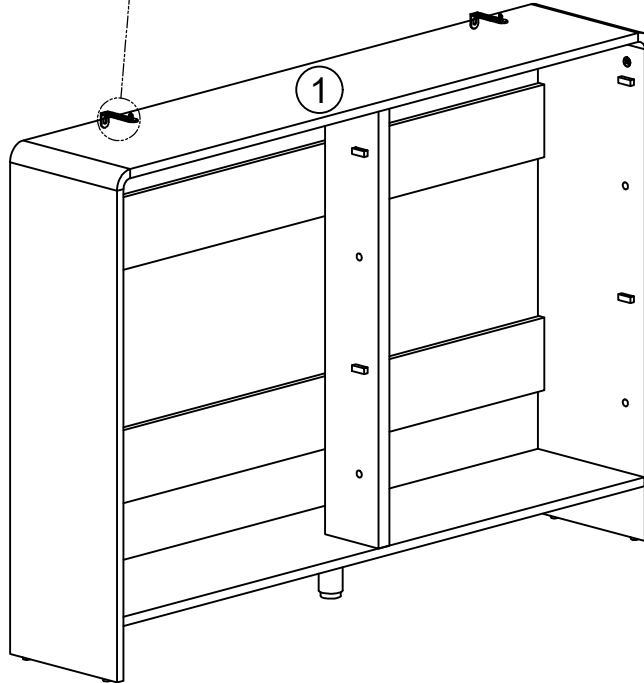
B×6PCS	C×5PCS
	
Ø15×12mm	Ø8×30mm






9.

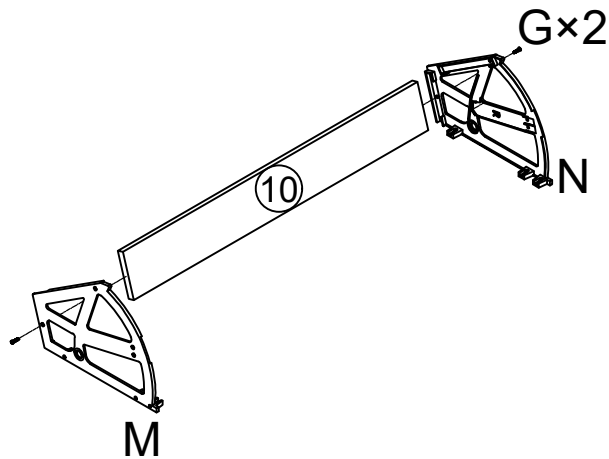


O×2PCS	P×2PCS
 Ø6×30mm	 Ø4×35mm



G×8PCS	M×4PCS	N×4PCS
 Ø3.5×14mm		

10.



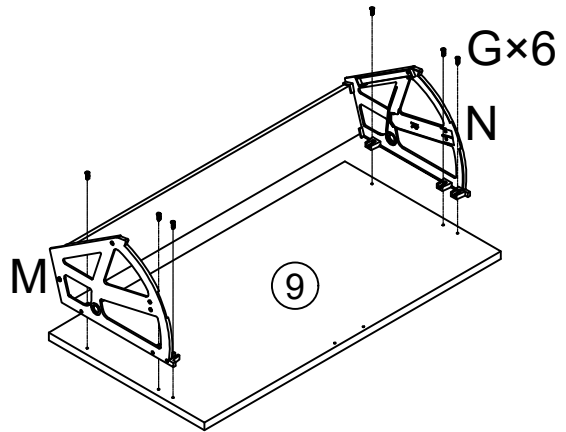
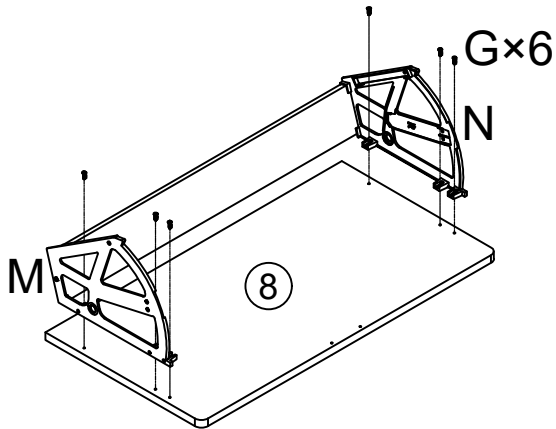
×4

G×24PCS



Ø3.5×14mm

11.



×2

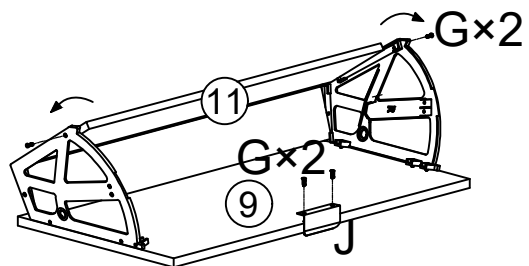
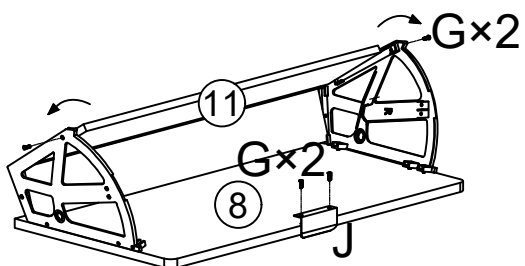
12.

G×16PCS

J×4PCS






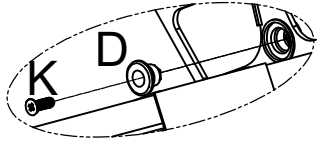
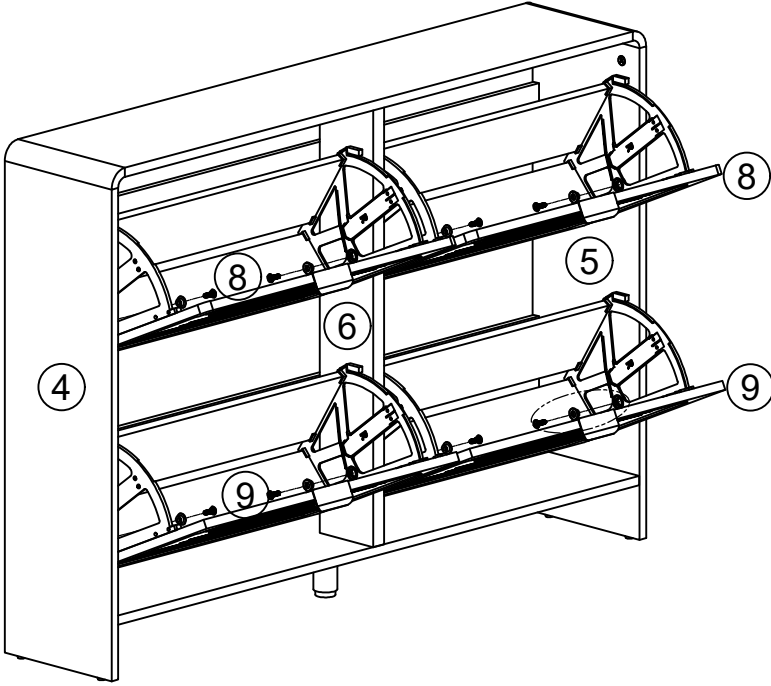
Ø3.5×14mm



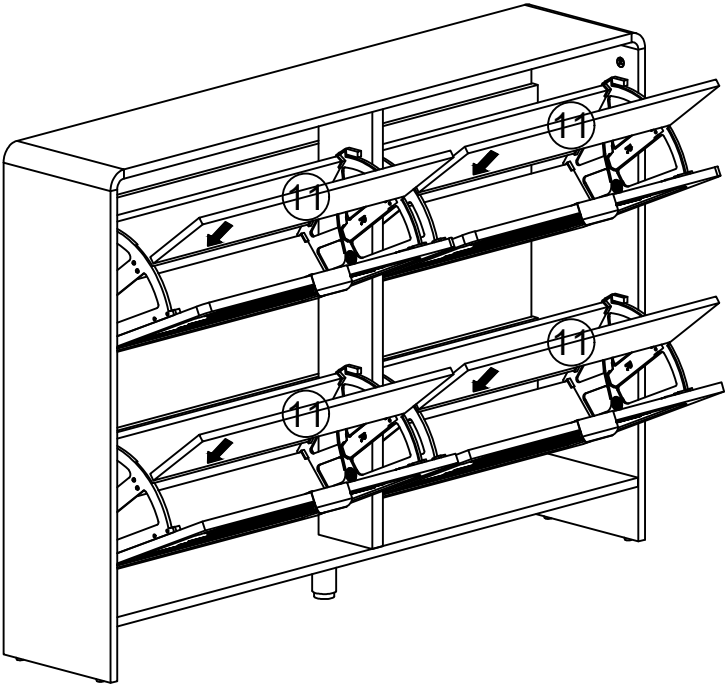
×2

13.

D×8PCS	K×8PCS	L×1PC
	 M6×18mm	 M4mm



14.

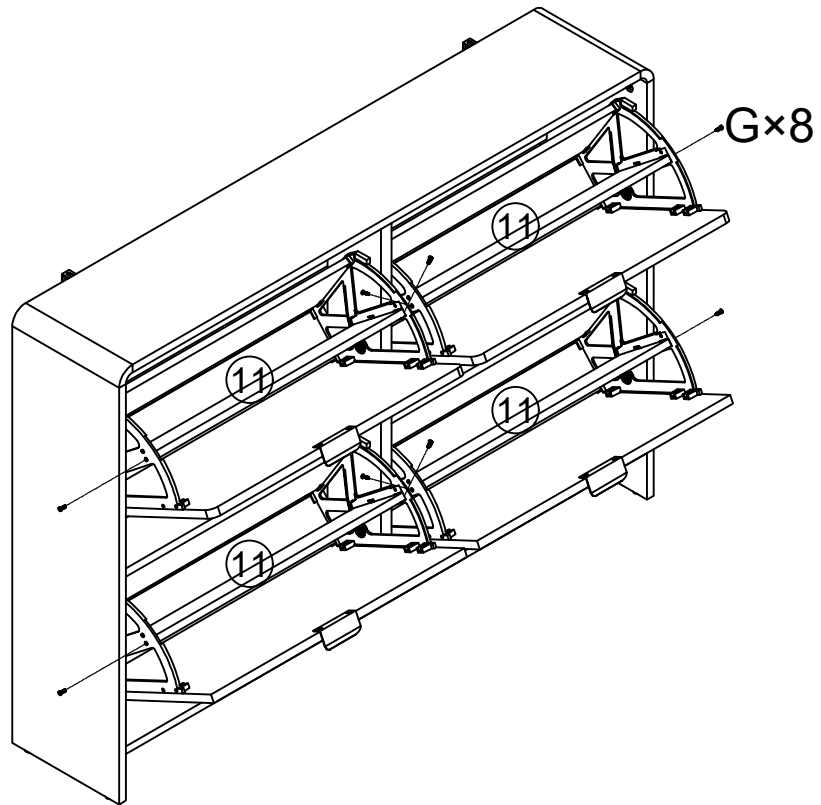


G×8PCS



Ø3.5×14mm

15.



16.

