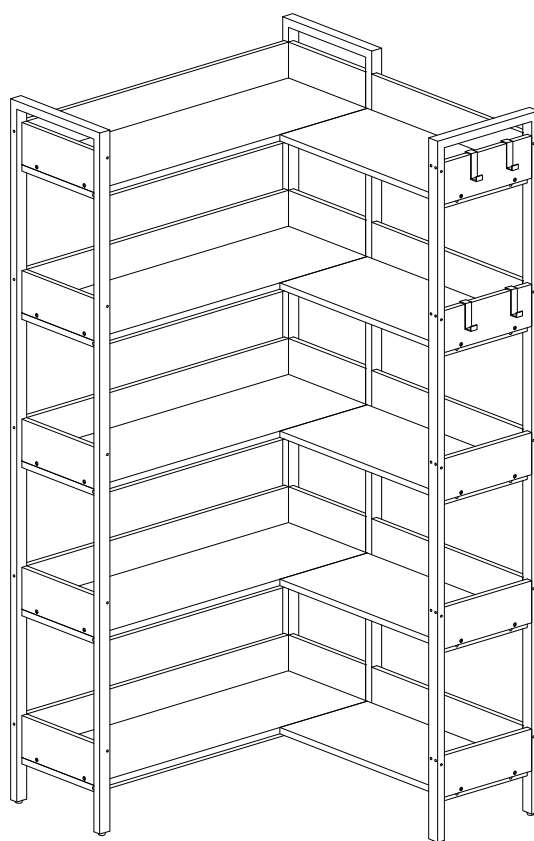
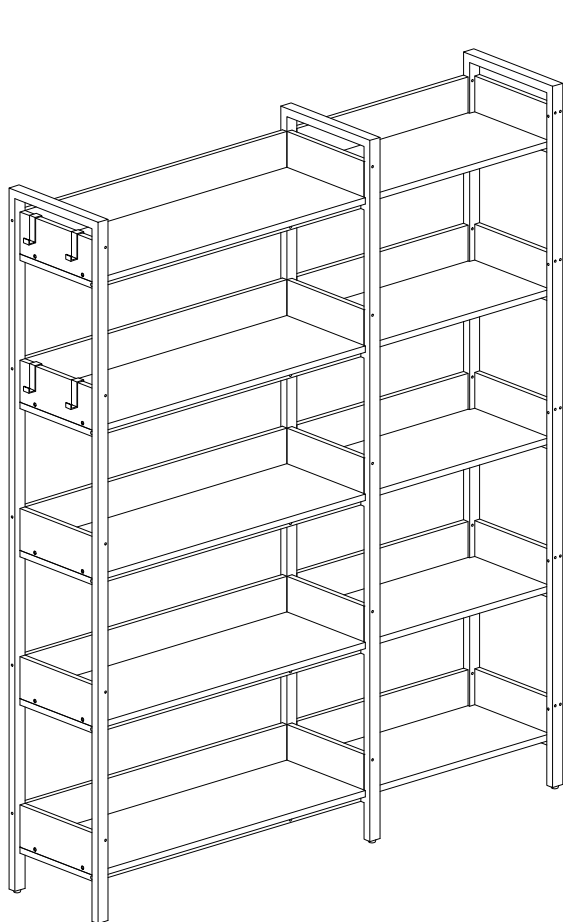
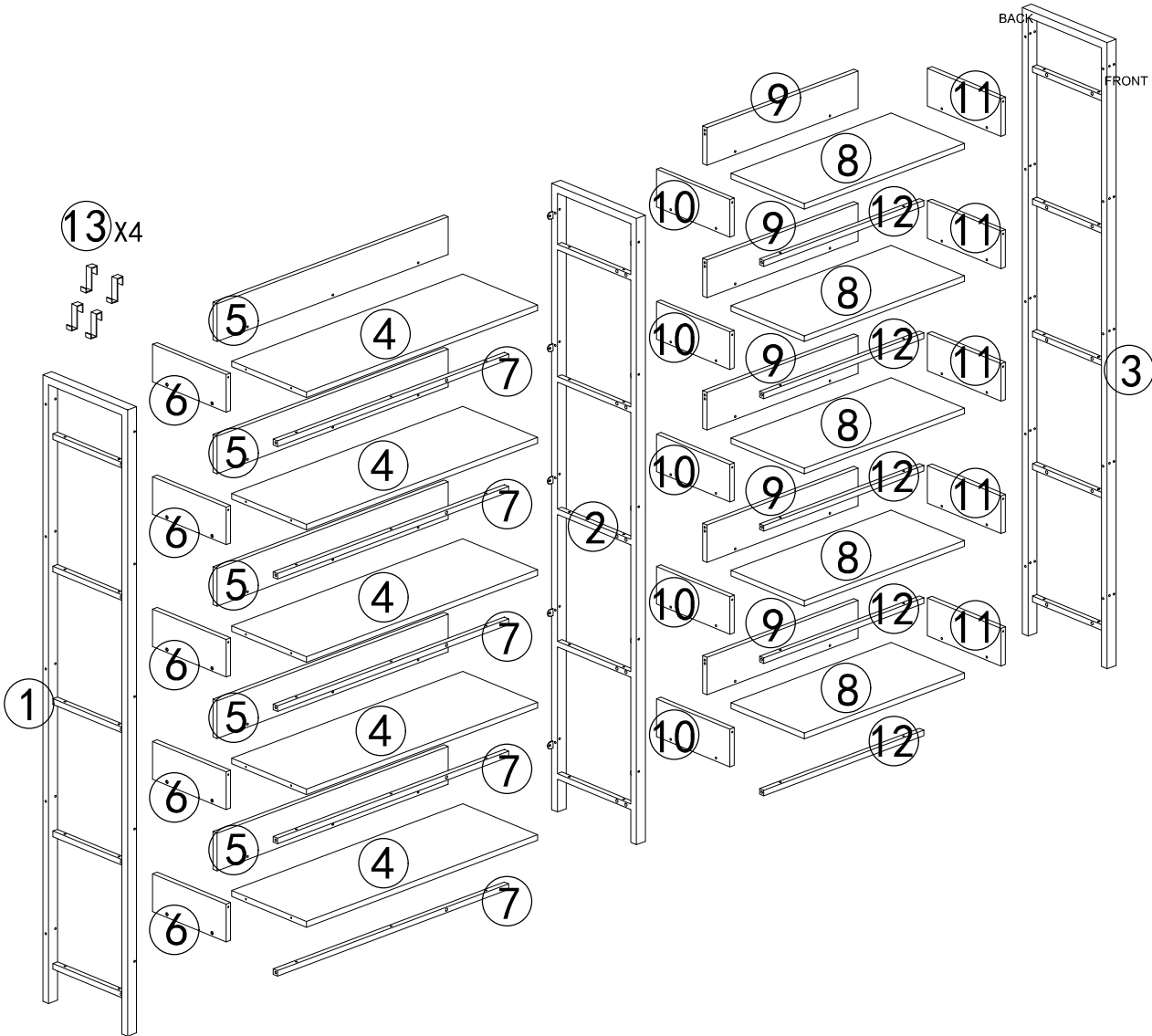


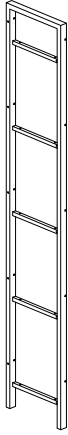
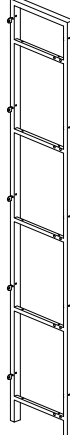
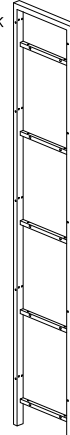
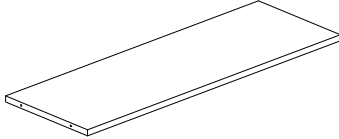
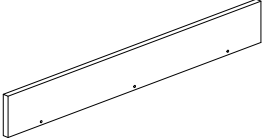
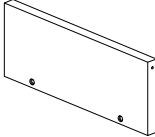
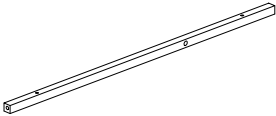
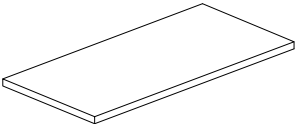
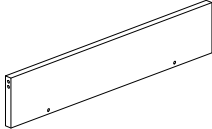
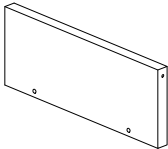
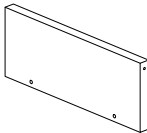
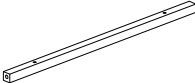

Assembly Instructions



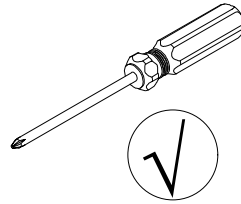
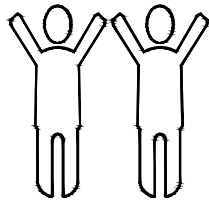
Parts List

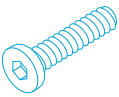
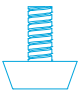
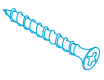
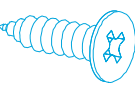
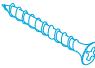
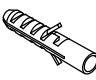

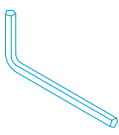
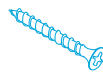


Parts List

<p>1</p>  <p>1 PC</p>	<p>2</p>  <p>1 PC</p>	<p>3</p>  <p>1 PC</p>
<p>4</p>  <p>5 PC</p>	<p>5</p>  <p>5 PC</p>	<p>6</p>  <p>5 PC</p>
<p>7</p>  <p>5 PC</p>	<p>8</p>  <p>5 PC</p>	<p>9</p>  <p>5 PC</p>
<p>10</p>  <p>5 PC</p>	<p>11</p>  <p>5 PC</p>	<p>12</p>  <p>5 PC</p>
<p>13</p>  <p>4 PC</p>		

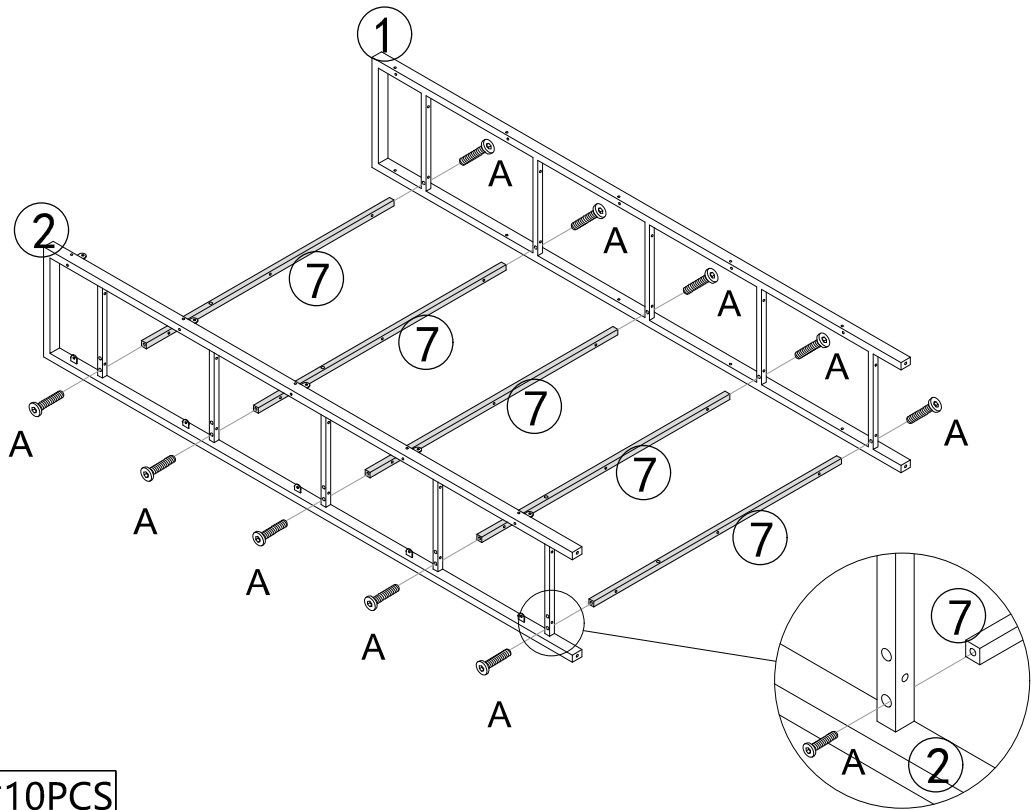
Hardware List



<p>A</p>  <p>M6*30MM 20PCS</p>	<p>B</p>  <p>Ø14/Ø19*7/15MM 6PCS</p>	<p>C</p>  <p>Ø4*40MM 113PCS</p>
<p>D</p>  <p>Ø3.5*14MM 10PCS</p>	<p>E</p>  <p>Ø4*25MM 25PCS</p>	<p>F</p> <p>F1*3 F2*3</p>   <p>3Sets</p>
<p>G</p>  <p>M4 1PCS</p>	<p>H</p>  <p>Ø4*50MM 15PCS</p>	

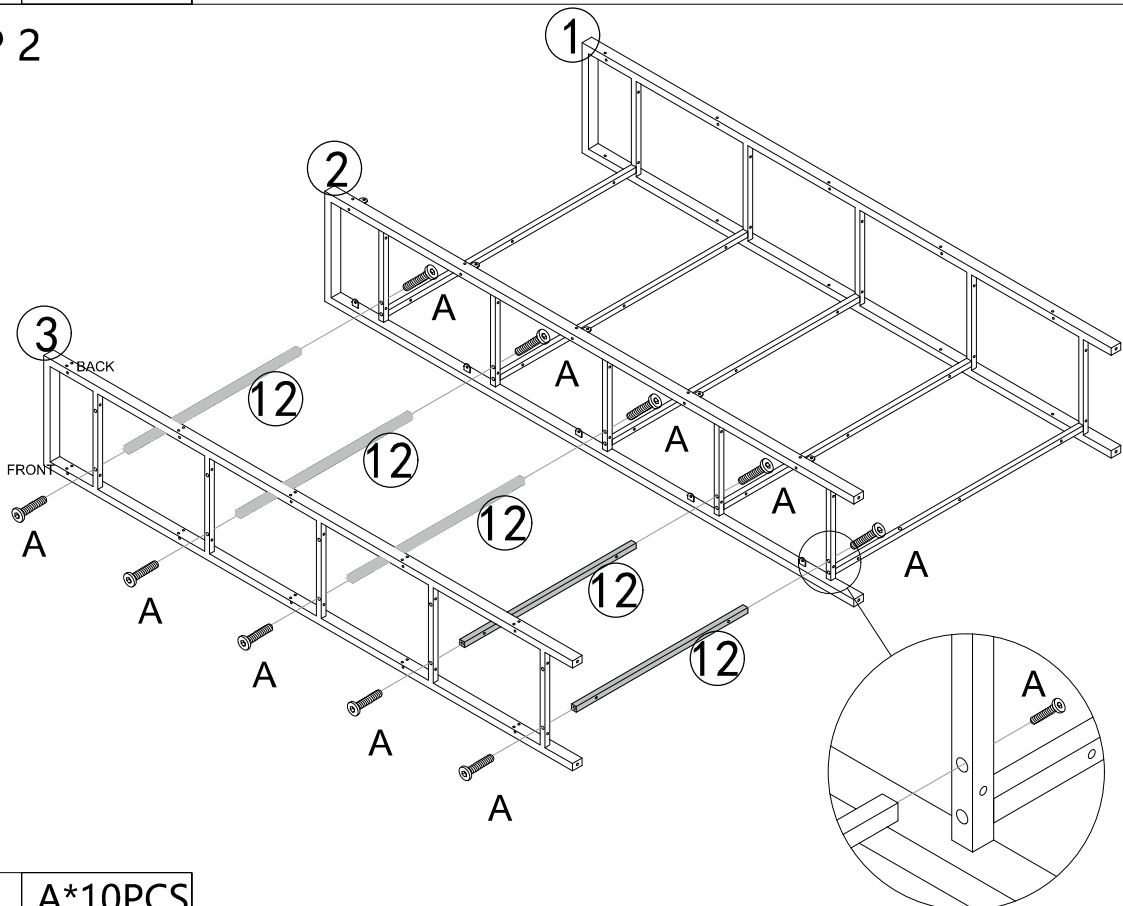
Assembly Steps

STEP 1



A*10PCS

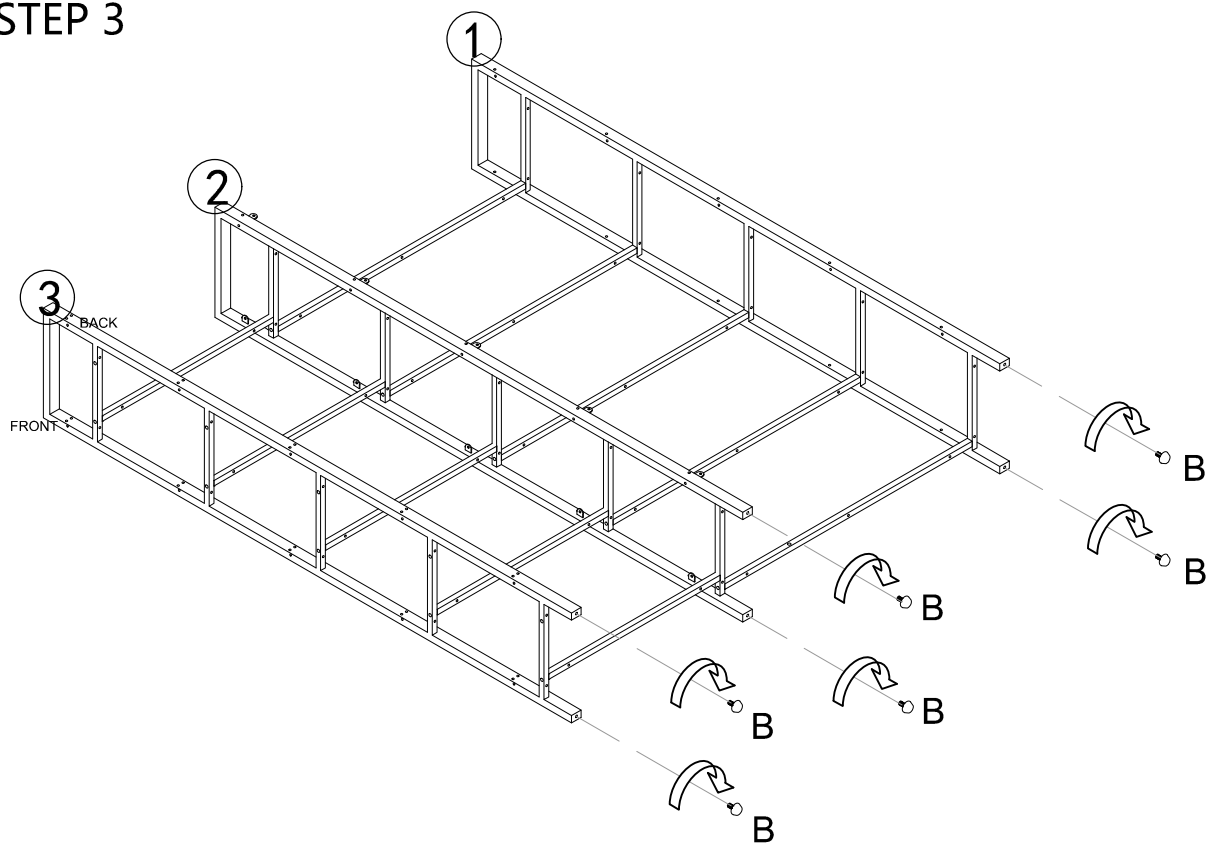
STEP 2



A*10PCS

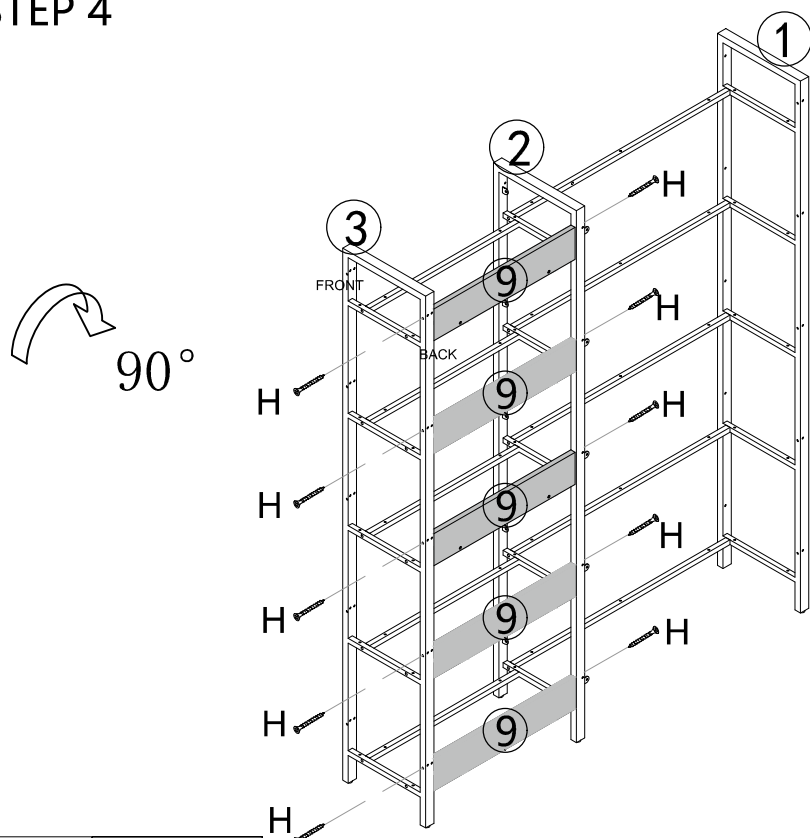
Assembly Steps

STEP 3



B*6PCS

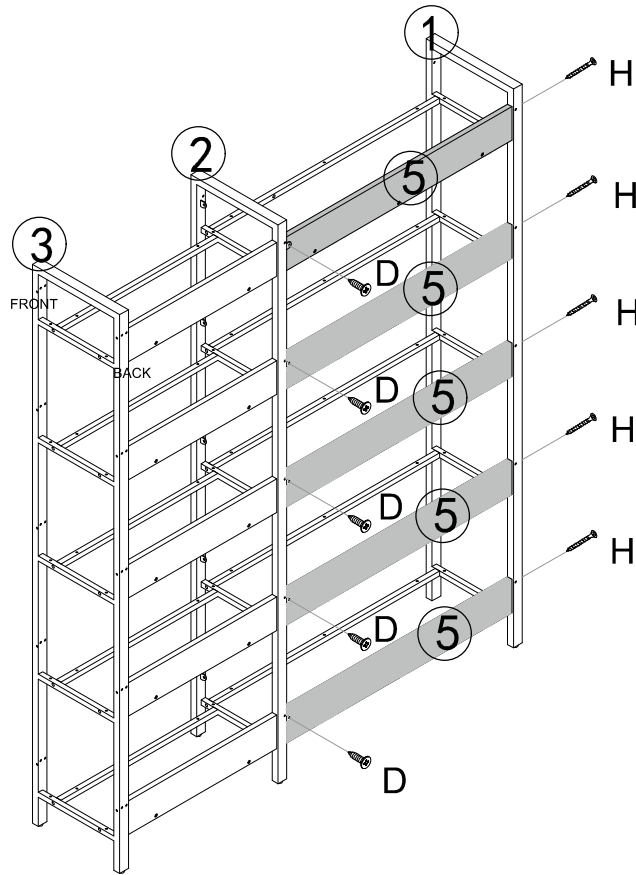
STEP 4





H*10PCS

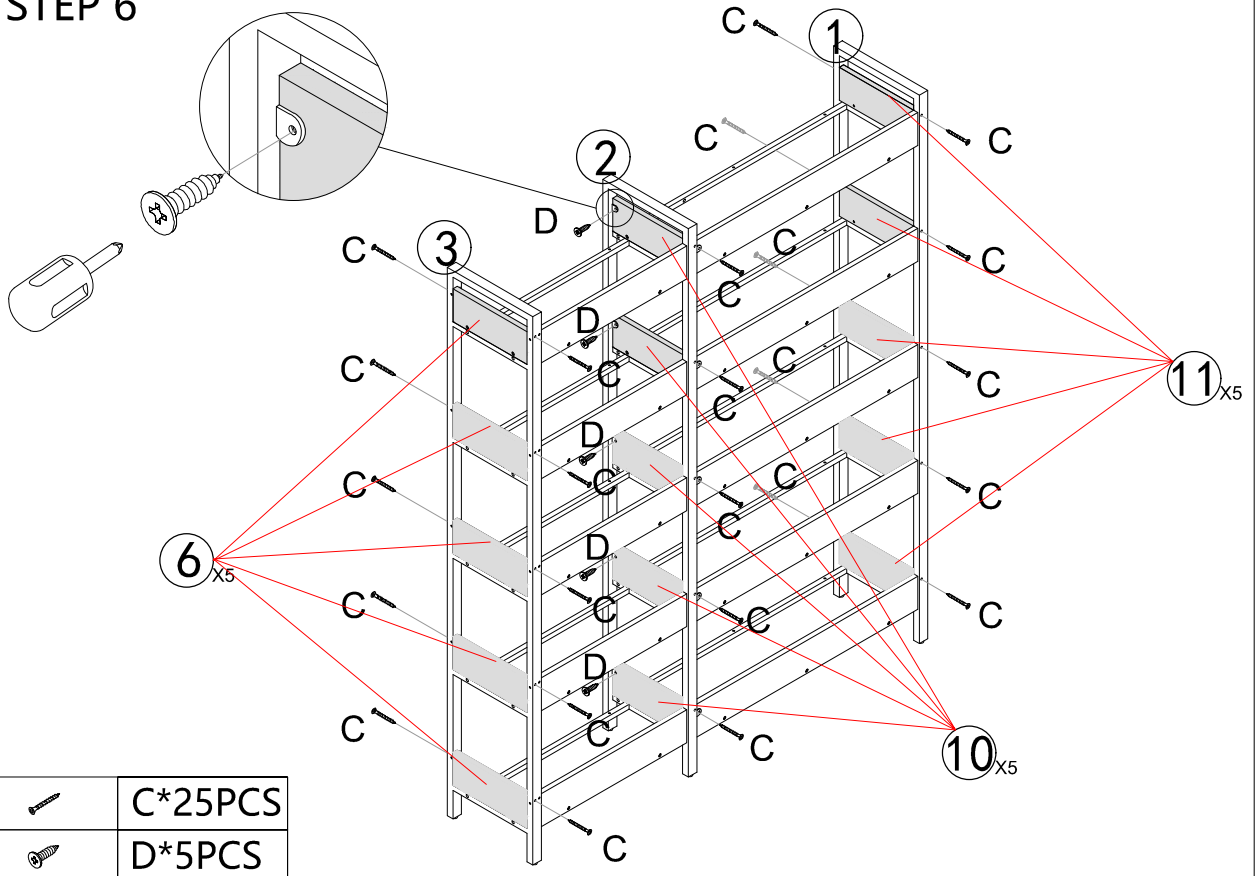
Assembly Steps



STEP 5



	H*5PCS
	D*5PCS

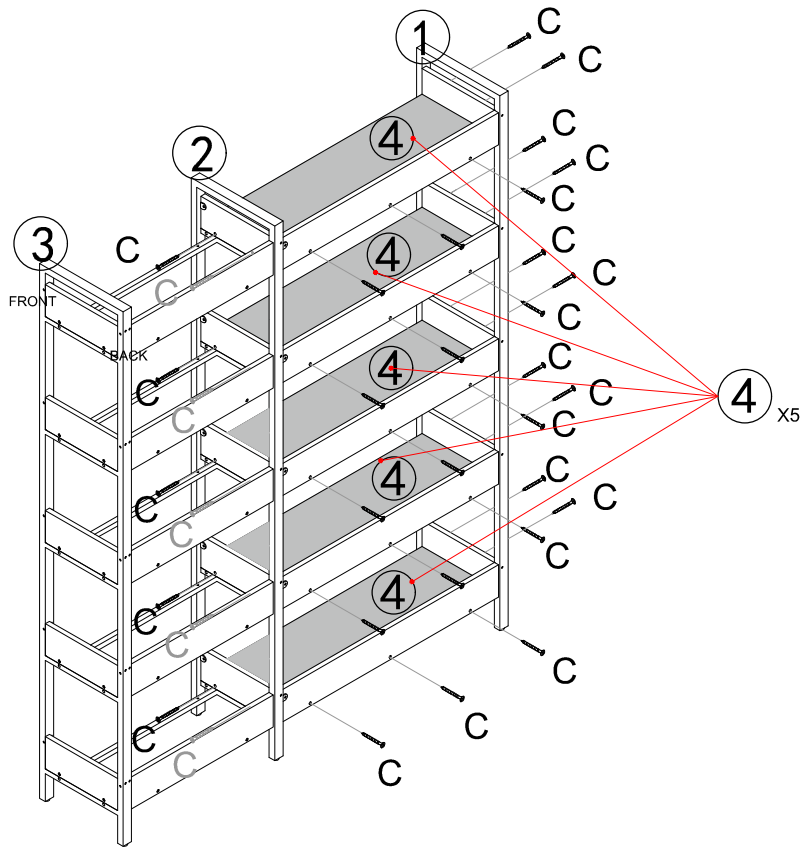
STEP 6



	C*25PCS
	D*5PCS

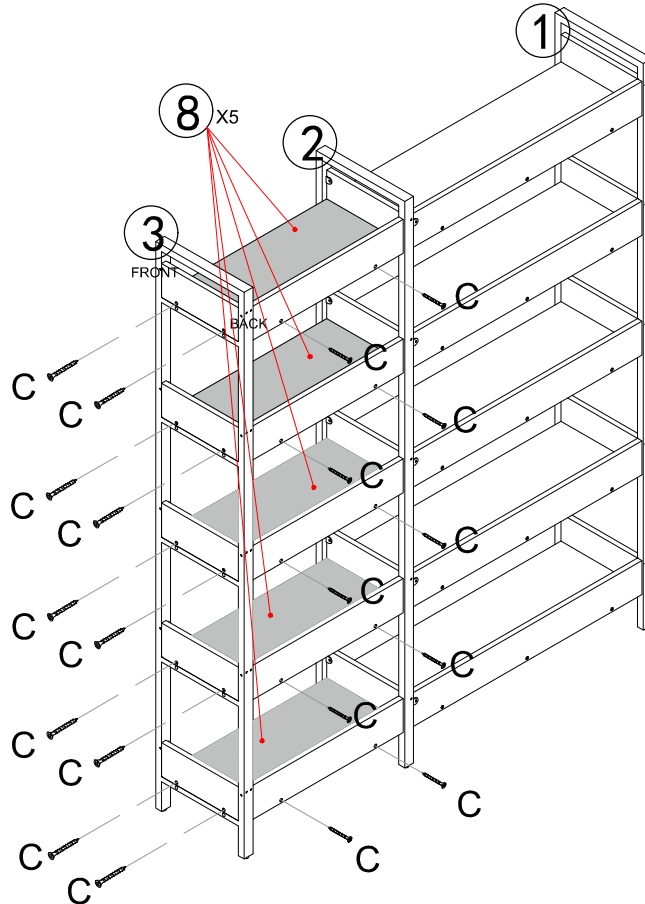
Assembly Steps

STEP 7



C*35PCS

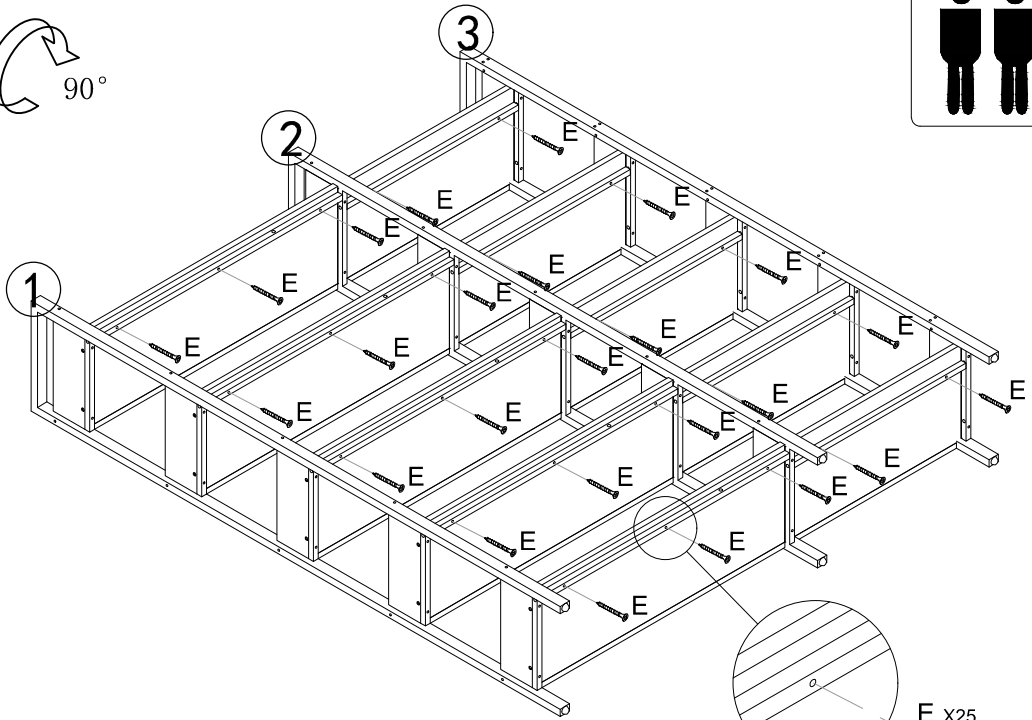
STEP 8



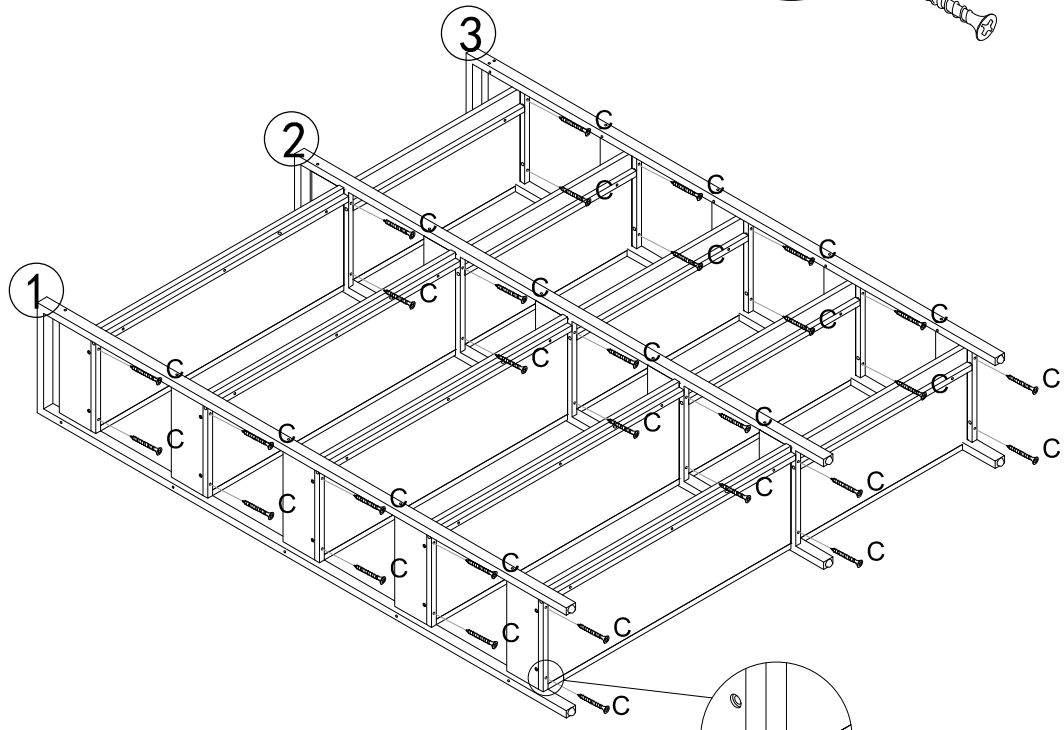
C*20PCS

Assembly Steps

STEP 9



E x25

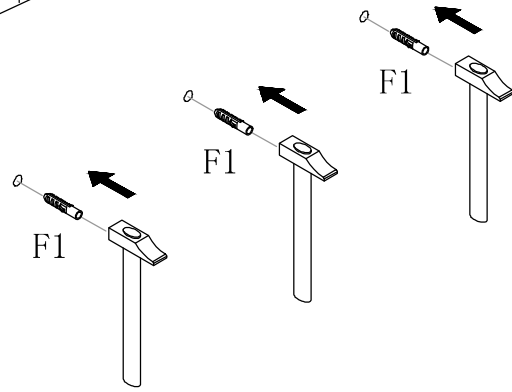
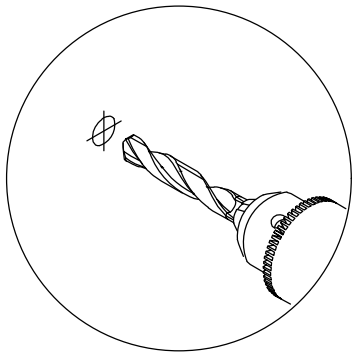


C x30

	C*30PCS
	E*25PCS

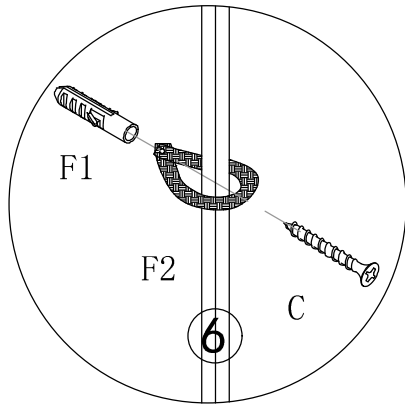
Assembly Steps

STEP 10

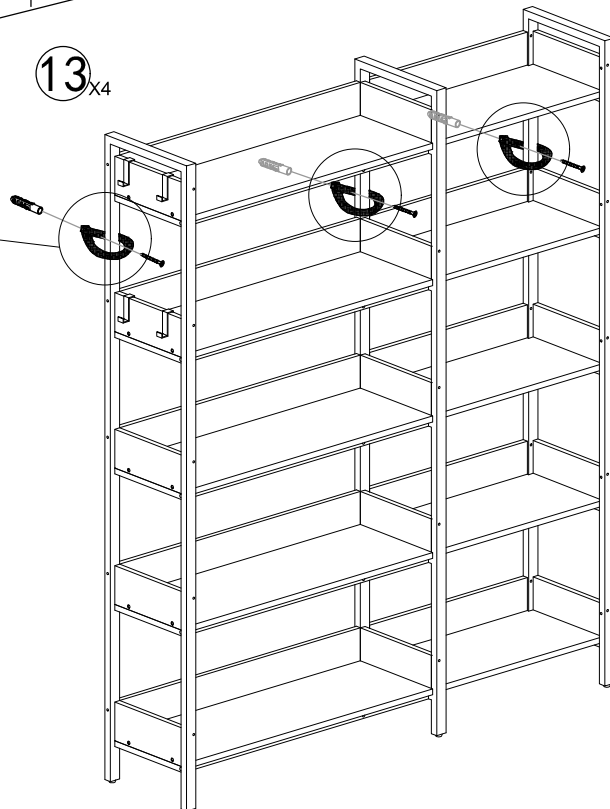


F1*3PCS

STEP 11



13x4

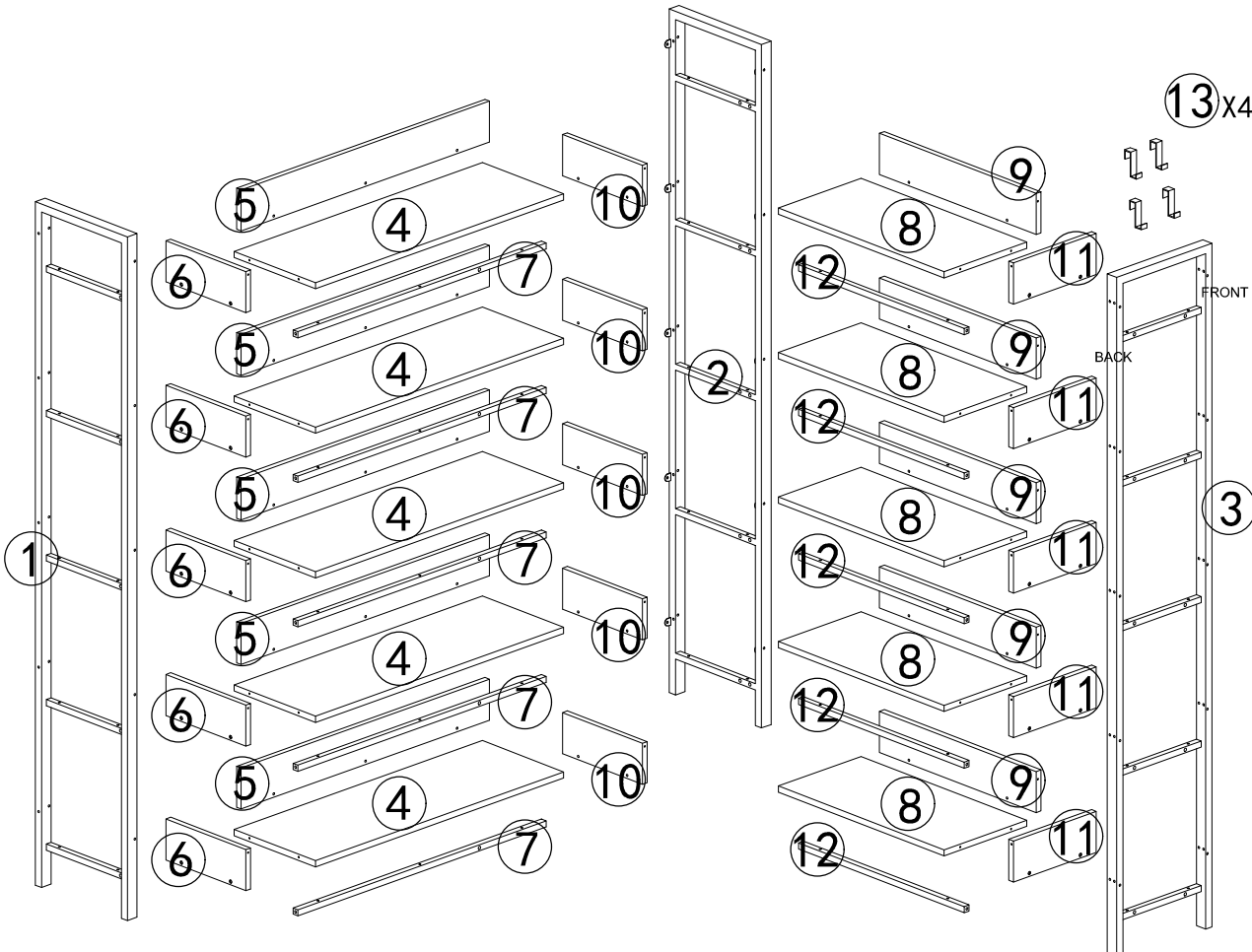


F2*3PCS

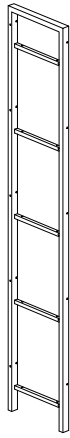
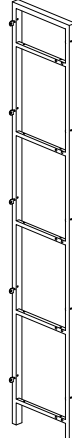
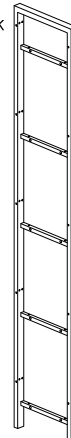
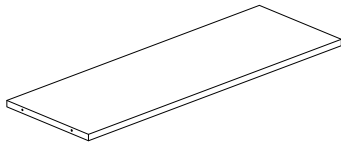
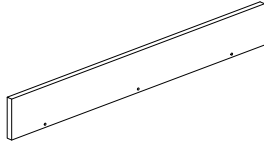
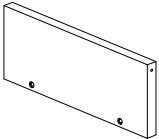
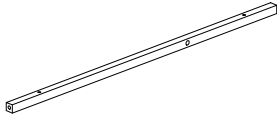
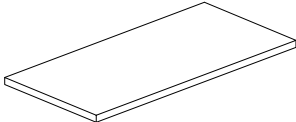
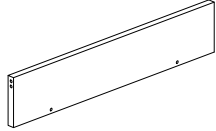
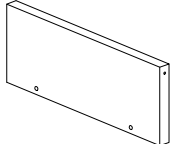
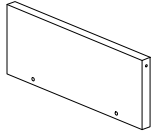
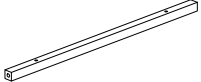
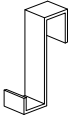


C*3PCS

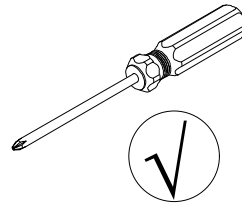
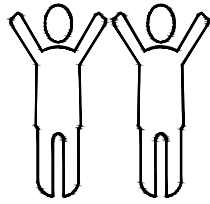
Parts List

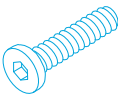
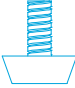
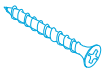
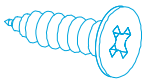
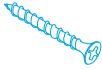
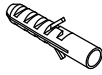

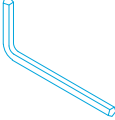
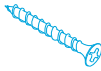


Parts List

<p>1</p>  <p>1 PC</p>	<p>2</p>  <p>1 PC</p>	<p>3</p>  <p>1 PC</p>
<p>4</p>  <p>5 PC</p>	<p>5</p>  <p>5 PC</p>	<p>6</p>  <p>5 PC</p>
<p>7</p>  <p>5 PC</p>	<p>8</p>  <p>5 PC</p>	<p>9</p>  <p>5 PC</p>
<p>10</p>  <p>5 PC</p>	<p>11</p>  <p>5 PC</p>	<p>12</p>  <p>5 PC</p>
<p>13</p>  <p>4 PC</p>		

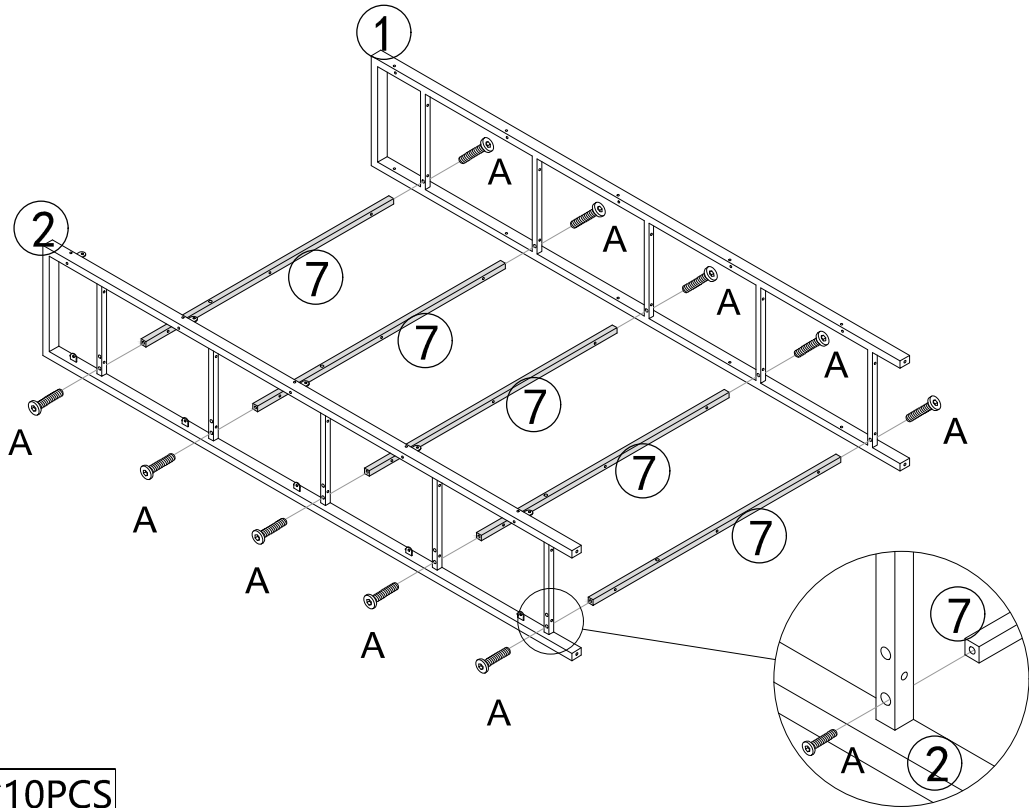
Hardware List



<p>A</p>  <p>M6*30MM 20PCS</p>	<p>B</p>  <p>Ø14/Ø19*7/15MM 6PCS</p>	<p>C</p>  <p>Ø4*40MM 108PCS</p>
<p>D</p>  <p>Ø3.5*14MM 10PCS</p>	<p>E</p>  <p>Ø4*25MM 25PCS</p>	<p>F</p> <p>F1*3 F2*3</p>   <p>3Sets</p>
<p>G</p>  <p>M4 1PCS</p>	<p>H</p>  <p>Ø4*50MM 15PCS</p>	

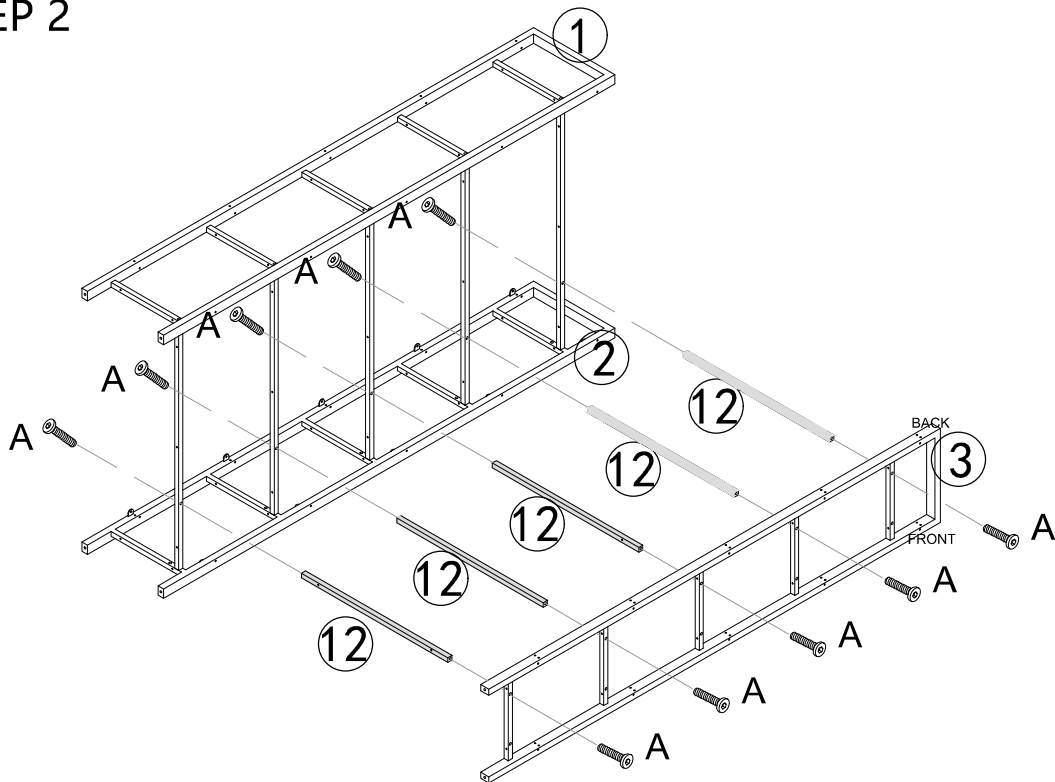
Assembly Steps

STEP 1



A*10PCS

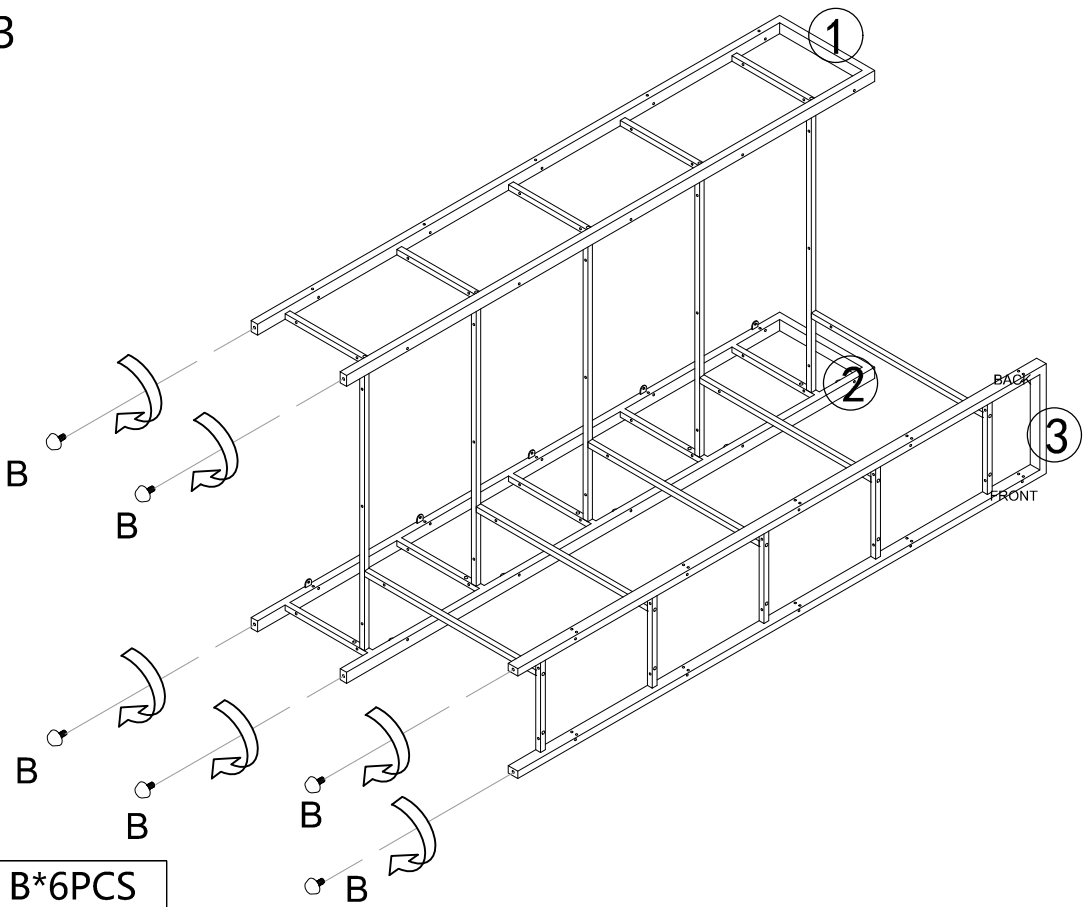
STEP 2



A*10PCS

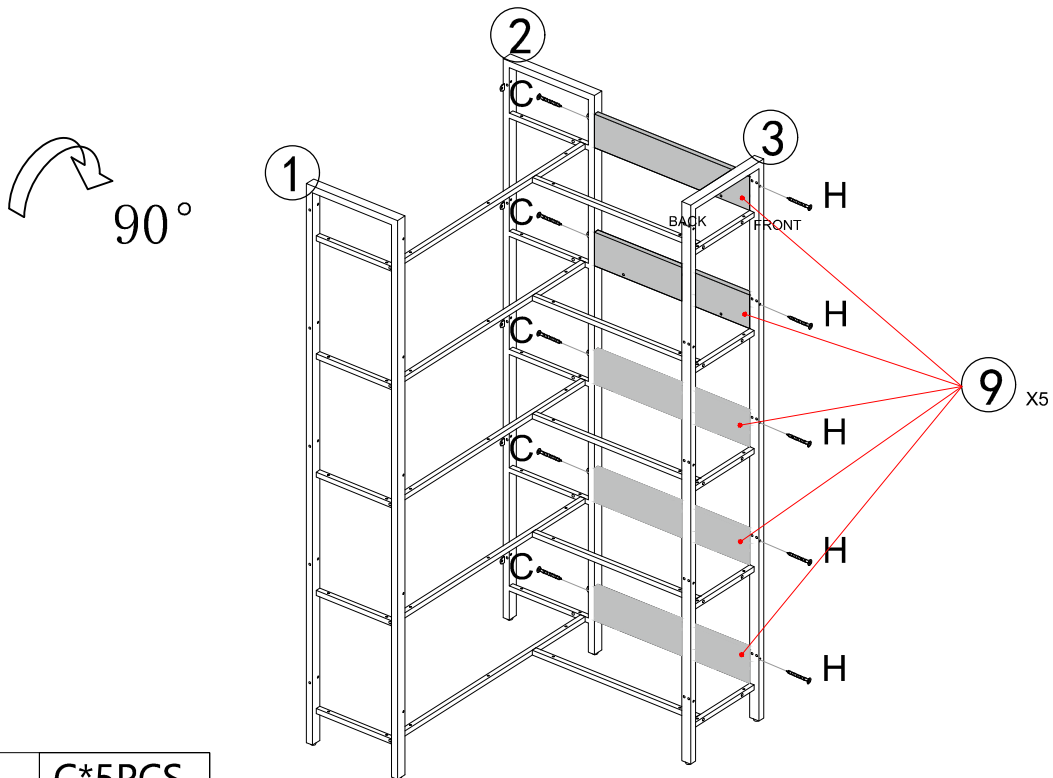
Assembly Steps

STEP 3



B*6PCS

STEP 4



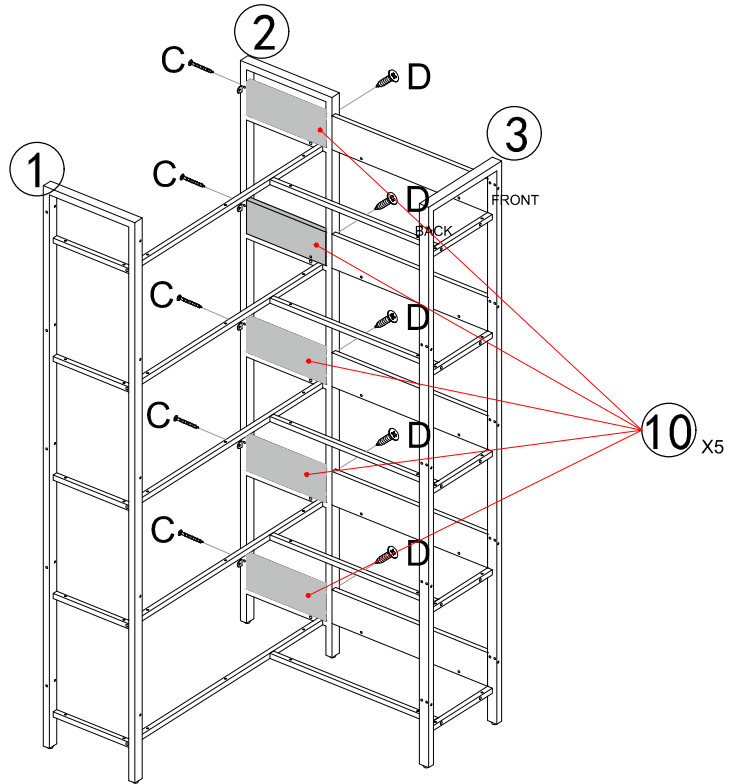
C*5PCS





H*5PCS

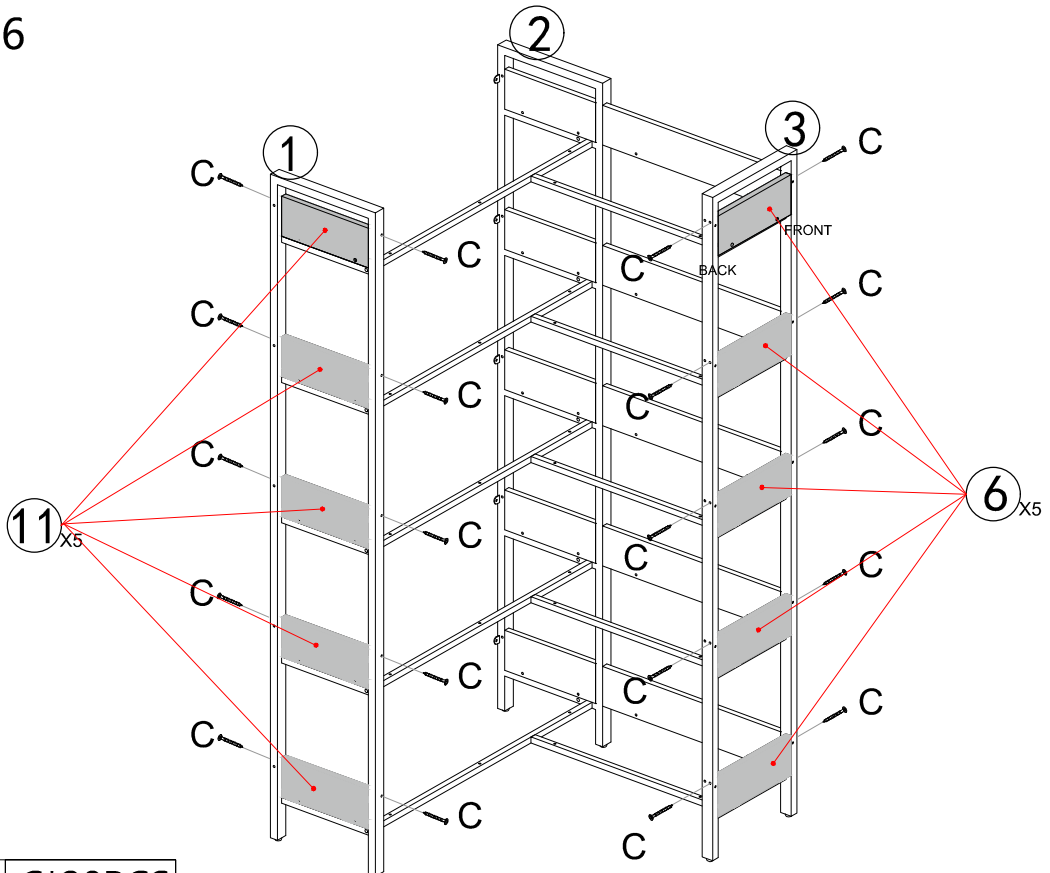
Assembly Steps

STEP 5



	C*5PCS
	D*5PCS

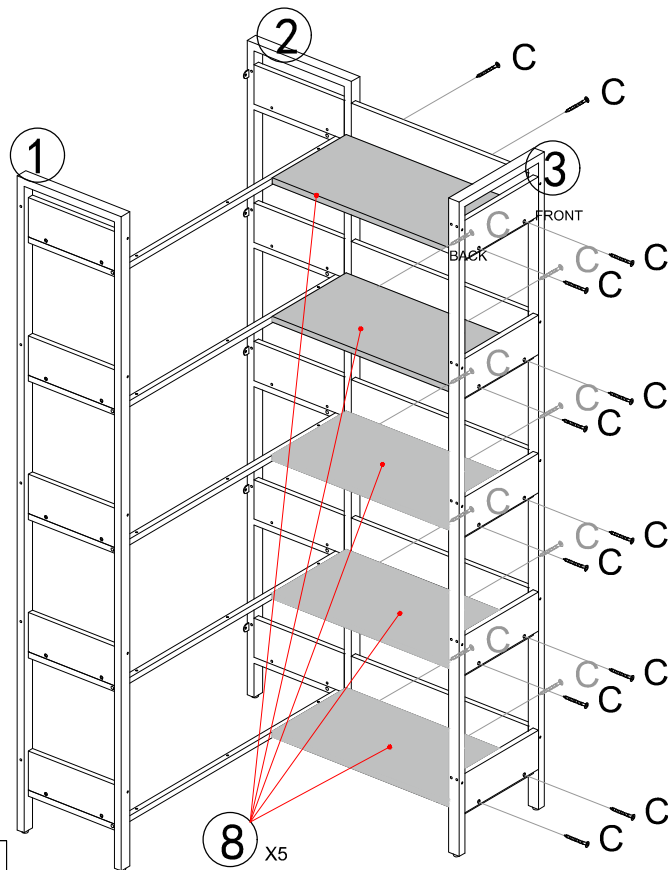
STEP 6



	C*20PCS
---	---------

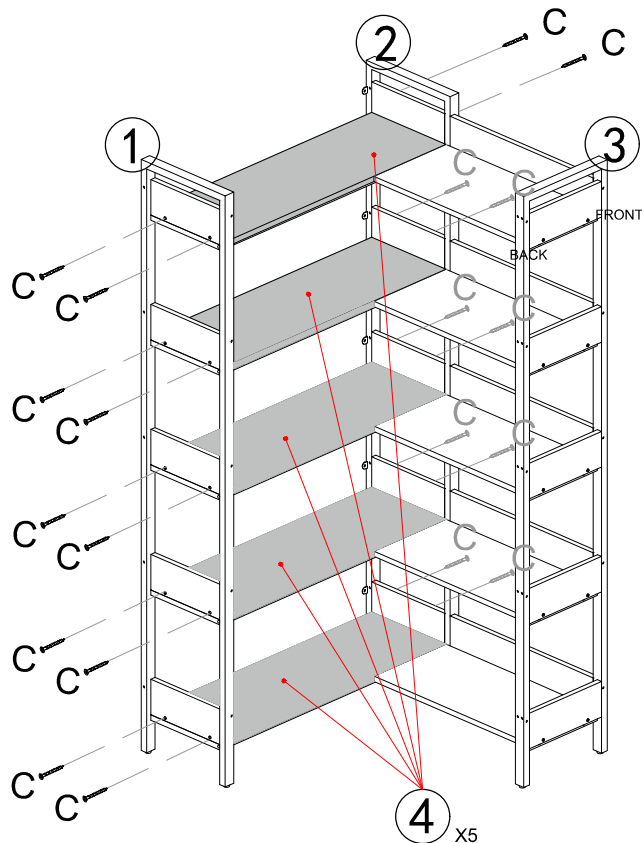
Assembly Steps

STEP 7



C*20PCS

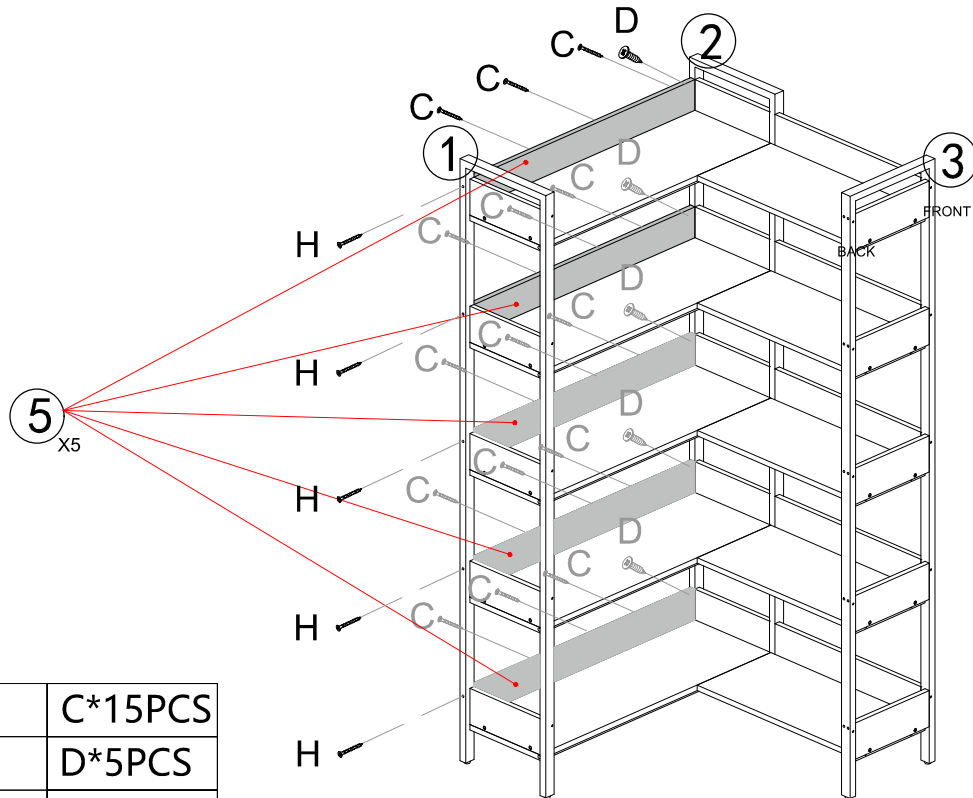
STEP 8






C*20PCS

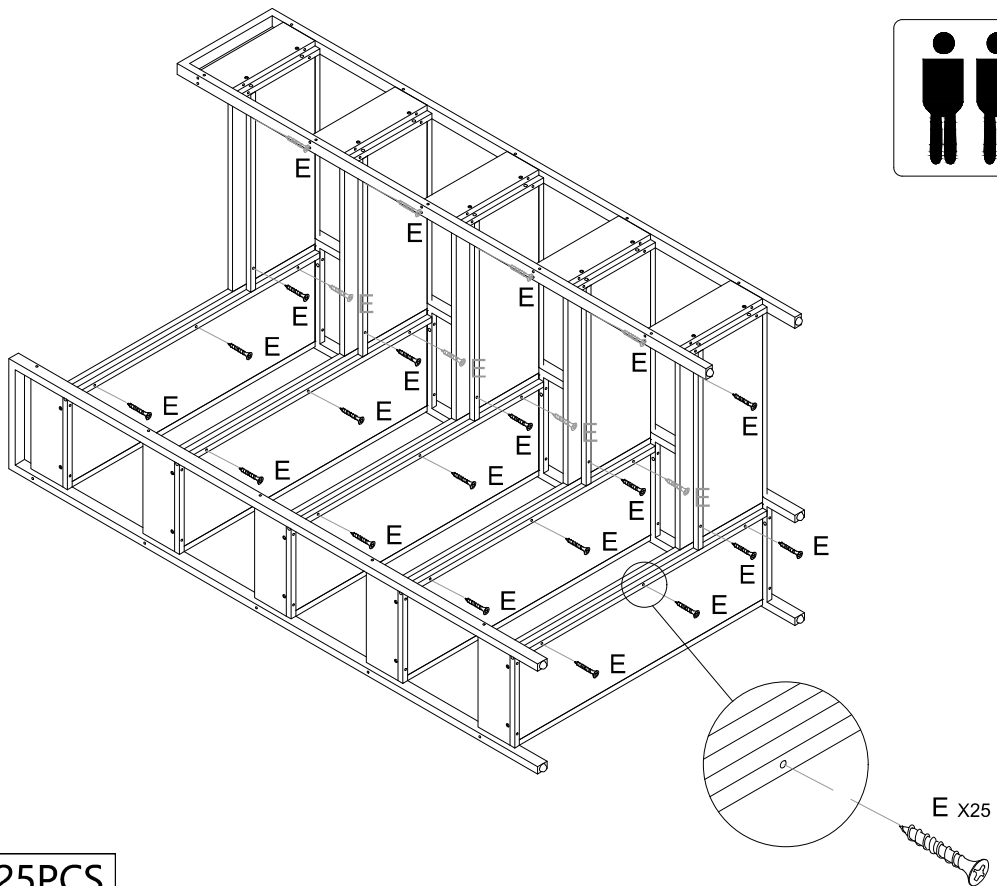
Assembly Steps


STEP 9



	C*15PCS
	D*5PCS
	H*5PCS

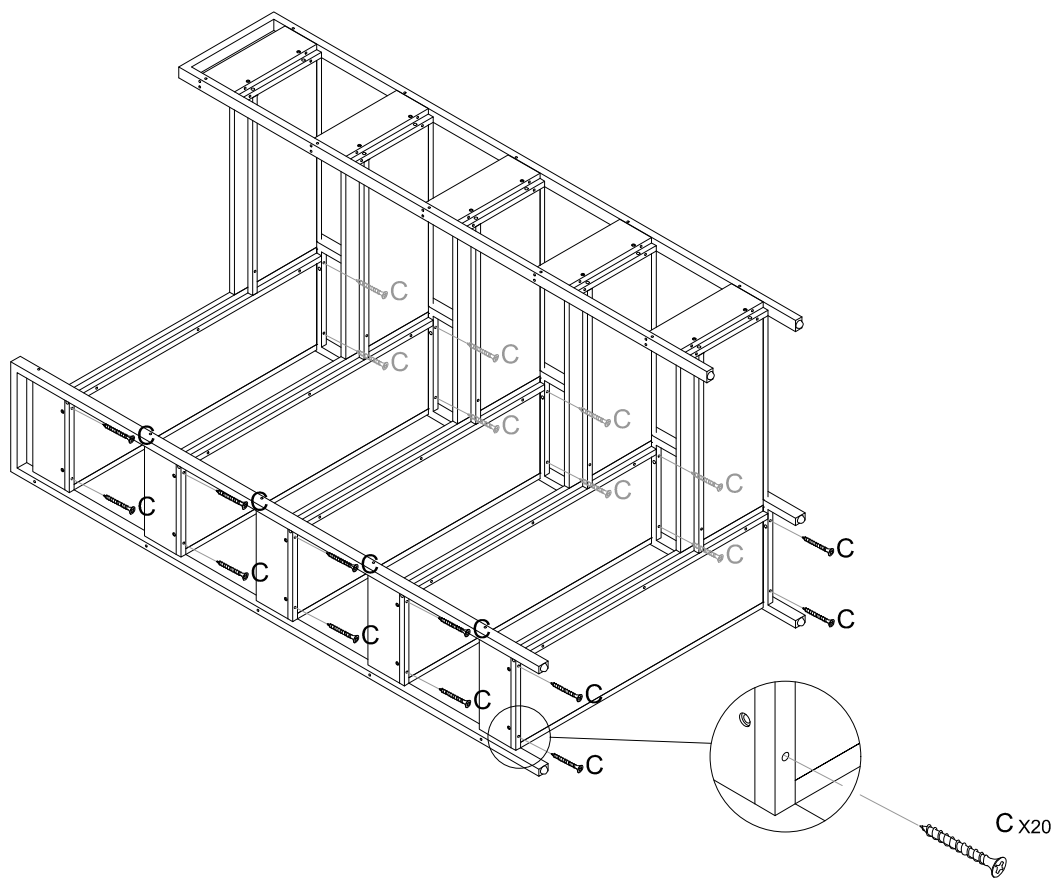
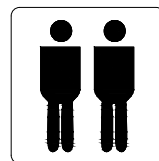
STEP 10



	E*25PCS
---	---------

Assembly Steps

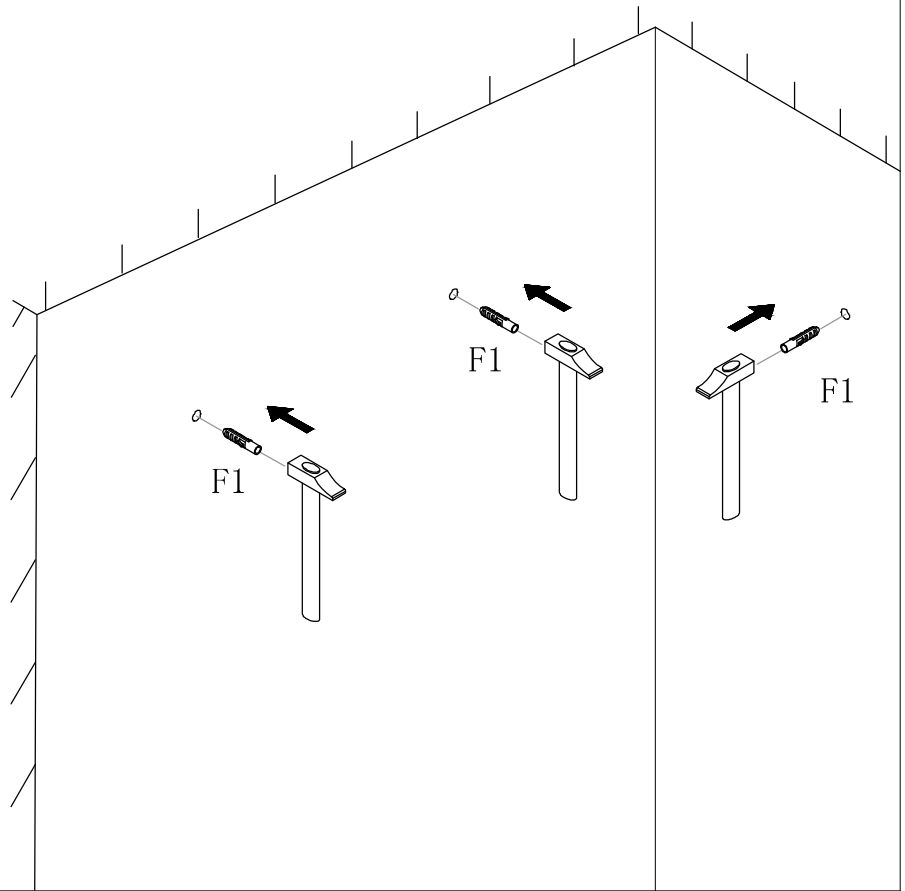
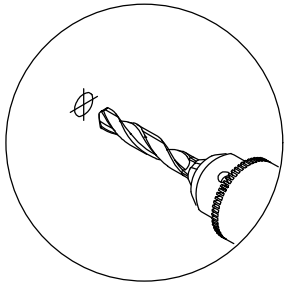
STEP 11



C*20PCS

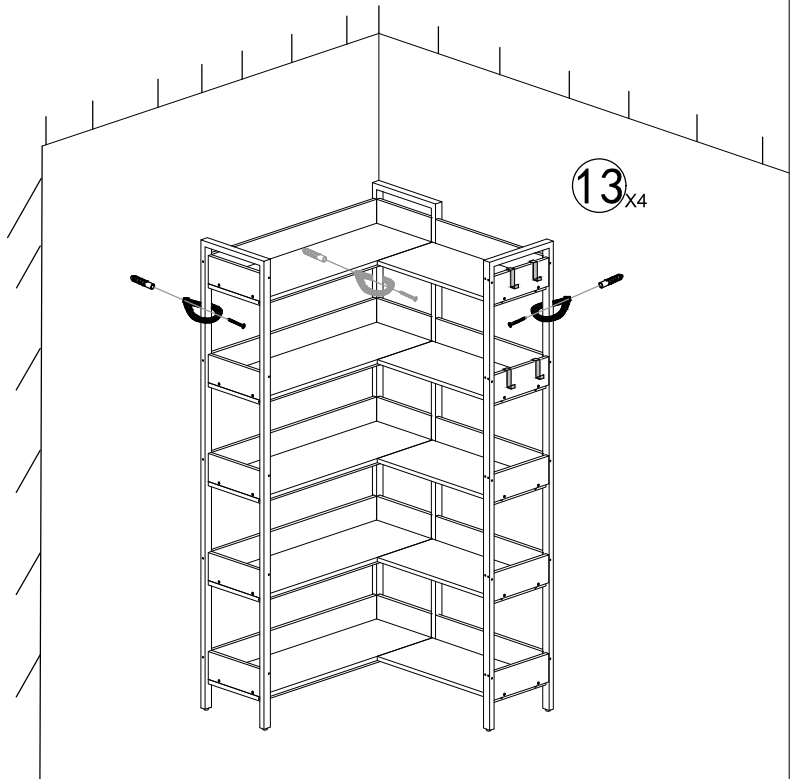
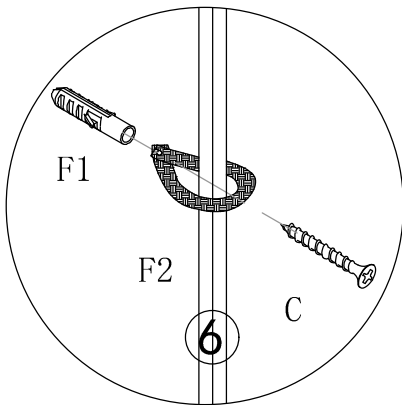
Assembly Steps

STEP 12



F1*3PCS

STEP 13



F2*3PCS



C*3PCS