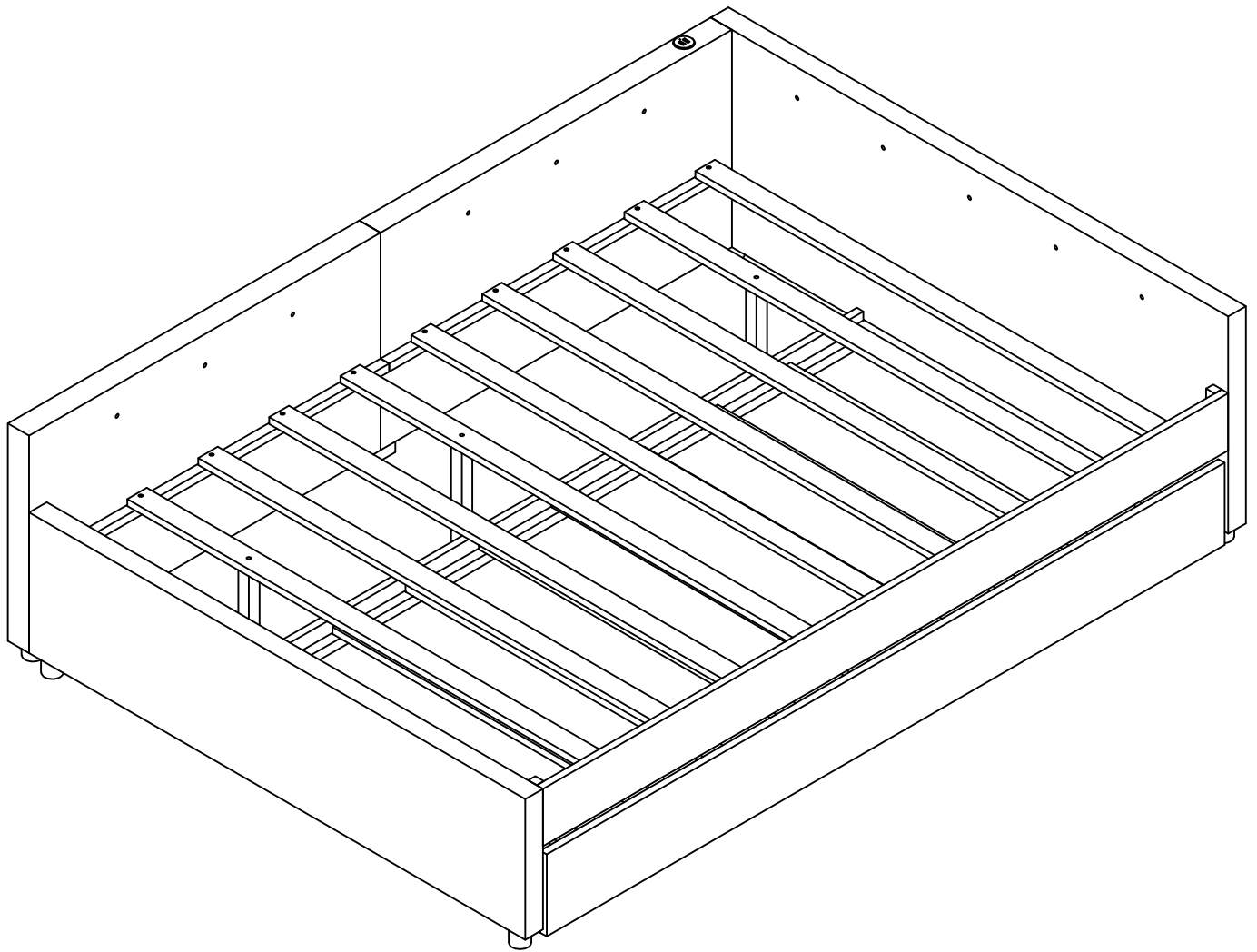
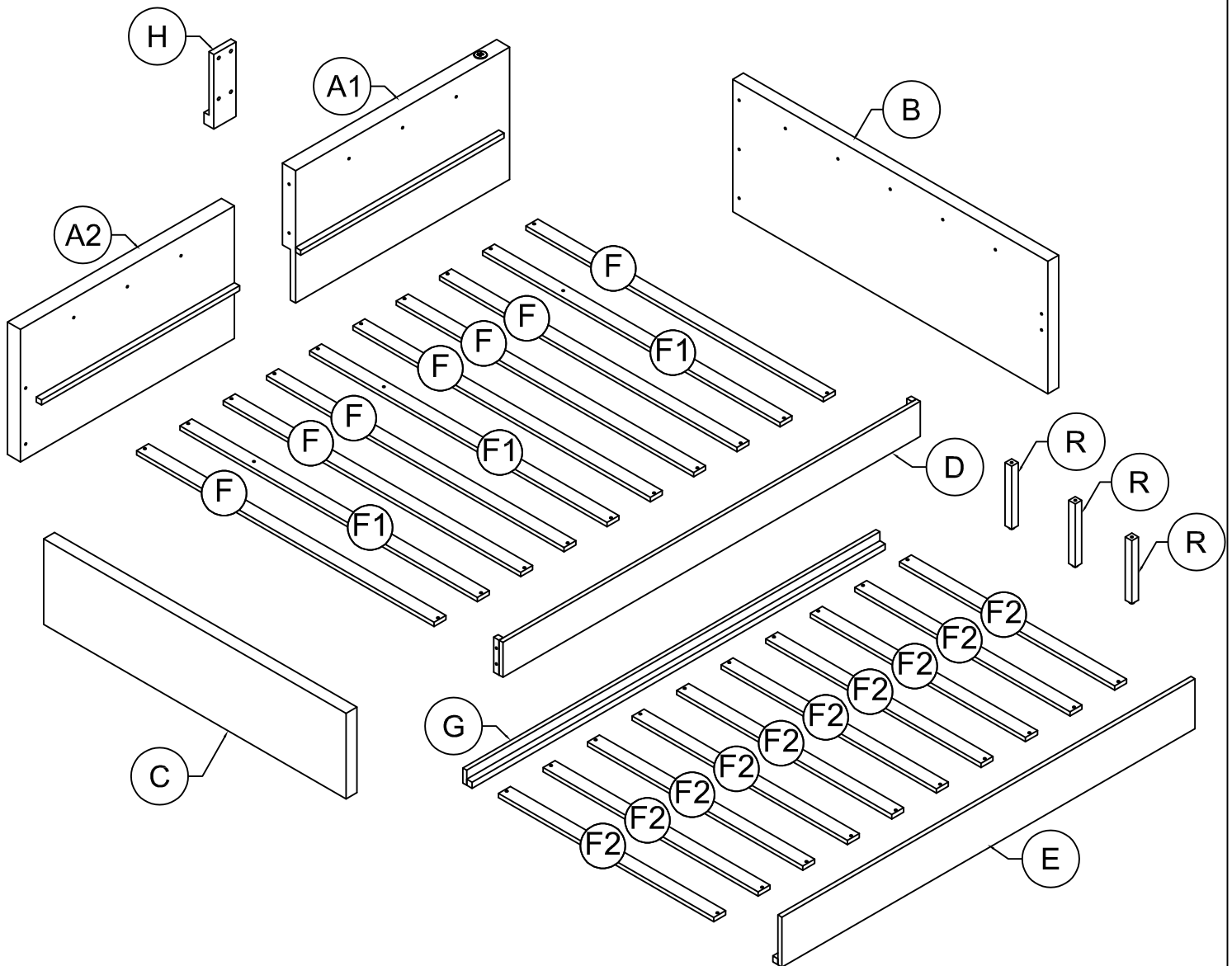


ASSEMBLY INSTRUCTION

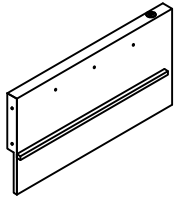


ASSEMBLY INSTRUCTION



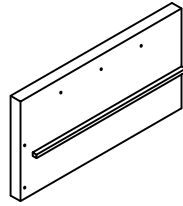
Part List

A1



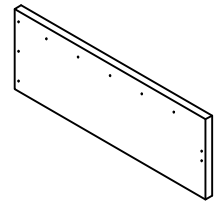
Side Rails - 1pc

A2



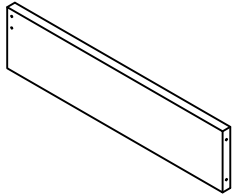
Side Rails - 1pc

B



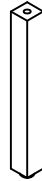
HB Frames - 1pc

C



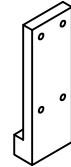
FB Frames - 1pc

R



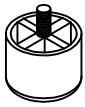

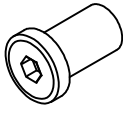
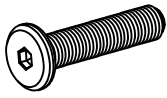
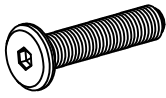
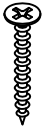

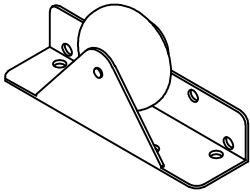

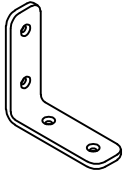
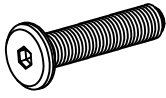
Support Leg - 3pcs

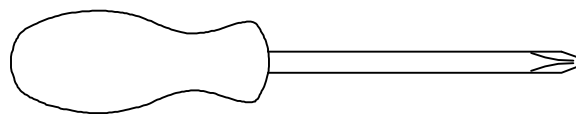
H



Support Leg - 1pcs

Hardware List

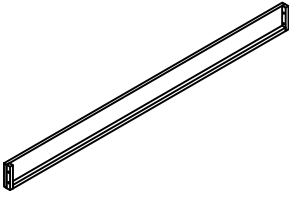
<p>1</p>  <p>Plastic Feet (Ø50x40) 4pcs</p>	<p>2</p>  <p>Allen Key 2pcs</p>	<p>3</p>  <p>1/4" x 15mm Sleeve Nut 5pcs</p>
<p>4</p>  <p>1/4" x 50mm Hex-Head bolts 6pcs</p>	<p>5</p>  <p>1/4" x 40mm Hex-Head bolts 8pcs</p>	<p>6</p>  <p>M4 x 30 mm Wood Screws 40pcs</p>
<p>7</p>  <p>M4 x 15 mm Wood Screws 24pcs</p>	<p>8</p>  <p>Wheels 4pcs</p>	<p>9</p>  <p>Plastic Drawer Stopped 4pcs</p>
<p>10</p>  <p>Steel Bracket 3pcs</p>	<p>11</p>  <p>1/4" x 30mm Hex-Head bolts 4pcs</p>	



Assembly Tools Required (Not Included)

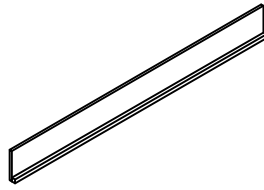
Part List

D



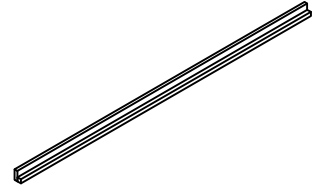
Side Rails - 1pc

E



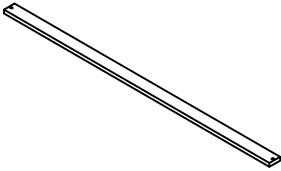
Front Trundle - 1pc

G



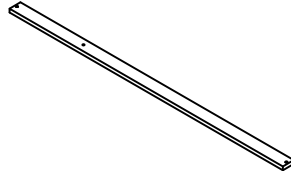
Black Trundle - 1pc

F



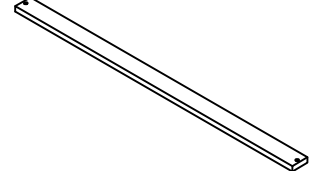
Slats - 7pcs

F1



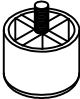
Slats - 3pcs

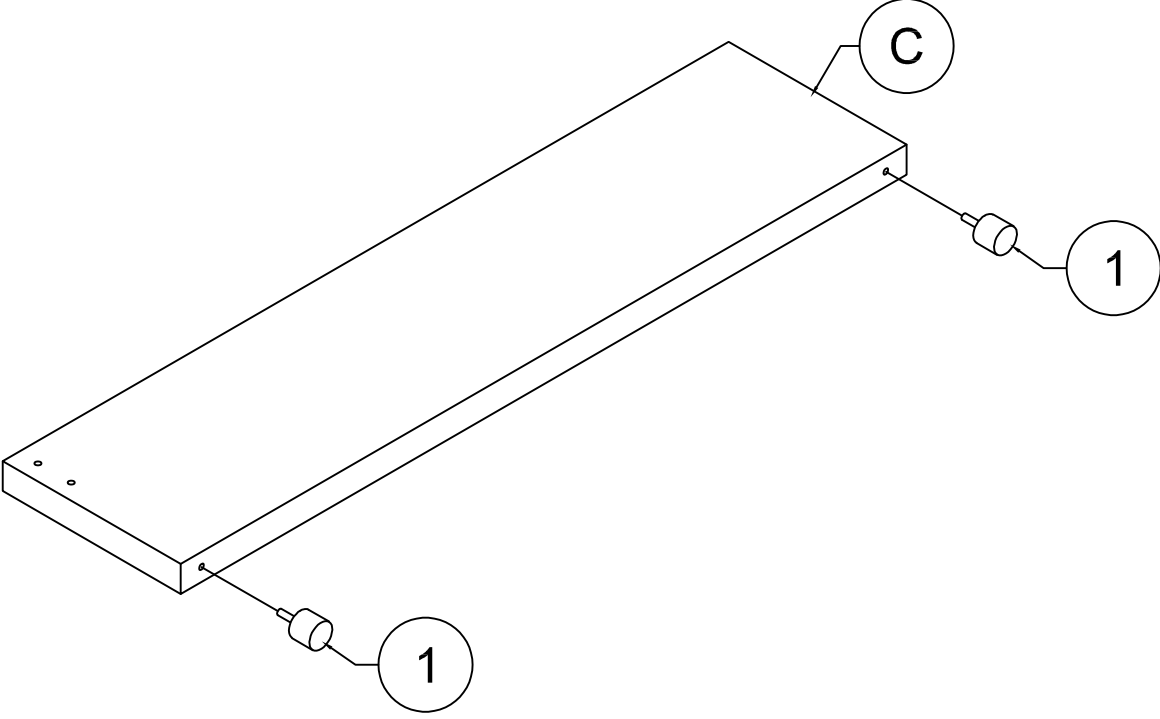
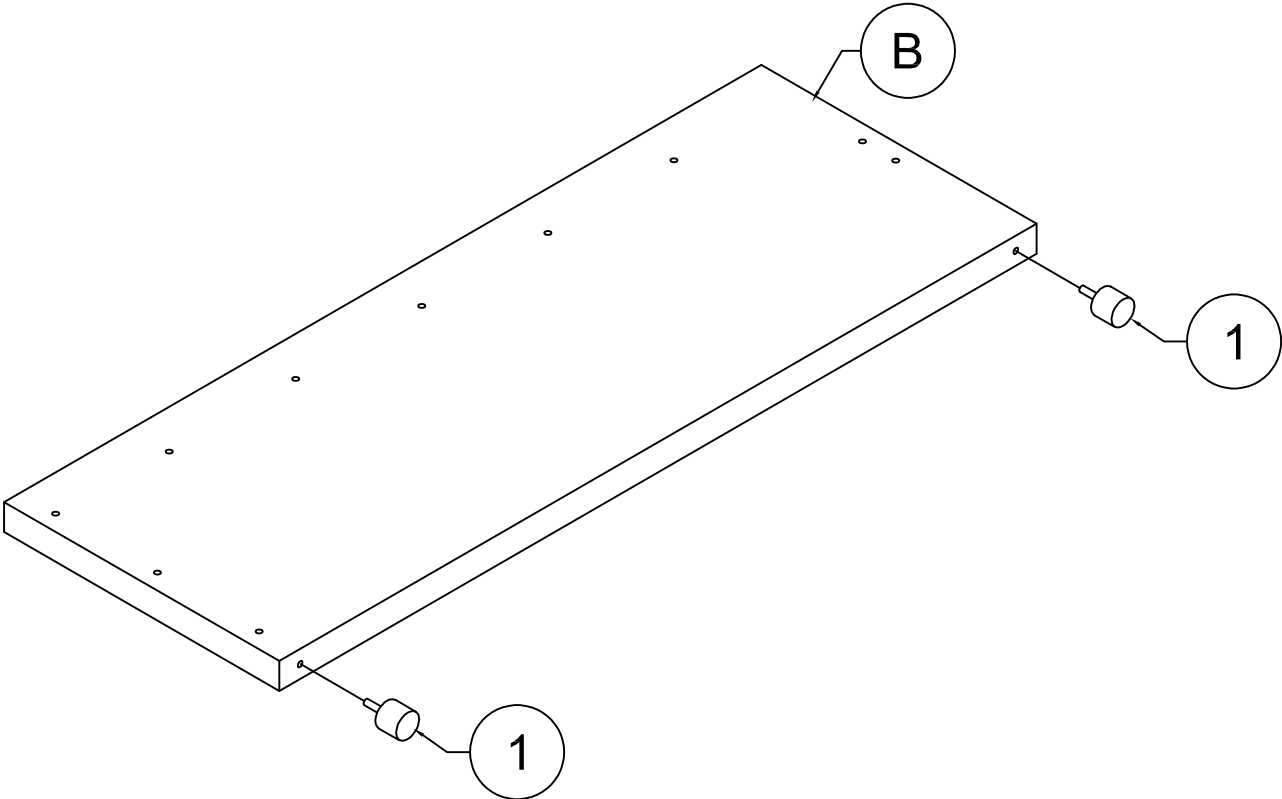
F2



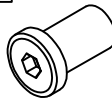
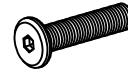

Slats - 10pcs

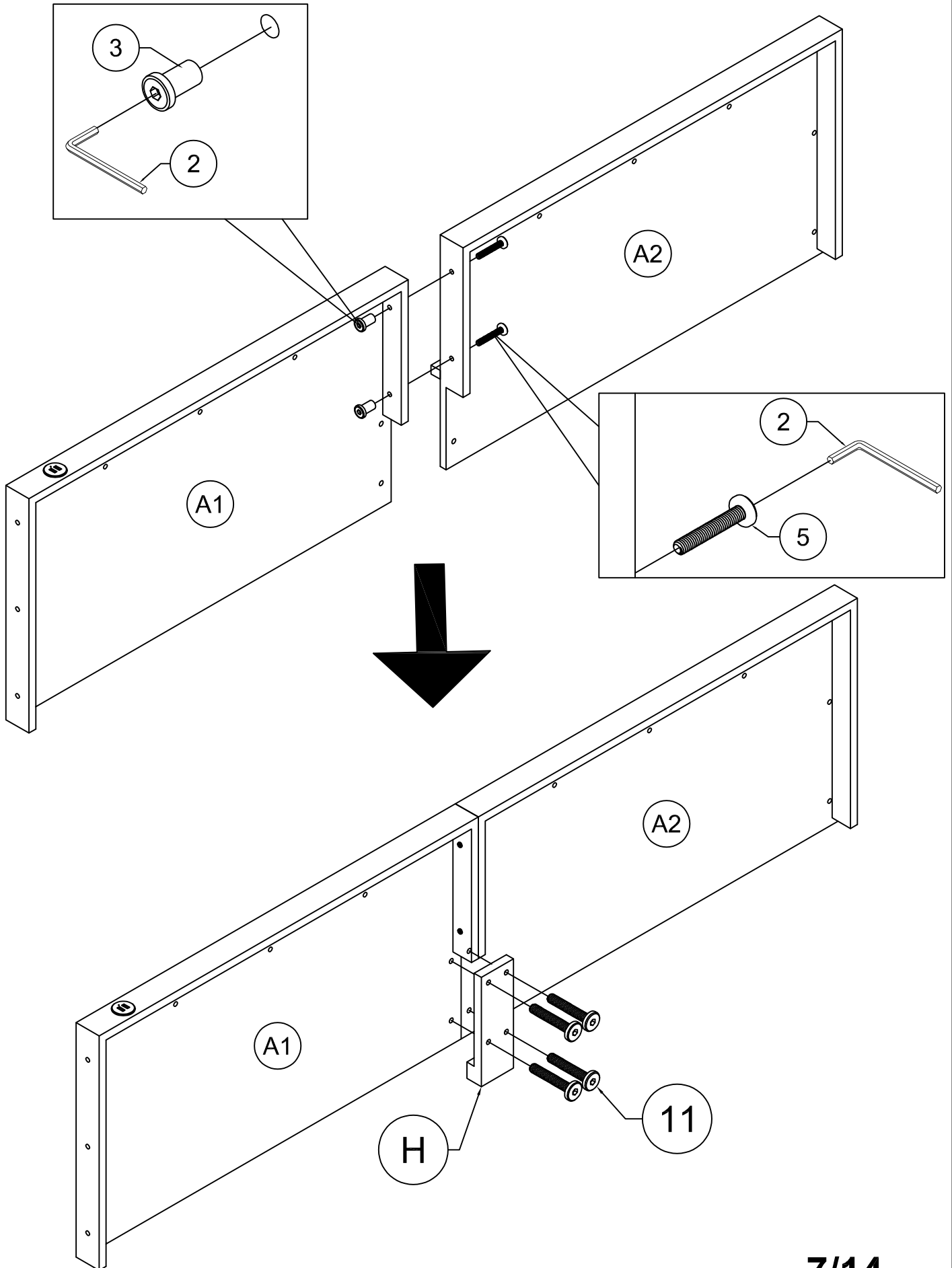
STEP 1: Following below illustration:

1	
4pcs	

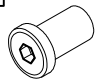




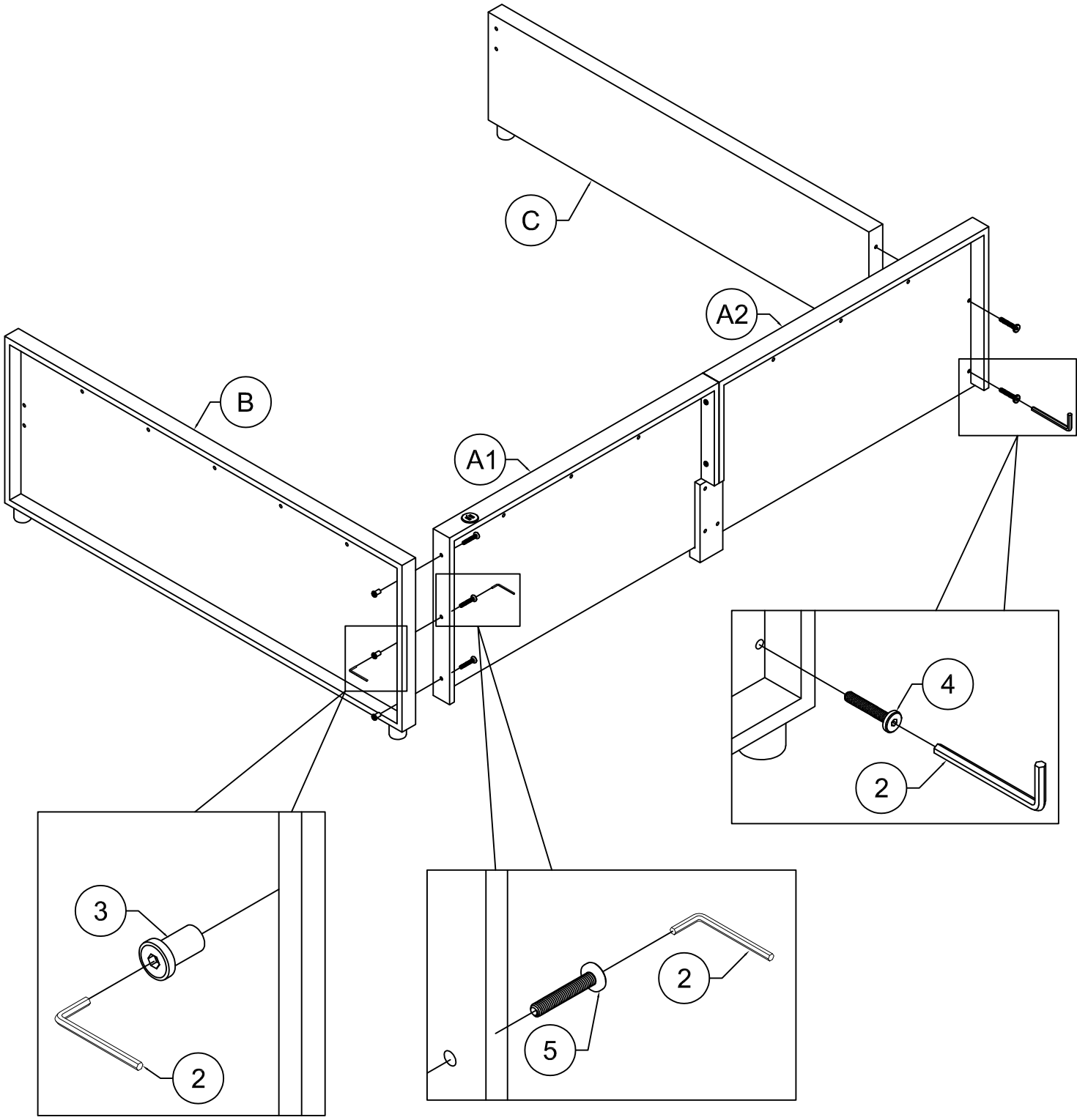
STEP 2: Following below illustration:

3	5	11
		
2pcs	2pcs	4pcs





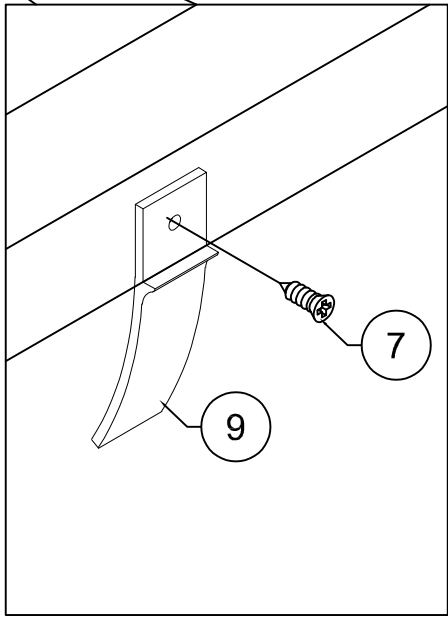
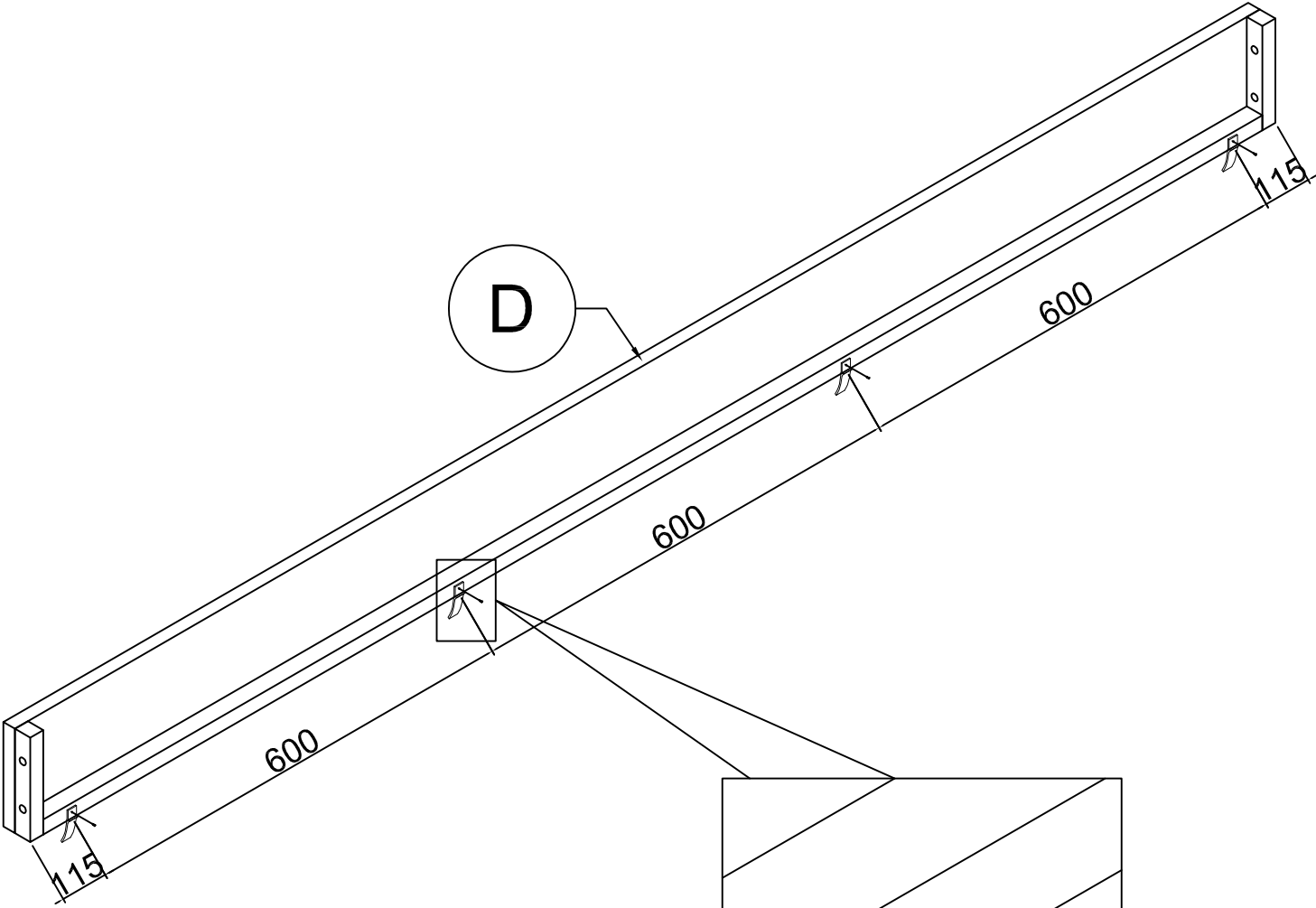
STEP 3: Following below illustration:

3	4	5
		
3pcs	2pcs	3pcs



STEP 4: Following below illustration:

7		9	
4pcs		4pcs	

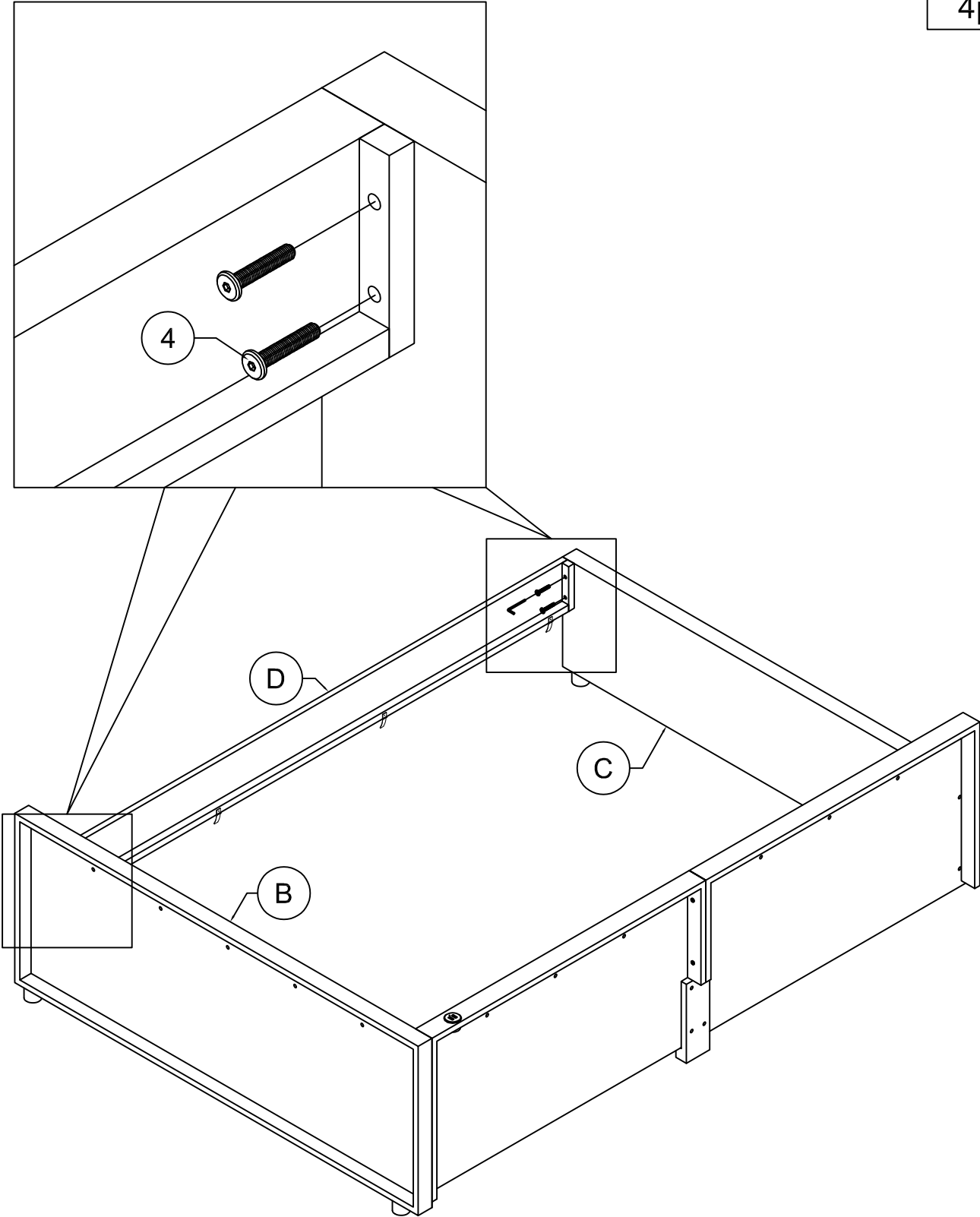


STEP 5: Following below illustration:

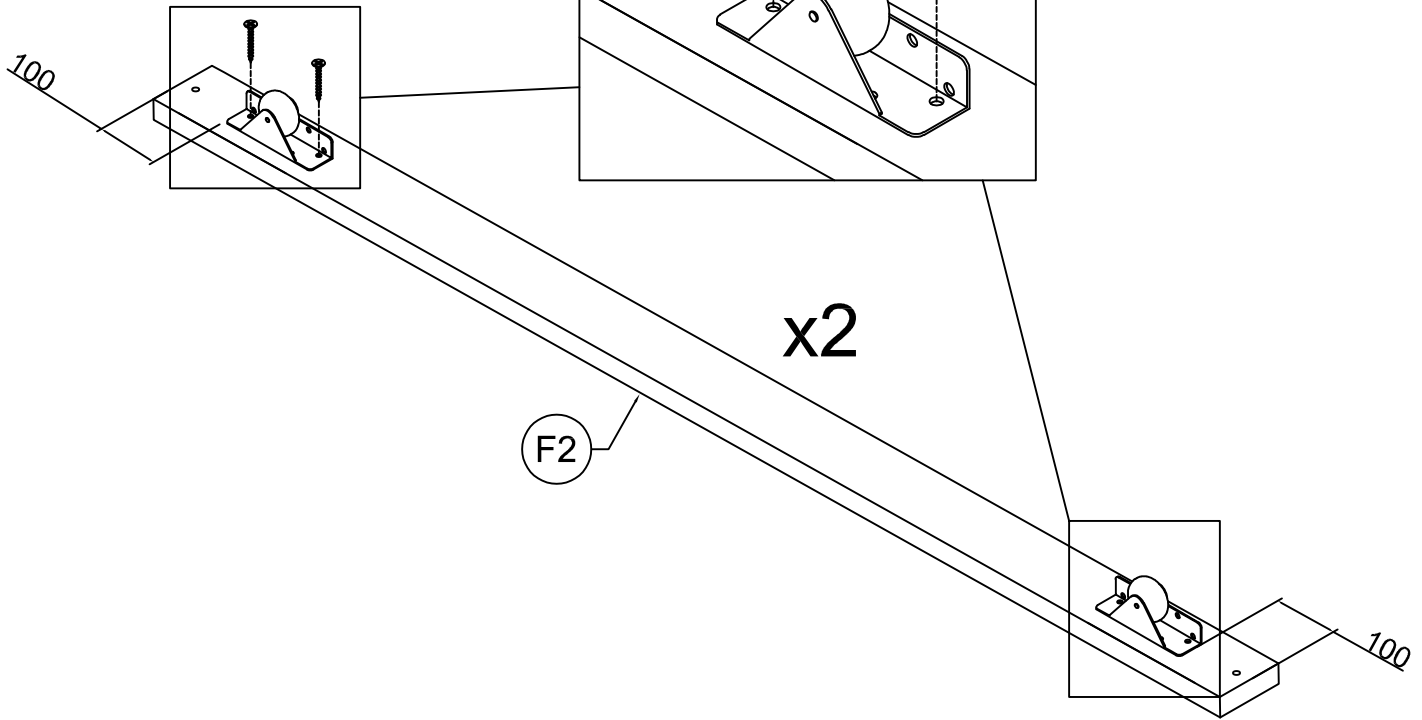
4


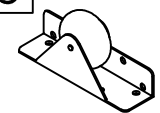


4pcs

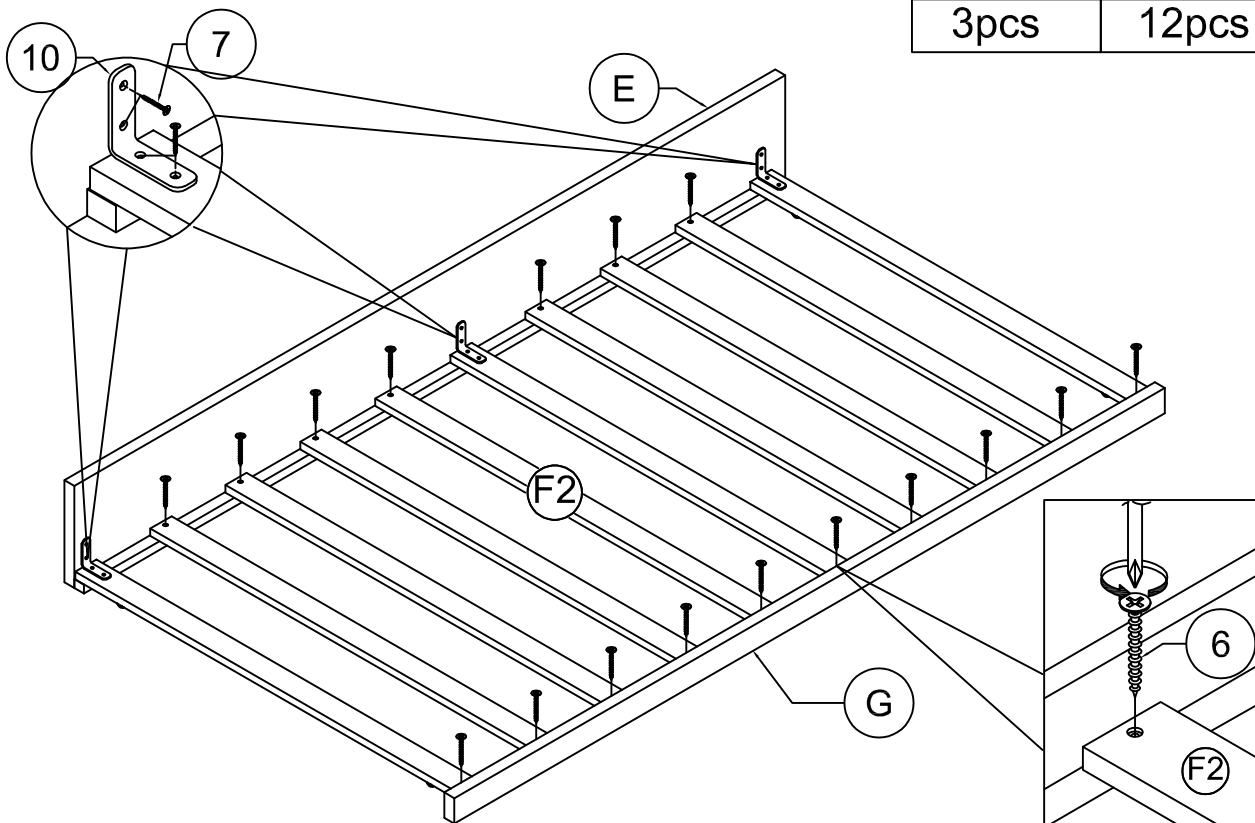




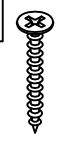
STEP 7: Following below illustration:



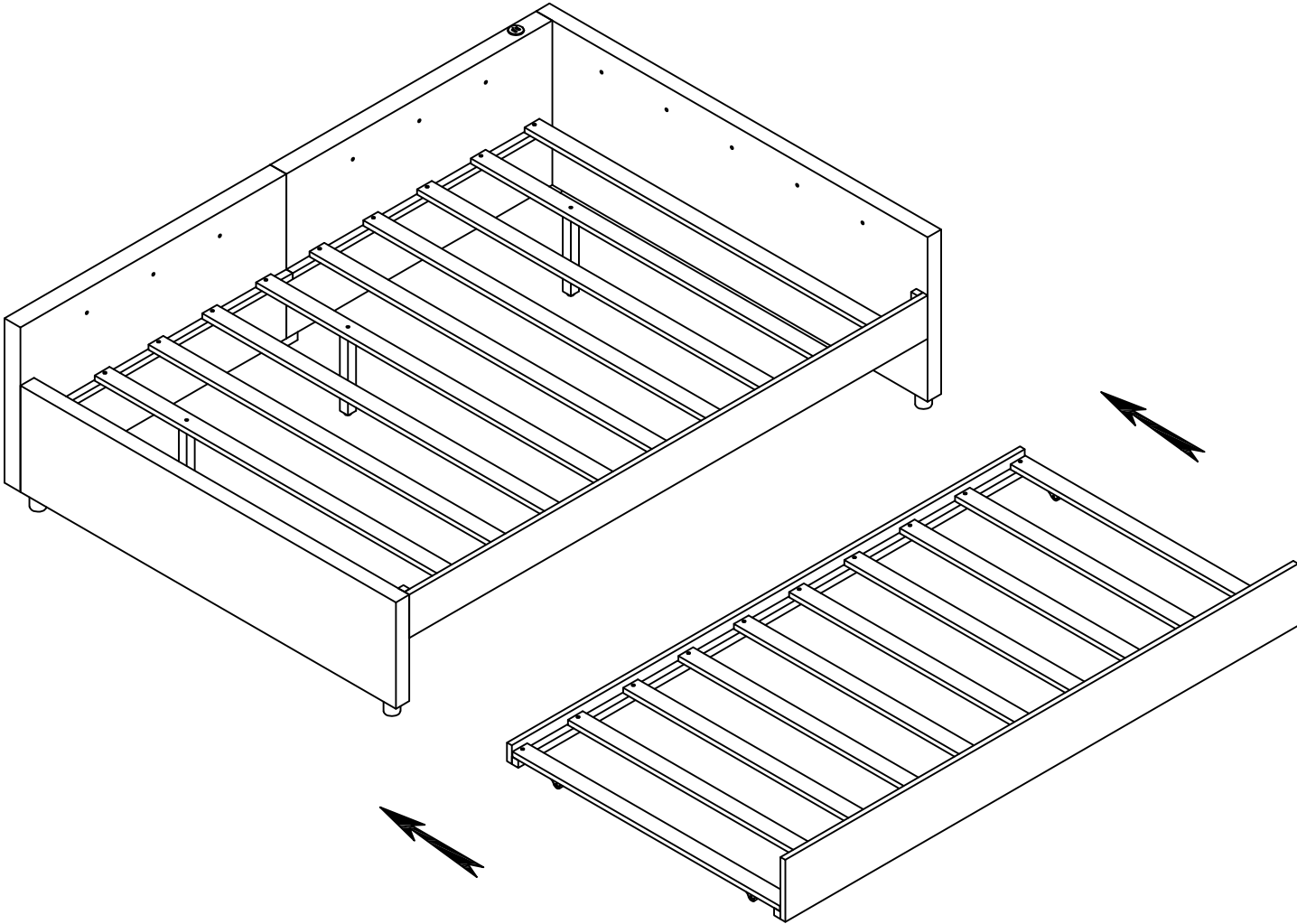
7		8	
8pcs		4pcs	

STEP 6-1: Following below illustration:



10		7		6	
3pcs		12pcs		20pcs	

STEP 8: Following below illustration:



FINISH

