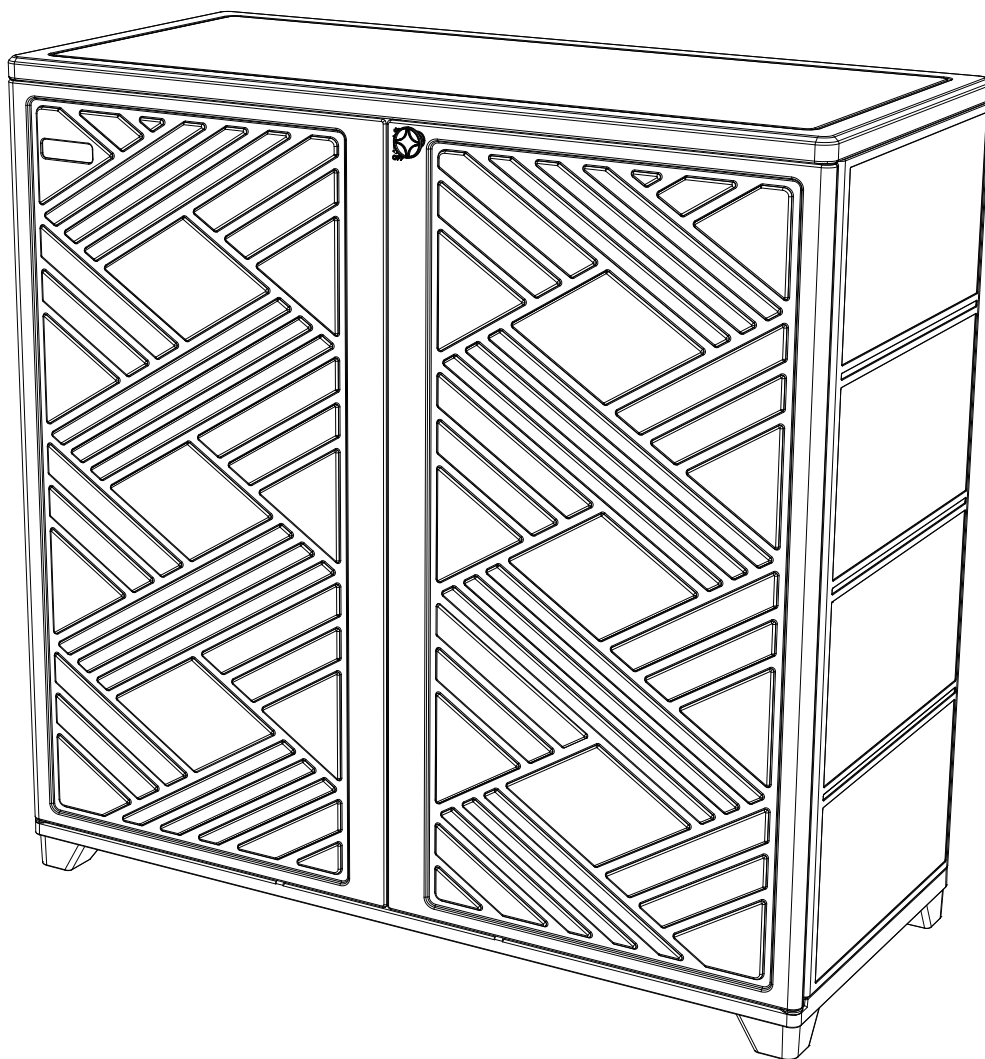


Rhombus cabinet Installation Instructions (A)



Install the required tools

(The installation tools are not included in the packaging bag)

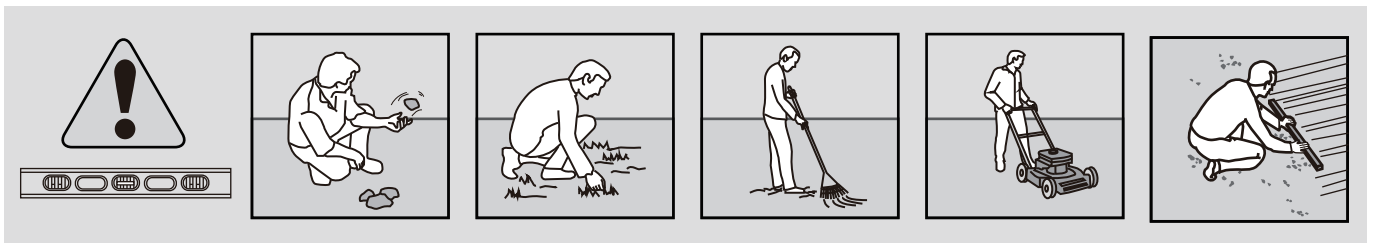


Screwdriver

Precautions

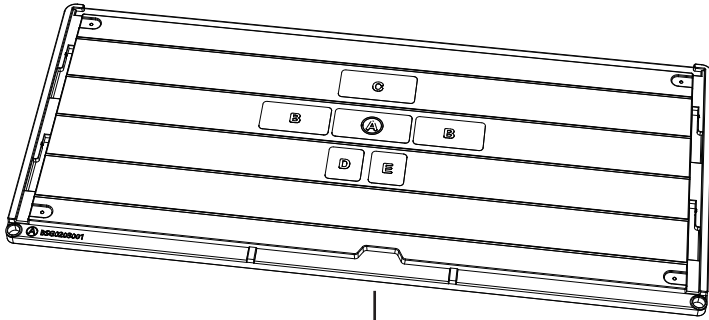
- 1、 Before installation, check all the accessories against the accessory list to ensure they are undamaged. If you find anything incorrect, please contact us.
- 2、 Install all accessories according to the installation instructions.
- 3、 Take out the accessories and install them on a level ground.
- 4、 The company will not be held responsible for the damage of accessories caused by incorrect installation methods. The customer shall bear the loss by themselves.

Level the site

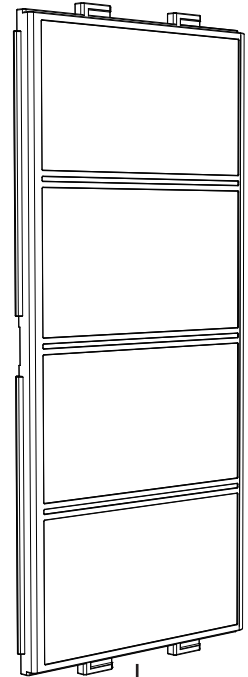


For better installation, please tidy up the ground before installation and keep it level.

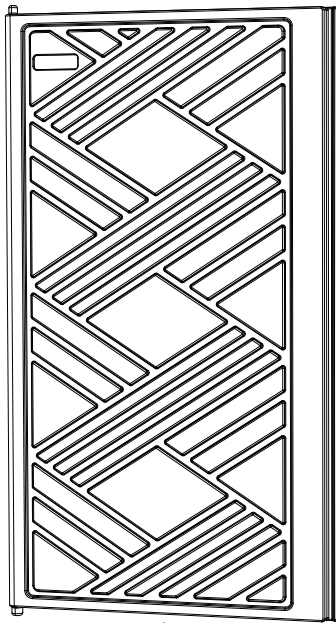
Parts List



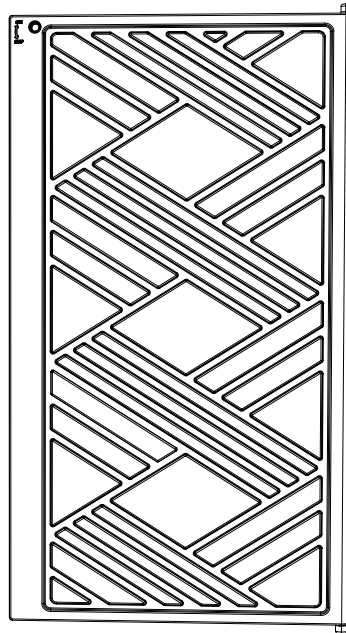
A
1pc



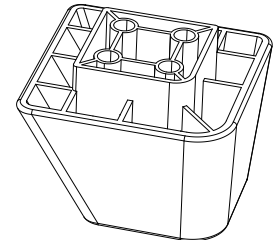
B
2pcs



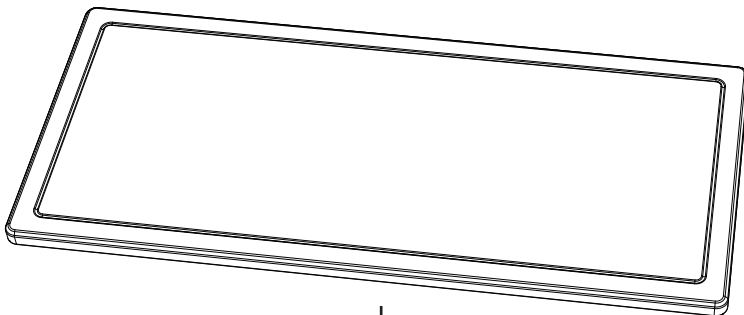
D
1pc



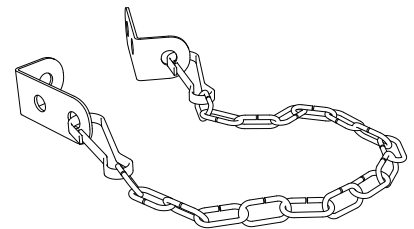
E
1pc



G
5pcs

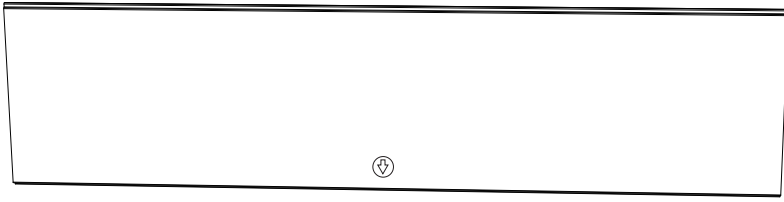


F
1pc

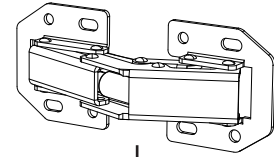


J
1pc

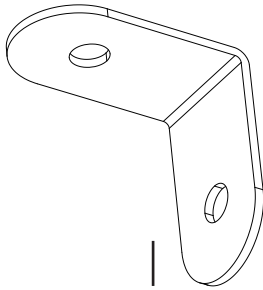
Parts List



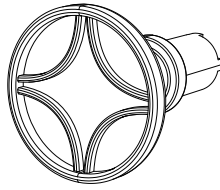
C
4pcs



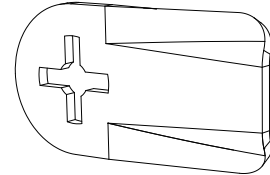
H
2pcs



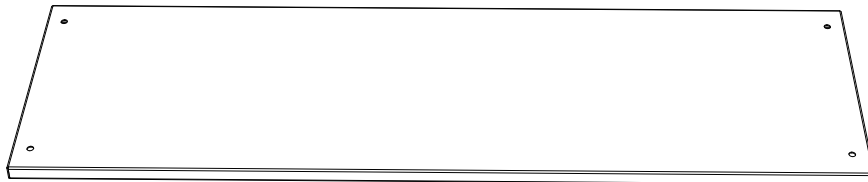
I
8pcs



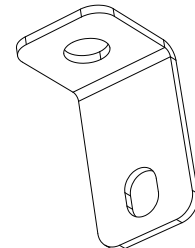
K
1pc



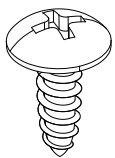
P
1pc



M
1pc



L
4pcs



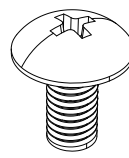
S1

49pcs(Spare3pcs)



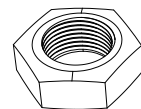
S2

2pcs(Spare1pc)



S3

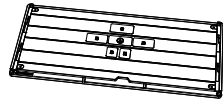
5pcs(Spare1pc)



N1

5pcs(Spare1pc)

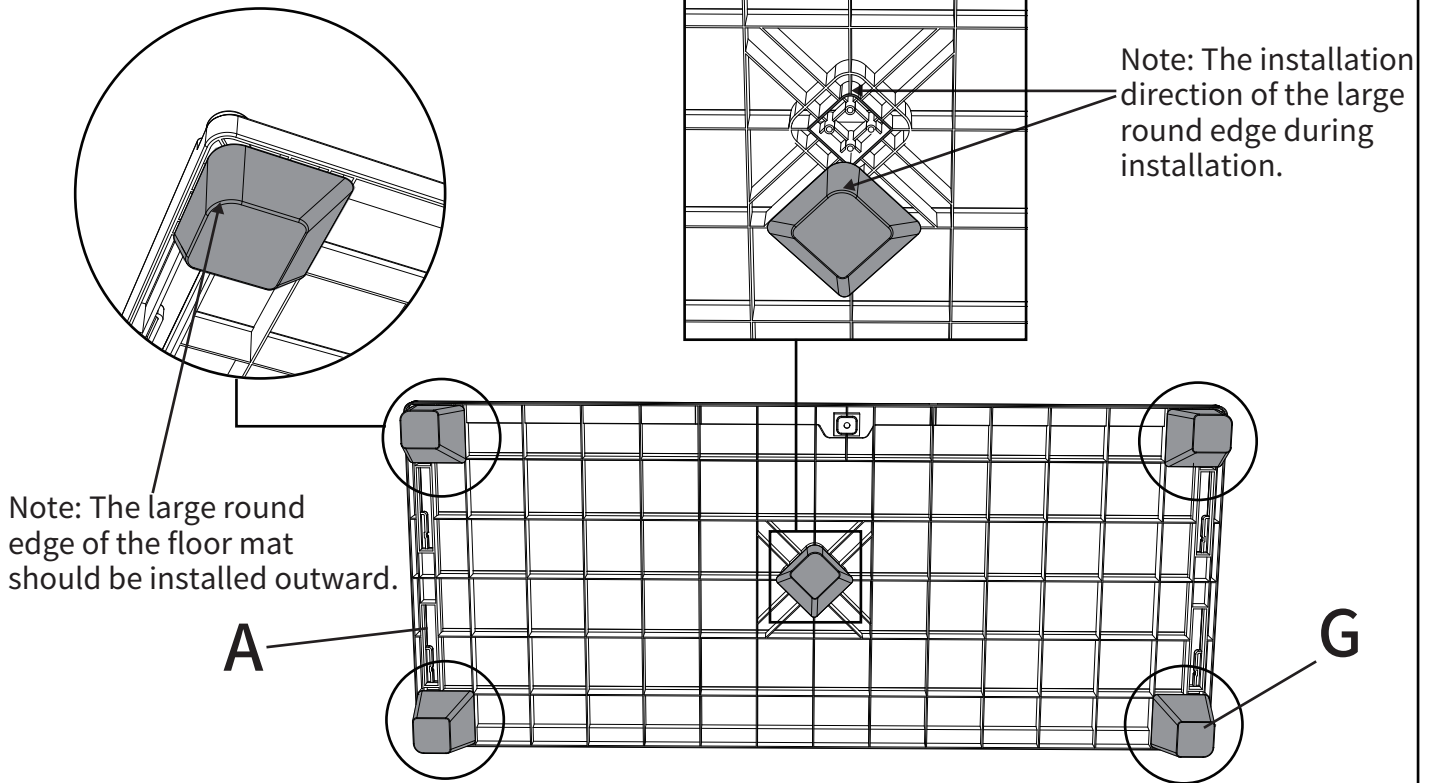
1 Install floor MATS



A
1pc



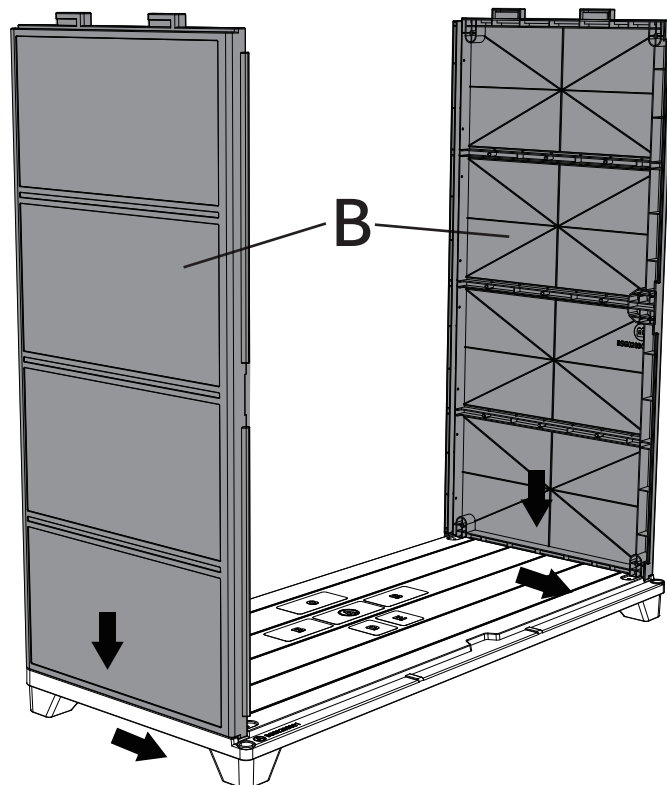
G
5pcs



2 Install the side panel

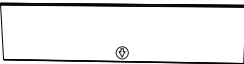


B
2pcs

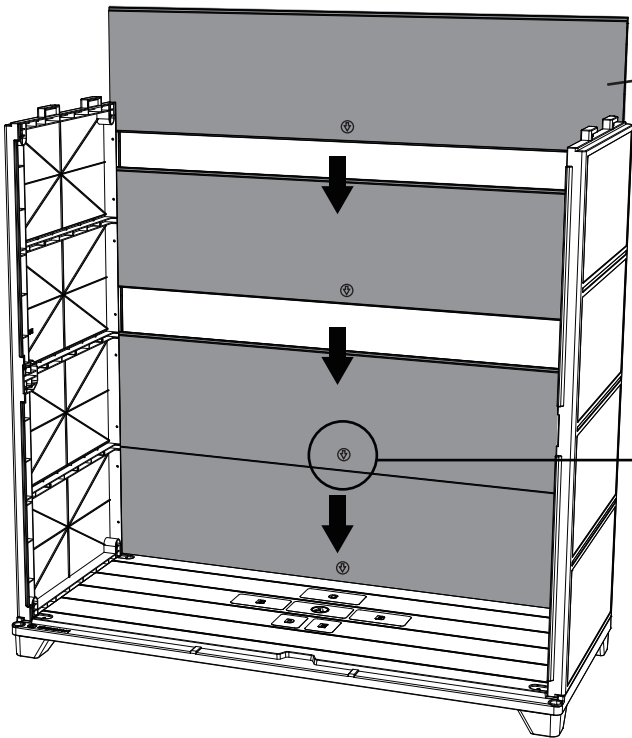


3

Install the back plate



C
4pcs



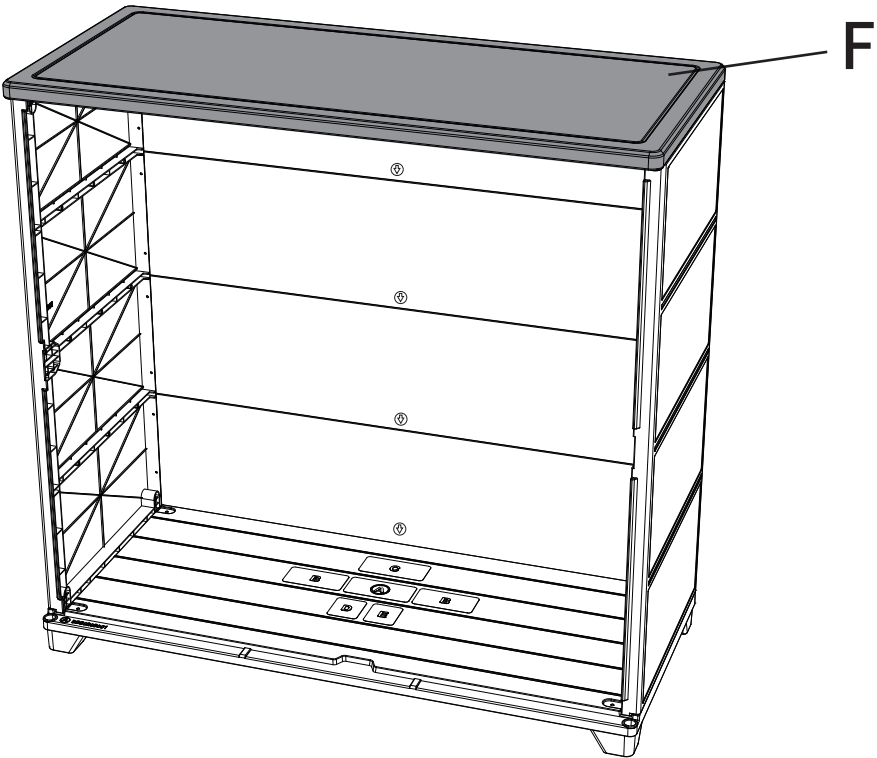
Note: When installing, the arrow should point inside the cabinet and downward.

4

Install the cover plate



F
1pc



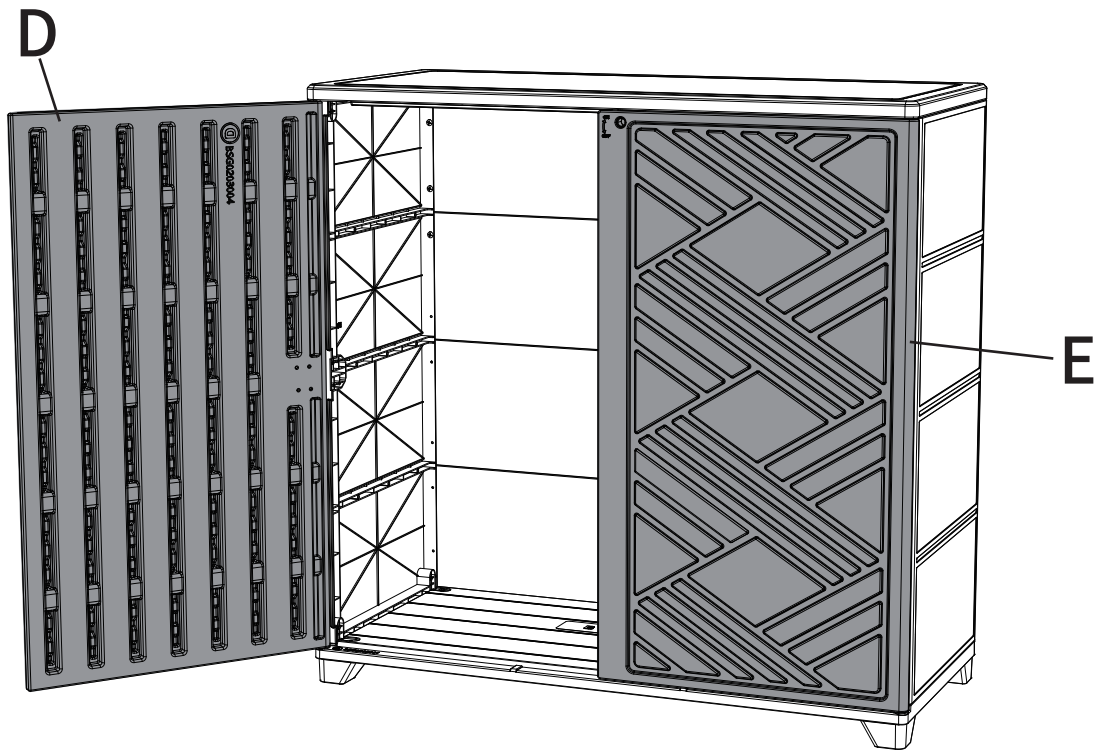
5 Install the door panel



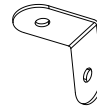
D
1pc



E
1pc



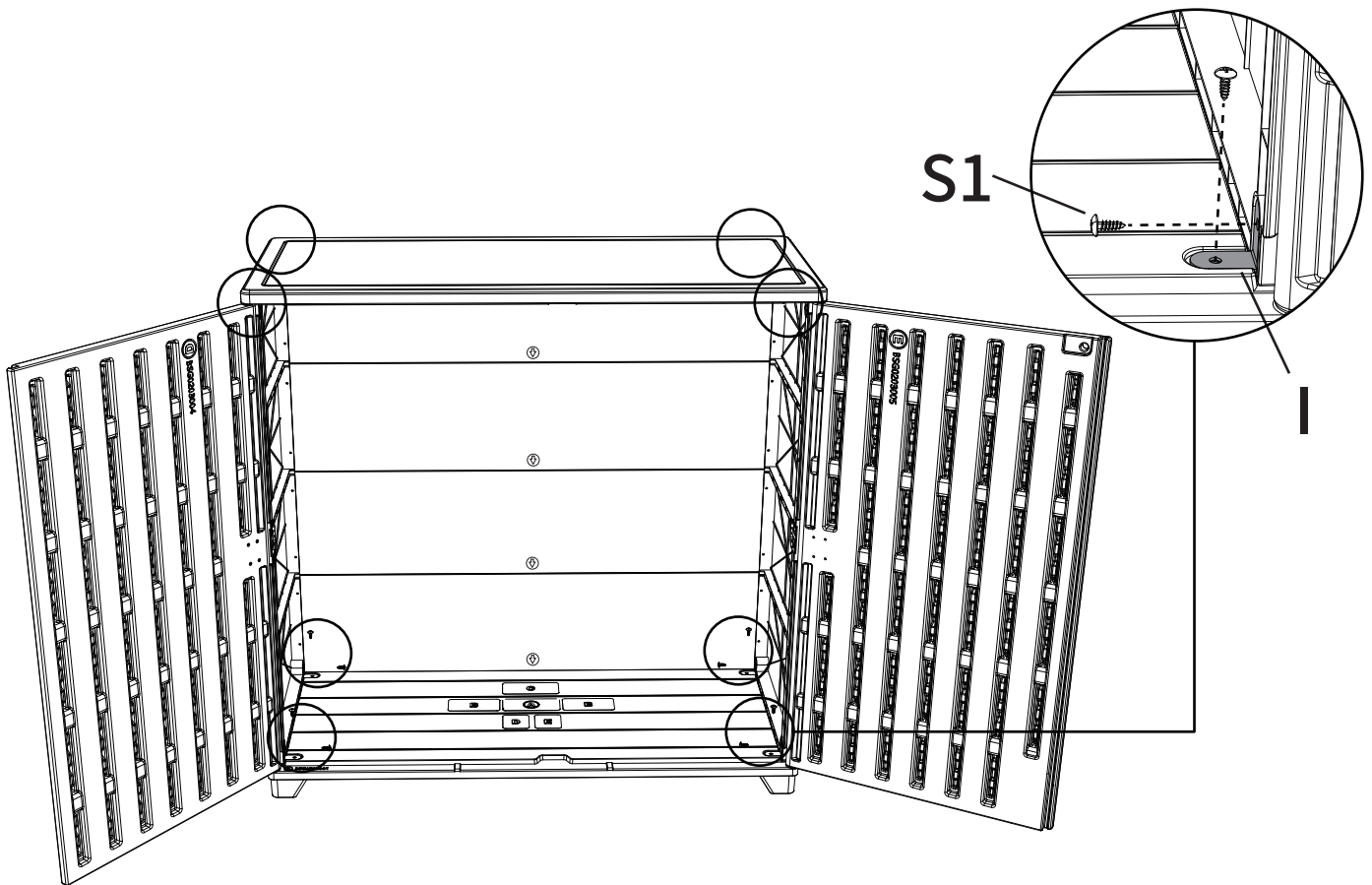
6 Install the upper cover fixing plate



I
8pcs



S1
16pcs



7

Installation layer plate



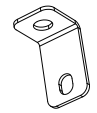
M
1pc



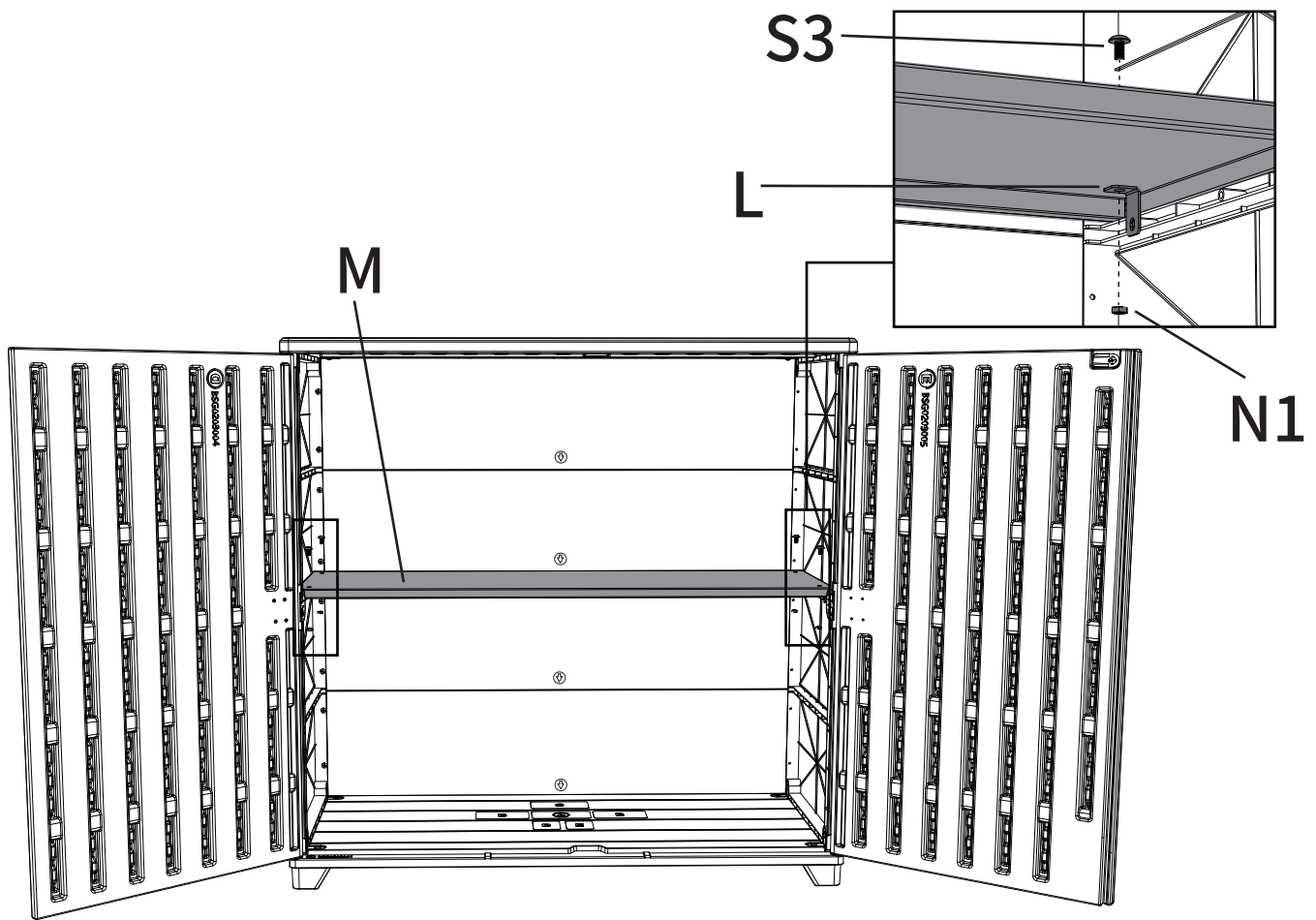
N1
4pcs



S3
4pcs



L
4pcs

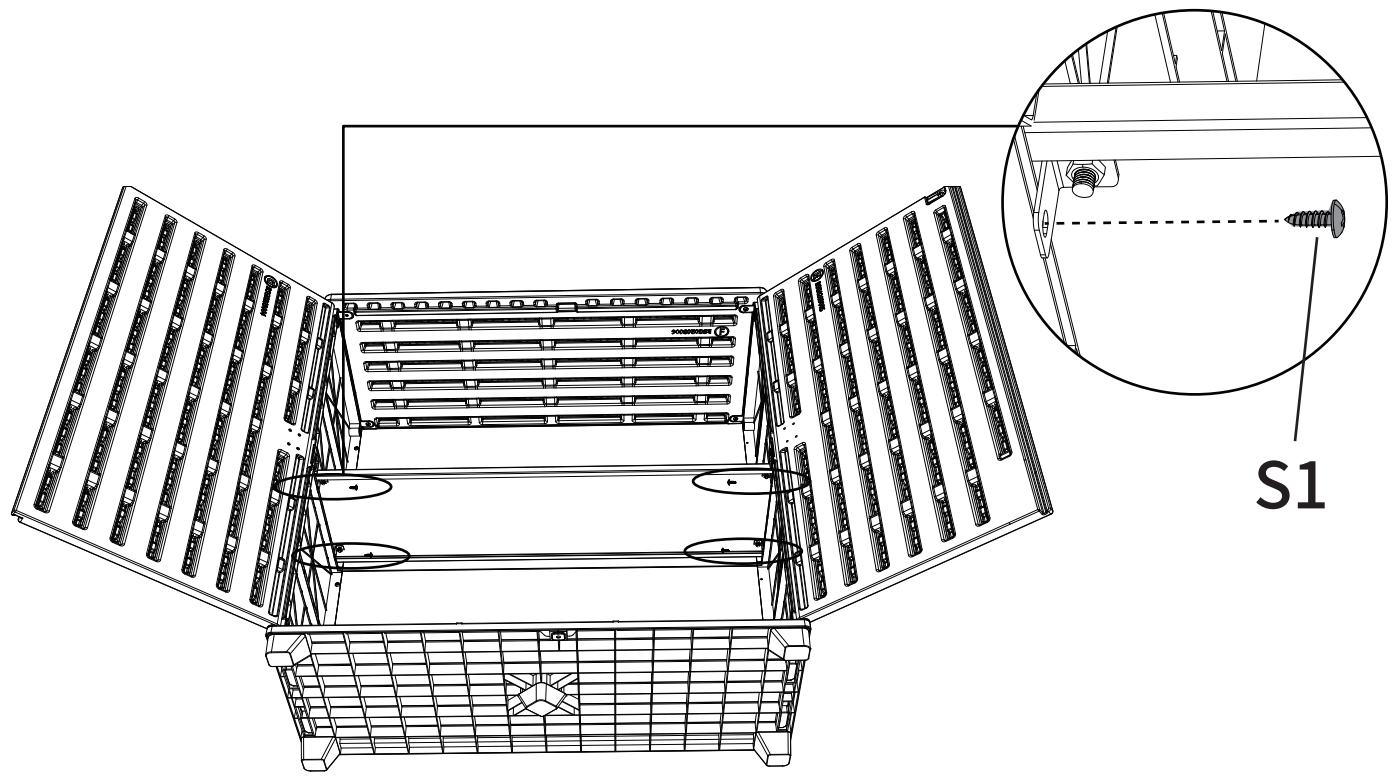


8

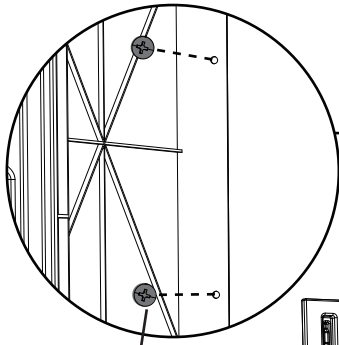
Fixed shelf board



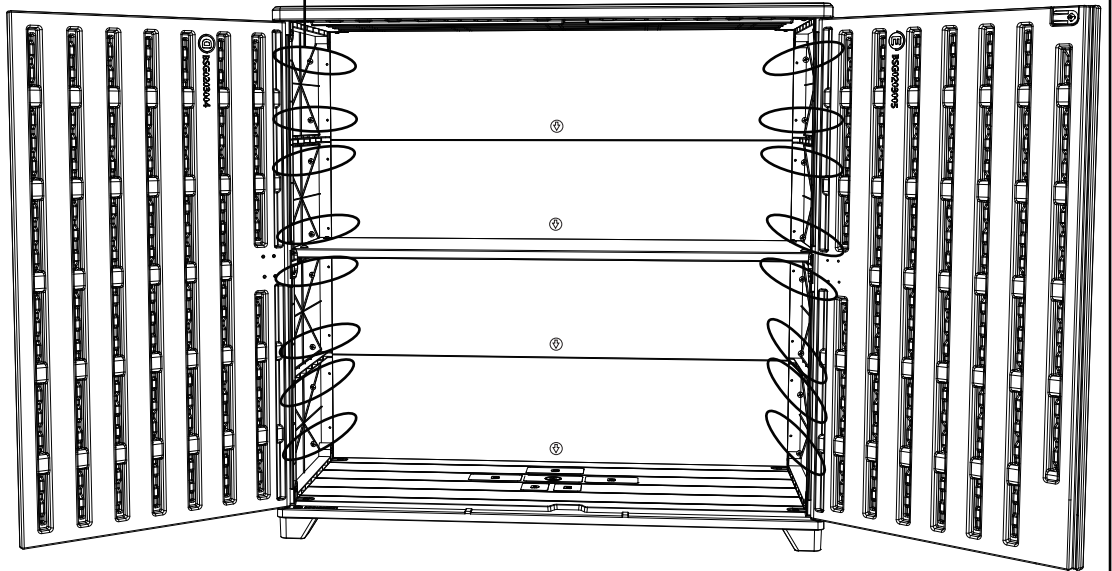
S1
4pcs



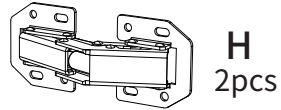
9 Fixed back plate



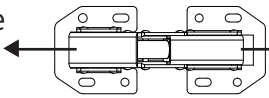
S1



10 Install the hinges

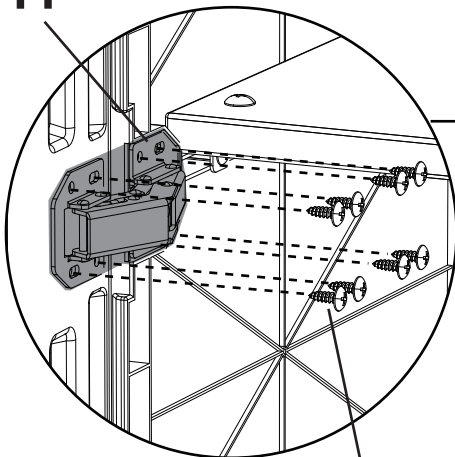


The wide side is installed on the door panel

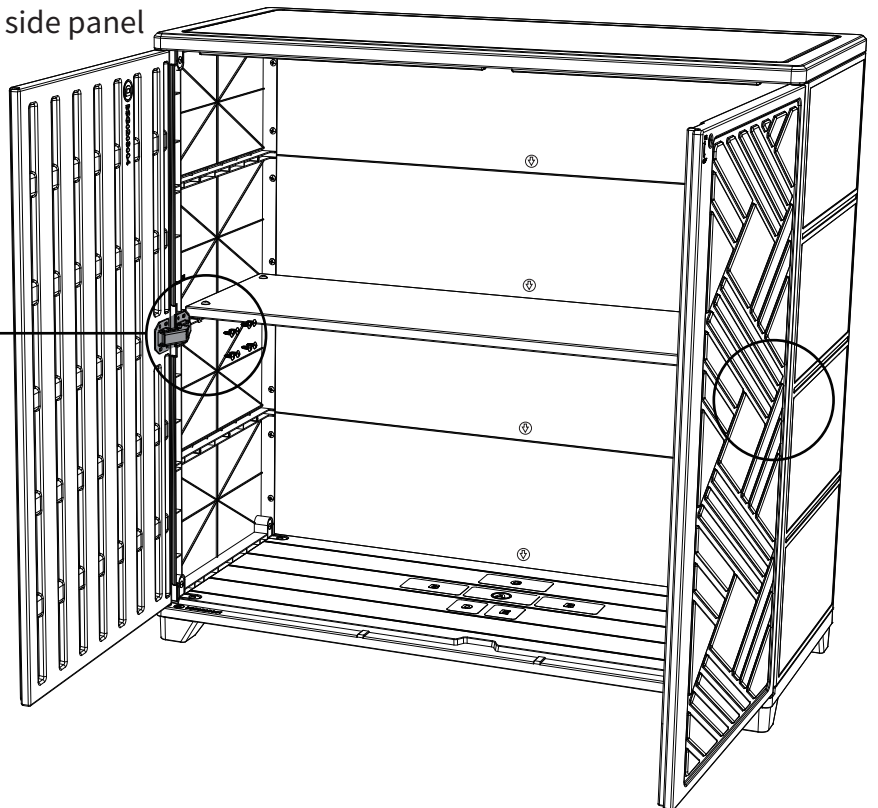


It is installed on the side panel

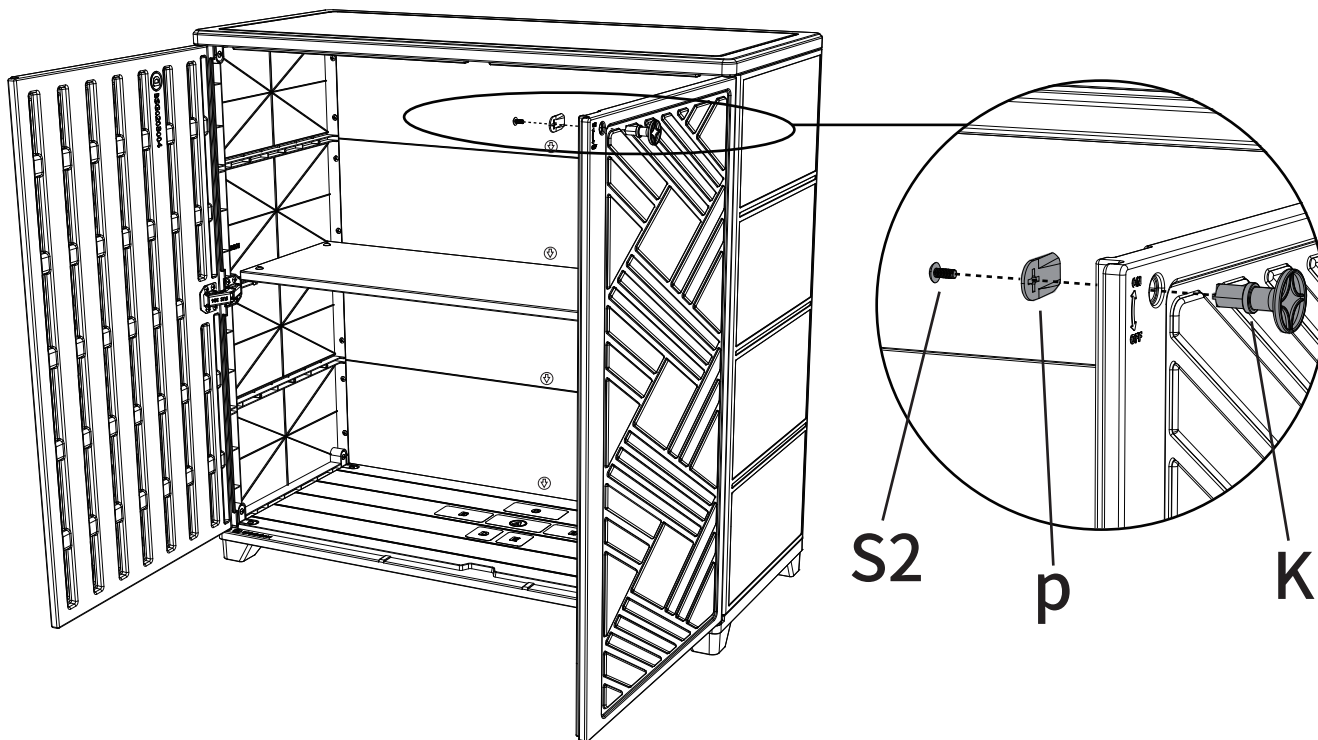
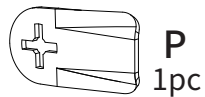
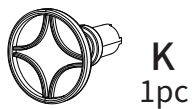
H



S1



11 Install the handle



12 Install the chain

