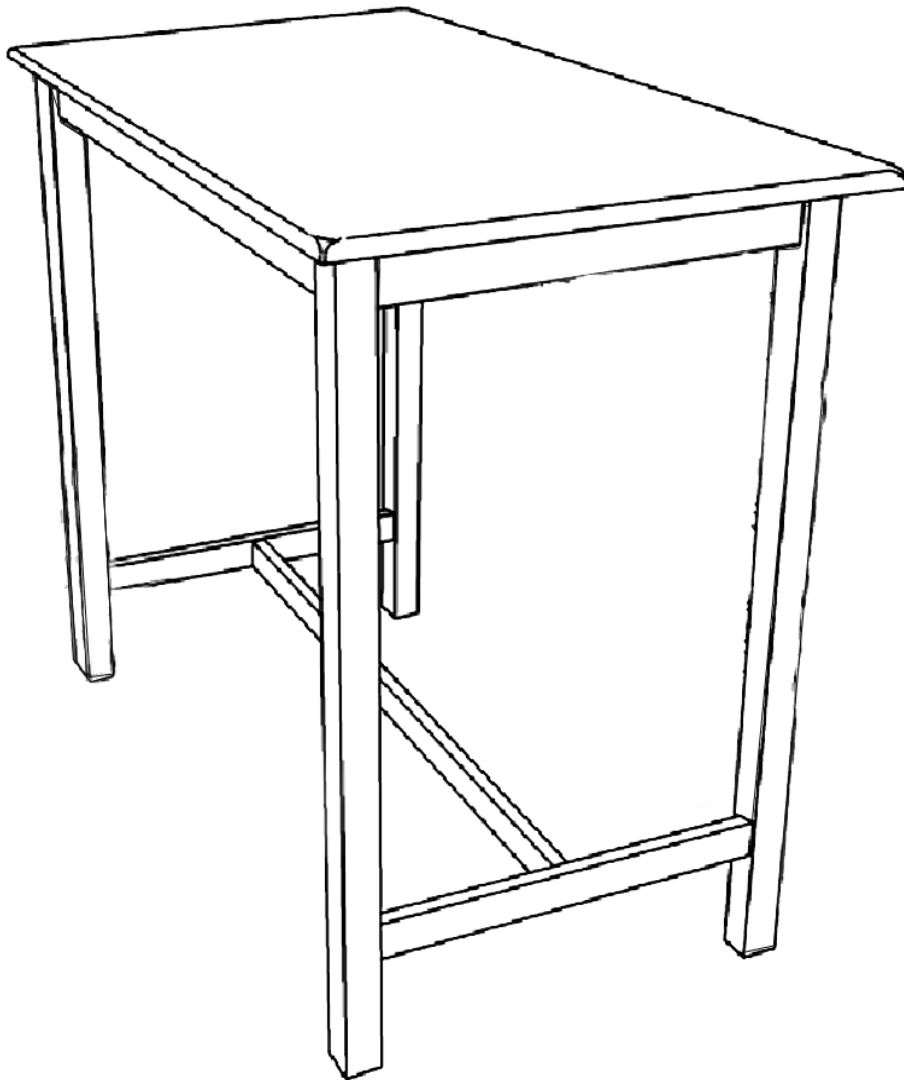


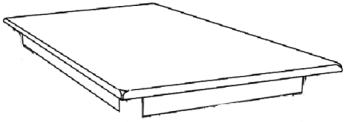




Assembly Instructions

Caution: You must read this before you proceed.






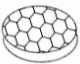

Table



Parts List

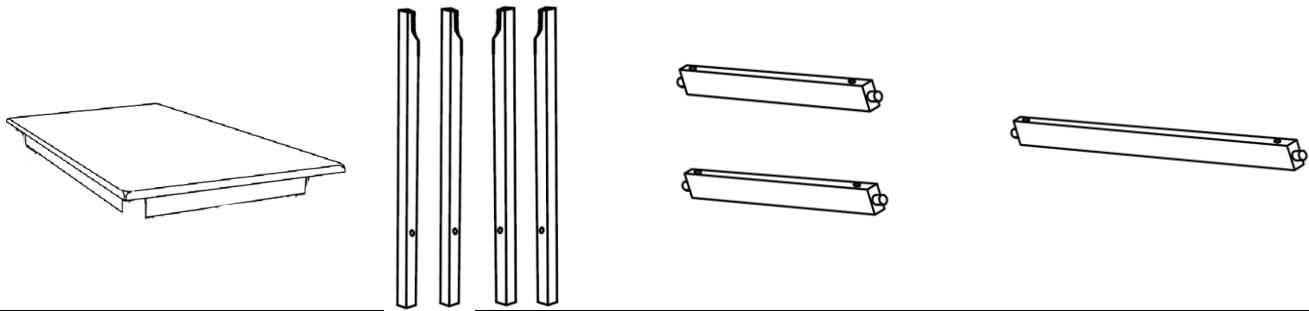
Part NO.	Picture	Description	QTY
A		Table TOP	1 PC
B		Table Leg (Left)	2 PCS
C		Table Leg (Right)	2 PCS
D		Table Short Support Rail	2 PCS
E		Table Long Support Rail	1 PC

Hardware

Label	Picture	Description	QTY
G		JCBC Bolt (M6*60mm)	8 PCS
H		Spring Washer Ring	8 PCS
I		Flat Washer Ring	8 PCS
J		Screw	6 PCS
K		Allen Key	1 PC
L		Foam Pad	4 PCS
M		Screwdriver	Not provided

Assembly Preparation

Before Beginning Assembly:



- Read instructions, cover to cover-



- Have 2 adults on hand for assembly-



- Do not assemble on flooring or carpet-

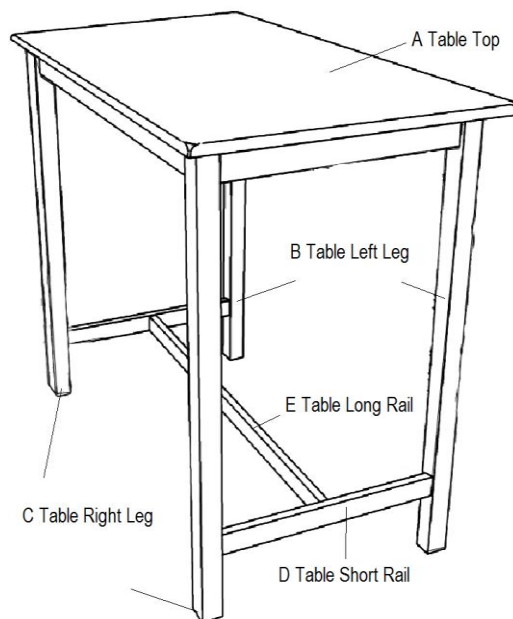


- Assemble on a clean non-marring surface (packing foam)-



- Save all packaging until finished-

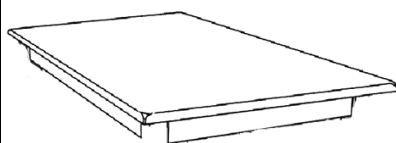
Assembly Steps



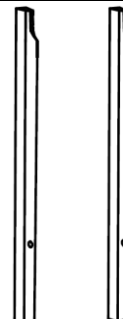
This Table has multiple parts and may require up to 20 minutes to assemble. To give you an overview of the Table parts, the above picture is to help you put the various Table parts into perspective.

Please read through the instructions herebelow to familiarise yourself with the parts and steps before assembly.

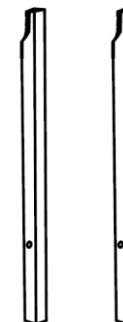
Step 1



A. Table TOP



B. Table Leg (Left)



C. Table Leg (Right)



D. Table Short Support Rail

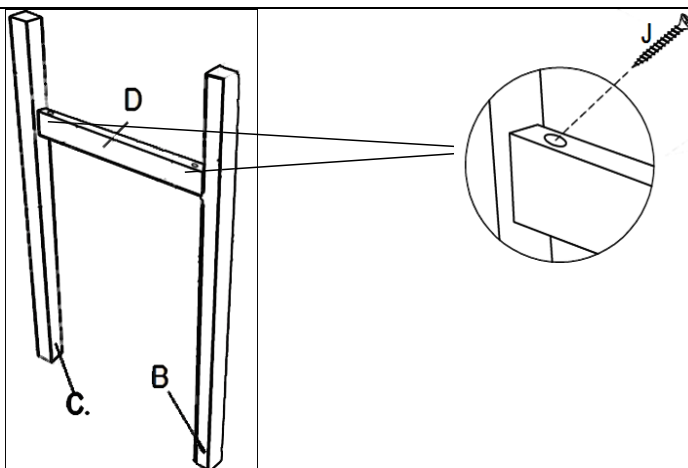


E. Table Long Support Rail

Place the Table Top (A)&Table Left Leg (B)&Table Right Leg(C) on a soft surface to avoid any scratches or damages to the product.

REMOVE the Table Top Cover from the underside of the Table Top (A), take out Table short rail(D) &Table long rail(E) and hardware.

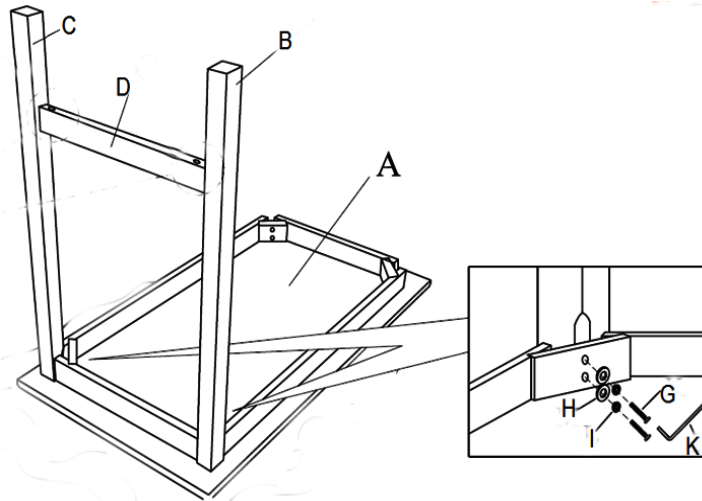
Step 2



Align Table Short support Rail(D) to Table left leg(B) and Table right Leg (C),tighten with screw(J), Connect the other side of Table support Rail(D), Table left Leg(B) and Table right Leg(C) with the same process.

Caution : At this stage, LOOSELY FASTEN these bolts

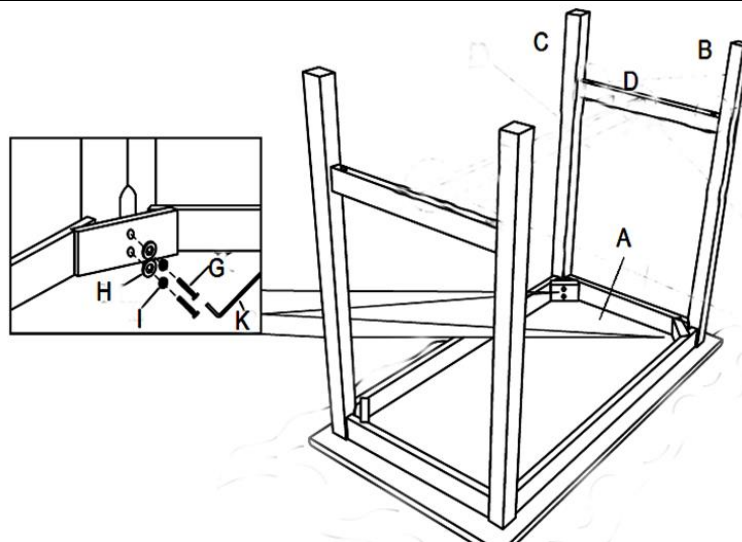
Step 3



Attach Table left leg(B) and Table Right Leg(C) to Table top (A),using Flat washer Ring(H),Spring washer Ring(I) and JCBC bolt(G),Tighten JCBC bolt with Allen Key(J)

Caution : At this stage, LOOSELY FASTEN these bolts

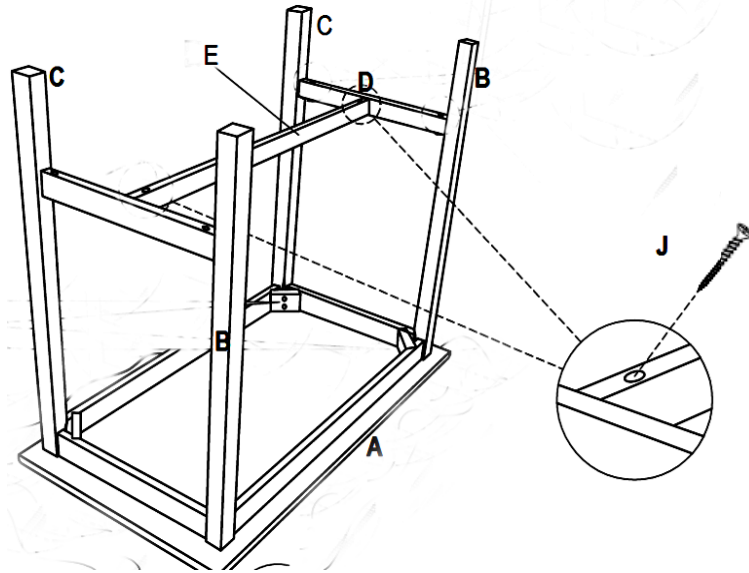
Step 4



Prepare the other side of assembled Table Left Leg(B)&Table Right (C)&Table short support Rail(D), Attach Table left leg(B) and Table Right Leg(C) to Table top (A),using Flat washer Ring(H),Spring washer Ring(I) and JCBC bolt(G),Tighten JCBC bolt with Allen Key(J)

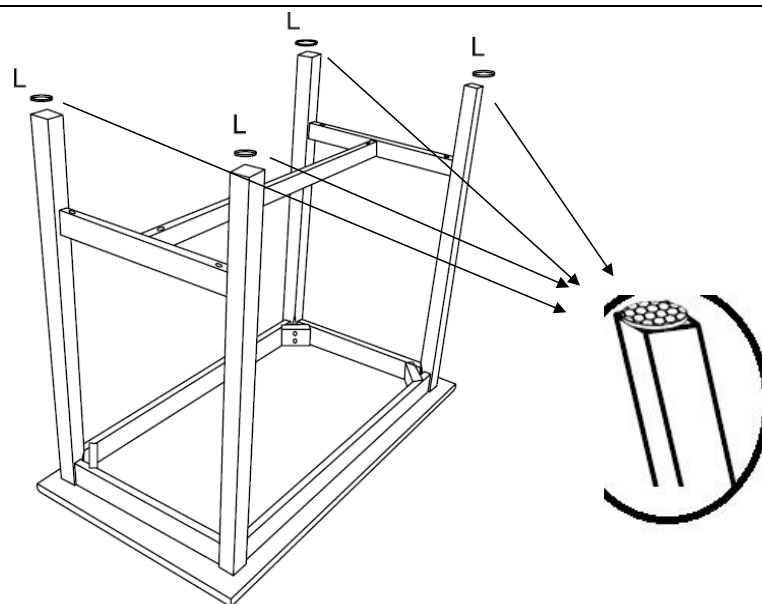
Caution : At this stage, LOOSELY FASTEN these bolts

Step 5



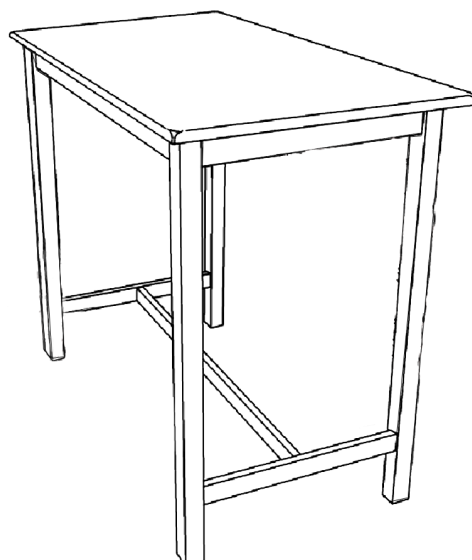
Attach Table long support rail (E) to both side of Table short support Rail using screw(J).
Tighten all the screws and bolts.

Step 6





















Adhere the Foam Pad(L) under the Legs(B & C).



Step 7



Stand the Table rightside up.
Your Table is ready for use.

Care & Maintenance

-   ● Do not put hot items directly on furniture surface
-   ● Do not clean furniture with harsh cleansers or polish.
-   ● Do not place furniture under direct sunlight.
-   ● Do not place furniture near heating or cooling vents.
-   ● Do not write on furniture without a padded barrier to protect the surface.
-   ● Do not place furniture outside . For indoor use only .
-   ● Not for commercial use. For residential use only .
-   ● Stains may be removed with mild soap solution and damp cloth.
-   ● Children should not climb or jump on the furniture.

-
-   ● Dust and pick-up spills using a clean, non-colored, lint-free cloth .

What is Proposition 65?

Proposition 65 is a California law that requires warning labels on products that may contain one of more than 800-plus chemicals or ingredients that the California Office of Environmental Health Hazard Assessment (OEHHA) has deemed to cause cancer or other reproductive toxicity. Chemicals and elements on this list include wood dust, brass, and other everyday substances, which can be found in very common household items, such as: lamps, tableware, jewelry, crystal glasses, electric cords, beauty products, automobiles, and furniture.

Why Did I Find a Proposition 65 Warning on My Home Goods Product?

We include Proposition 65 warnings on all of our products because there is always a chance that one of the 800-plus common chemicals and ingredients listed under this law could potentially be on our furniture or packing materials. We risk large fines under this law, if we don't include this warning.

Should I worry?

We realize you may be worried finding this warning on our products, but we want to reassure you that the hazardous exposure limits for any of these chemicals have never been found on furniture products that we've shipped to our customers. Additionally, this warning label is very common and can be found on almost every piece of furniture sold in the state of California.

Just How Common Are Proposition 65 Warnings?

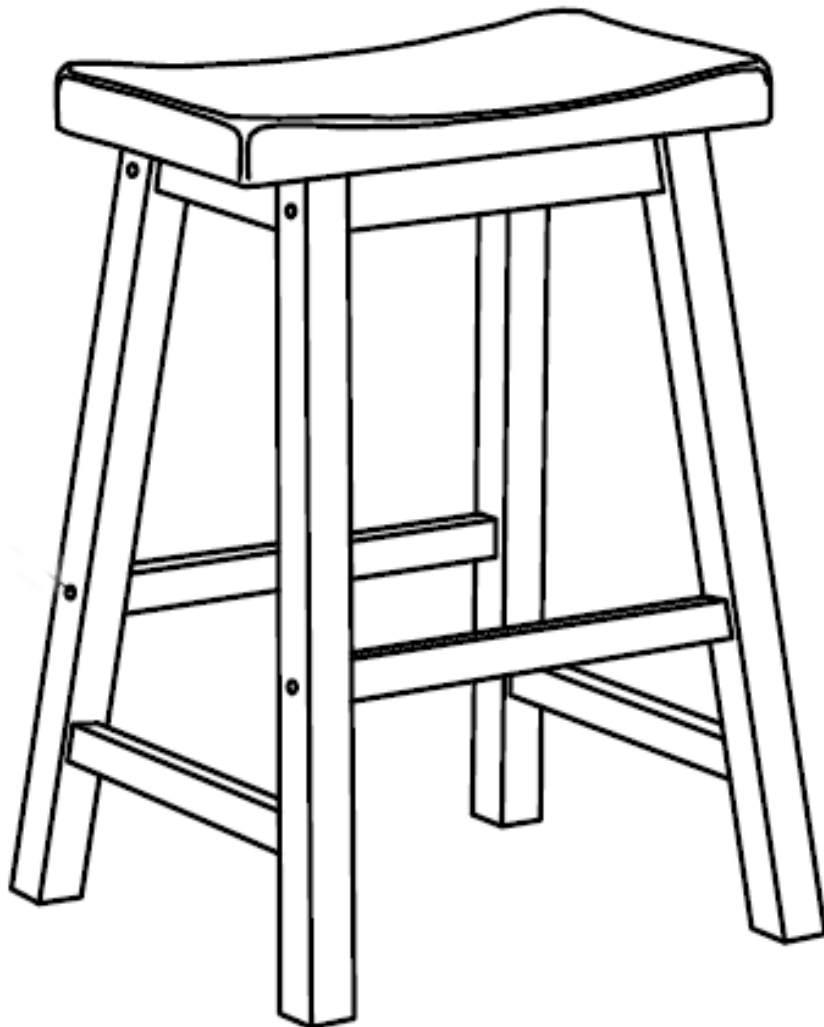
Proposition 65 warnings have become so common in California that it is hard to take a trip to a local bank, grocery store, or restaurant without finding at least one warning. In fact, even the Disney Land Resort has a Proposition 65 warning:




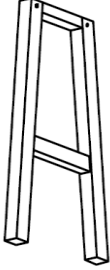

Assembly Instructions

Caution: You must read this before you proceed.




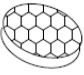
Stool



Parts List

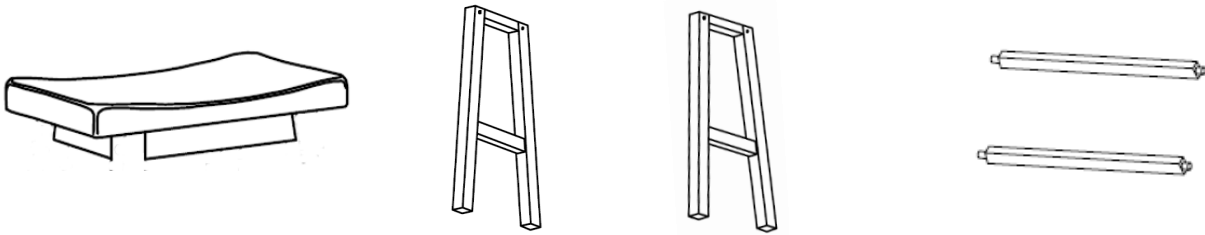
Part NO.	Picture	Description	QTY
A		Stool Seat	1 PC
B		Leg Frame	2 PCS
C		Stool Rail	2 PCS

Hardware

Label	Picture	Description	QTY
D		Screw(M7*50MM)	8 PCS
E		Wood Button	8 PCS
F		Allen Key	1 PC
G		Foam Pad	4 PCS

Assembly Preparation

Before Beginning Assembly:



- Read instructions, cover to cover-



- Have 2 adults on hand for assembly-



- Do not assemble on flooring or carpet-

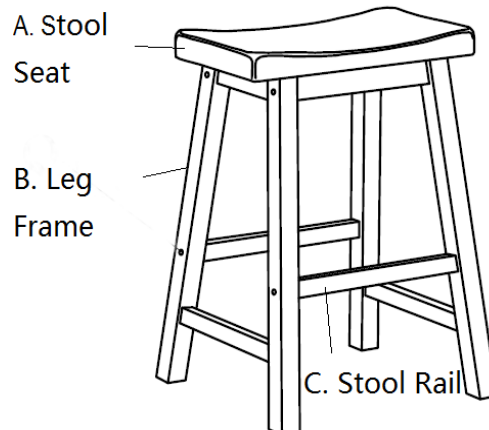


- Assemble on a clean non-marring surface (packing foam)-



- Save all packaging until finished-

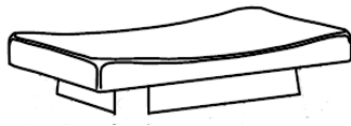
Assembly Steps



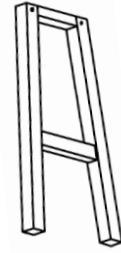
This Stool has multiple parts and may require up to 30 minutes to assemble. To give you an overview of the Stool parts, the above picture is to help you put the various Stool parts into perspective.

Please read through the instructions herebelow to familiarise yourself with the parts and steps before assembly.

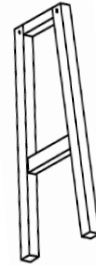
Step 1



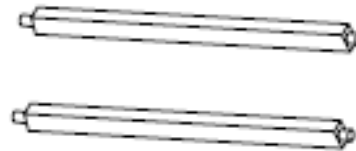
A. Stool Seat



B. Leg Frame



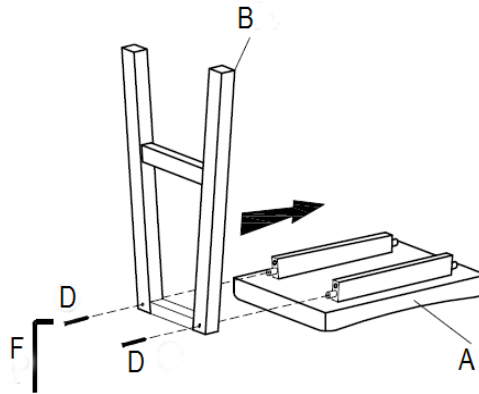
B. Leg Frame



C. Stool Rail

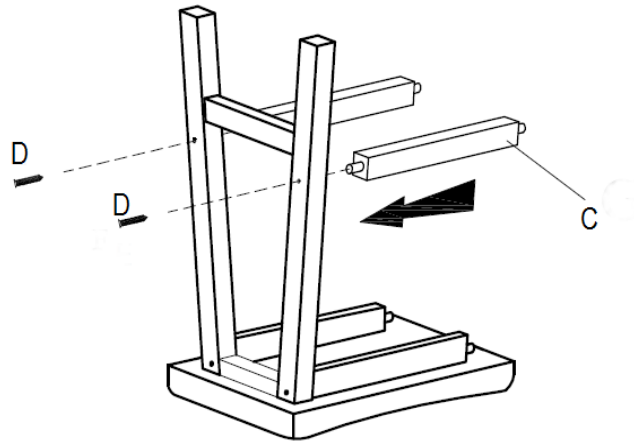
Place the Stool Seat(A)&Leg Frames(B)&Stool Rail(C) on a clean, non-marring surface. Remove the Seat Base Cover from the underside of the Chair Seat(A) and take out all of the Parts and Hardware.

Step 2



Put the Stool Seat(A) onto a flat table top-like surface at waist height. Slide the Leg Frame(B) into the bottom Stool Seat dowls. Align and attach Leg Frame using Screws(D) with Allen Key(F)
Caution : At this stage, LOOSELY FASTEN these bolts

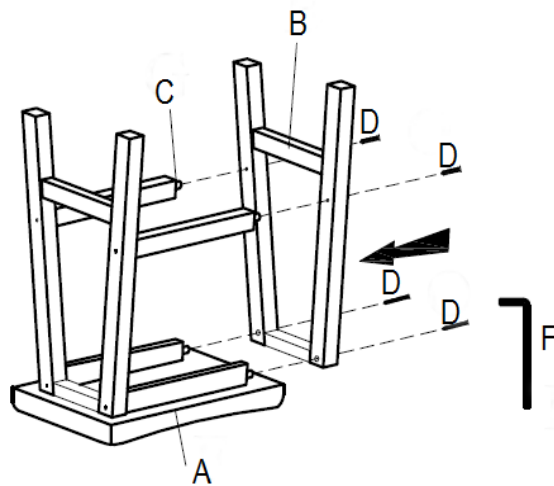
Step 3



Insert Stool Rail(C) into the Leg Frame(B) as shown above.
Then, attach using Screw(D) with Allen Key(F).

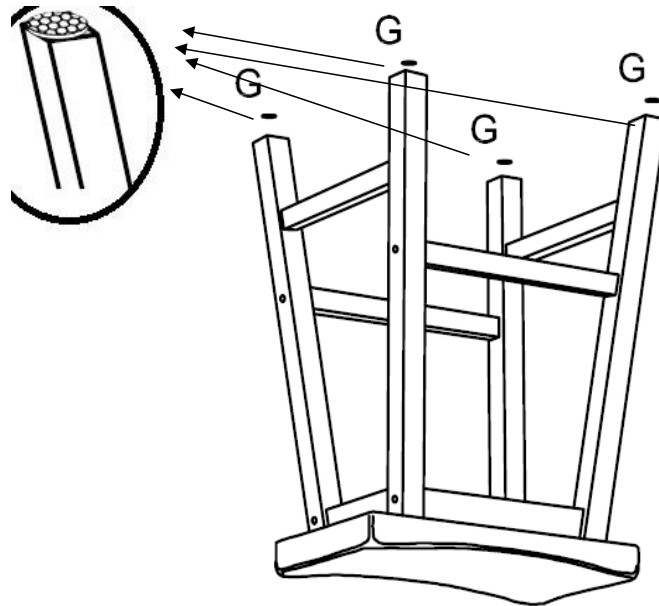
Caution : At this stage, LOOSELY FASTEN these bolts

Step 4



Slide the Leg Frame(B) into the bottom of Stool Seat dowls and Stool Rails(C).
Secure using Screws with Allen Key(F).
Tighten all the screws and bolts.

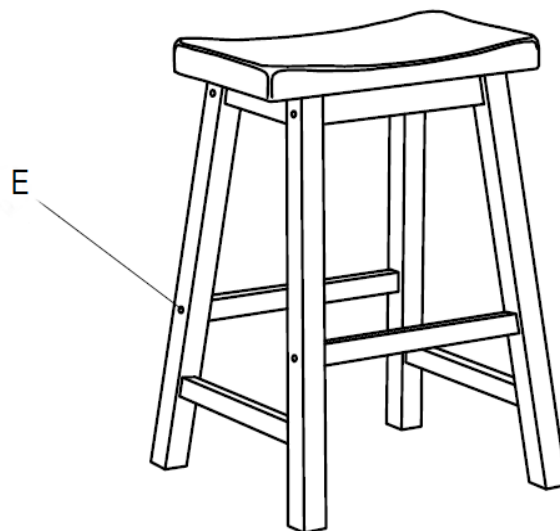
Step 5



Adhere the Foam Pads(G) under the Legs.



















Tighten all the screws and bolts.



Step 6



Turn over the stool, Insert Wood Button(E) into every screw hole in the Stool.
Your Stools are ready for use.

Care & Maintenance

-   ● Do not put hot items directly on furniture surface
-   ● Do not clean furniture with harsh cleansers or polish.
-   ● Do not place furniture under direct sunlight.
-   ● Do not place furniture near heating or cooling vents.
-   ● Do not write on furniture without a padded barrier to protect the surface.
-   ● Do not place furniture outside . For indoor use only .
-   ● Not for commercial use. For residential use only .
-   ● Stains may be removed with mild soap solution and damp cloth.
-   ● Children should not climb or jump on the furniture.

-
-   ● Dust and pick-up spills using a clean, non-colored, lint-free cloth .

What is Proposition 65?

Proposition 65 is a California law that requires warning labels on products that may contain one of more than 800-plus chemicals or ingredients that the California Office of Environmental Health Hazard Assessment (OEHHA) has deemed to cause cancer or other reproductive toxicity. Chemicals and elements on this list include wood dust, brass, and other everyday substances, which can be found in very common household items, such as: lamps, tableware, jewelry, crystal glasses, electric cords, beauty products, automobiles, and furniture.

Why Did I Find a Proposition 65 Warning on My Home Goods Product?

We include Proposition 65 warnings on all of our products because there is always a chance that one of the 800-plus common chemicals and ingredients listed under this law could potentially be on our furniture or packing materials. We risk large fines under this law, if we don't include this warning.

Should I worry?

We realize you may be worried finding this warning on our products, but we want to reassure you that the hazardous exposure limits for any of these chemicals have never been found on furniture products that we've shipped to our customers. Additionally, this warning label is very common and can be found on almost every piece of furniture sold in the state of California.

Just How Common Are Proposition 65 Warnings?

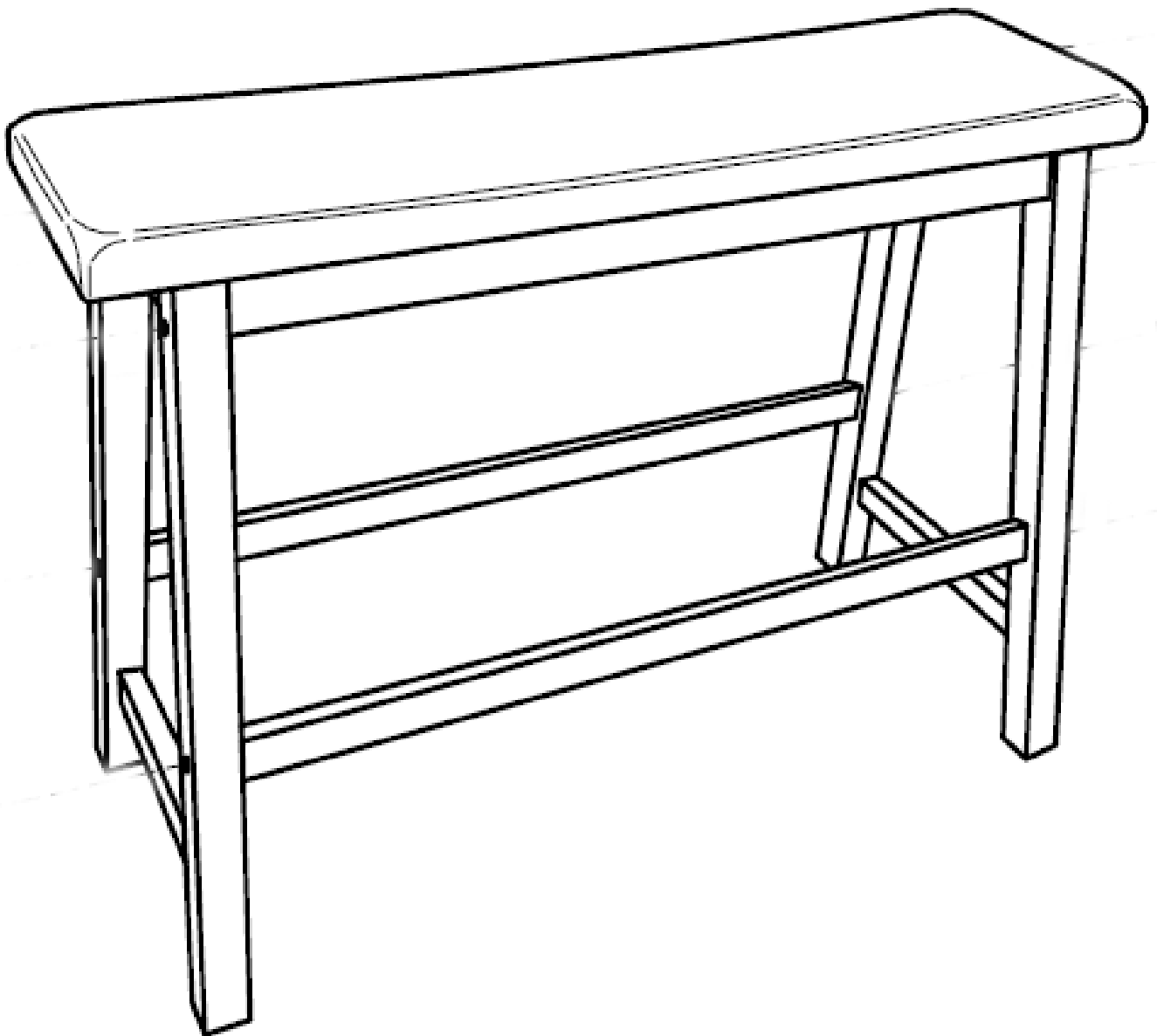
Proposition 65 warnings have become so common in California that it is hard to take a trip to a local bank, grocery store, or restaurant without finding at least one warning. In fact, even the Disney Land Resort has a Proposition 65 warning:



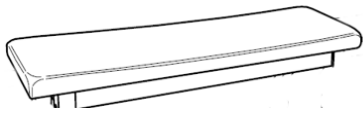


Assembly Instructions

Caution: You must read this before you proceed.




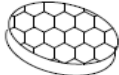
Bench



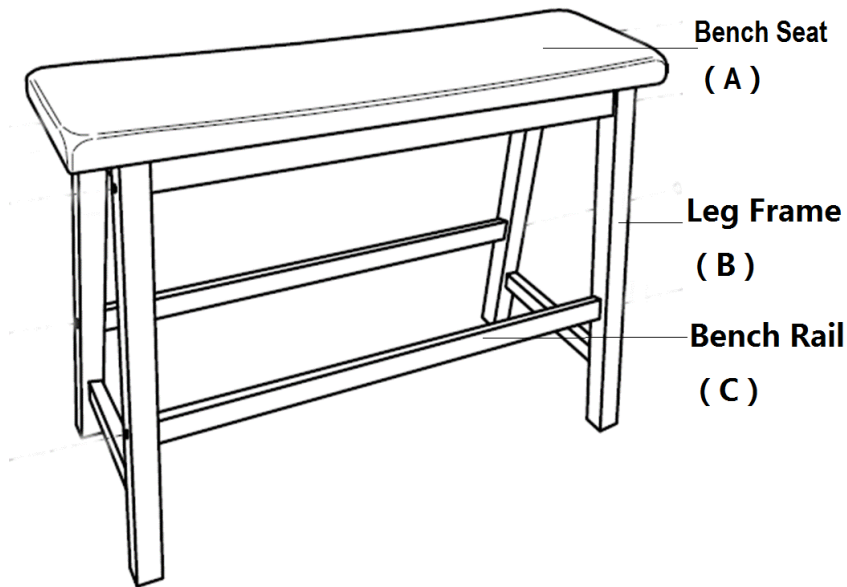
Parts List

Part NO.	Picture	Description	QTY
A		Bench Seat	1 PC
B		Leg Frame	2 PCS
C		Bench Rail	2 PCS

Hardware

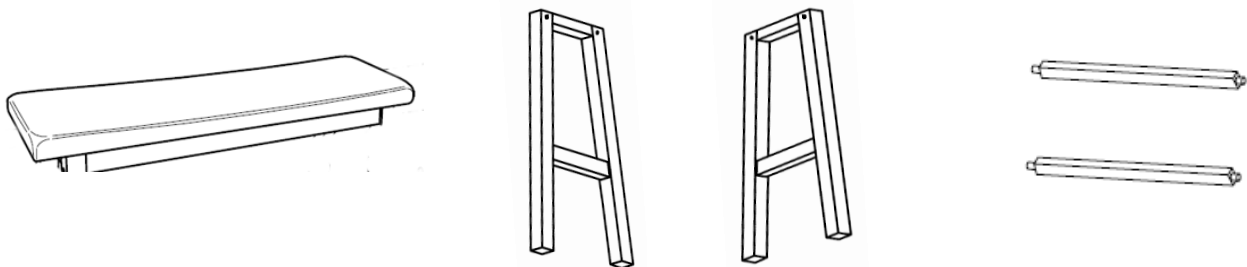
Label	Picture	Description	QTY
D		Screw(M7*50MM)	8 PCS
E		Wood Button	8 PCS
F		Allen Key	1 PC
G		Foam Pad	4 PCS

Assembly Preparation



This Bench has multiple parts and may require up to 30 minutes to assemble. To give you an overview of the Bench parts, the above picture is to help you put the various Bench parts into perspective.

Please read through the instructions herebelow to familiarise yourself with the parts and steps before assembly.



- Read instructions, cover to cover-



- Have 2 adults on hand for assembly-



- Do not assemble on flooring or carpet-



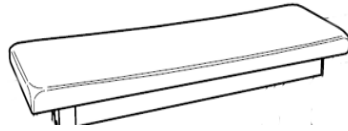
- Assemble on a clean non-marring surface (packing foam)-



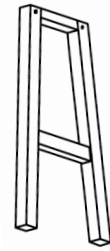
- Save all packaging until finished-

Assembly Steps

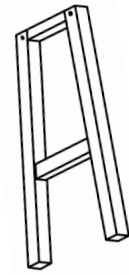
Step 1



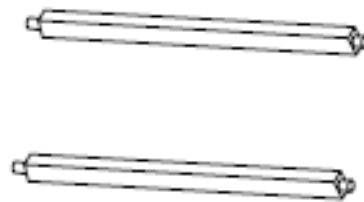
A. Bench Seat



B. Leg Frame



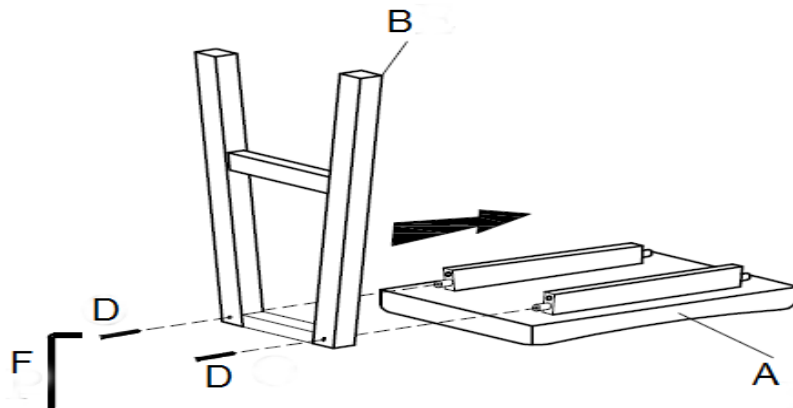
B. Leg Frame



C. Bench Rail

Place the Bench Seat(A)& Leg Frames(B)&Bench Rail (C) on a clean, non-marring surface. Remove the Seat Base Cover from the underside of the Bench Seat(A) and take out all of the Parts and Hardware.

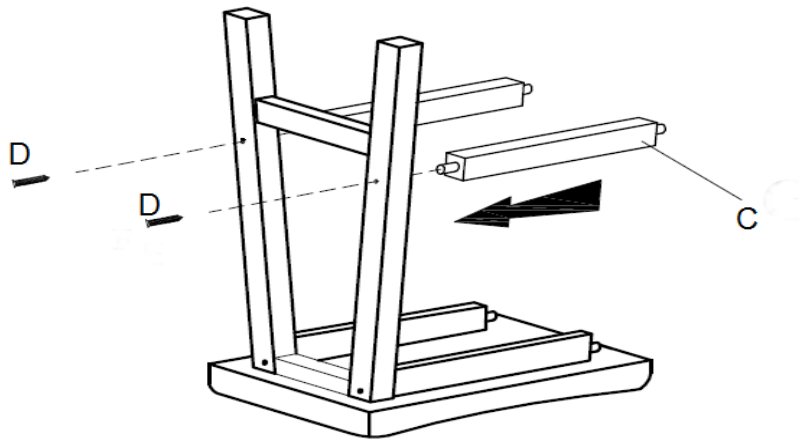
Step 2



Put the Bench Seat(A) onto a flat table top.
Slide the Leg Frame(B) into the bottom Bench Seat dowls.
Align and attach Leg Frame using Screws(D) with Allen Key(F)

Caution : At this stage, LOOSELY FASTEN these bolts

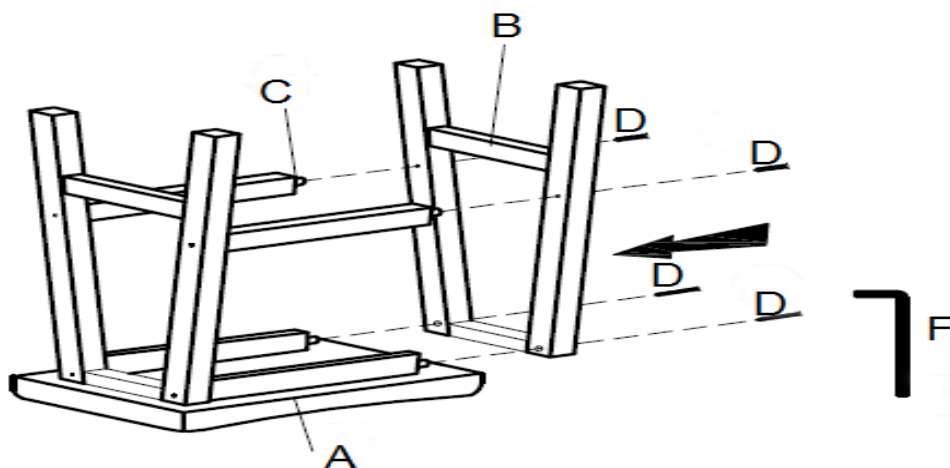
Step 3



Insert Bench Rail(C) into the Leg Frame(B) as shown above.
Then, attach using Screw(D) with Allen Key(F).

Caution : At this stage, LOOSELY FASTEN these bolts

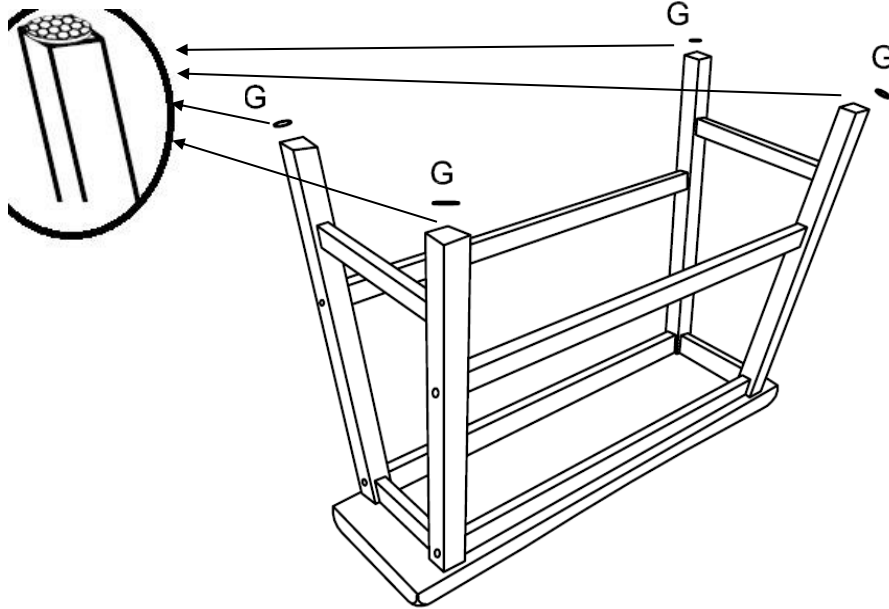
Step 3



Slide the Leg Frame(B) into the bottom of Bench Seat dowls and Bench Rails(C).
Secure using Screws with Allen Key(F),

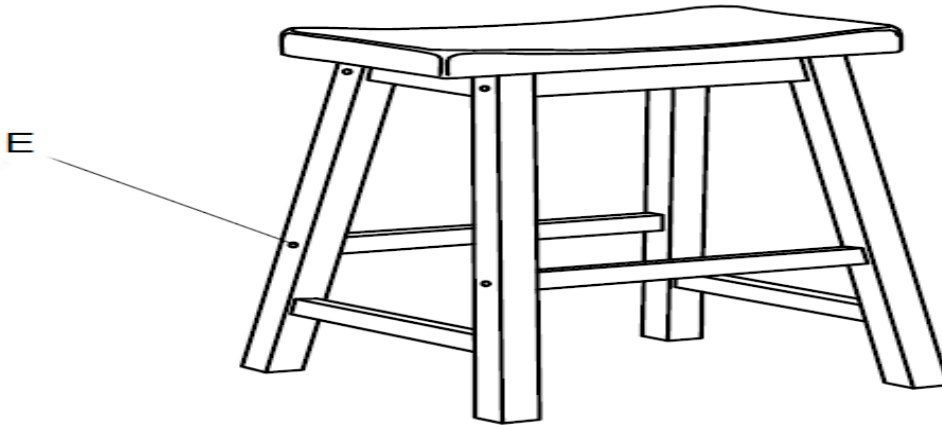
Proceed to tighten all the bolts

Step 4





















Adhere the Foam Pads(G) under the Legs.



Step 5



Stand the Stool rightside up.
Insert the wood button(E) into the leg support rail screw Hole
Your Spindle Back Chair is ready for use.

Care & Maintenance

-   ● Do not put hot items directly on furniture surface
-   ● Do not clean furniture with harsh cleansers or polish.
-   ● Do not place furniture under direct sunlight.
-   ● Do not place furniture near heating or cooling vents.
-   ● Do not write on furniture without a padded barrier to protect the surface.
-   ● Do not place furniture outside . For indoor use only .
-   ● Not for commercial use. For residential use only .
-   ● Stains may be removed with mild soap solution and damp cloth.
-   ● Children should not climb or jump on the furniture.

-
-   ● Dust and pick-up spills using a clean, non-colored, lint-free cloth .

What is Proposition 65?

Proposition 65 is a California law that requires warning labels on products that may contain one of more than 800-plus chemicals or ingredients that the California Office of Environmental Health Hazard Assessment (OEHHA) has deemed to cause cancer or other reproductive toxicity. Chemicals and elements on this list include wood dust, brass, and other everyday substances, which can be found in very common household items, such as: lamps, tableware, jewelry, crystal glasses, electric cords, beauty products, automobiles, and furniture.

Why Did I Find a Proposition 65 Warning on My Home Goods Product?

We include Proposition 65 warnings on all of our products because there is always a chance that one of the 800-plus common chemicals and ingredients listed under this law could potentially be on our furniture or packing materials. We risk large fines under this law, if we don't include this warning.

Should I worry?

We realize you may be worried finding this warning on our products, but we want to reassure you that the hazardous exposure limits for any of these chemicals have never been found on furniture products that we've shipped to our customers. Additionally, this warning label is very common and can be found on almost every piece of furniture sold in the state of California.

Just How Common Are Proposition 65 Warnings?

Proposition 65 warnings have become so common in California that it is hard to take a trip to a local bank, grocery store, or restaurant without finding at least one warning. In fact, even the Disney Land Resort has a Proposition 65 warning:

