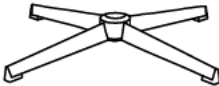

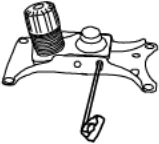
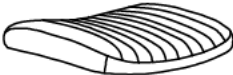
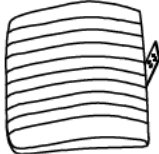


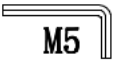


<p>Ax1</p> 	<p>Bx1</p> 
<p>Cx1</p> 	<p>Dx1</p> 
<p>Ex1</p> 	<p>Fx4</p>  5/16x22mm
<p>Gx4</p>  5/16x30mm	<p>Hx1</p>  M5

