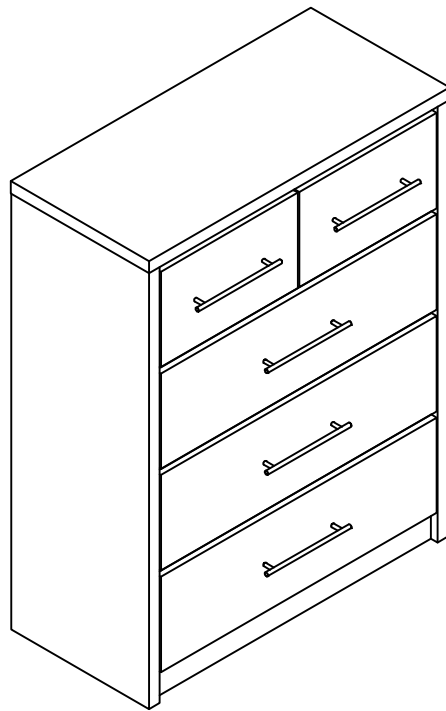


3+2 DRAWER CHEST ASSEMBLY INSTRUCTIONS



FOR DOMESTIC USE ONLY
IMPORTANT
PLEASE READ BEFORE YOU CONTINUE FURTHER

THE PRODUCT YOU HAVE PURCHASED WILL GIVE YOU MANY YEARS OF SERVICE IF YOU FOLLOW THE GUIDELINES FOR ITS SAFE ASSEMBLY AND PERIODIC MAINTENANCE **AND CLEANING.**

ASSEMBLE ON A SOFT CLEAN **SURFACE.**

DO NOT USE ANY TOOLS OTHER THAN THOSE **SHOWN.**

ANY SPANNERS OR ALLEN KEYS REQUIRED ARE INCLUDED WITH THE **FITTINGS KIT.**

DO NOT FOR ANY REASON USE A POWER TOOL TO ASSEMBLE THIS PRODUCT. ITS USE WILL INVALIDATE ANY CLAIM YOU MAY HAVE AND COULD MAKE THIS PRODUCT UNSAFE.

DEPENDING ON THE AMOUNT OF USE THIS PRODUCT RECEIVES, IT MAY BE NECESSARY TO TIGHTEN UP THE FIXINGS FROM TIME TO TIME. THIS IS COMPLETELY NORMAL FOR ANY FLAT PACK FURNITURE. DO NOT OVERTIGHTEN FIXINGS.














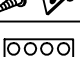
FOR CLEANING, YOU MAY USE A DAMP CLOTH (NOT WET). DO NOT USE POLISH, DETERGENT OR CHEMICAL CLEANERS.

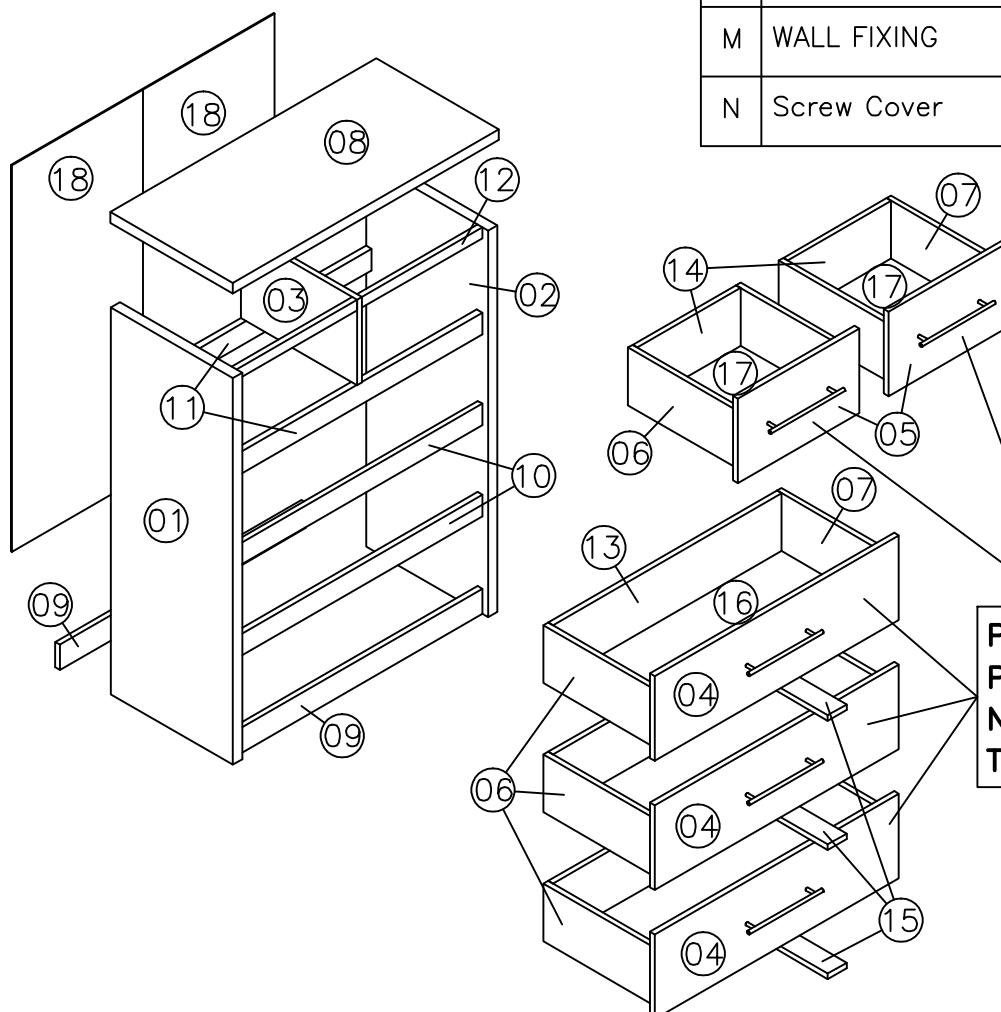
THE SURFACE OF THIS ITEM IS NOT HEAT RESISTANT. ALWAYS USE A PLACE MAT UNDER HOT OR COLD ITEMS TO PREVENT MARKING.

PART LIST

No.	Part Name	QTY
1	Left Side Panel	x1
2	Right Side Panel	x1
3	Centre Panel	x1
4	Drawer Front Large	x3
5	Drawer Front Small	x2
6	Left Drawer Side	x5
7	Right Drawer Side	x5
8	Top Panel	x1
9	Crossbar	x2
10	Centre Support	x2
11	Support Top	x2
12	Support Panel	x2
13	Drawer Back Large	x3
14	Drawer Back Small	x2
15	Drawer Support	x3
16	Drawer Base Large	x3
17	Drawer Base Small	x2
18	Back Panel	x2

HARDWARE LIST

	Part Name		QTY
A	Wooden Dowel		x36
B	60mm Screw		x12
C	16mm Screw		x48
D	38mm Screw		x23
E	Cam Bolt		x21
F	Cam Nut		x21
G	10" Handle (192mm)		x5
H	20mm Handle Screw		x10
I	14" Drawer Slide		5 Set
J	PVC L –Bracket		x2
K	Plastic Foot		x6
L	Nail		x52
M	WALL FIXING		x1
N	Screw Cover		x12

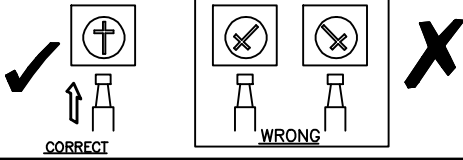


!

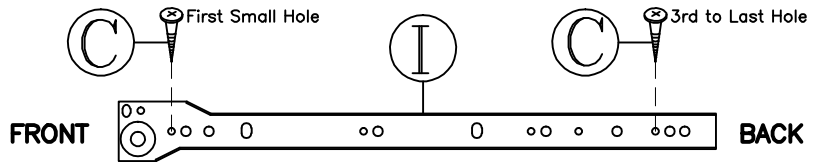
PLEASE NOTE THE CLEAR PROTECTIVE FILM WHICH NEEDS REMOVING FROM THE GLOSS FINISH.

When Fitting Cams

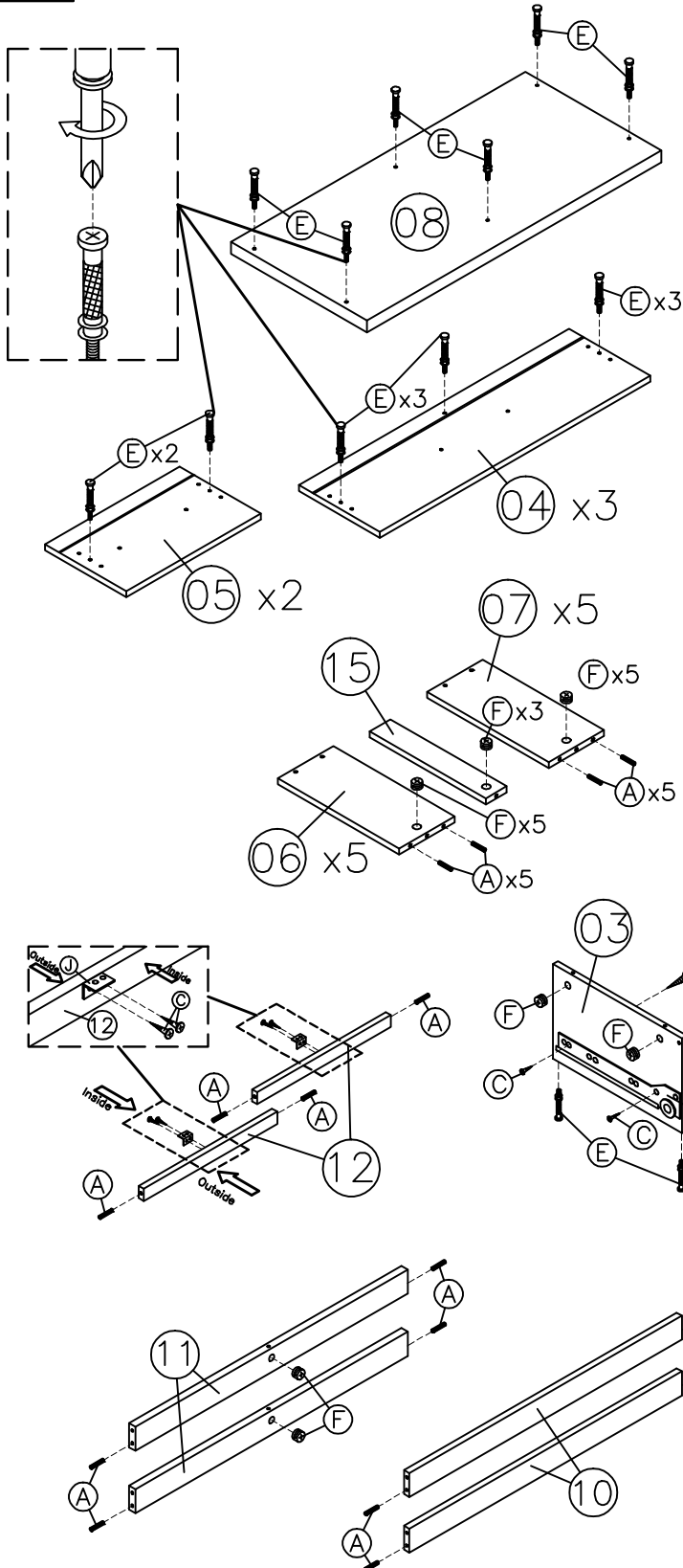
Ensure starting position correct before you insert connecting bolt turn clockwise until secure.



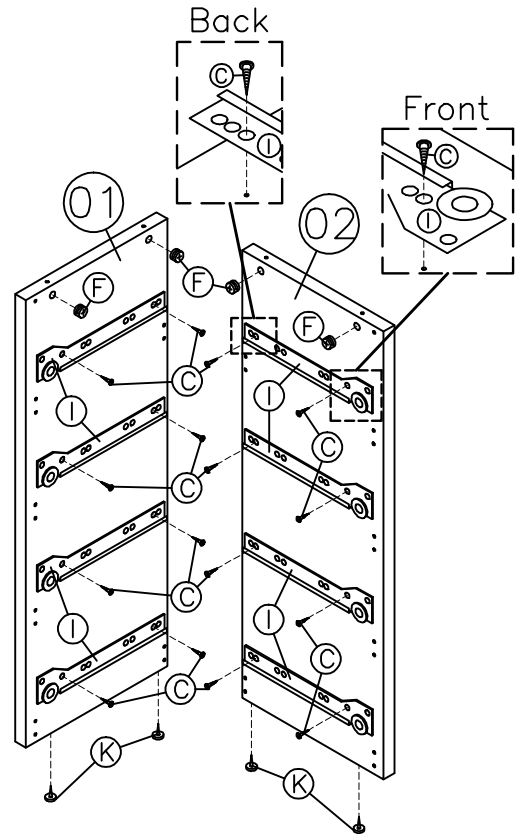
To Assemble the Drawer Slide. Please Follow Step as Below



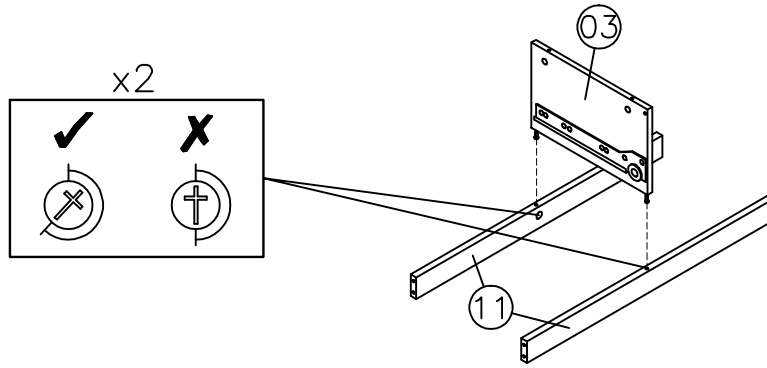
STEP 1



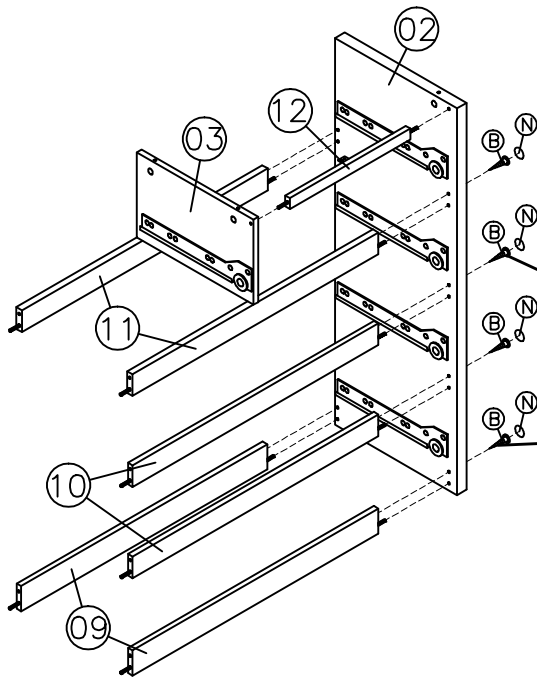
A	Wooden Dowel		x36
C	16mm Screw		x24
E	Cam Bolt		x21
F	Cam Nut		x21
I	14" Drawer Slide		5 Set
J	PVC L – Bracket		x2
K	Plastic Foot		x6


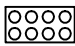


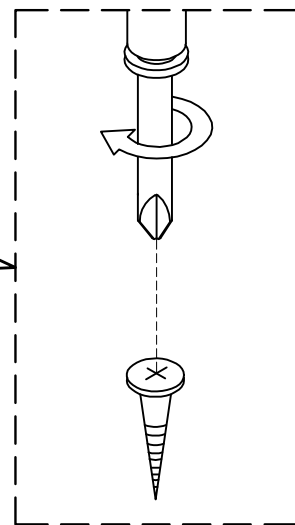
STEP 2



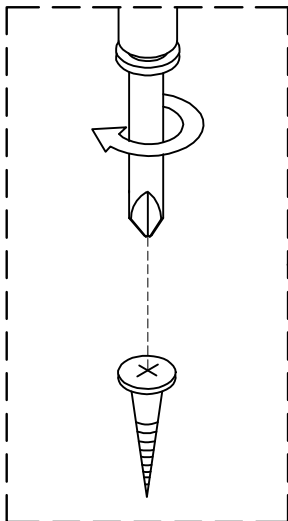
STEP 3


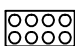


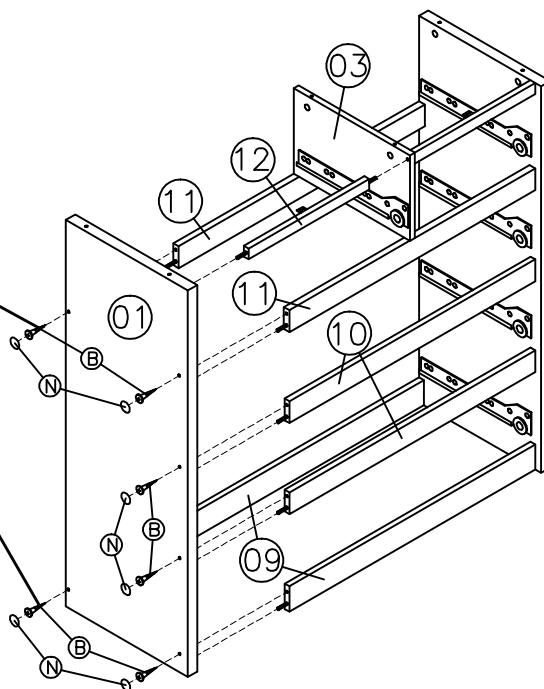
B	60mm Screw		x6
N	Screw Cover		x6



STEP 4



B	60mm Screw		x6
N	Screw Cover		x6

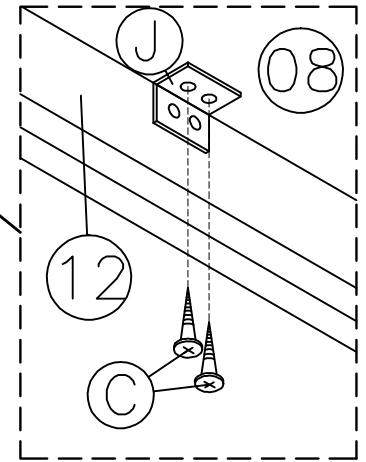
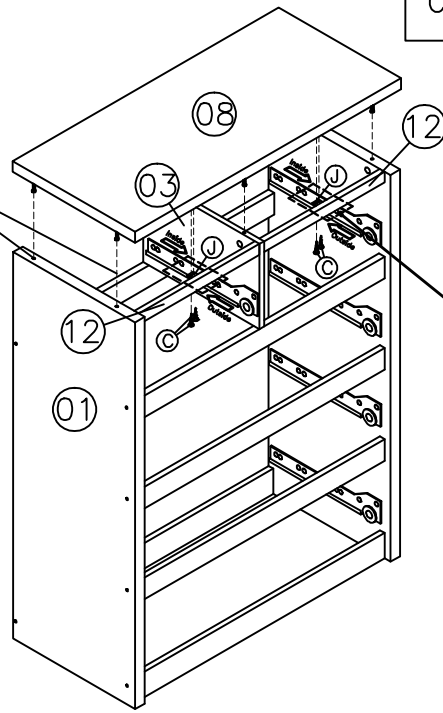
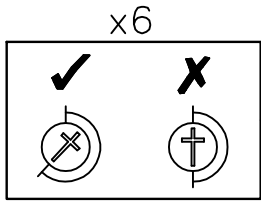


STEP 5

C 16mm Screw



x4

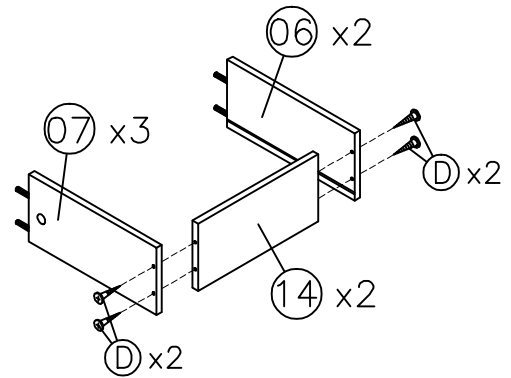
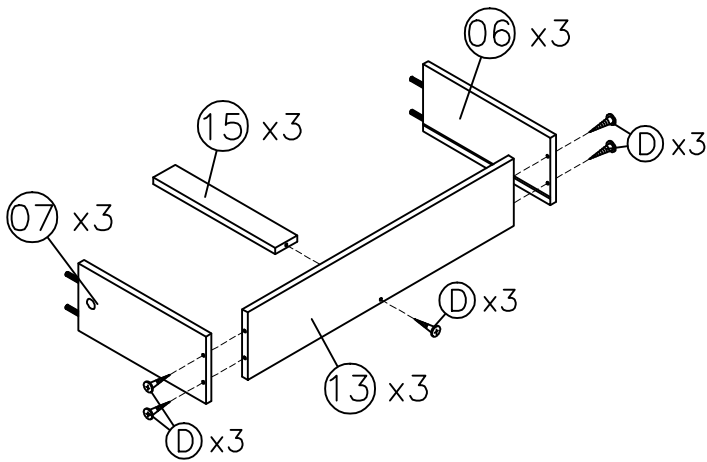


STEP 6

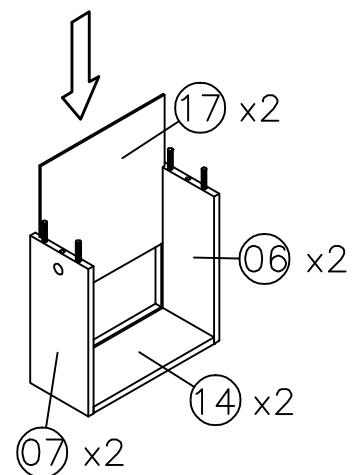
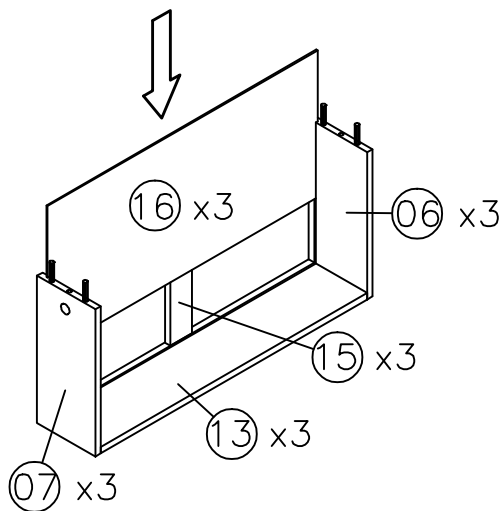
D 38mm Screw



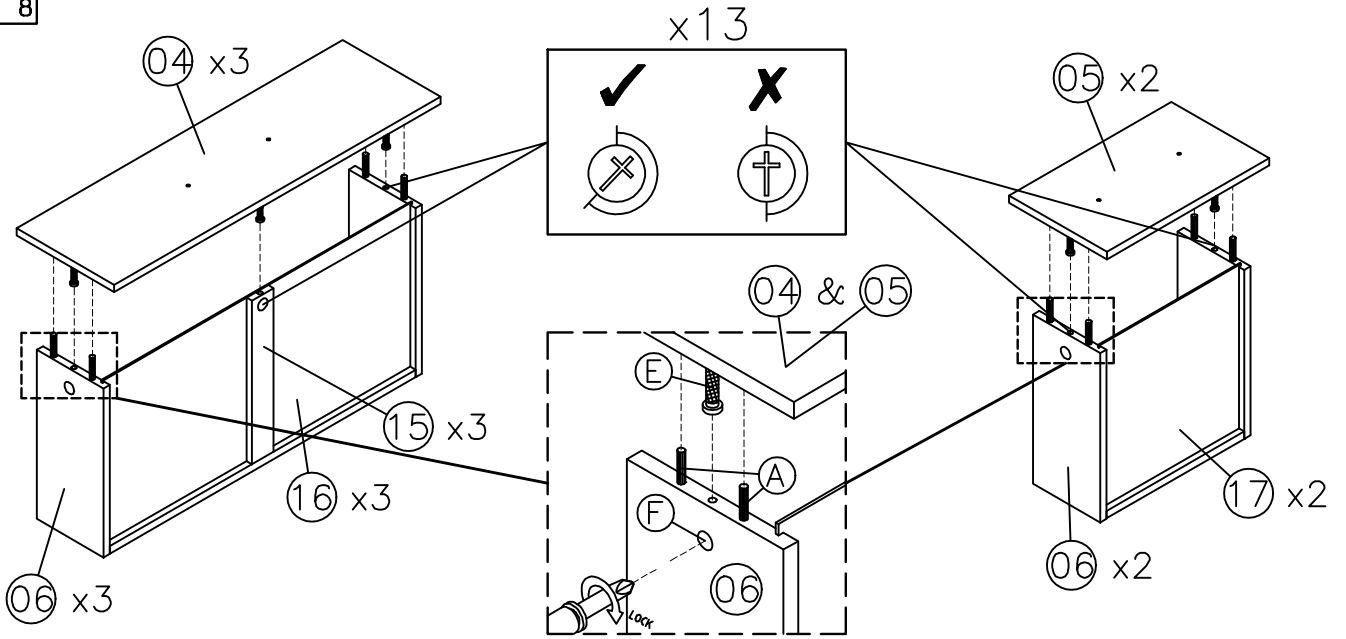
x23



STEP 7

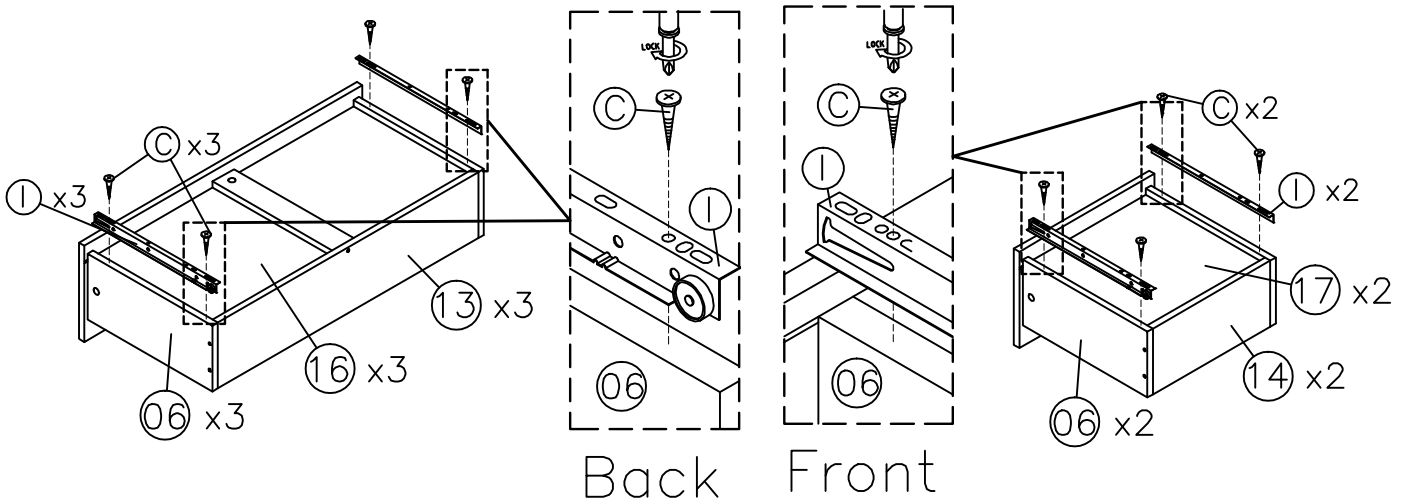


STEP 8





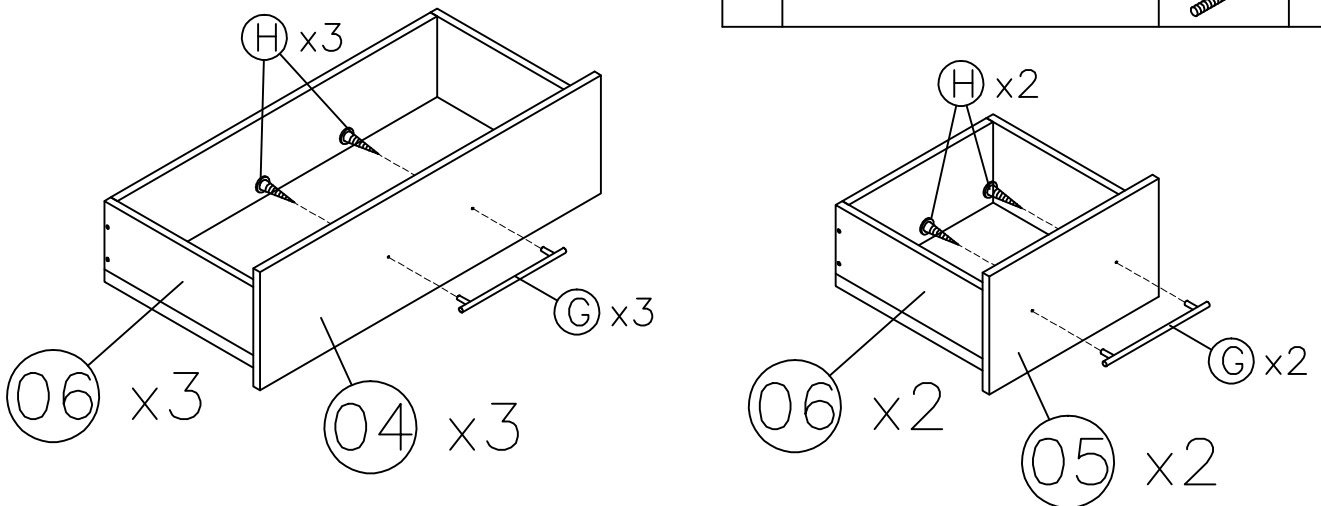
STEP 9

C	16mm Screw		x20
I	14" Drawer Slide		5 Set



STEP 10

G	10" Handle (192mm)		x5
H	20mm Handle Screw		x10



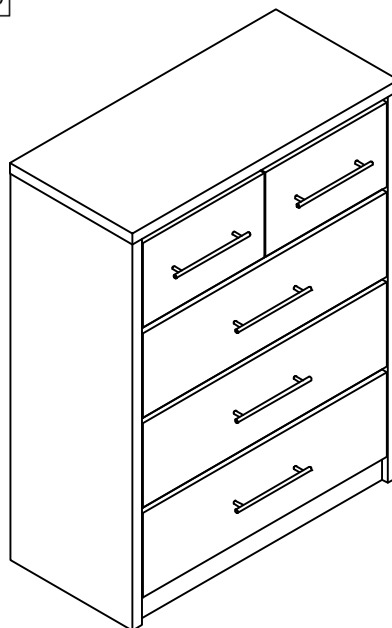
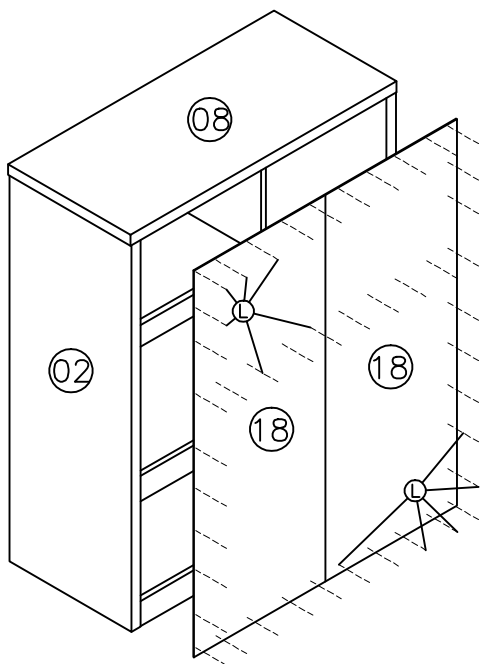
STEP 11

L Nail



x52

STEP 13



FINISH

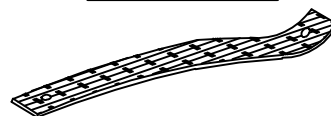
STEP 12

WARNING

Serious or fatal injuries can occur from furniture tipping over. To prevent the furniture from tipping over we recommend that it is permanently fixed to the wall.

Wall fixings are not supplied with this product as different wall materials require different types of fixing devices. Please make sure you use fixings suitable for the walls in your home.

HARDWARE LIST



Anti-Tip Strap – 1pc



Screw 16mm – 1pc



Screw 25mm – 1pc

