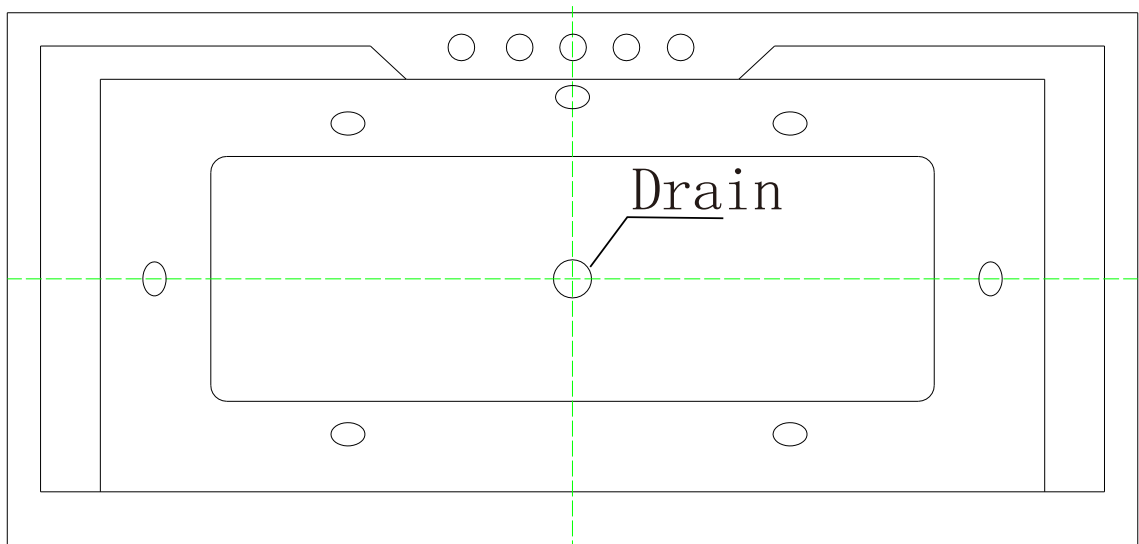
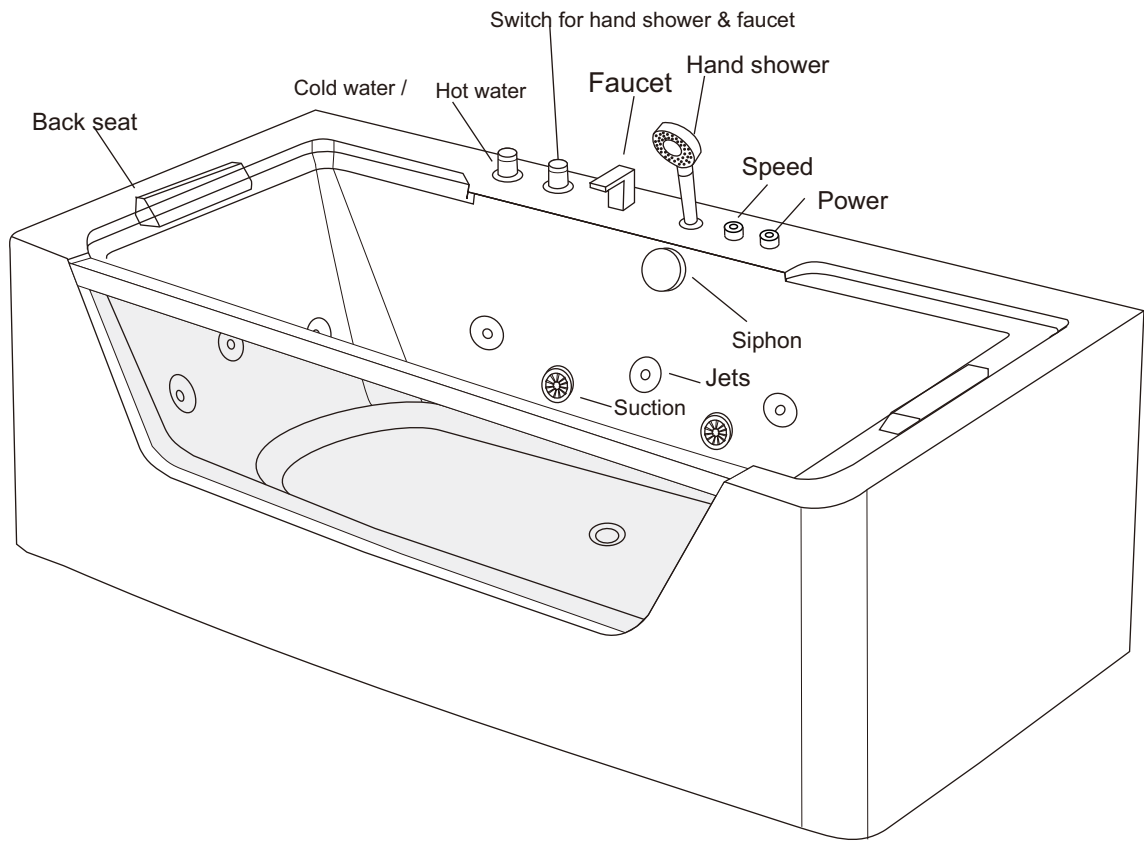
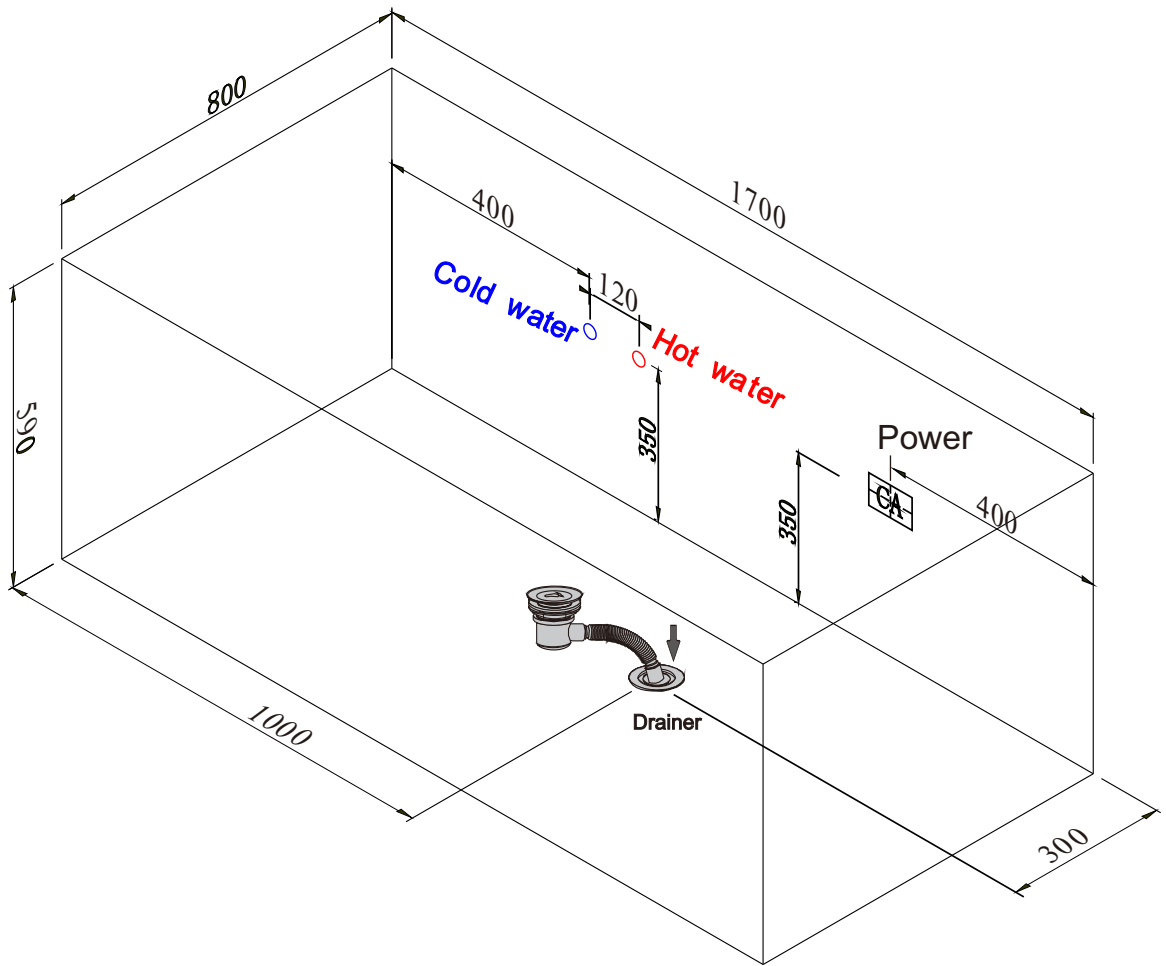



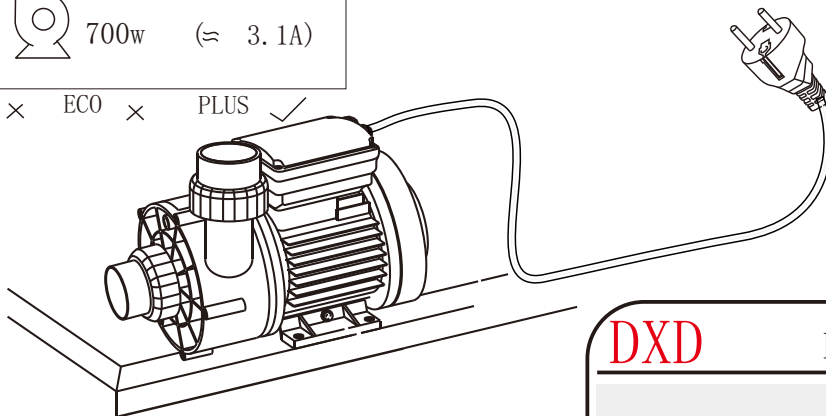
800x1700x590mm





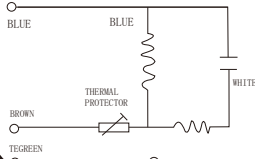
+  700w (≈ 3.1A)




VITAL × ECO × PLUS ✓




DXD PUMP

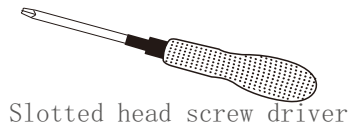
MAX WATER TEMPERATURE 50C 15μ F/450V Hmin 1m



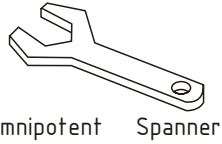






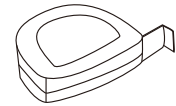
Ground properly!
Do Not Start Pump
Without Water!



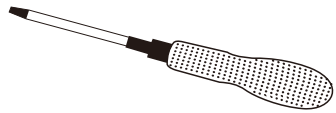
Slotted head screw driver



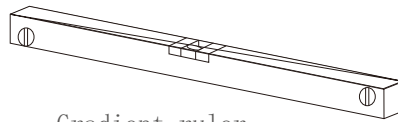
Omnipotent Spanner



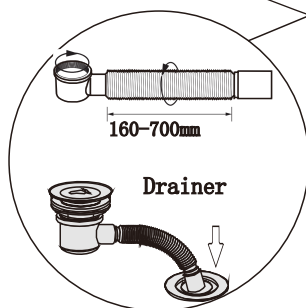
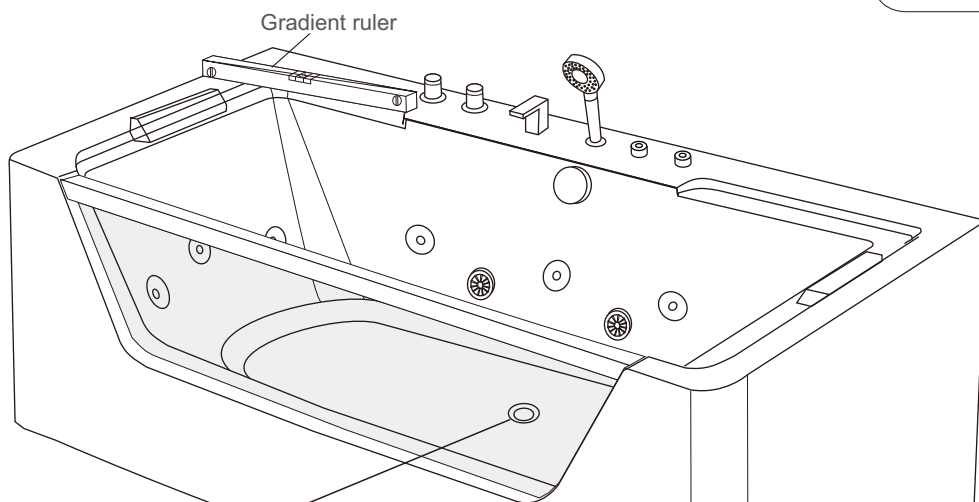
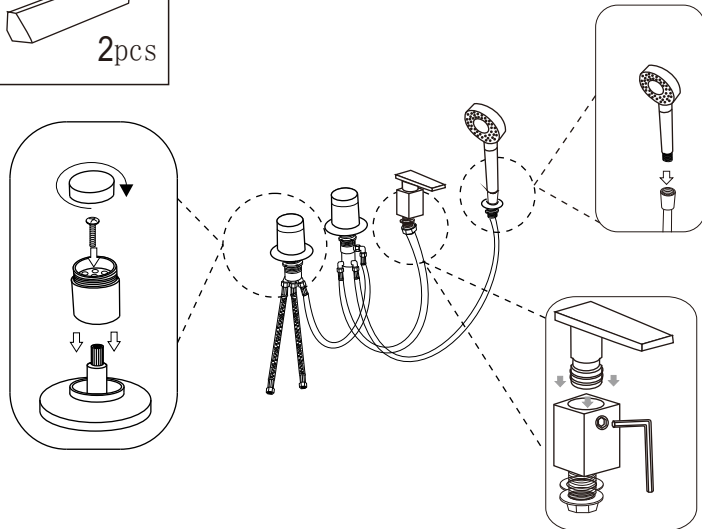
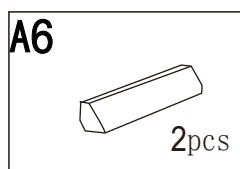
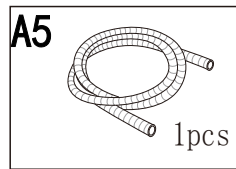
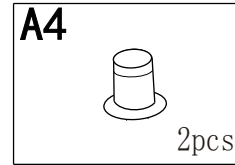
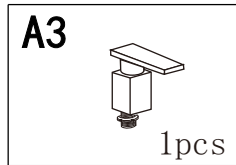
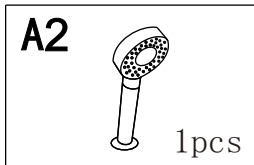
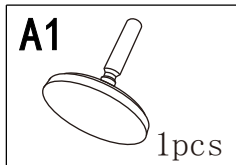
Tape measure



Cross head screw driver

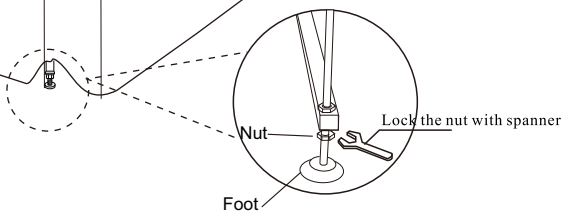


Gradient ruler



160-700mm

Drainer



Nut

Lock the nut with spanner

Foot