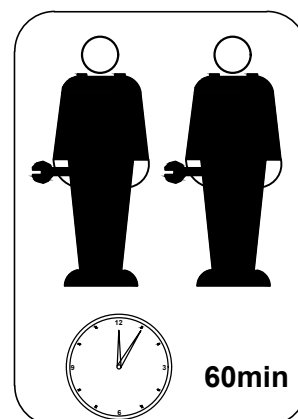
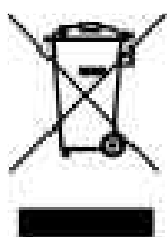
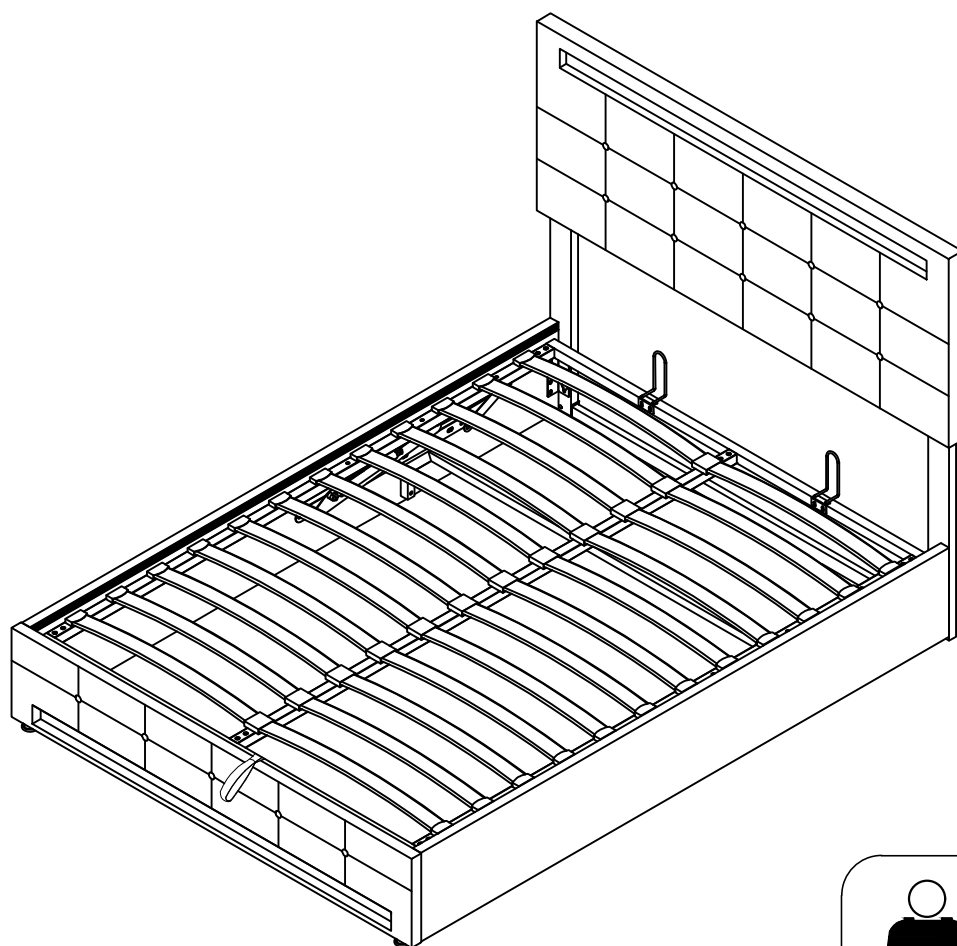


ASSEMBLY INSTRUCTIONS

This set comes in 2 boxes. If you do not receive a full 2 boxes, please contact our customer service.

Upholstered bed-135*190CM



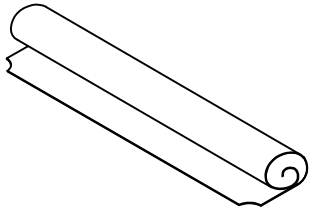
INSTRUCTIONS

IMPORTANT-READ CAREFULLY-RETAIN FOR FUTURE REFERENCE

- a) WARNING** -Children can become trapped between the bed and the wall, the adjoining pieces of furniture (e.g. cupboards) and the lke. To avoid risk of serious injury the distance between the safety barrier and the adjoining structure shall not exceed 75 mm or shall be more than 230 mm.
- b) WARNING**-Do not use the bed if any structural part is broken or missing; Replacement parts are between requested from the manufacturer or the store.
- c) WARNING**-Do not climb or wiggle on any non-designated structures.
- d)** it is imperative to always follow the installation instructions and manufacturer's use.
- e)** The recommended size of the mattress to be used with the bed is 135cmx190cm,maximum thickness mattress:25cm.
- f)** It is necessary to ventilate the room in order to maintain a low level moisture and prevent mold growth in the bed and its periphery.
- g)** Joining devices should always be tightened properly and regularly verified. Tighten if necessary.

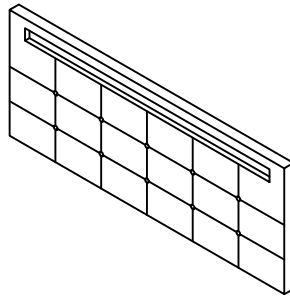
Part list

Aa



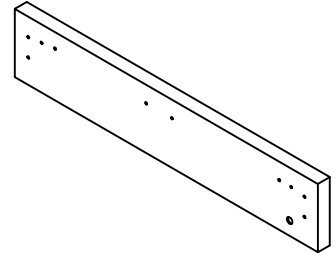
Non-woven Fabric-1PC

Ab



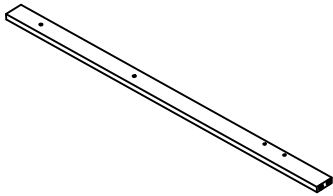
Headboard-1PC

B



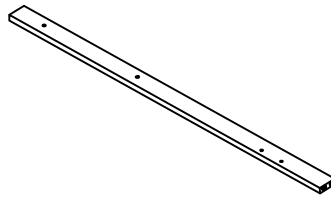
Footboard-1PC

C1



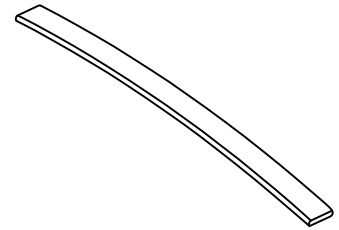
Leg Headboard (L)-1PC

C2



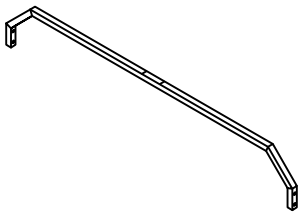
Leg Headboard (R)-1PC

E



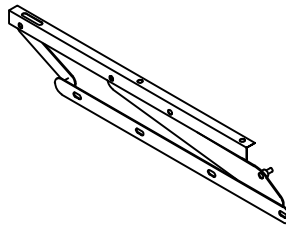
Slat-24PCS

Ha



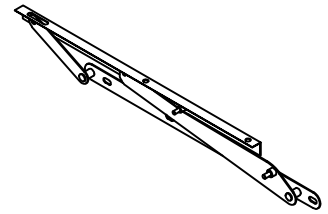
Bar Rail-1PC

H1



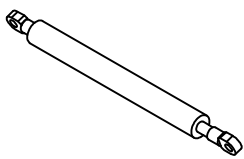
Hydraulic (L)-1PC

H2



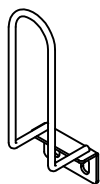
Hydraulic (R)-1PC

N1



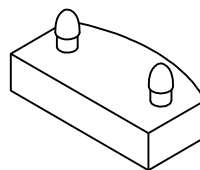
Hydraulic Bar-2PCS

N



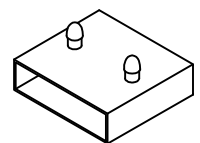
Block Bar-2PCS

O



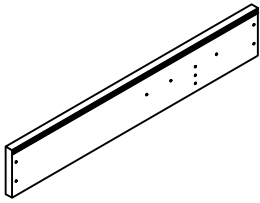
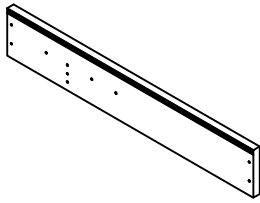
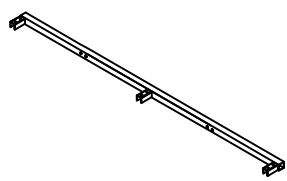
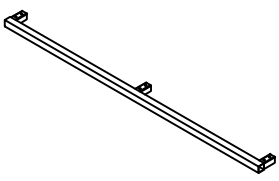
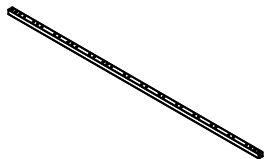
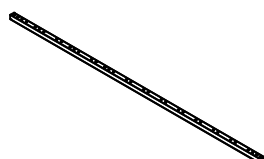
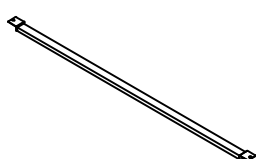
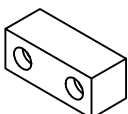
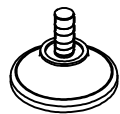
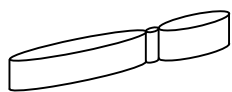
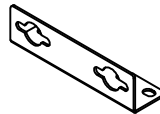
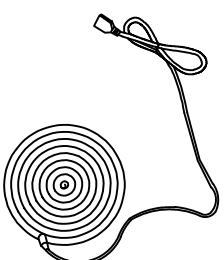
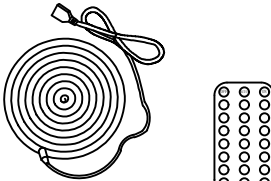
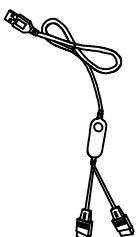
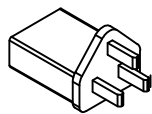
Plastic caps (Single)-24PCS

P

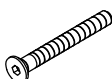






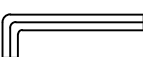
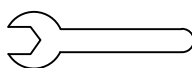


Plastic caps (Double)-12PCS

Part list

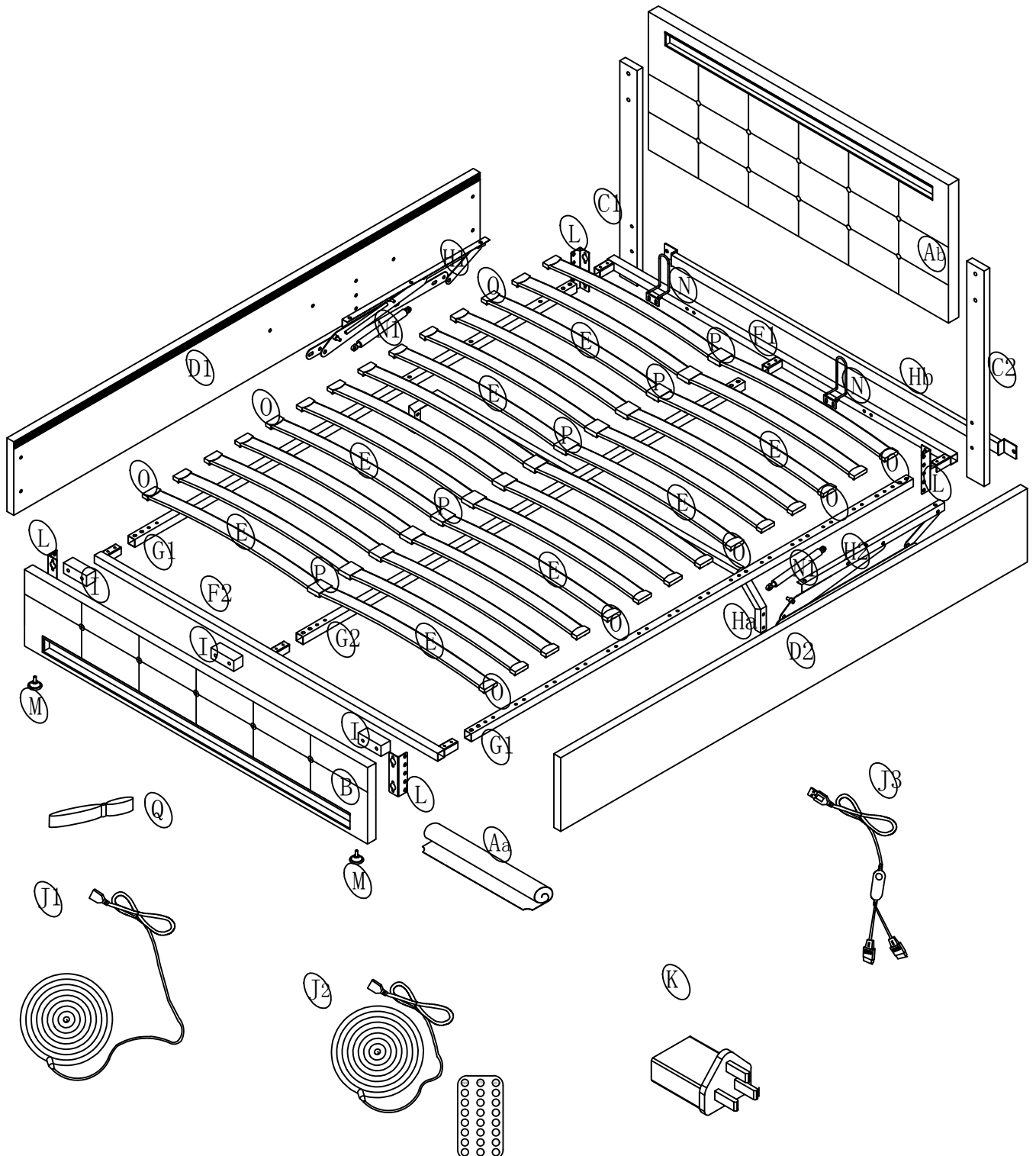
<p>D1</p>  <p>Facing customer Side Rail(L)-1PC</p>	<p>D2</p>  <p>Facing customer Side Rail(R)-1PC</p>	<p>F1</p>  <p>connect HB Front Rail-1PC</p>	<p>F2</p>  <p>connect FB Back Rail-1PC</p>
<p>G1</p>  <p>Side tube-2PCS</p>	<p>G2</p>  <p>Middle Rail-1PC</p>	<p>Hb</p>  <p>Bottom Rail-1PC</p>	<p>I</p>  <p>Plastic Block-3PCS</p>
<p>M</p>  <p>Legs-2PCS</p>	<p>Q</p>  <p>Straps-1PC</p>	<p>L</p>  <p>Indices "L"-4PCS</p>	<p>J1</p>  <p>FB light-1PC</p>
<p>J2</p>  <p>HB light-1PC</p>	<p>J3</p>  <p>light connetor-1PC</p>	<p>K</p>  <p>Adapter-1PC</p>	

Hardware list

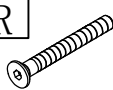

<p>R</p>  <p>M8*50mm 10PCS</p>	<p>S</p>  <p>M8*45mm 14PCS</p>	<p>T</p>  <p>M8*25mm 26PCS</p>	<p>U</p>  <p>M8*18mm 12PCS</p>	<p>V</p>  <p>M8 14PCS</p>
<p>W</p>  <p>ø17*ø8.5 6PCS</p>	<p>X</p>  <p>ø22*ø8.5 4PCS</p>	<p>Y</p>  <p>M8 1PC</p>	<p>Z</p>  <p>M8 1PC</p>	

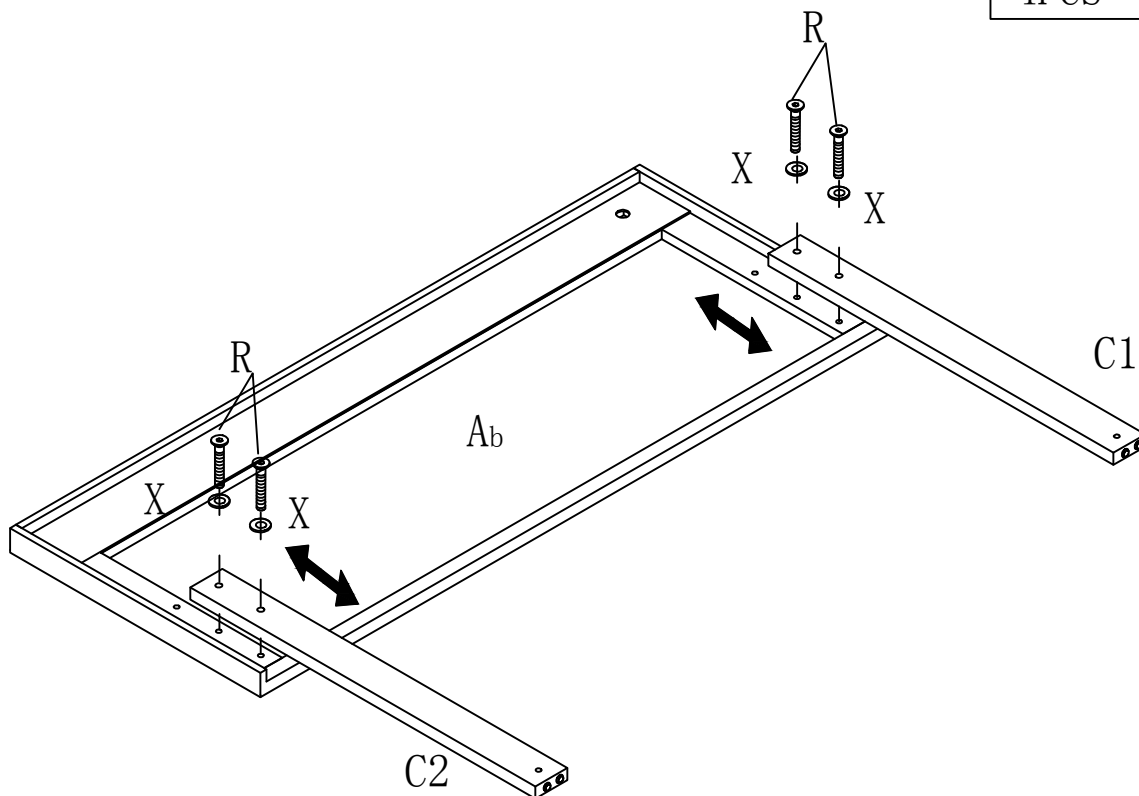
Detail View

NOTE: Please do not completely tighten all the hardware until the entire assembly is complete!



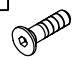
step1

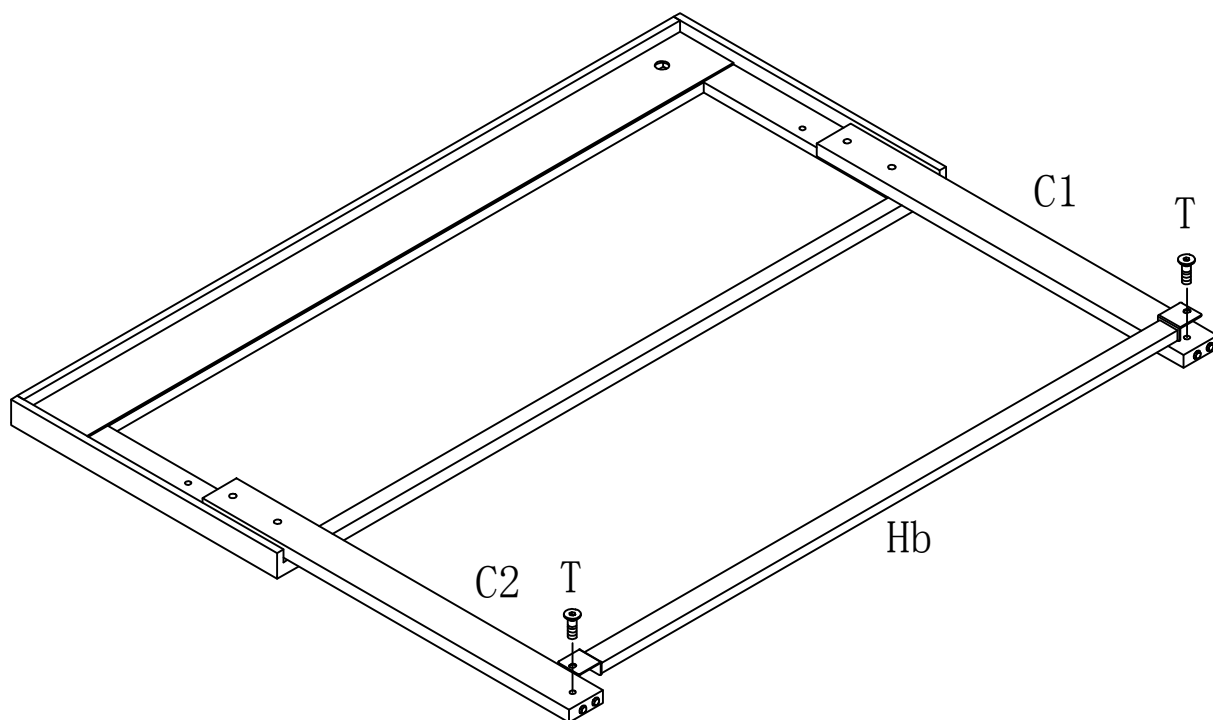
R	X
	
4PCS	4PCS



Headboard height is adjustable

step2

T

2PCS

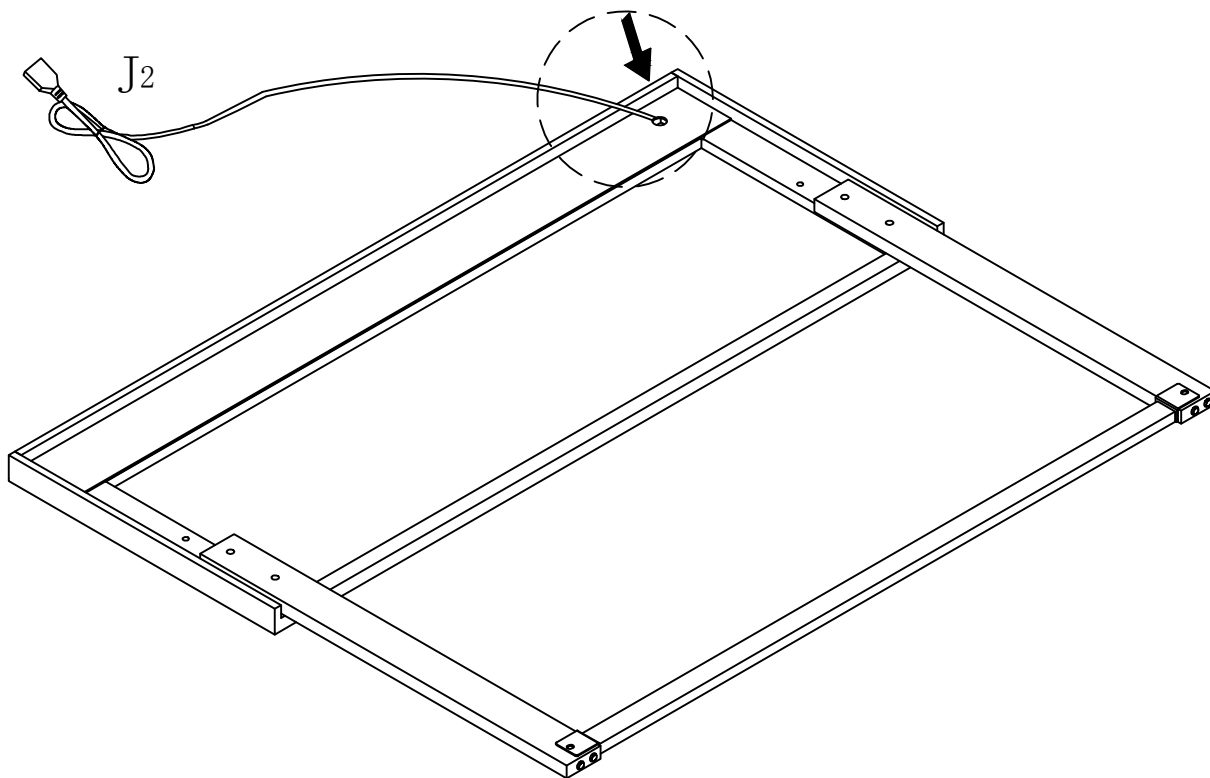


step3

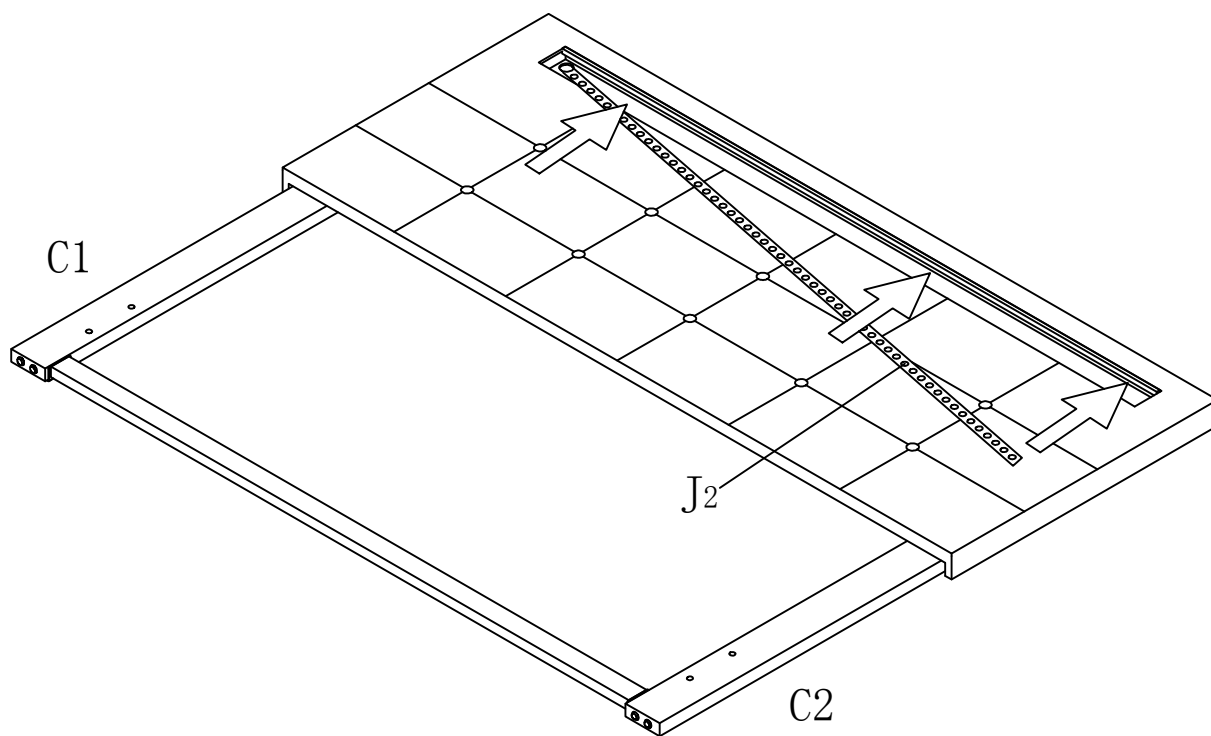
J2



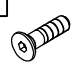
1PC

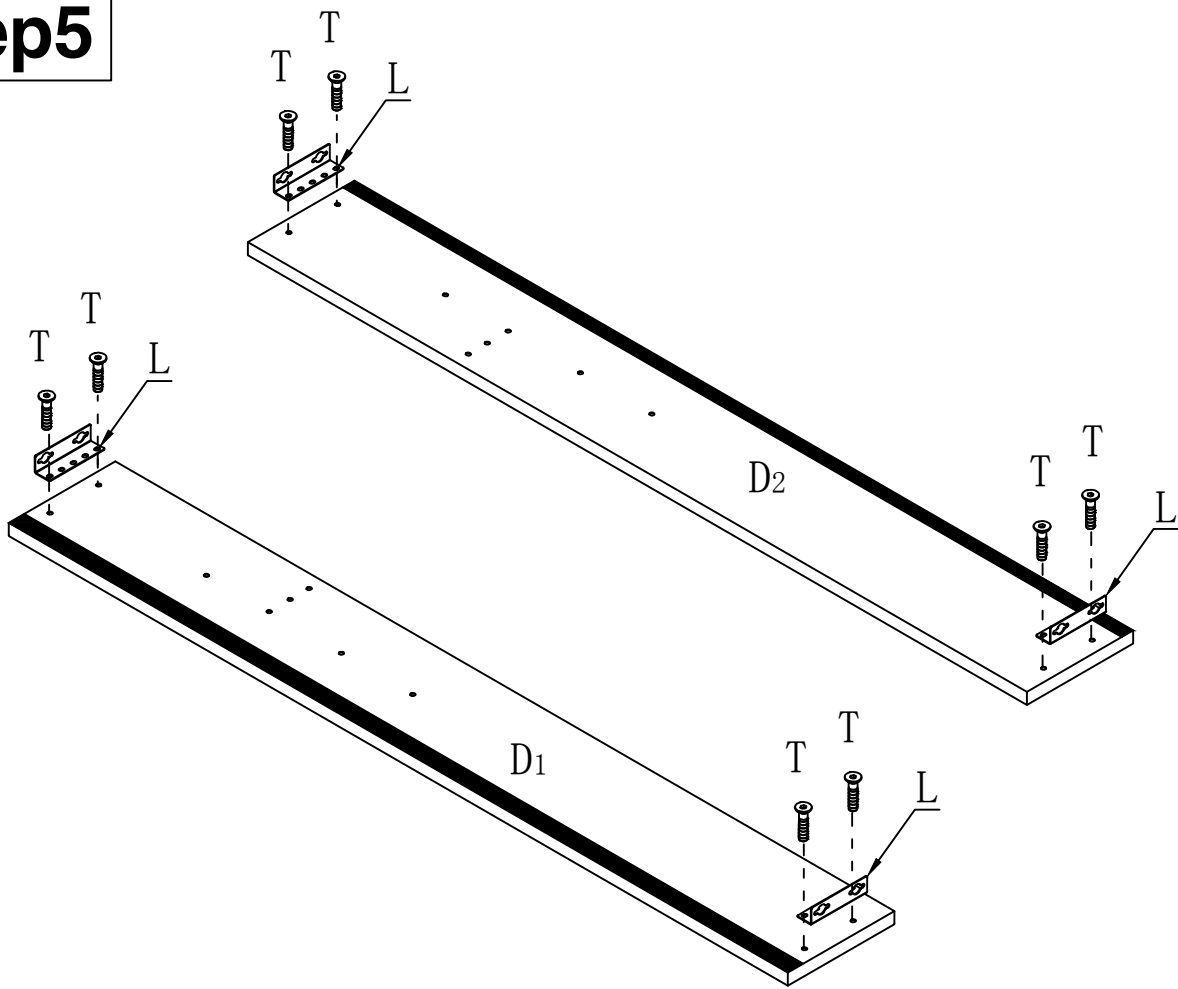


step4




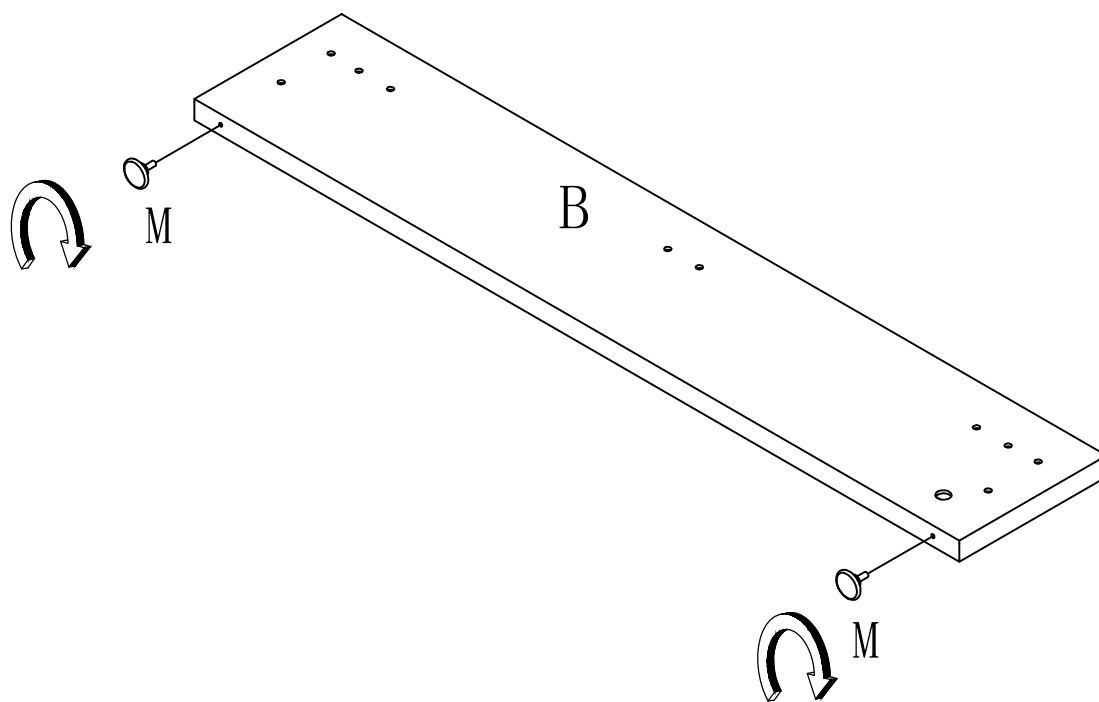
step5

T

8PCS




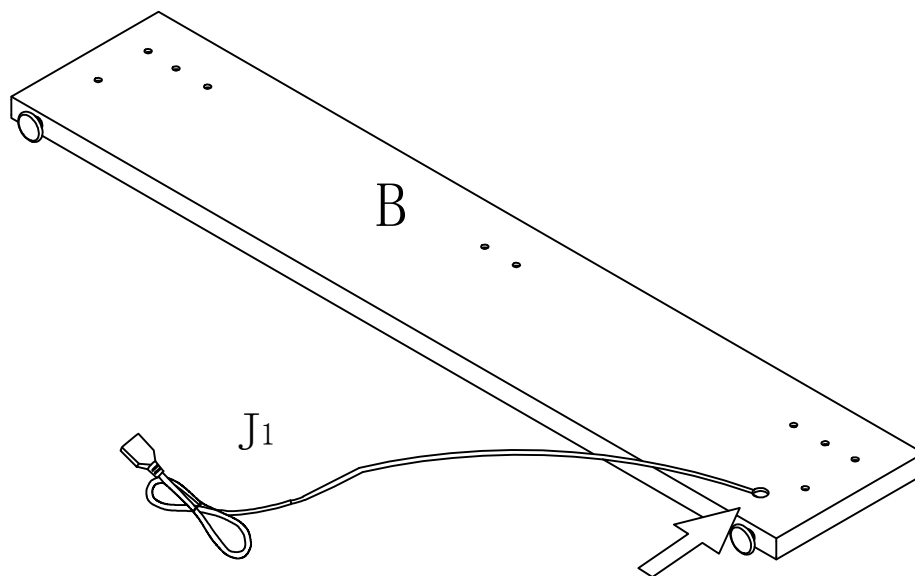
step6

M

2PCS

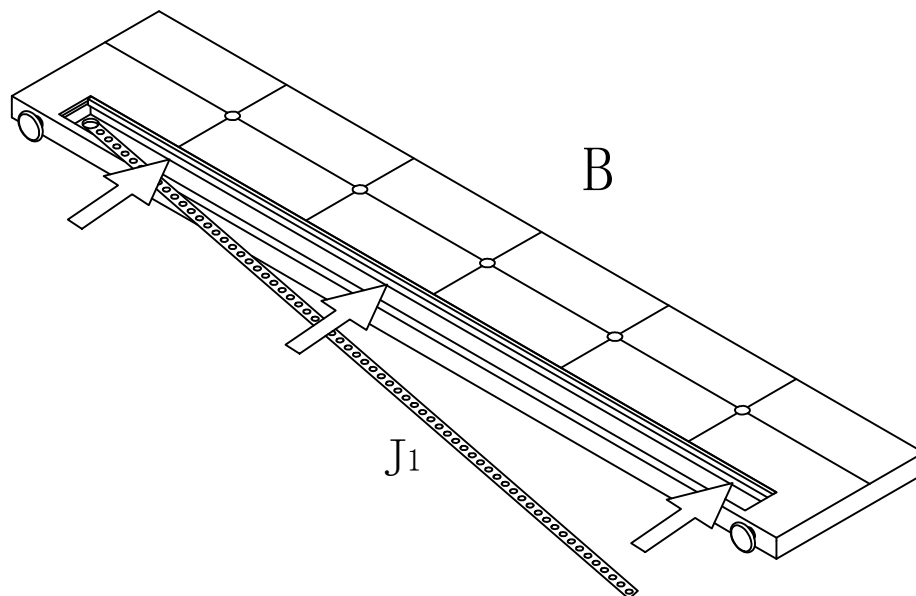


step7

J1 
1PC

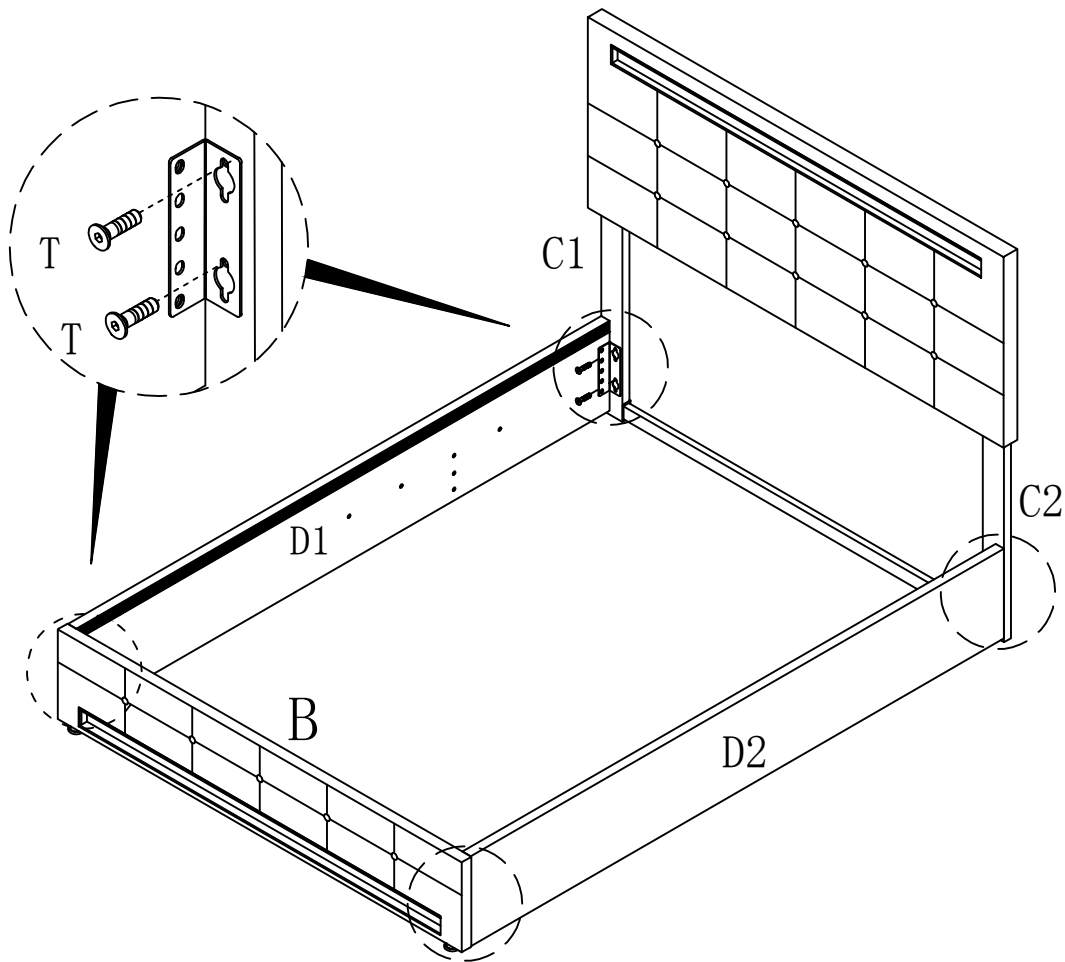


step8





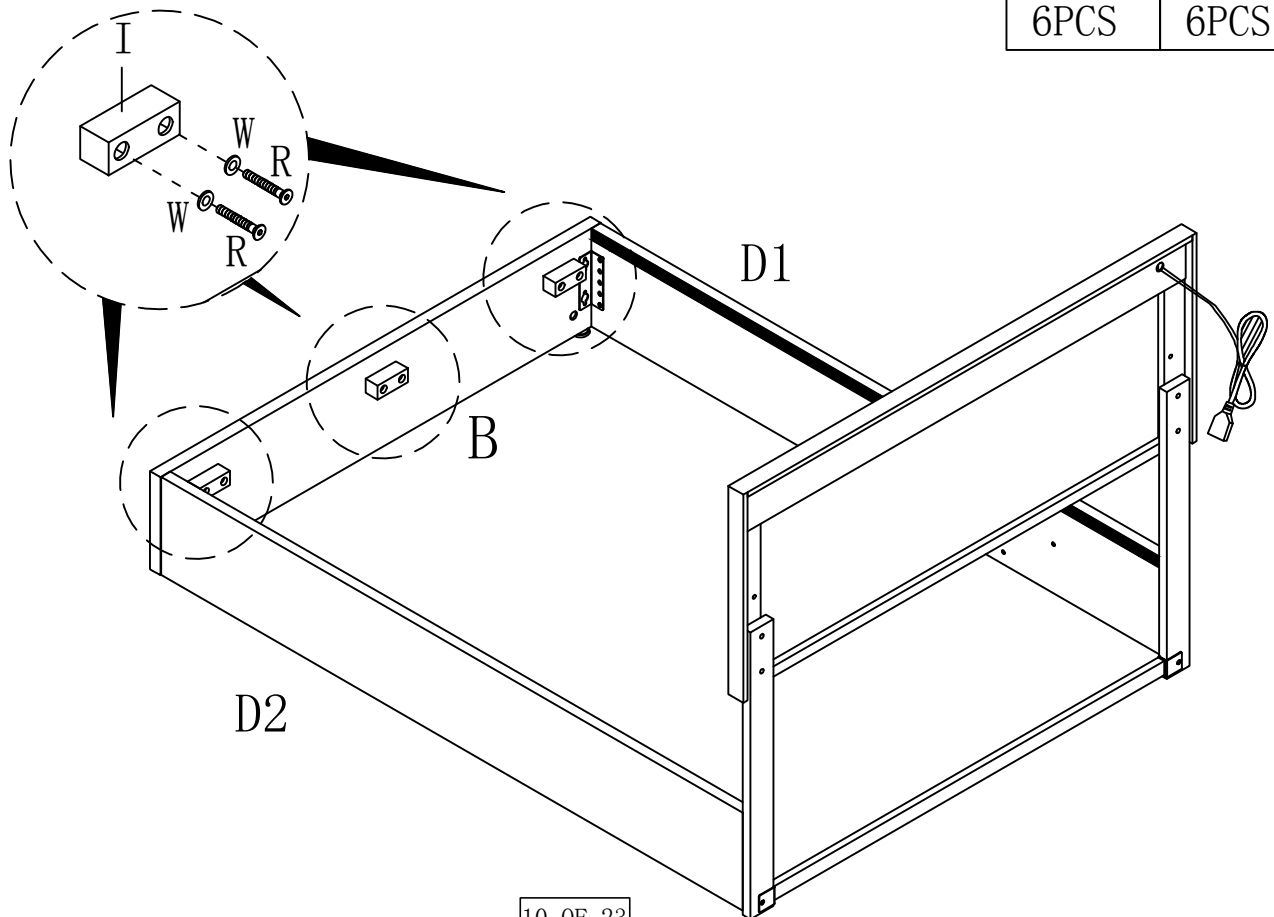
step9

T	
8PCS	

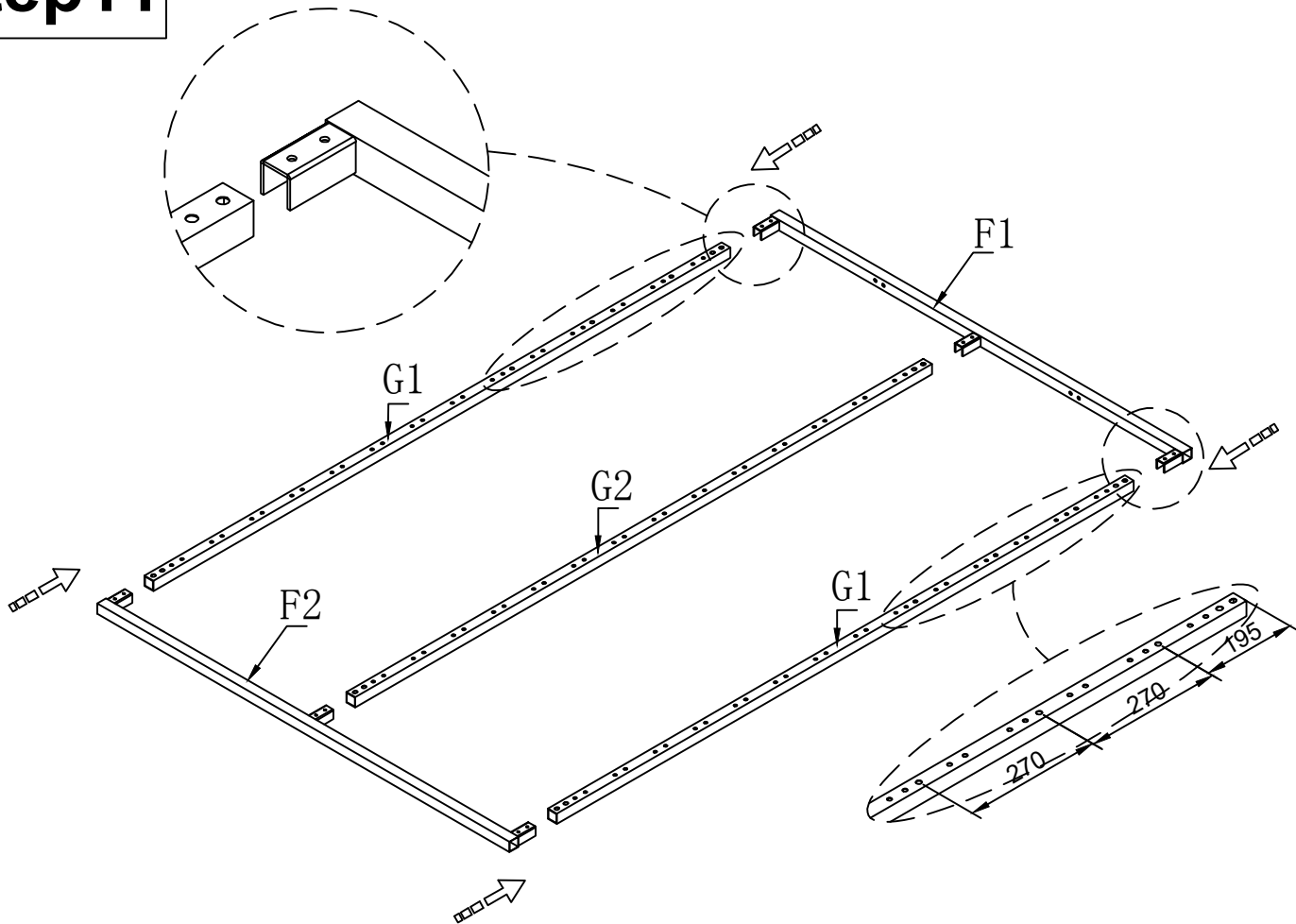


step10

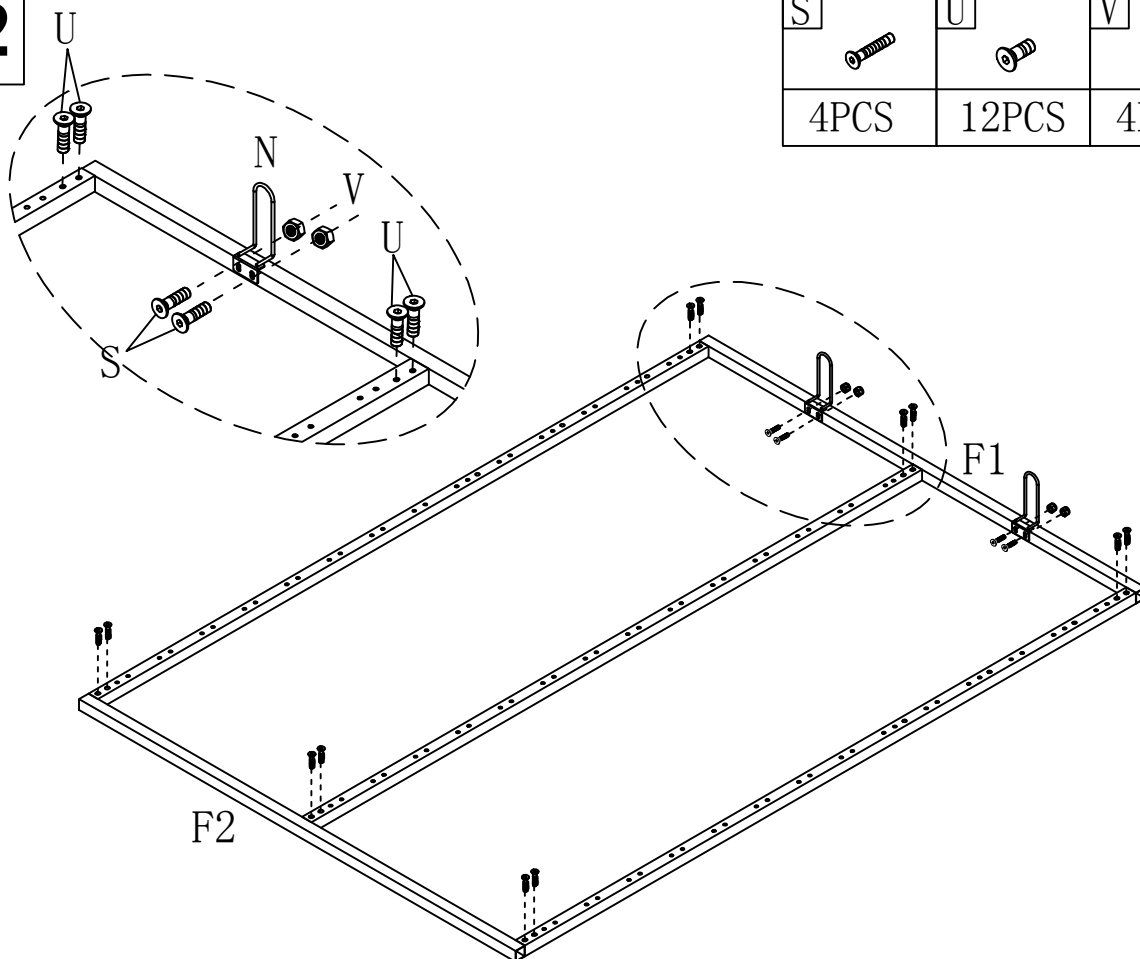
R		W	
6PCS		6PCS	



step11



step12



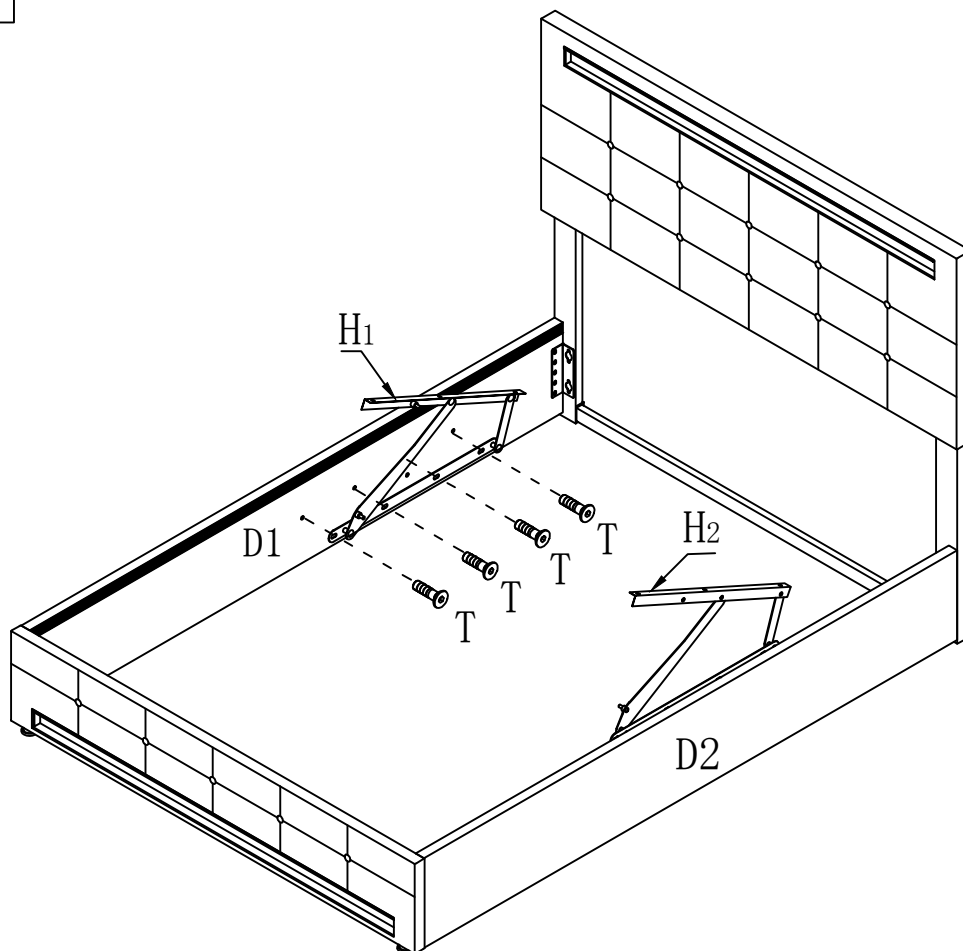
S	U	V
4PCS	12PCS	4PCS

step13

T



8PCS

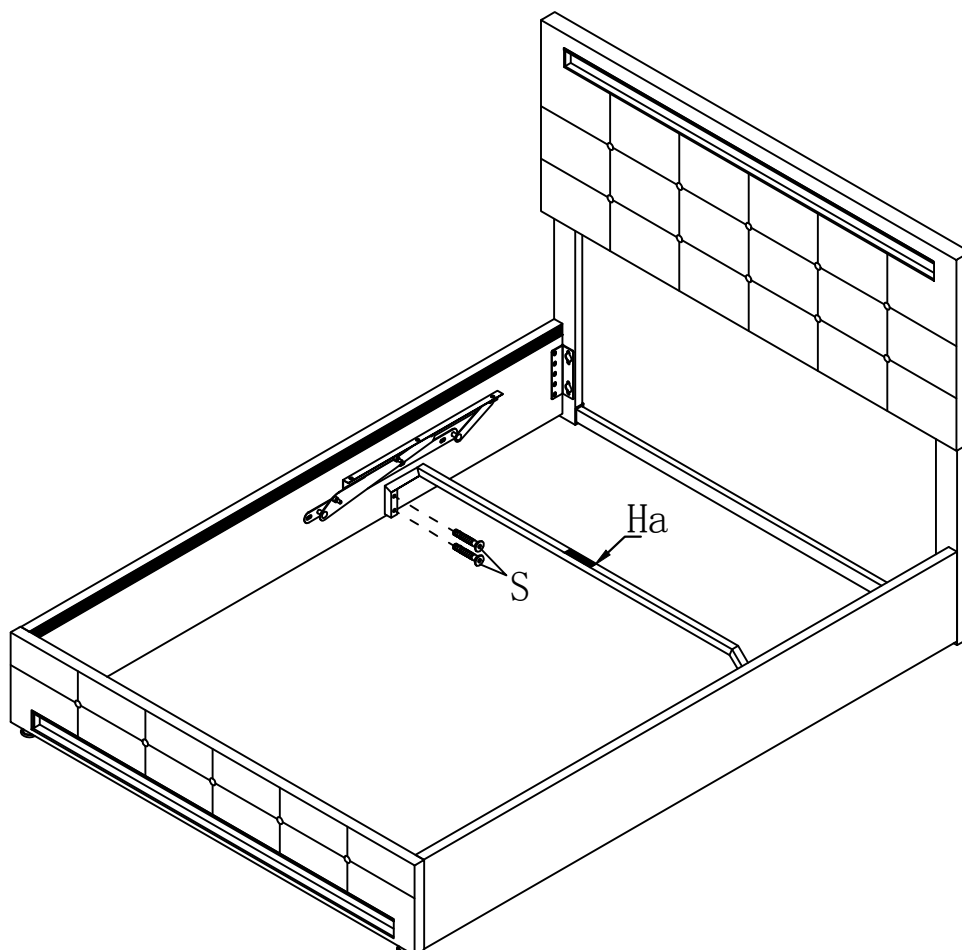


step14



S

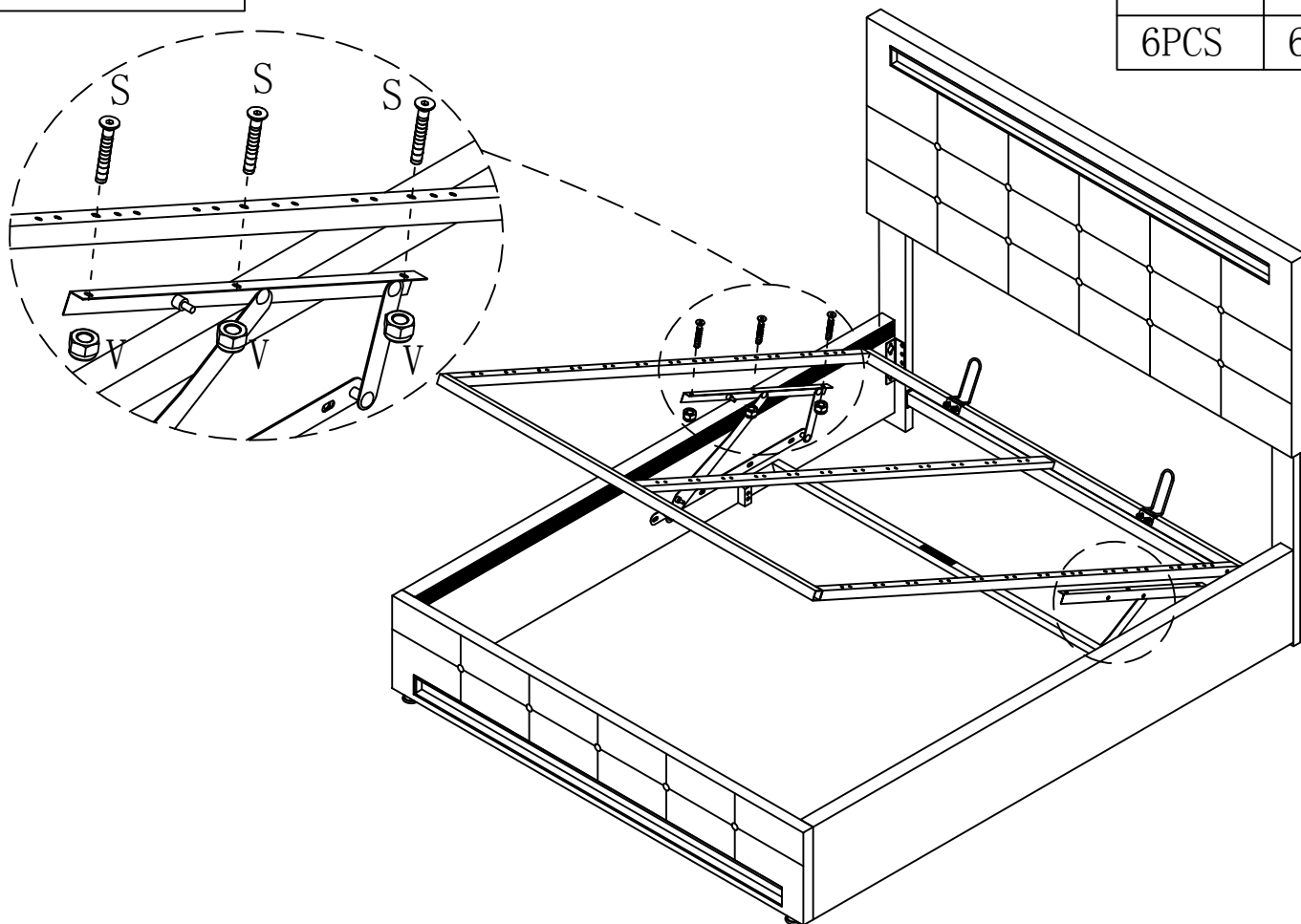


4PCS





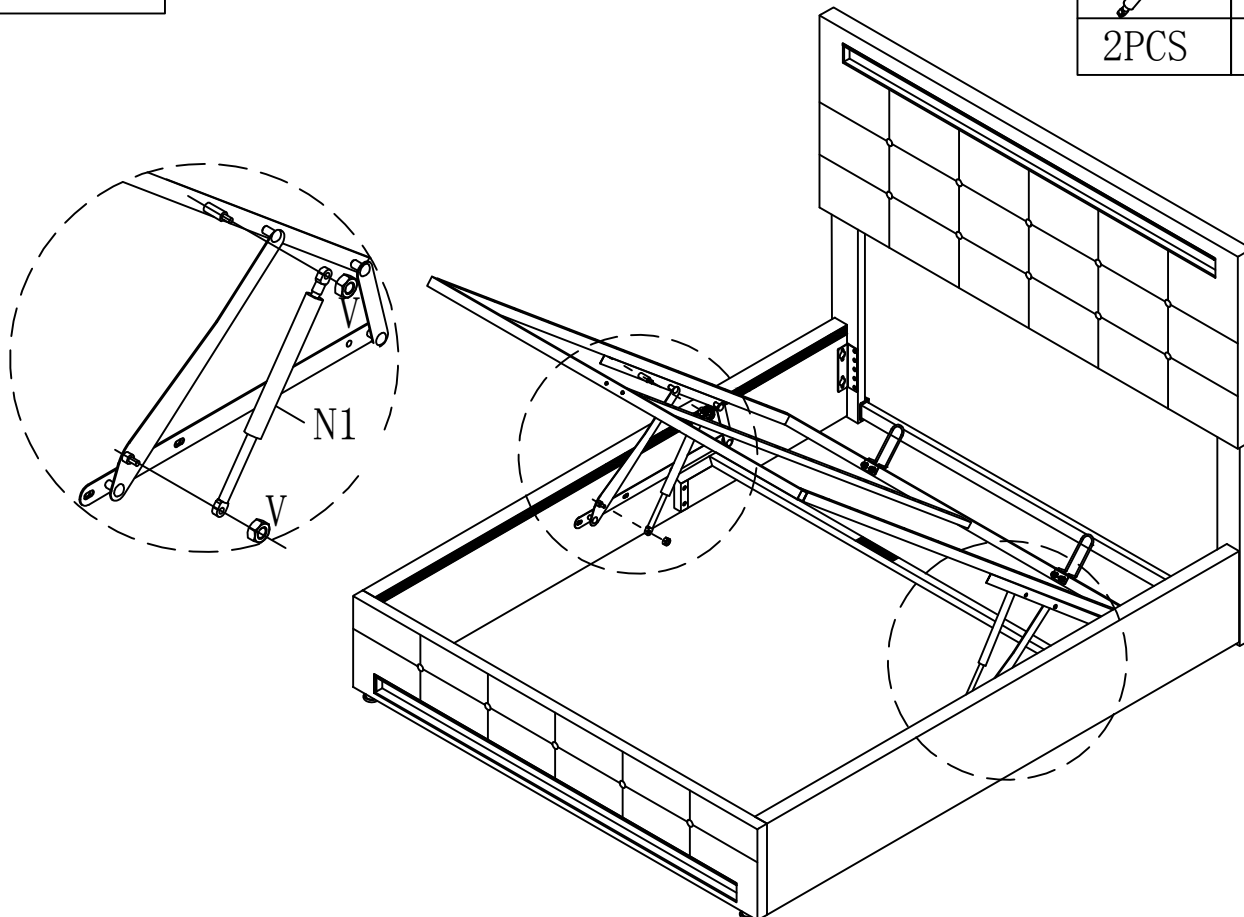
step15

S	V
	
6PCS	6PCS

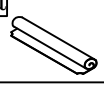


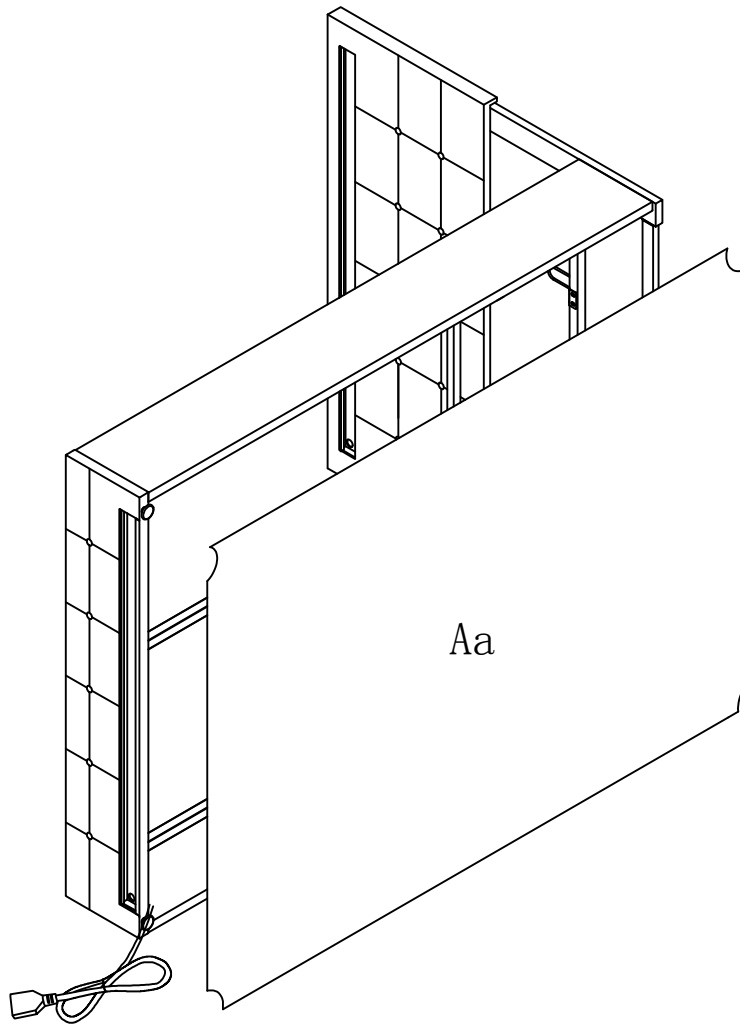
step16

N1	V
	
2PCS	4PCS

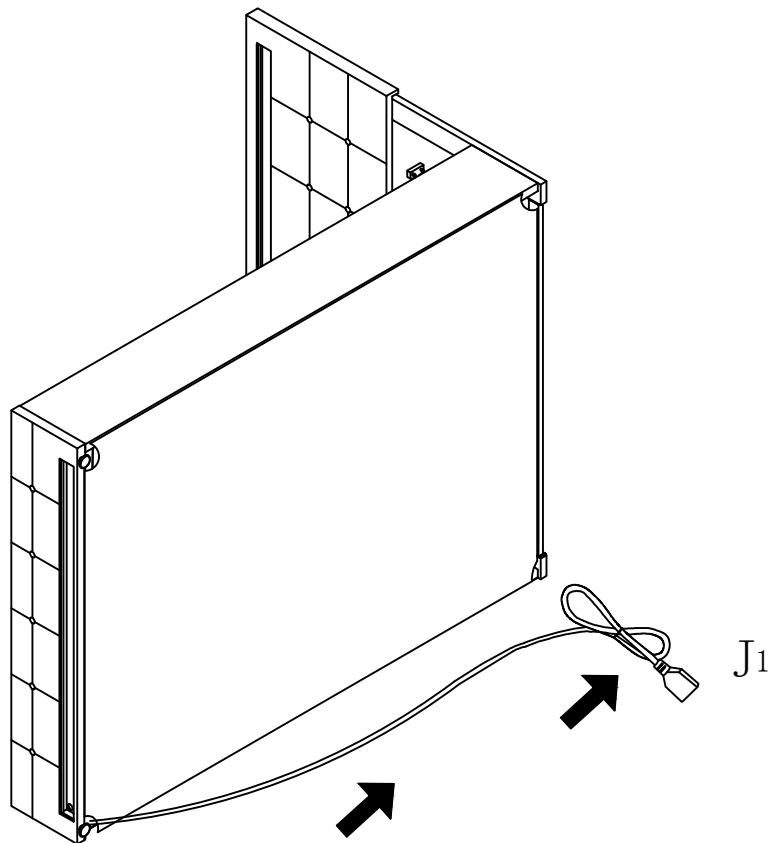


step17

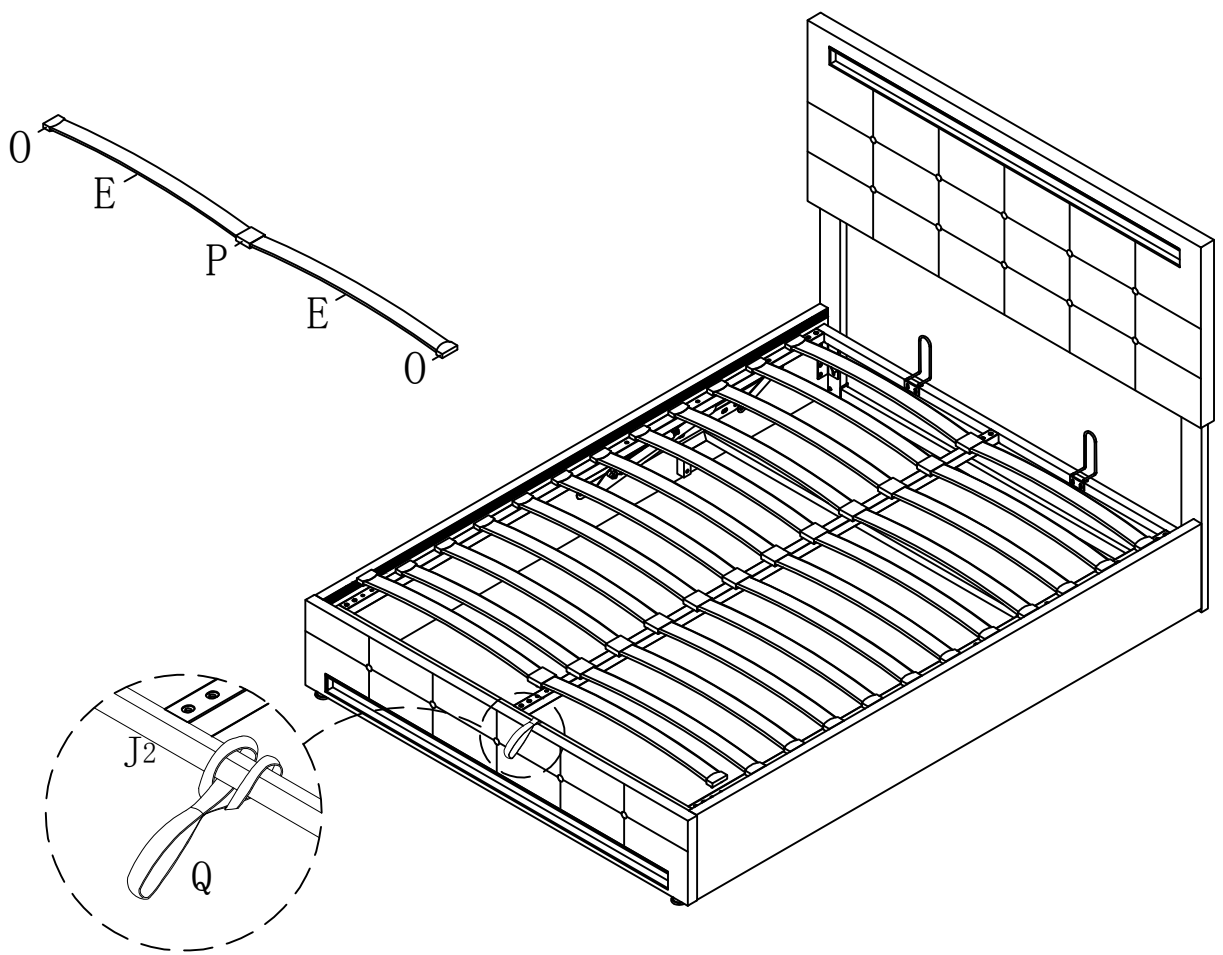
Aa

1PC



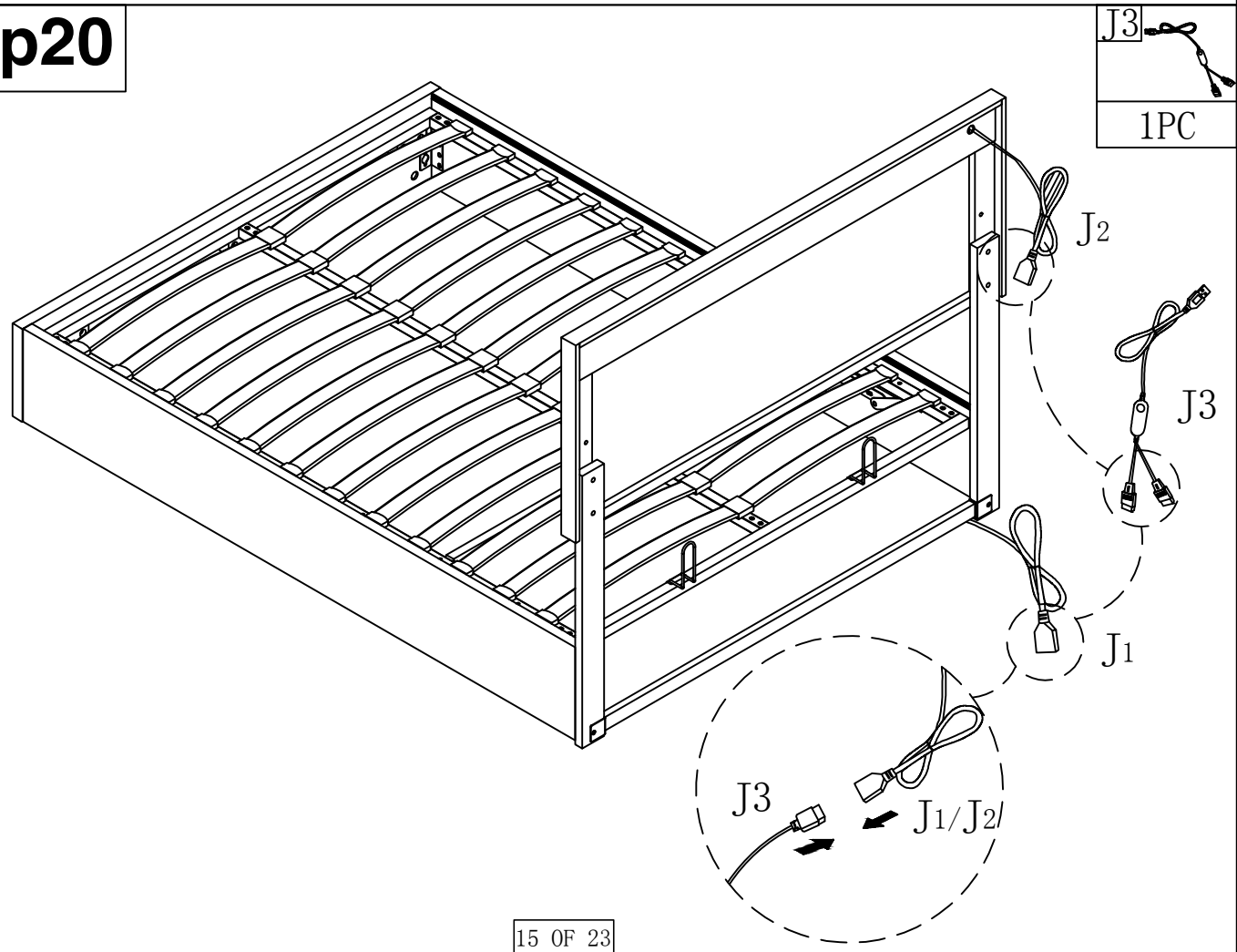
step18



step19

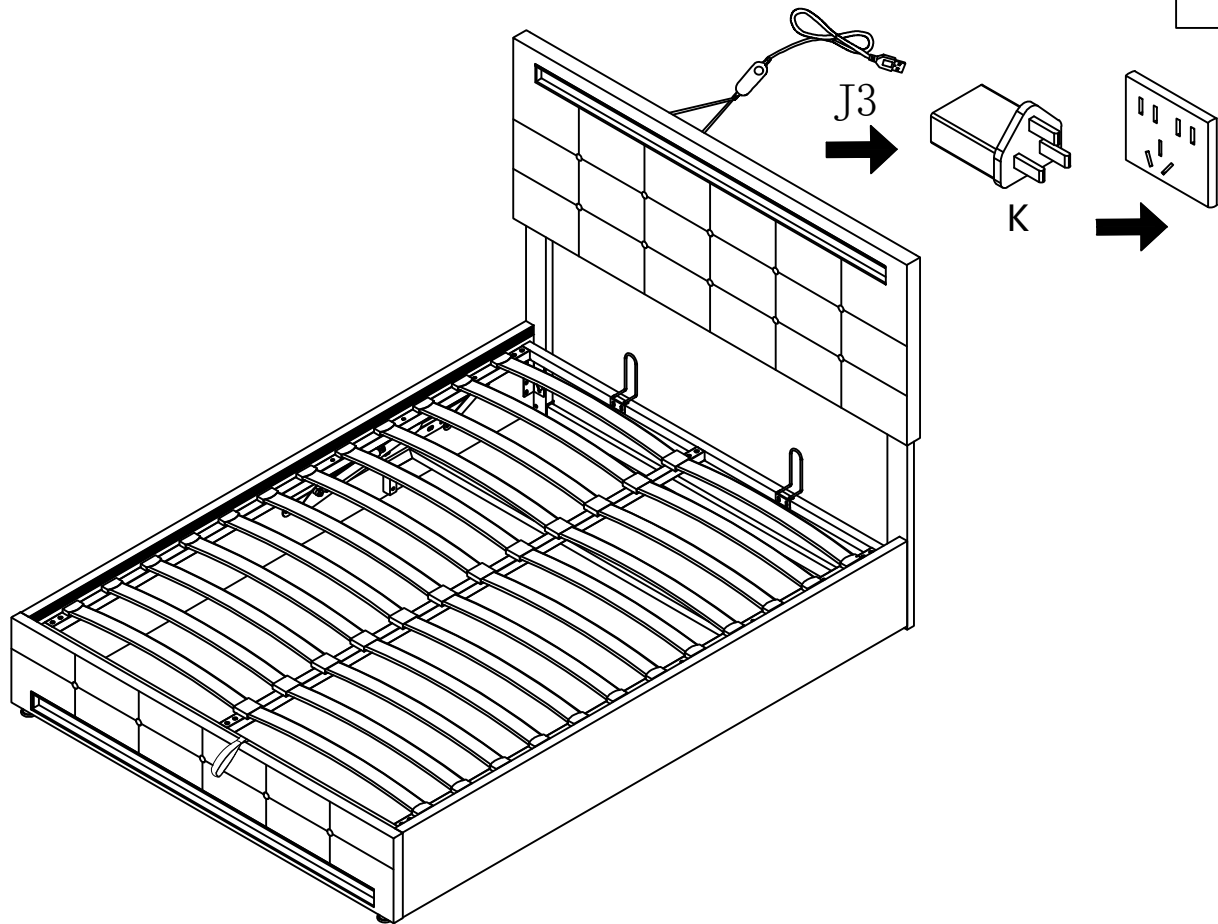


step20

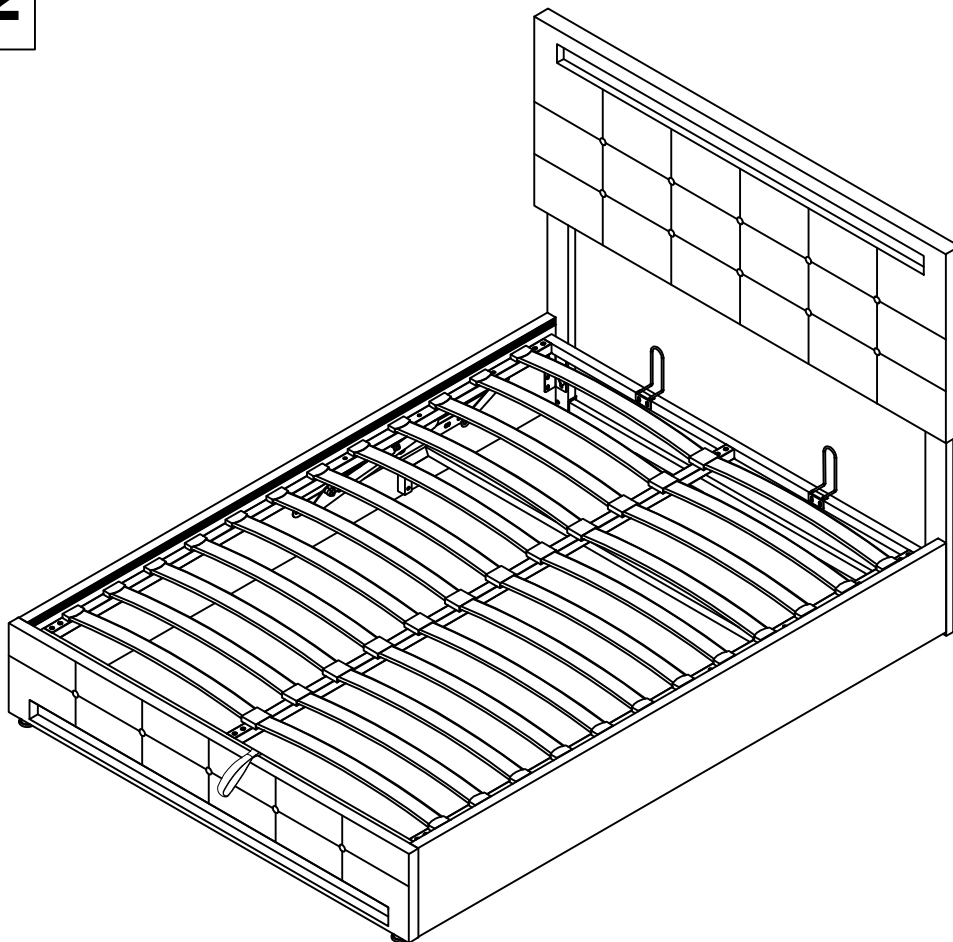


step21

K
1PC



step22



IMPORTANT NOTICE

OTTOMAN OPERATING INSTRUCTIONS

Once your bed frame is completely assembled, the slat unit will not operate correctly unless a mattress is placed on the slat frame. Position the mattress on the slat frame whilst it is in the closed position.

PLEASE NOTE It -takes a lot of force to make the initial movement of the ottoman. This is a design feature of the product so that it does not fall shut -the nearer to being closed the ottoman is, the easier it is to move. When the ottoman is almost shut, it will close completely under its own weight.

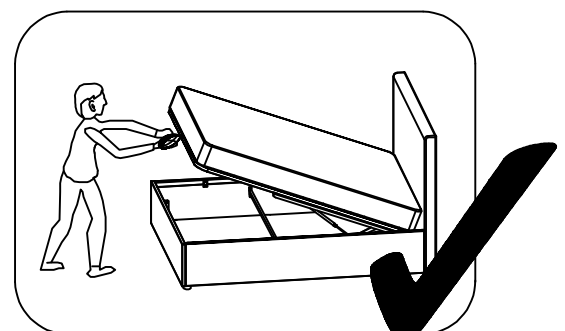
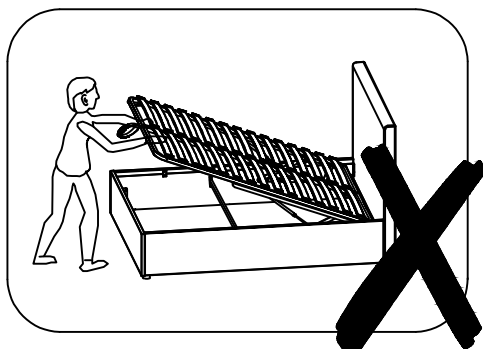
When lowering the slat unit for the first time, take care to make sure it does not rub unevenly on the inside face of the side rails. If it does, the bed has been assembled slightly out of square. This can be rectified by moving the foot end of the bed slightly to the left or right whilst leaving the head end stationary.

PISTONS

The pistons used in the construction of this product are extremely strong and cannot be operated by hand when taken off the ottoman. All pistons are tested for correct pressure and operation before being attached to the slat unit. Initially it might appear that the pistons are very stiff when opening and closing the ottoman.

THIS IS PERFECTLY NORMAL

When fully assembled and the mattress is in position, please raise and lower the ottoman 4/5 times to ensure the gas piston are fully lubricated.



APP Manual

1. Software Overview

1.1 Overview

The traditional control ways like infrared, 433MHz, 2.4GHz and others old wired ways will be replaced by mobile phone control way with convenient, powerful and scalable features.

Through this mobile APP , you can not only control the color, brightness and color temperature of the LED strips but also set up all kinds of fancy flash mode ; Also this APP can change the light of the LED strip according to the rhythm of the music. This APP can set and control several LED strips through Bluetooth and the operation is very simple, easy to learn and easy to use.

1.2 Features

- Adjust color LED strips with 60,000 colors to change color and brightness and adjust monochrome LED strips to change brightness and color temperature
- Play music or turn on a sound playback device, you can let the light change the color and brightness with the rhythm of music, the music rhythm beautiful
- Inside multiple setting mode for color change and control LED strips without mobile
- Long distance control with omni-directional antenna, and many-to-many group control mode
- Once the connection is successful, connect automatically next time

1.3 Performance

APP is easy for use as well as great compatible with all kinds of smart phones; After the actual test of hundreds of mobile phones verification, the compatibility is above 95% of mobile phones in the market. APP is small and convenient, it consumes less system resources, so the requirements of the mobile configuration are low. Control delay is small, the operation feels good, light control is smooth with people's visual sense.

2. Operating Environment

This APP program requires phones of system above Andriod 4.3 and iOS 8.0. Mobile phone configuration is not limited.

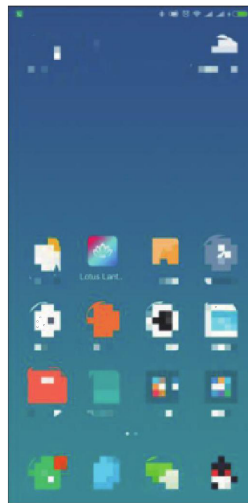
3. Instructions

Note: Android version and iOS version download and use the same method, here in the Android version as an example.

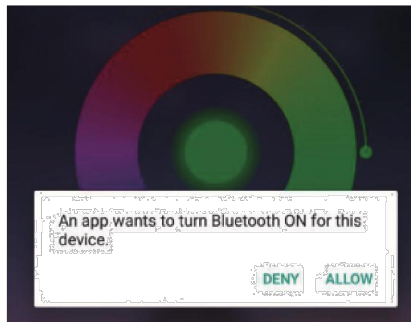
3.1 APP Download

3.2 App Operation

(1) Click on the APP icon, enter the APP page:



(2) After entering the APP interface, if Bluetooth is not enabled, "an application wants to enable the Bluetooth function of this device." Click [Allow]



(3) switch to color and brightness interface:

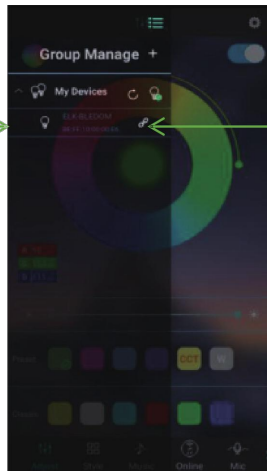
A smartphone app interface for controlling a lamp. It features a large color wheel in the center, a brightness slider below it, and a bottom navigation bar. Callout boxes with arrows point to various UI elements:

- Top left: "Click to show the lamp list" points to a hamburger menu icon.
- Top right: "Click to display setting view" points to a gear icon.
- Below top left: "Switch the color wheel" points to a small color wheel icon.
- Below top right: "Lamp switch button" points to a toggle switch.
- Center: "Adjust the color" points to the main color wheel.
- Below center: "Display the RGB value Click to manual adjustment view" points to a box showing RGB values: R 99, G 193, B 111.
- Bottom right: "Click square icon to adjust the color" points to a square icon in the preset bar.
- Bottom left: "Click to shift the interface" points to a square icon in the bottom navigation bar.

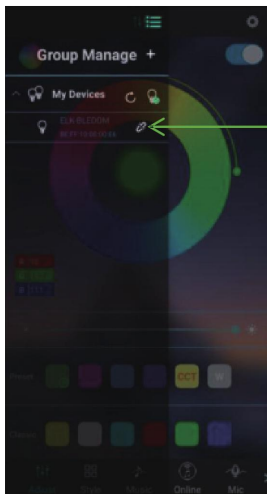
(4) click to show the lamp list, view lamp list:

Bluetooth auto connect
after search for devices

Lamp list



Status of device connection

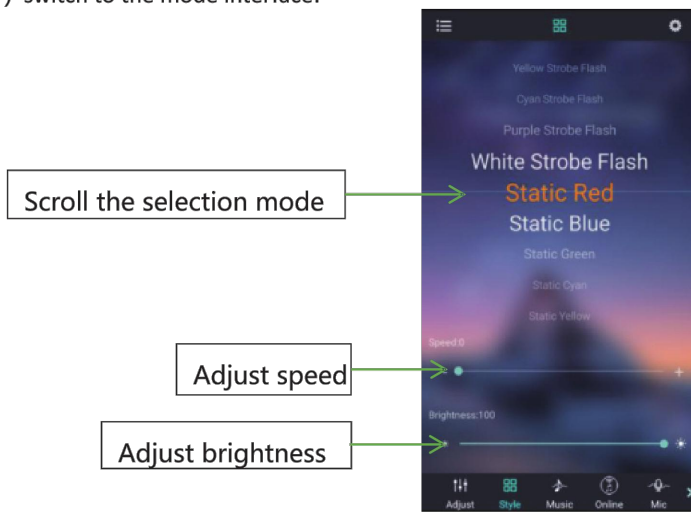


Status of device connection

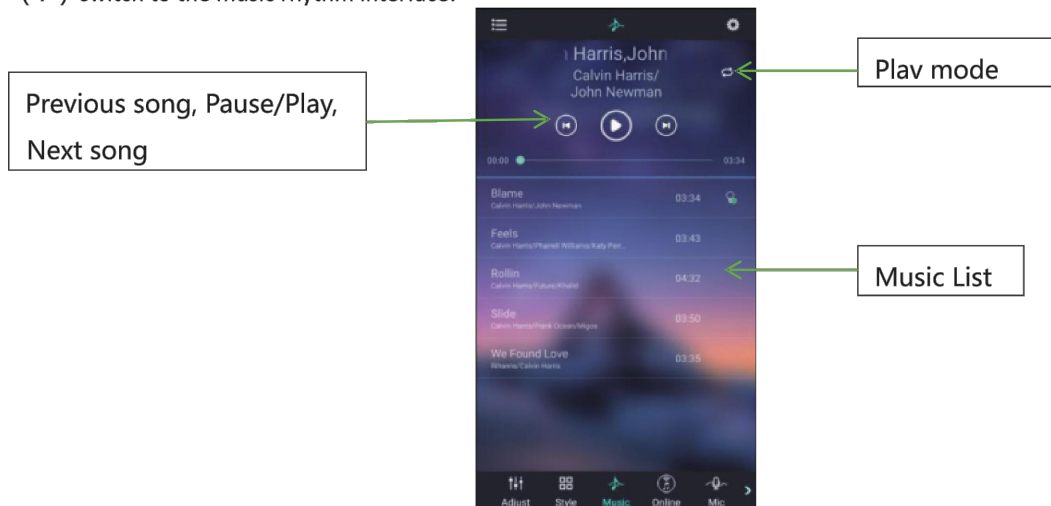
(5) Click to RGB manual adjustment view:



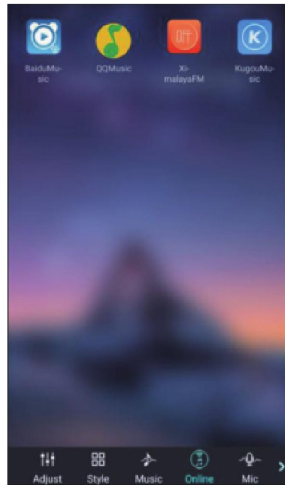
(6) switch to the mode interface:



(7) switch to the music rhythm interface:

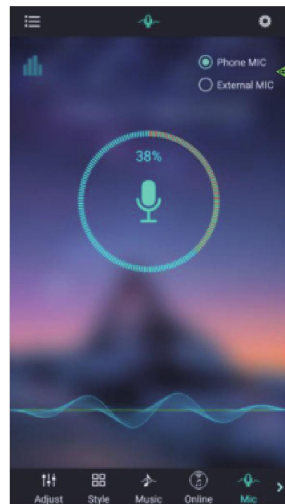


(8) Switch to the online music interface:



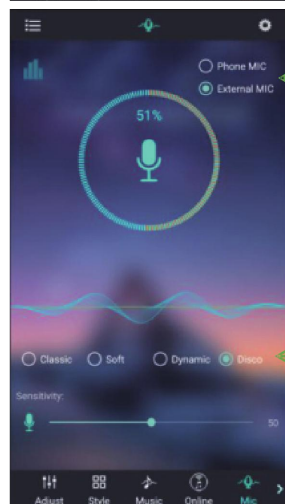
(9) Switch to the microphone rhythm interface:

Music rhythm through cell phone microphone



Switch phone microphone and external microphone

Music rhythm through the microphone on the product



Switch phone microphone and external microphone

4-style rhythm

Change the sensitivity of MIC to match the sound

(10) Switch to the schedule interface:

The screenshot shows the 'Schedule' interface with two main sections: 'Schedule On' and 'Schedule Off'. Each section has a toggle switch, a 'Time' field set to '00:00', and a 'Repeat' section with a row of 12 circular buttons. The 'Repeat' buttons for 'Schedule On' are labeled 'ON', '1', '2', '3', '4', '5', '6', '7', '8', '9', '10', '11', '12'. The 'Repeat' buttons for 'Schedule Off' are labeled 'OFF', '1', '2', '3', '4', '5', '6', '7', '8', '9', '10', '11', '12'. The 'ON' and 'OFF' buttons are highlighted in green. The interface also has a bottom navigation bar with icons for 'Style', 'Music', 'Online', 'Mic', and 'Schedule'.

Annotations for the 'Schedule On' section:

- Enable or disable the Light-On function (points to the toggle switch)
- Repeat setting No selection for once Light-On (points to the 'ON' button)

Annotations for the 'Schedule Off' section:

- Enable or disable the Light-Off function (points to the toggle switch)
- Repeat setting No selection for once Light-Off (points to the 'OFF' button)

Annotations for the time fields:

- Set the time of Light-On (points to the 'Time' field in the 'Schedule On' section)
- Set the time of Light-Off (points to the 'Time' field in the 'Schedule Off' section)

(11) Switch to the modify pin sequence interface:

The screenshot shows the 'Modify Pin Sequence' interface. At the top, there is a 'Modify Pin Sequence' title and a back arrow. Below the title is a white pin header with three pins. Below the pin header is a grid of color selection buttons: 'R' (Red), 'G' (Green), and 'B' (Blue). The 'R', 'G', and 'B' buttons are highlighted in a red box. To the right of the 'R', 'G', and 'B' buttons are three buttons with arrows pointing left and right. At the bottom of the interface is a 'Save' button. The interface also has a bottom navigation bar with icons for 'Style', 'Music', 'Online', 'Mic', and 'Schedule'.

Annotations:

- Click to save the new assignment (points to the 'Save' button)
- Change the real color of this line (points to the 'R', 'G', and 'B' buttons)

Technical parameters:

Working temperature: -20-60°C (-4 F°-140 F°)

Power supply voltage: DC5-24V

Output: 3 Loops

Static power consumption: <0. 5W

Output current: <3A(each circuit)5V <30W 12V<108 24V<21 6W