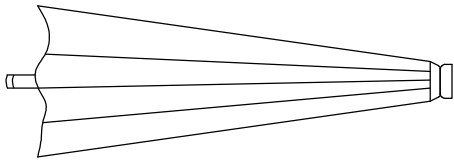


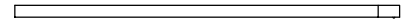
A

1

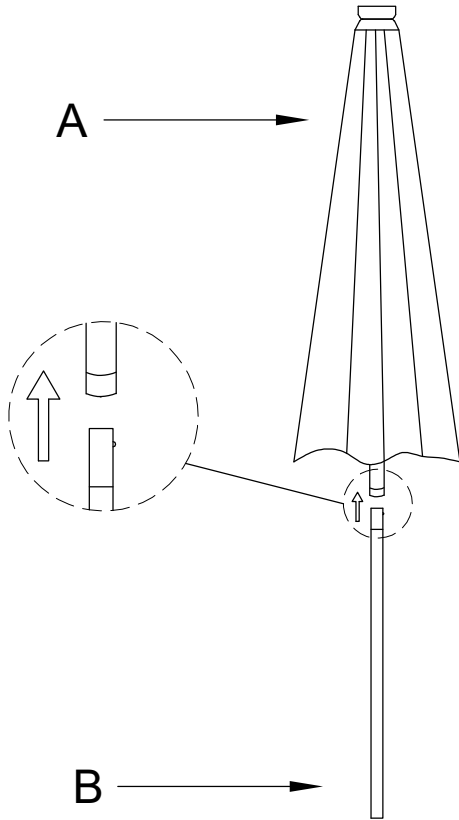


B

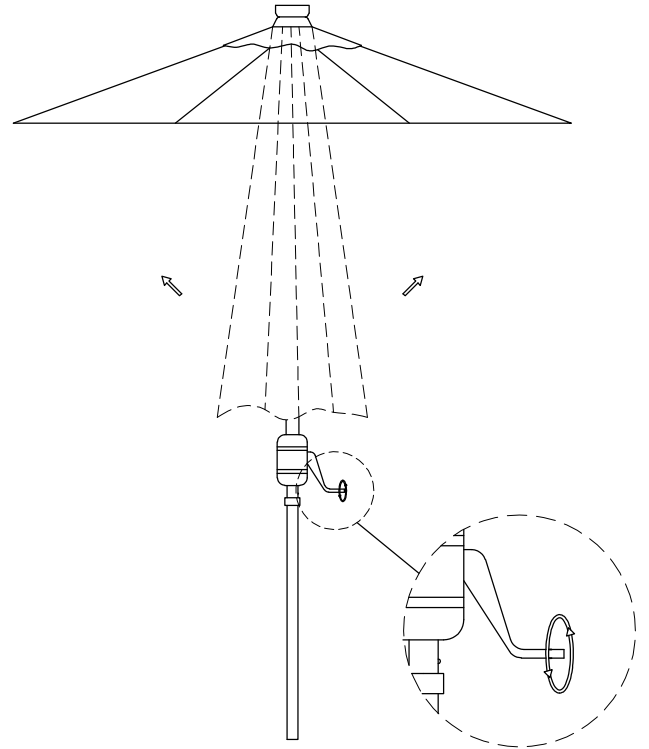
1



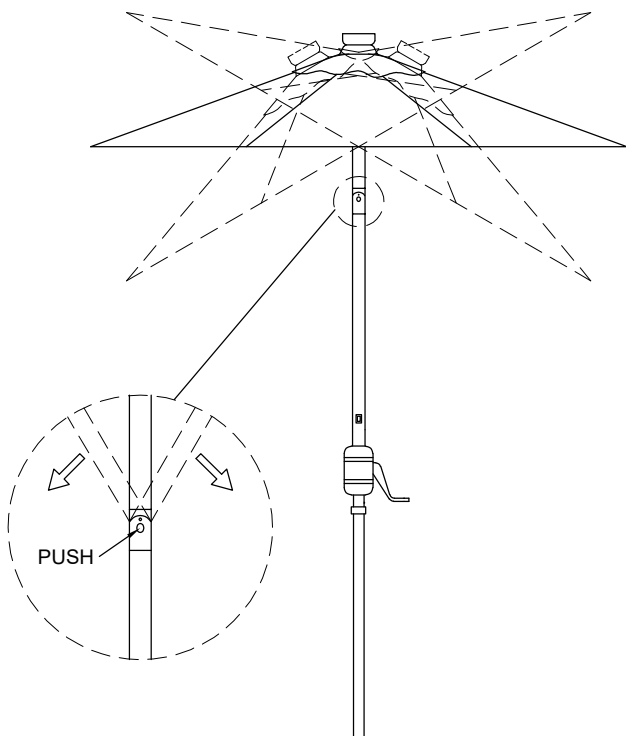
01: Insert part B upwards into Part A



02: Open the umbrella surface clockwise



03: Press the button to adjust the Angle of part A



04: The light and dark of the LED light can be controlled by the switch

