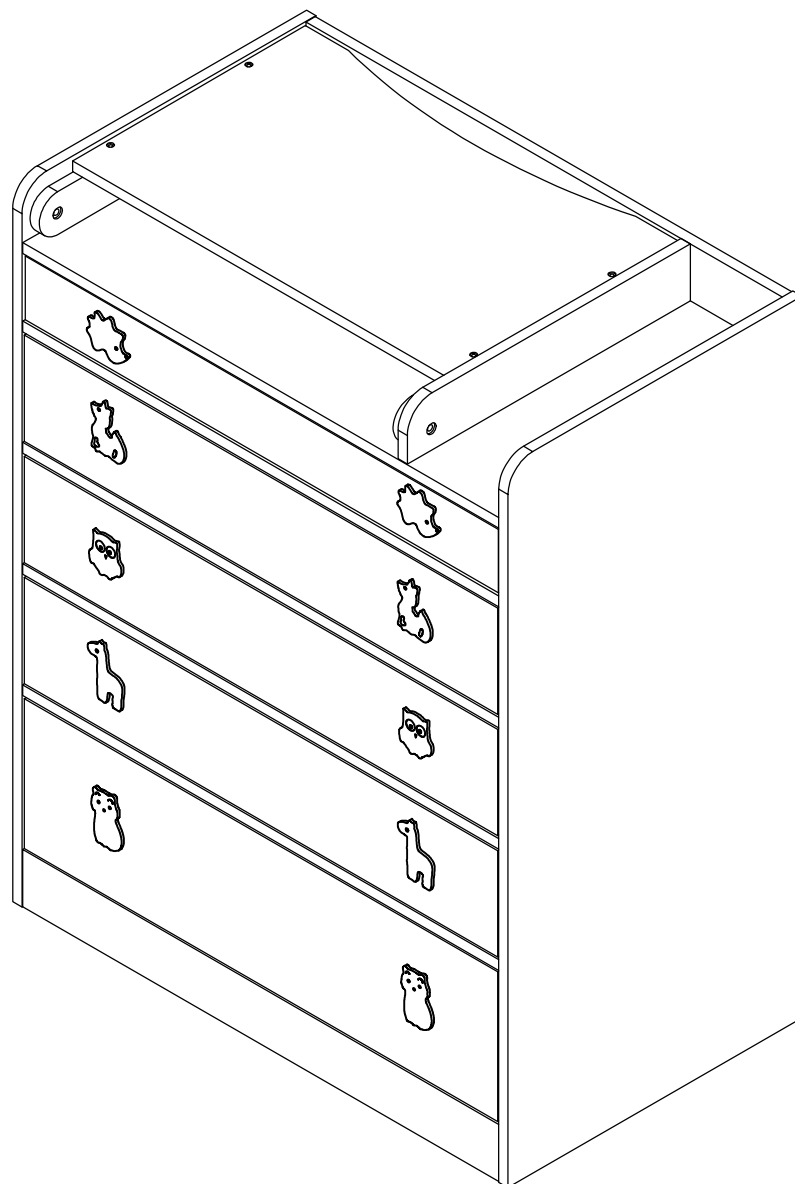
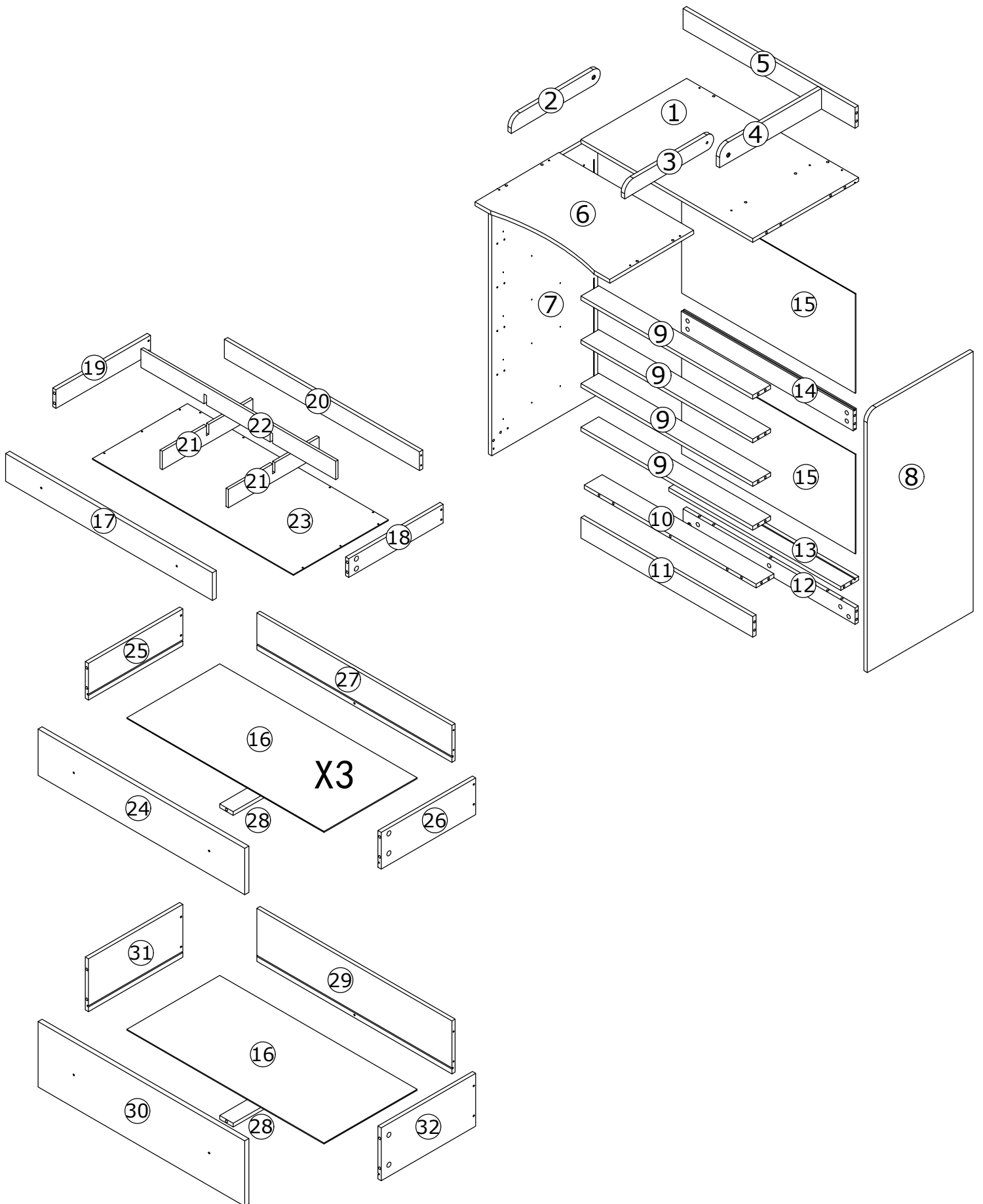
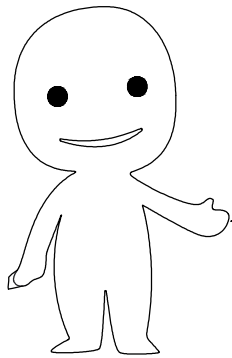


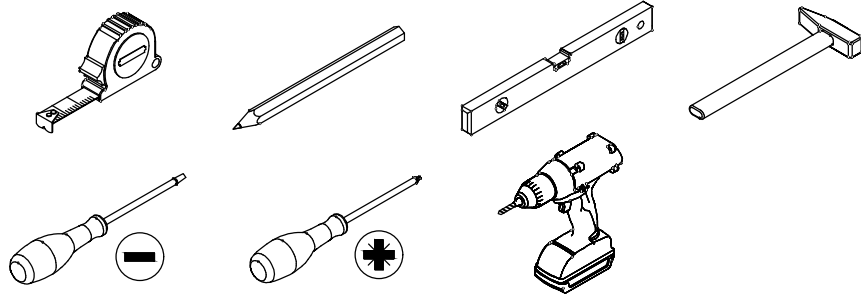
# Changing table




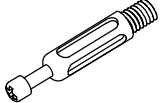
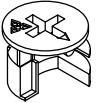
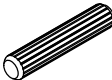
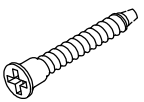







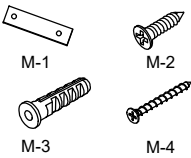
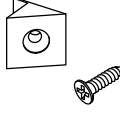






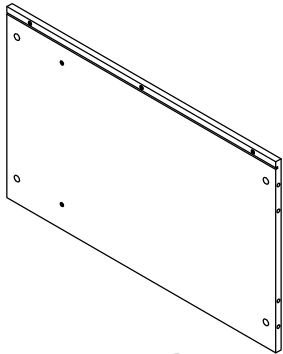
Please prepare the following tools



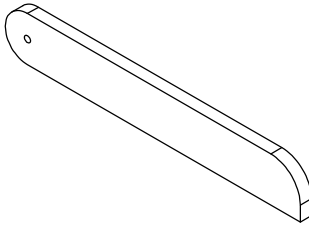
When installing, please carefully confirm whether each screw corresponds to the manual, accessories with similar shapes can be distinguished by size

<p>A x 54</p>  <p>Ø3.5 x 12 mm</p>	<p>B x 64</p> 	<p>C x 64</p>  <p>Ø15 x 9.5 mm</p>	<p>D x 27</p>  <p>Ø8 x 30 mm</p>	<p>E x 34</p>  <p>Ø5 x 40 mm</p>
<p>F x 2</p> 	<p>G x 2</p> 	<p>H x 2</p> 	<p>I x 10</p>  <p>M4 x 19 mm</p>	<p>J x 2</p> 
<p>K x 11</p>  <p>Ø3.5 x 14 mm</p>	<p>L x 64</p>  <p>Ø21 mm</p>	<p>M x 2</p>  <p>M-1 M-2 M-3 M-4</p>	<p>N x 12</p> 	<p>O x 4</p>  <p>Ø13 mm</p>
<p>CL+CR+DL+DR x5</p> 				

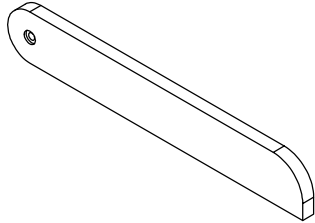
# PARTS LIST



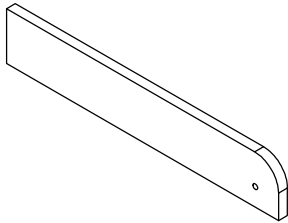
1



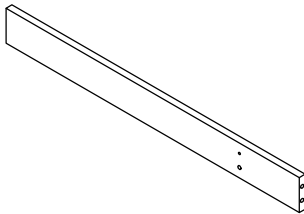
2



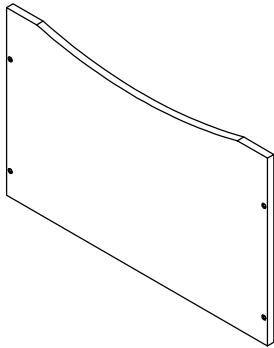
3



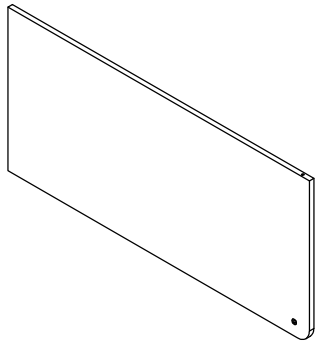
4



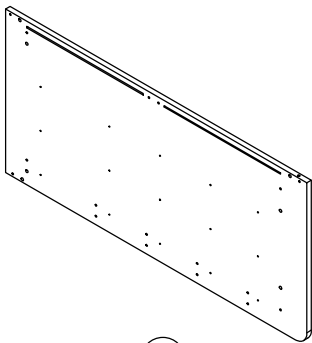
5



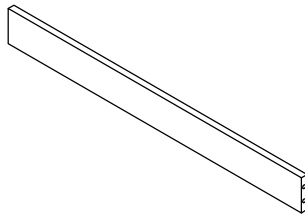
6



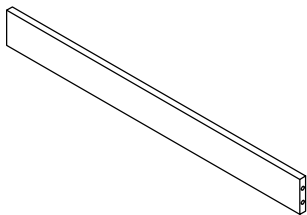
7



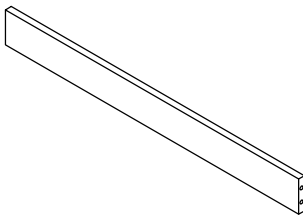
8



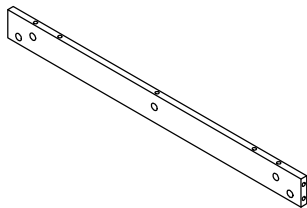
9 x4



10

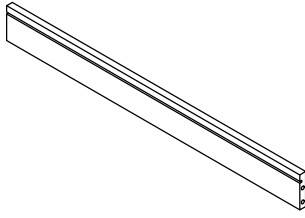


11

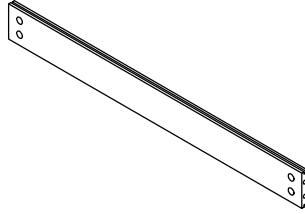


12

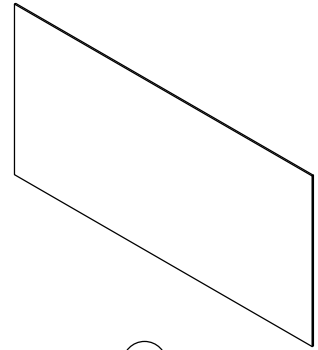
# PARTS LIST



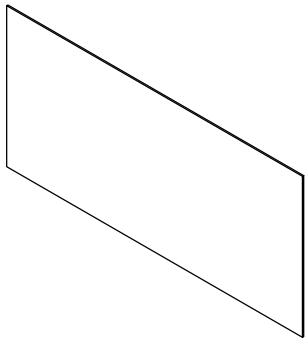
13



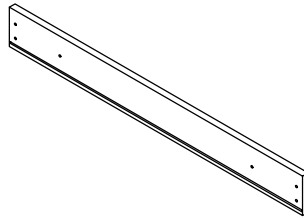
14



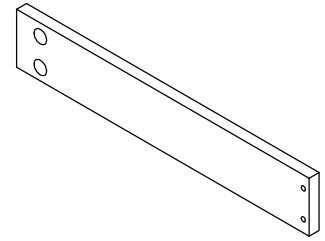
15 x2



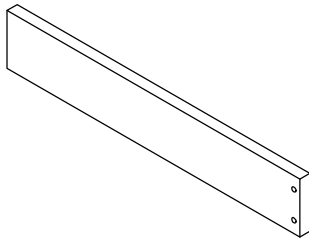
16 x4



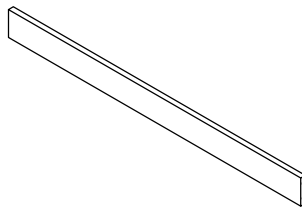
17



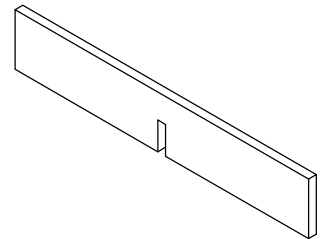
18



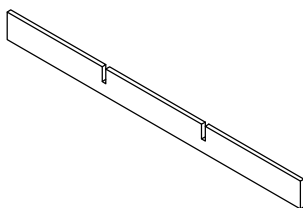
19



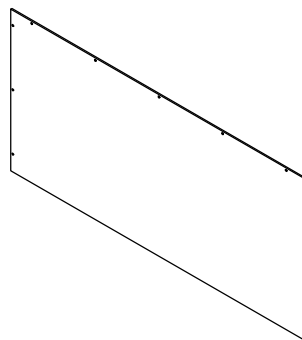
20



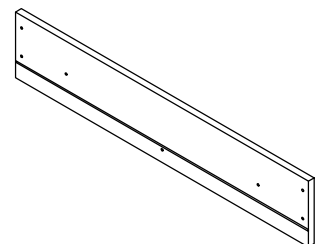
21 x2



22

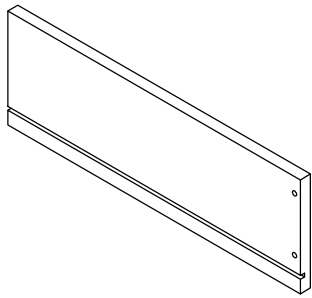


23

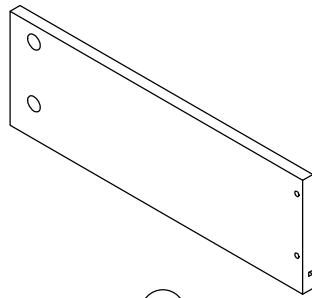


24 x3

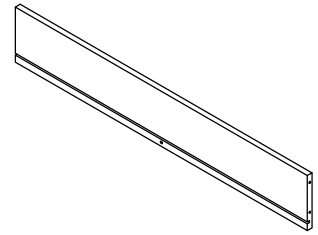
# PARTS LIST



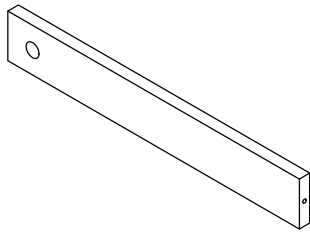
②⑤ x3



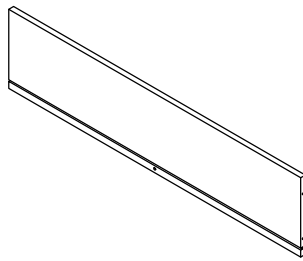
②⑥ x3



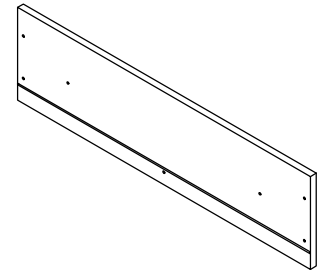
②⑦ x3



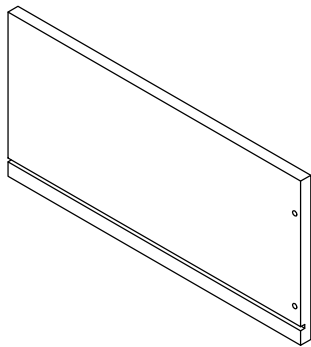
②⑧ x4



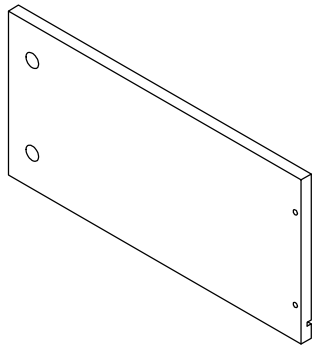
②⑨



③⑩

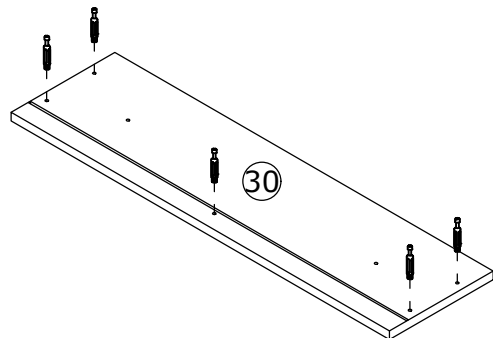
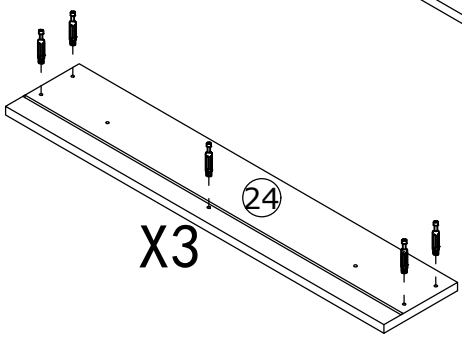
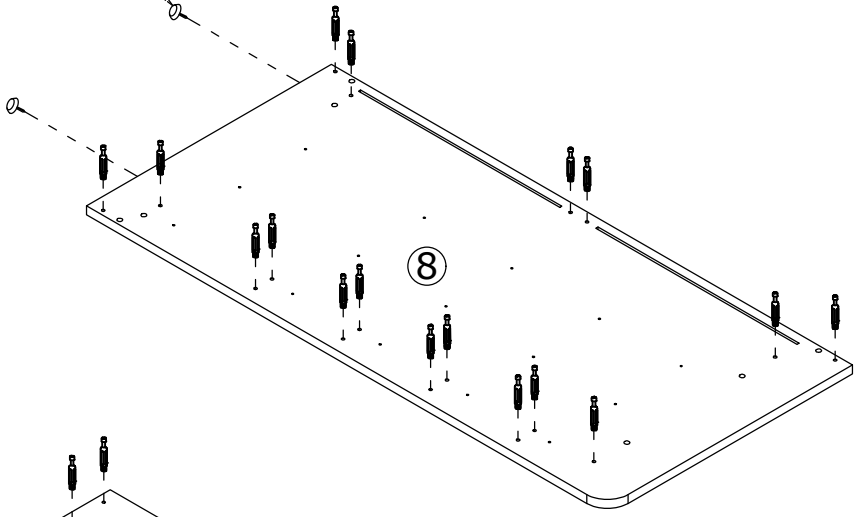
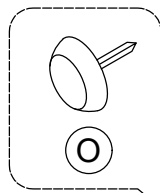
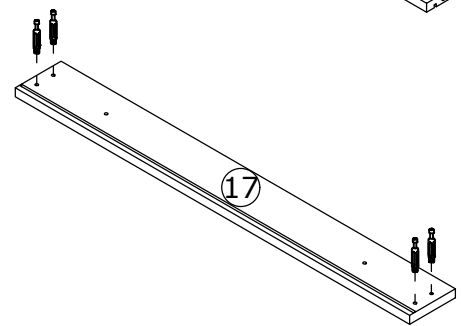
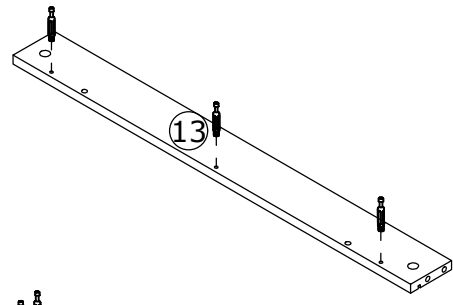
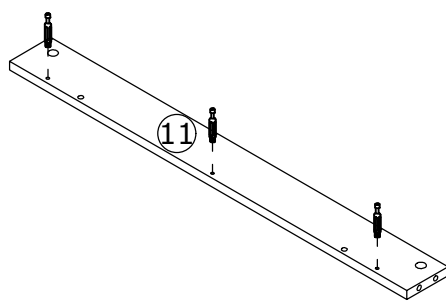
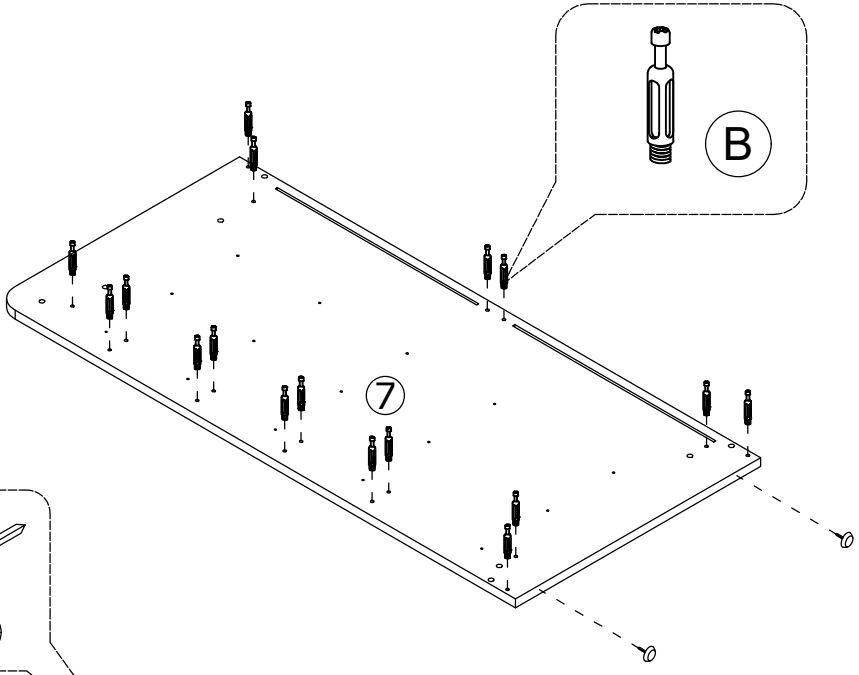
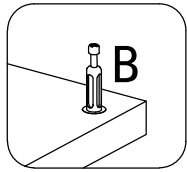
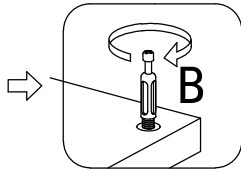
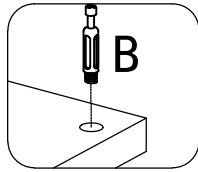
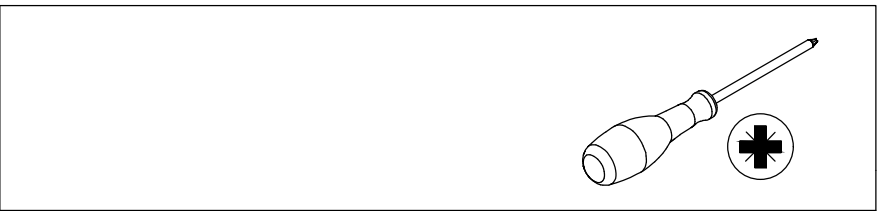
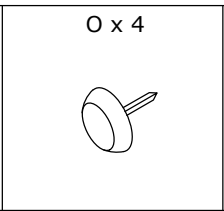
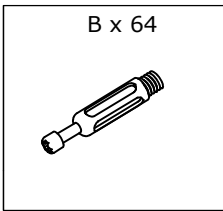


③①


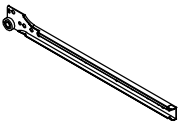
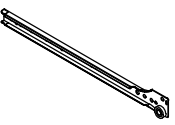
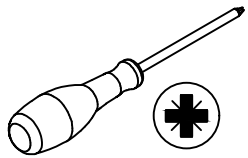


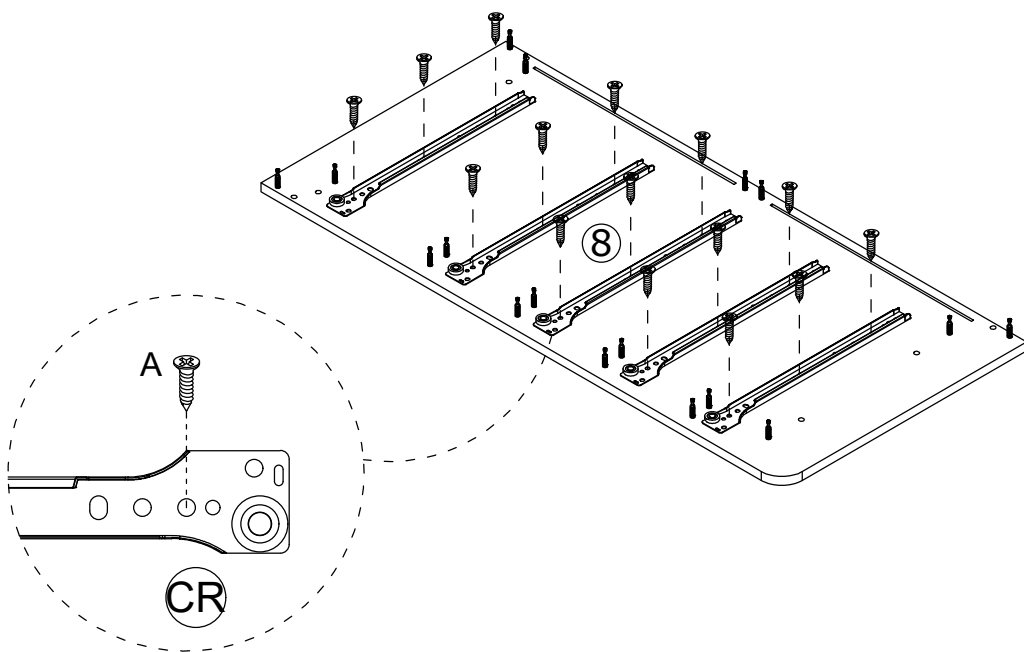
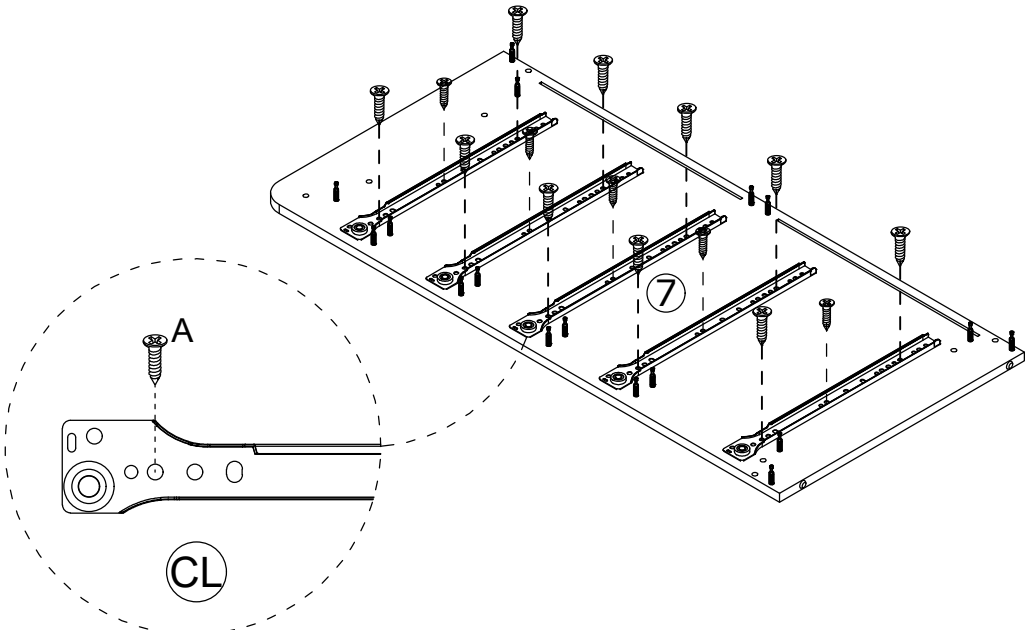
③②

1

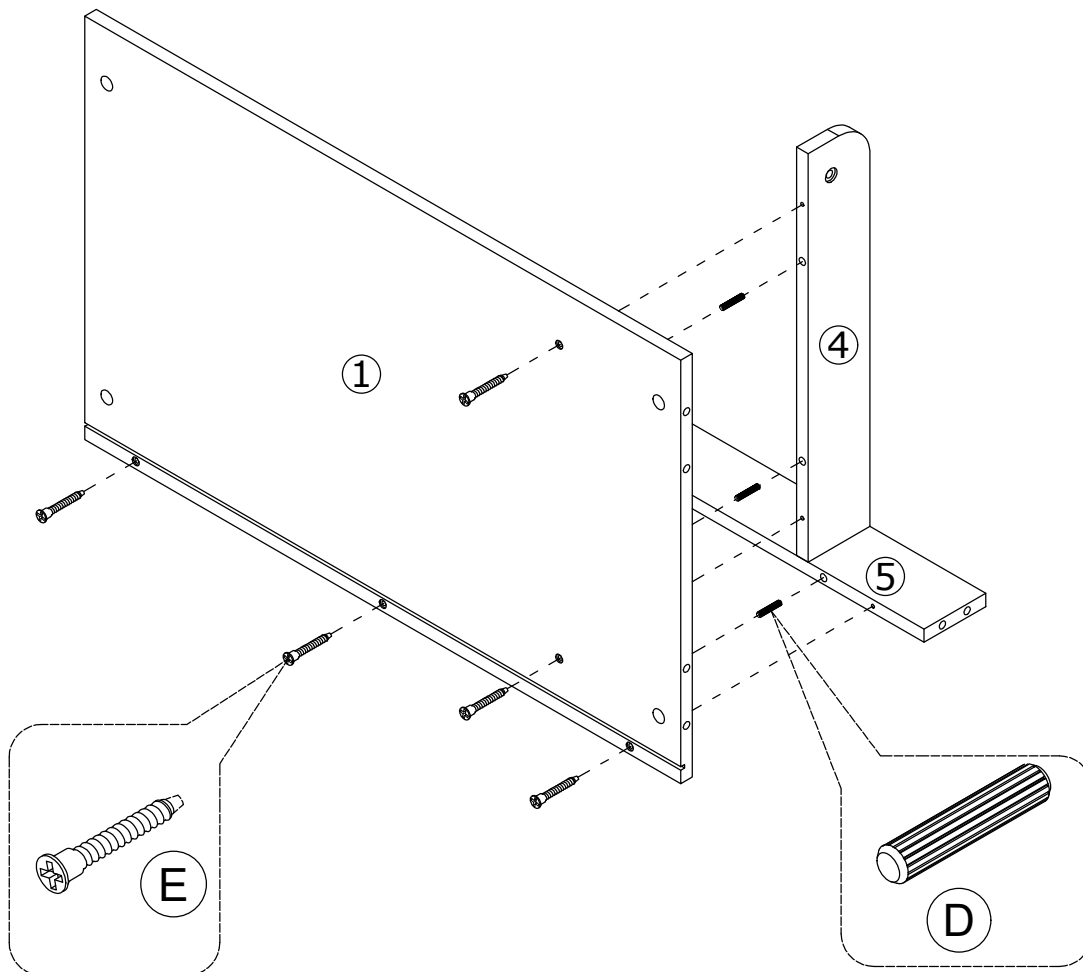
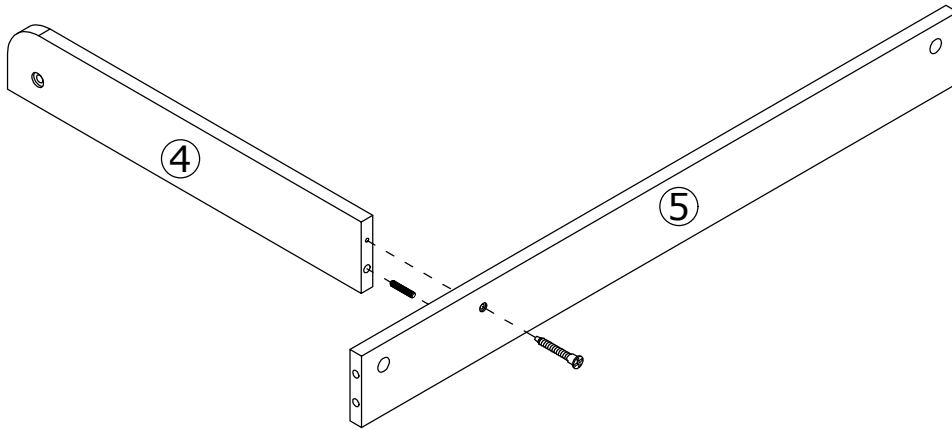
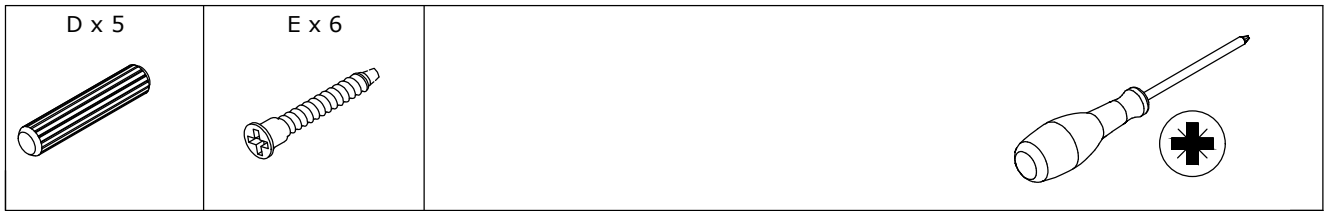


2

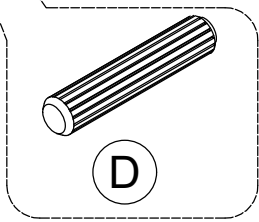
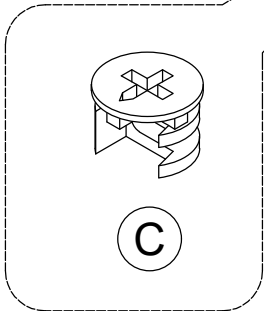
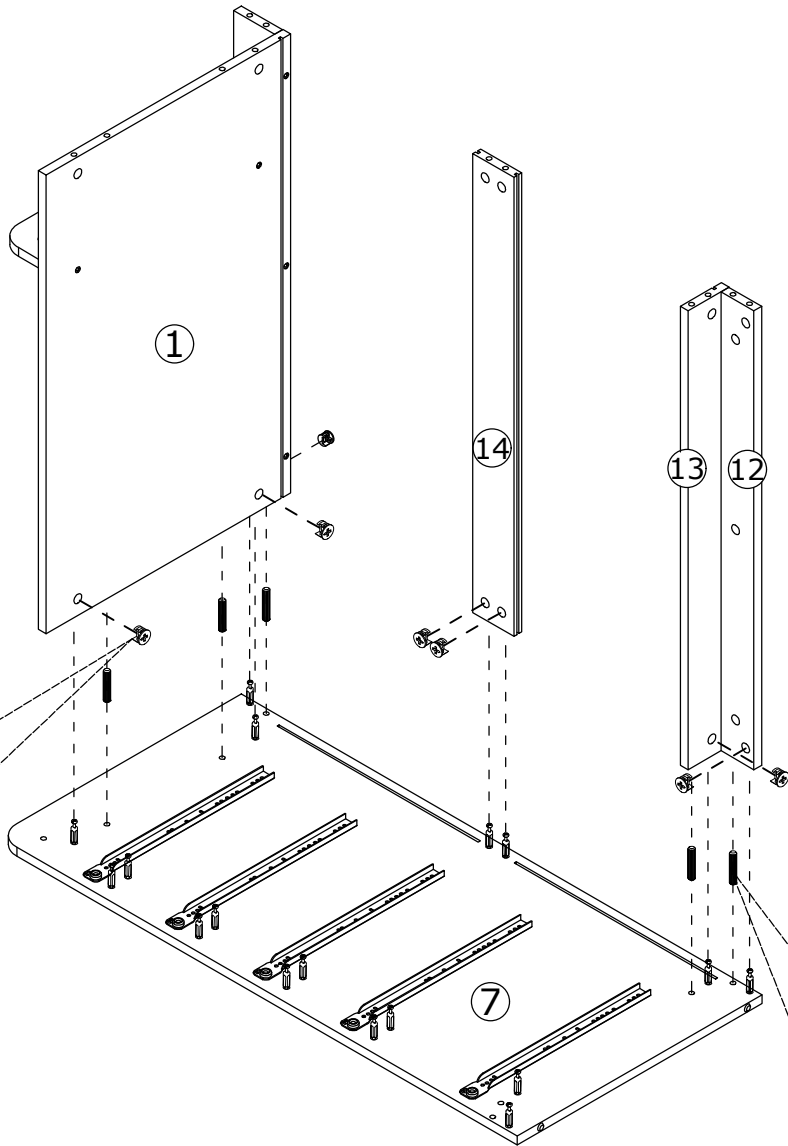
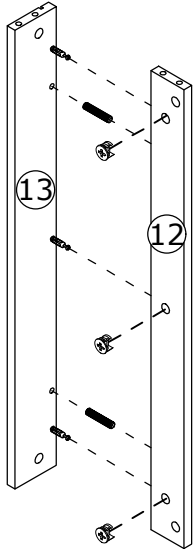
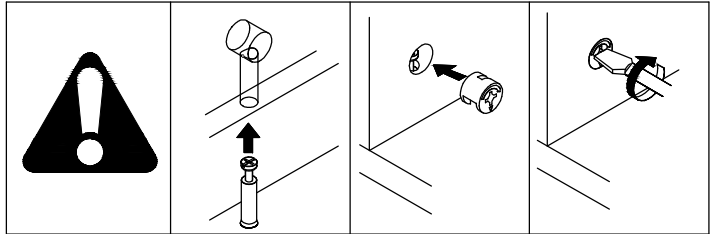
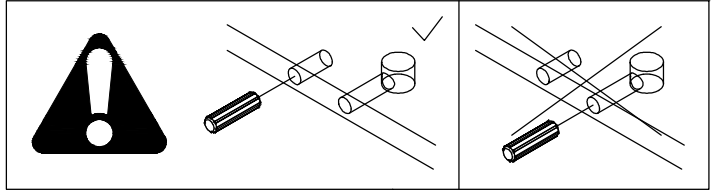
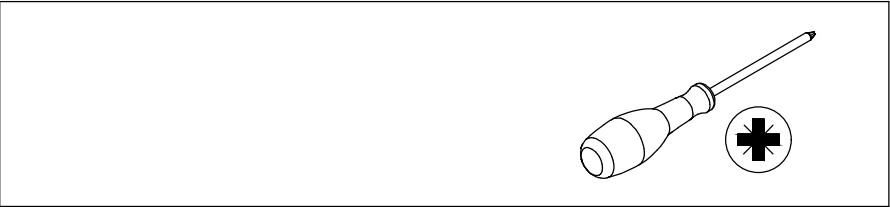
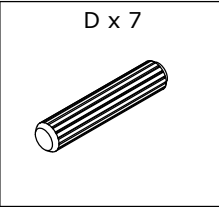
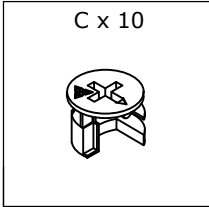
<p>A x 30</p> 	<p>CL x 5</p> 	<p>CR x 5</p> 	
---	---	---	--



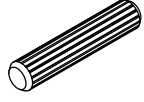
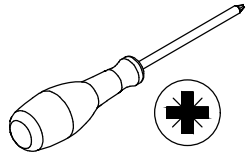

3

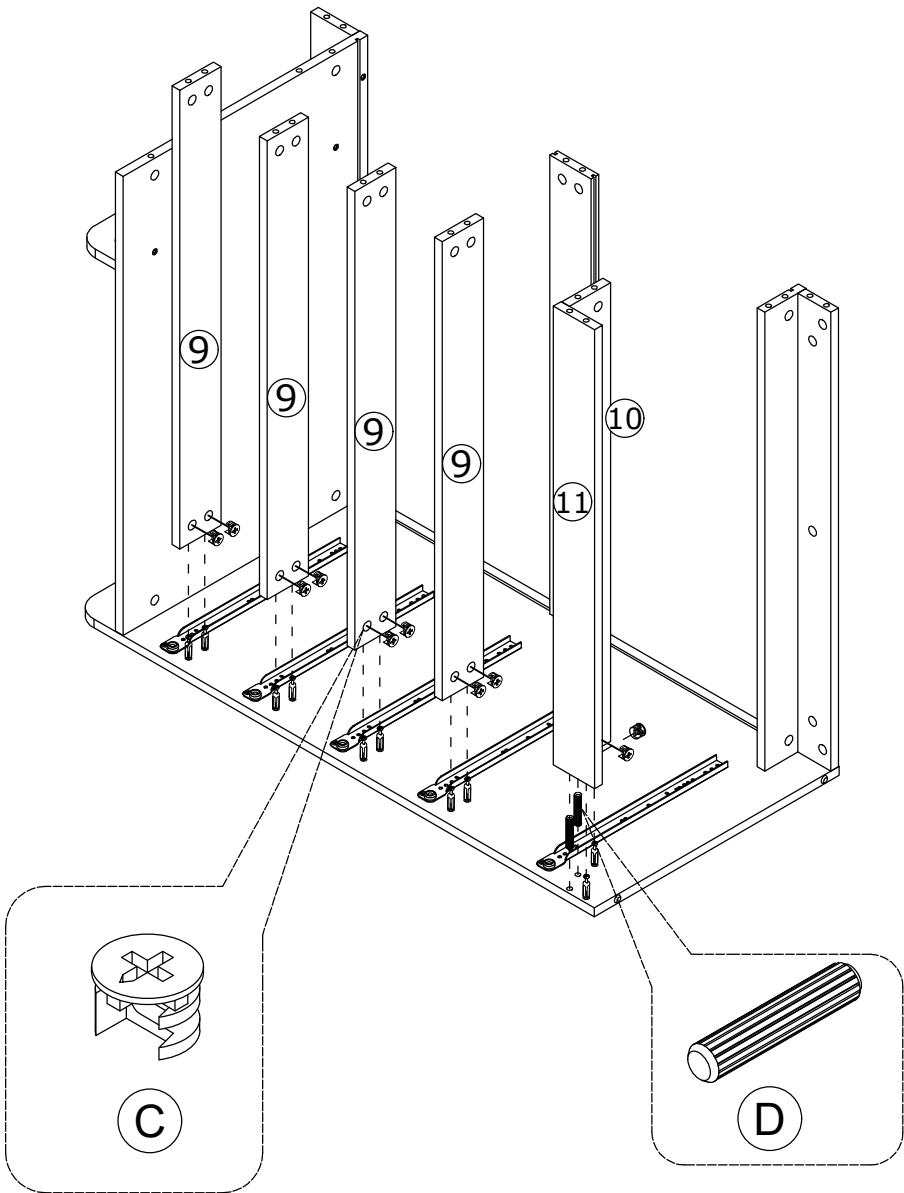
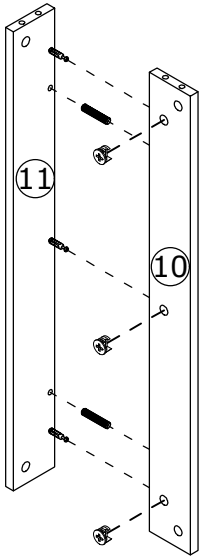
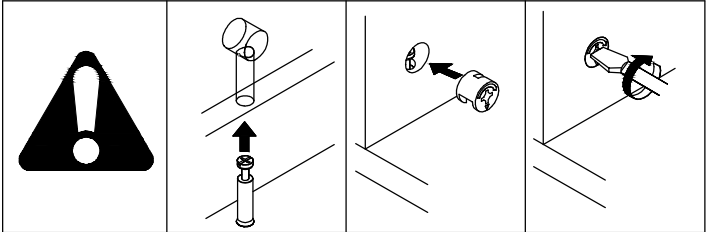
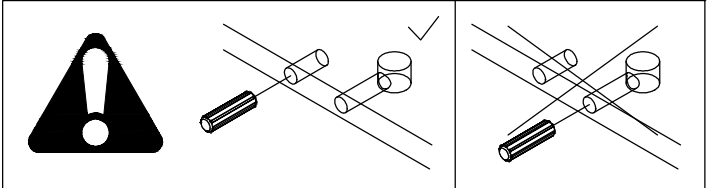


4

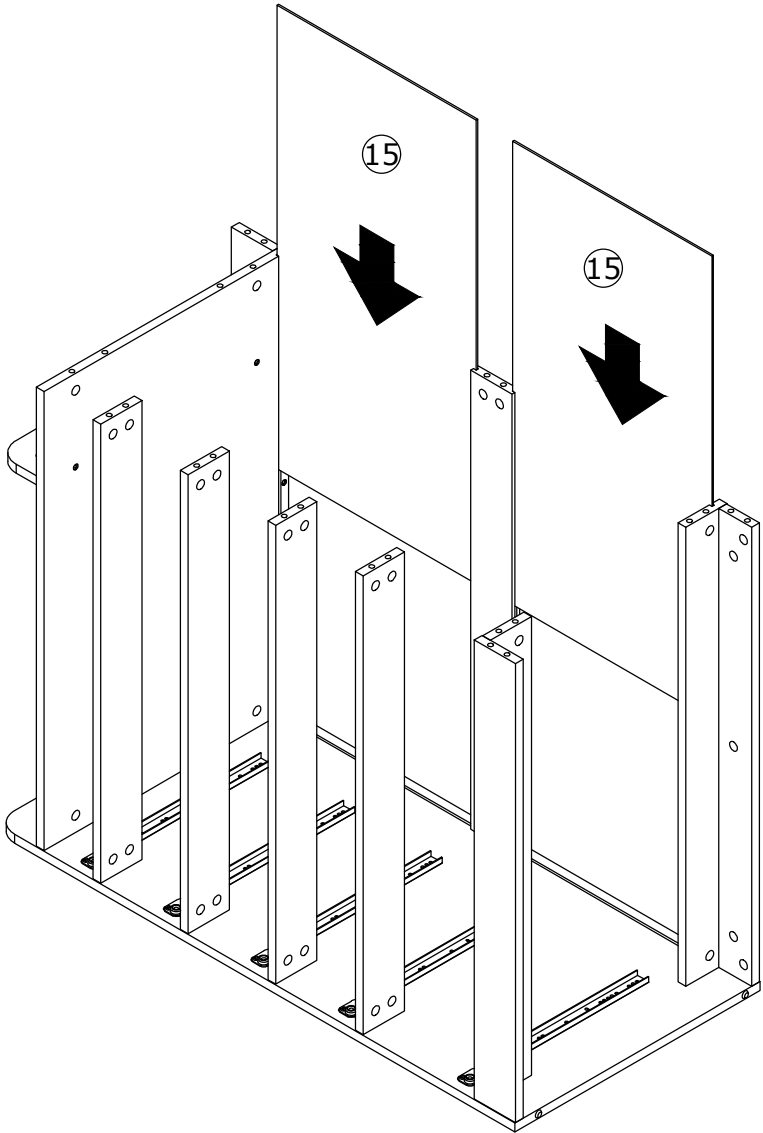
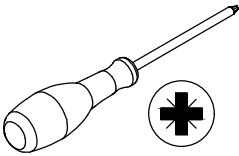


5


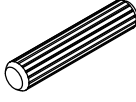
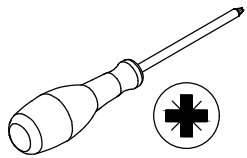
C x 13 	D x 4 	 
---	--	--

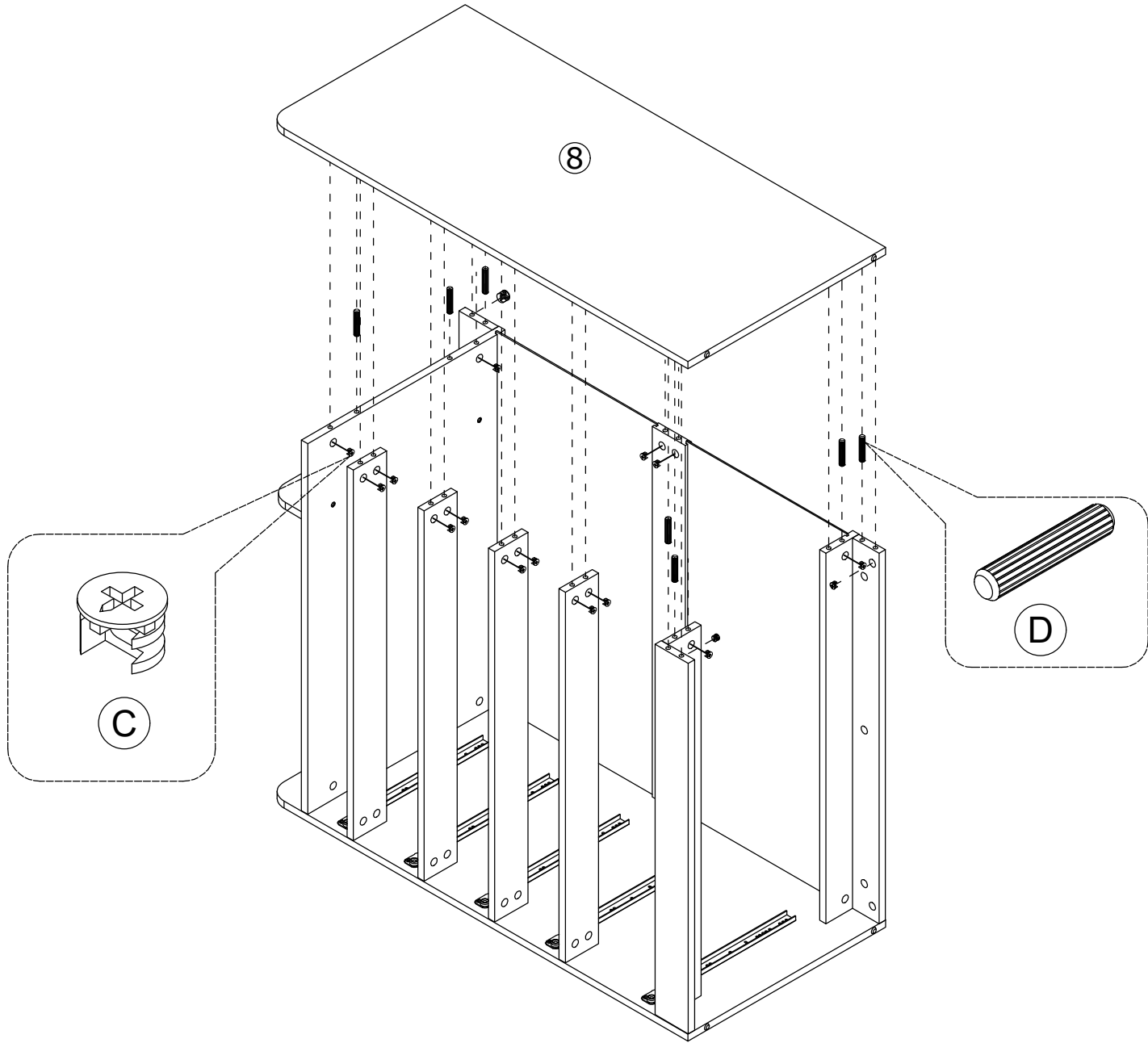
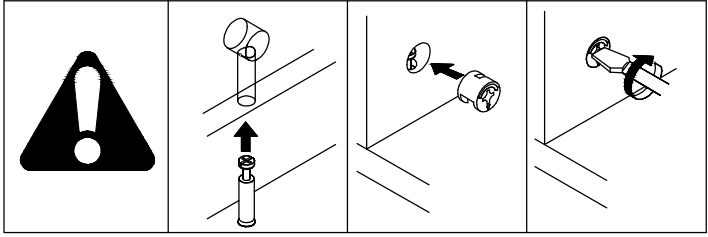
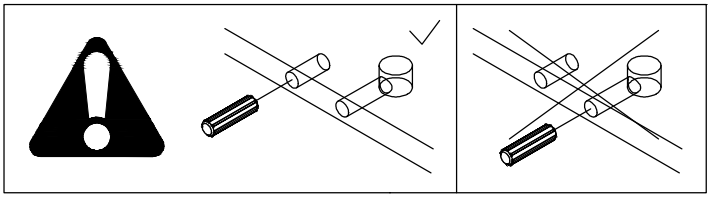


6

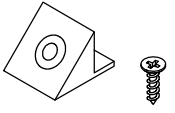
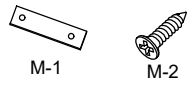
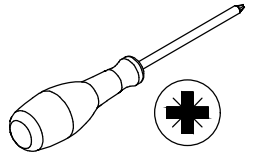


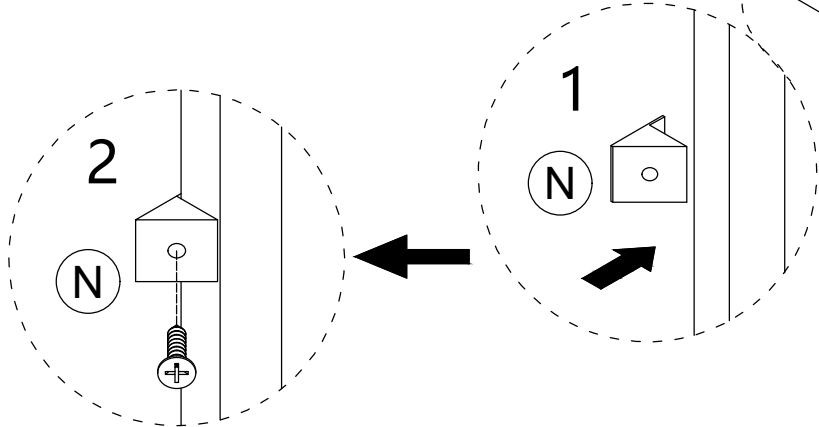
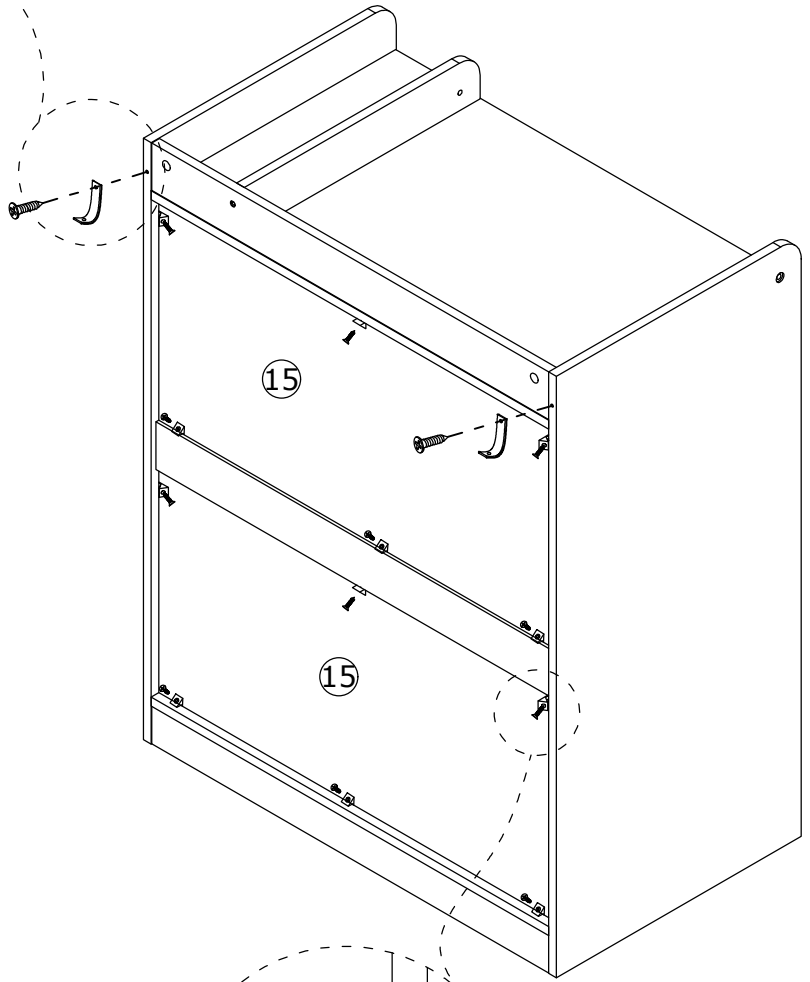
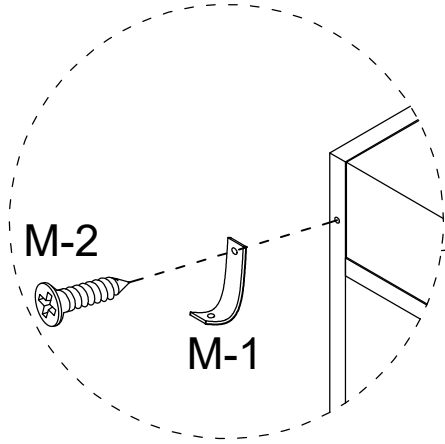
7

C x 17 	D x 7 	
---	--	--




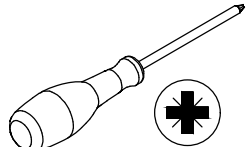


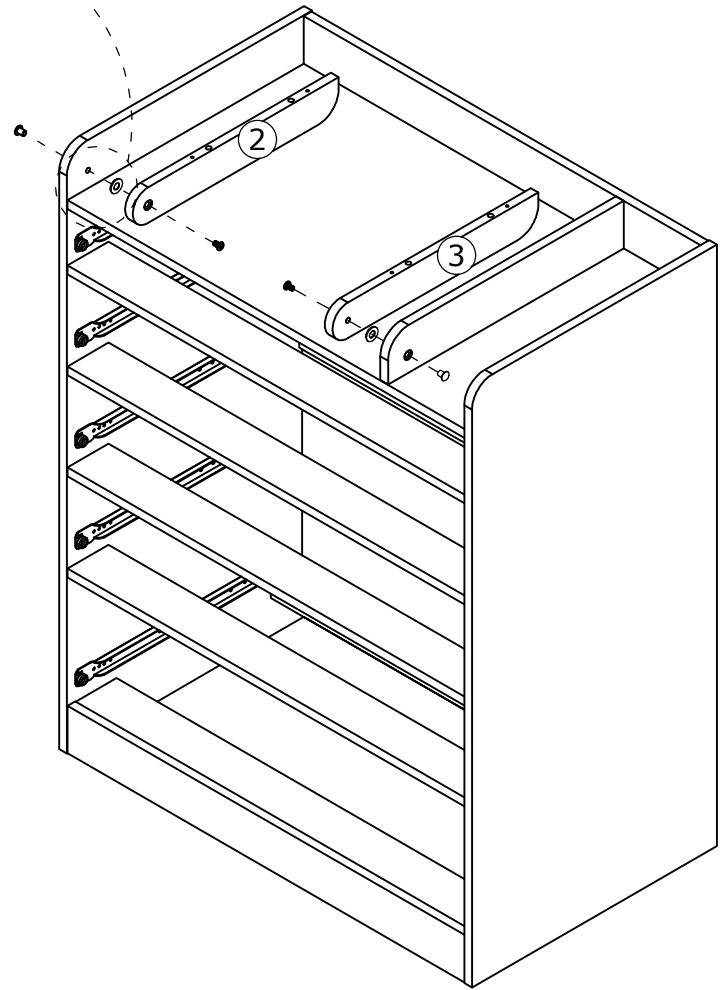
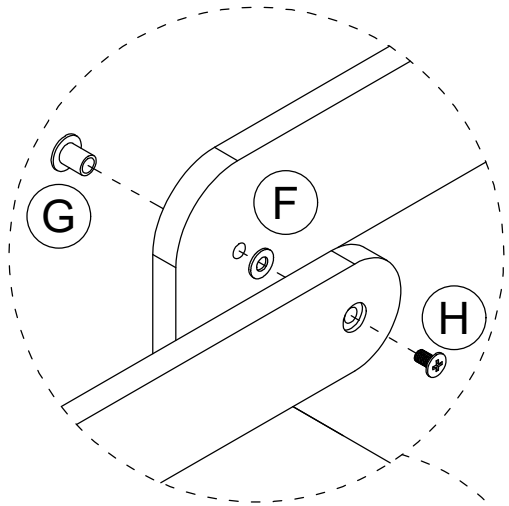
8

<p>N x 12</p> 	<p>M x 2</p>  <p>M-1      M-2</p>	
---	--	--

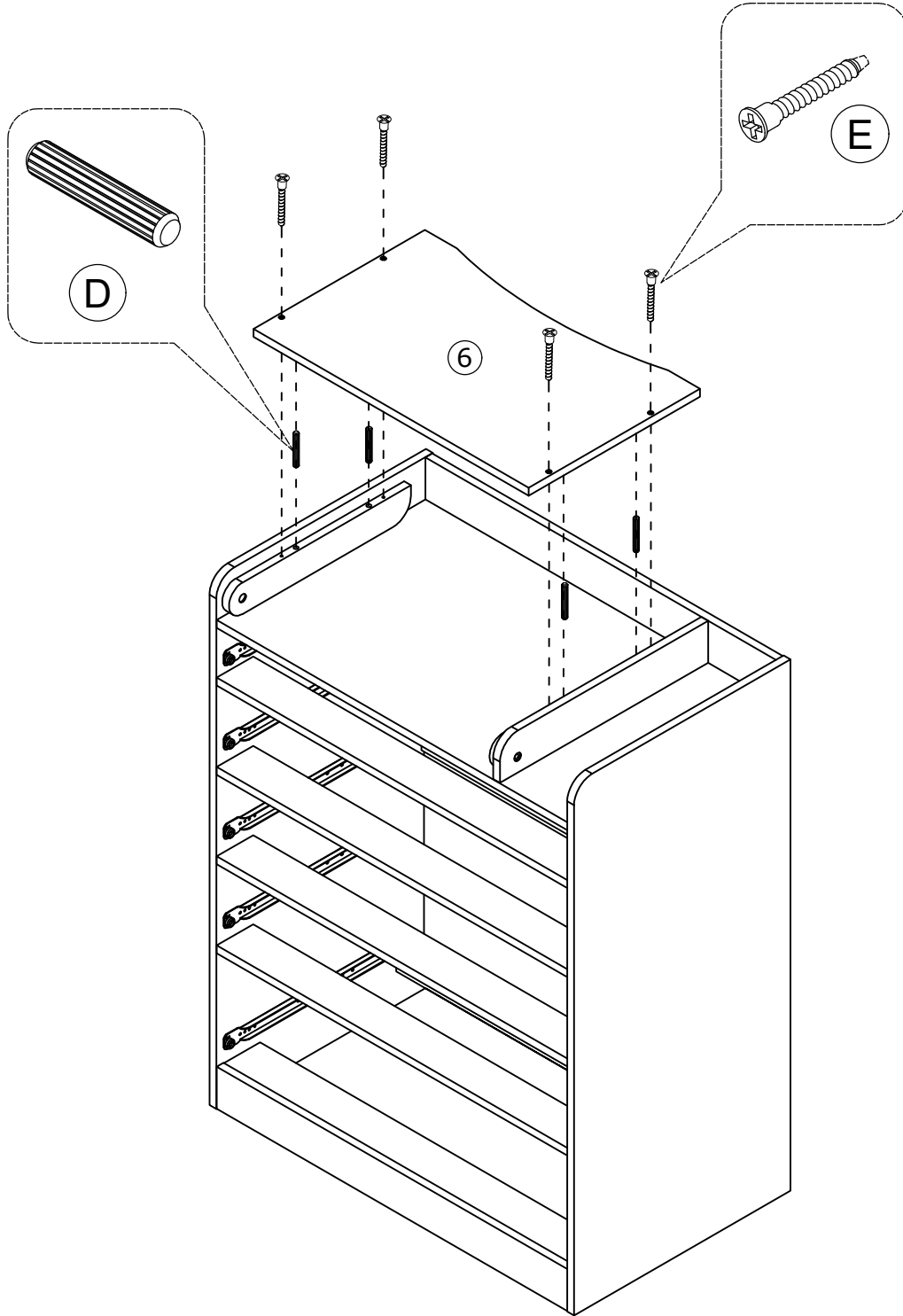
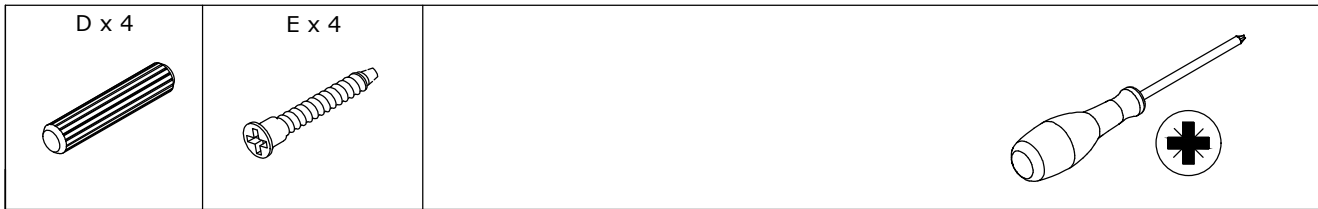


9


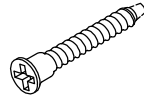
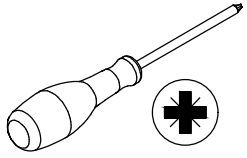

Gx 2 	H x 2 	F x 2 	
---	--	--	--


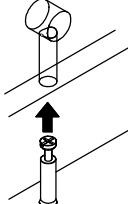
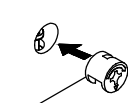
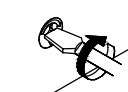


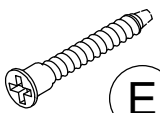
10

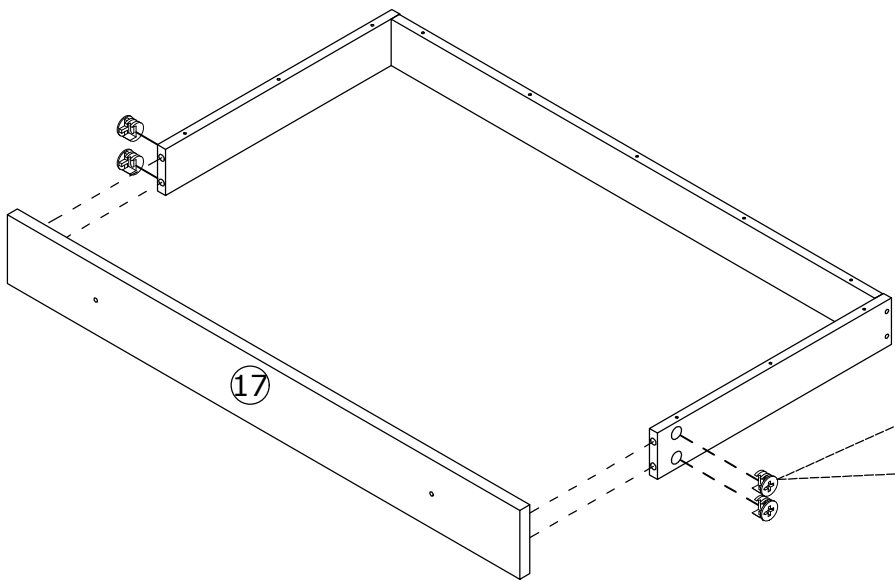
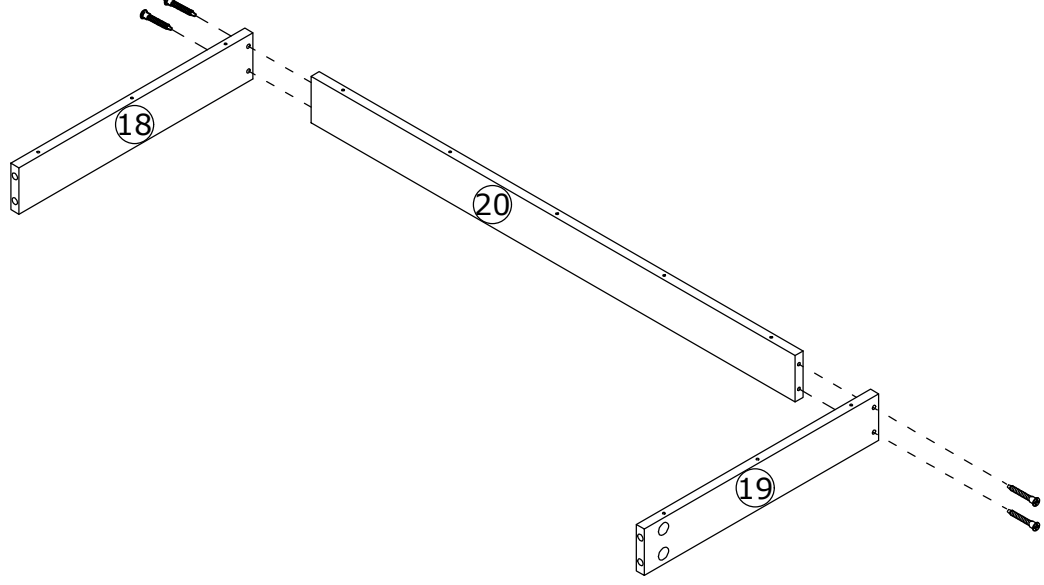


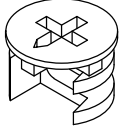
11

C x 4 	E x 4 	 
--	--	--


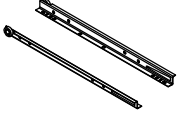
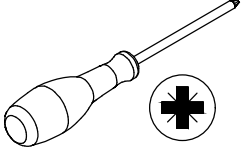
			
---	---	---	---

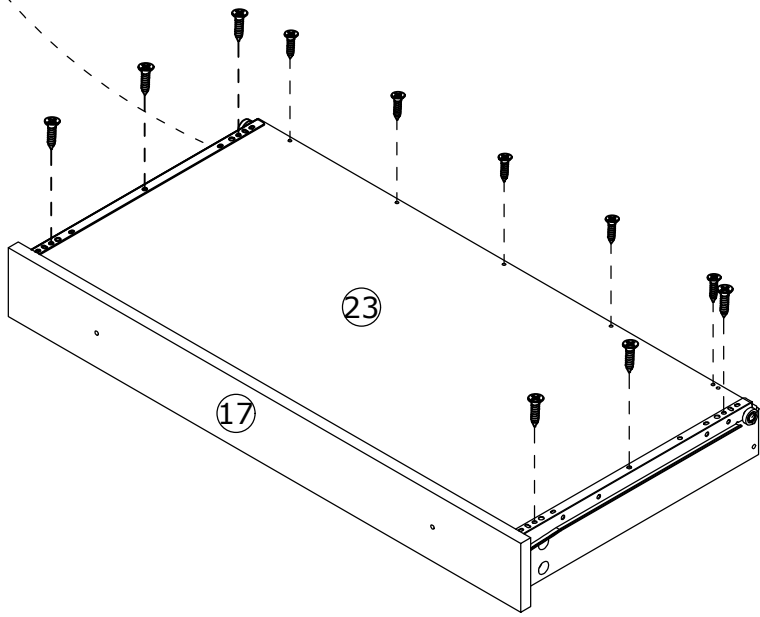
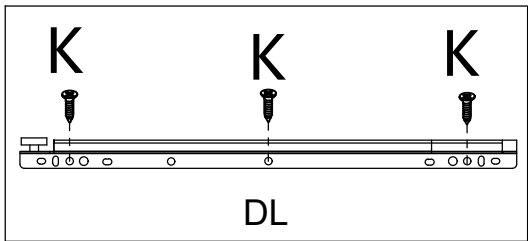
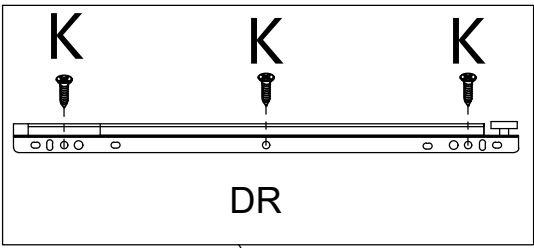
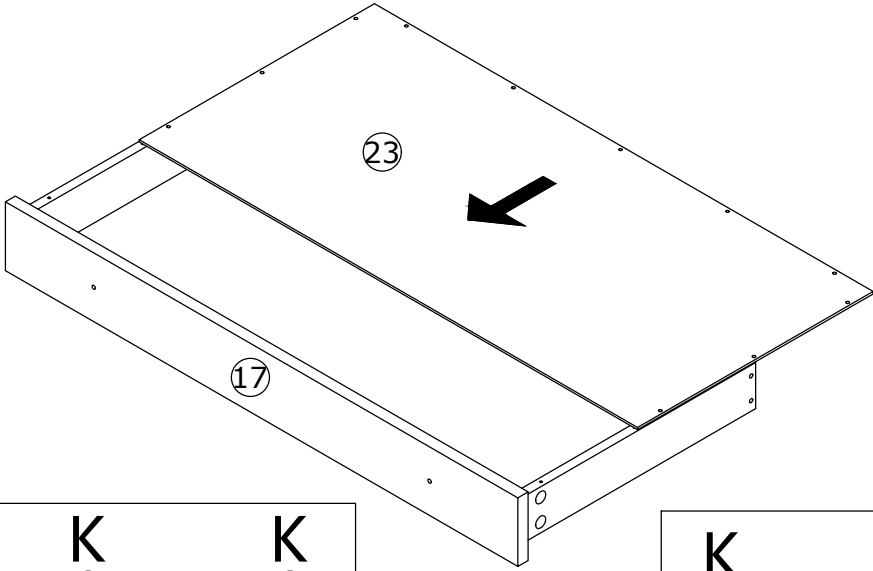
 E



 C

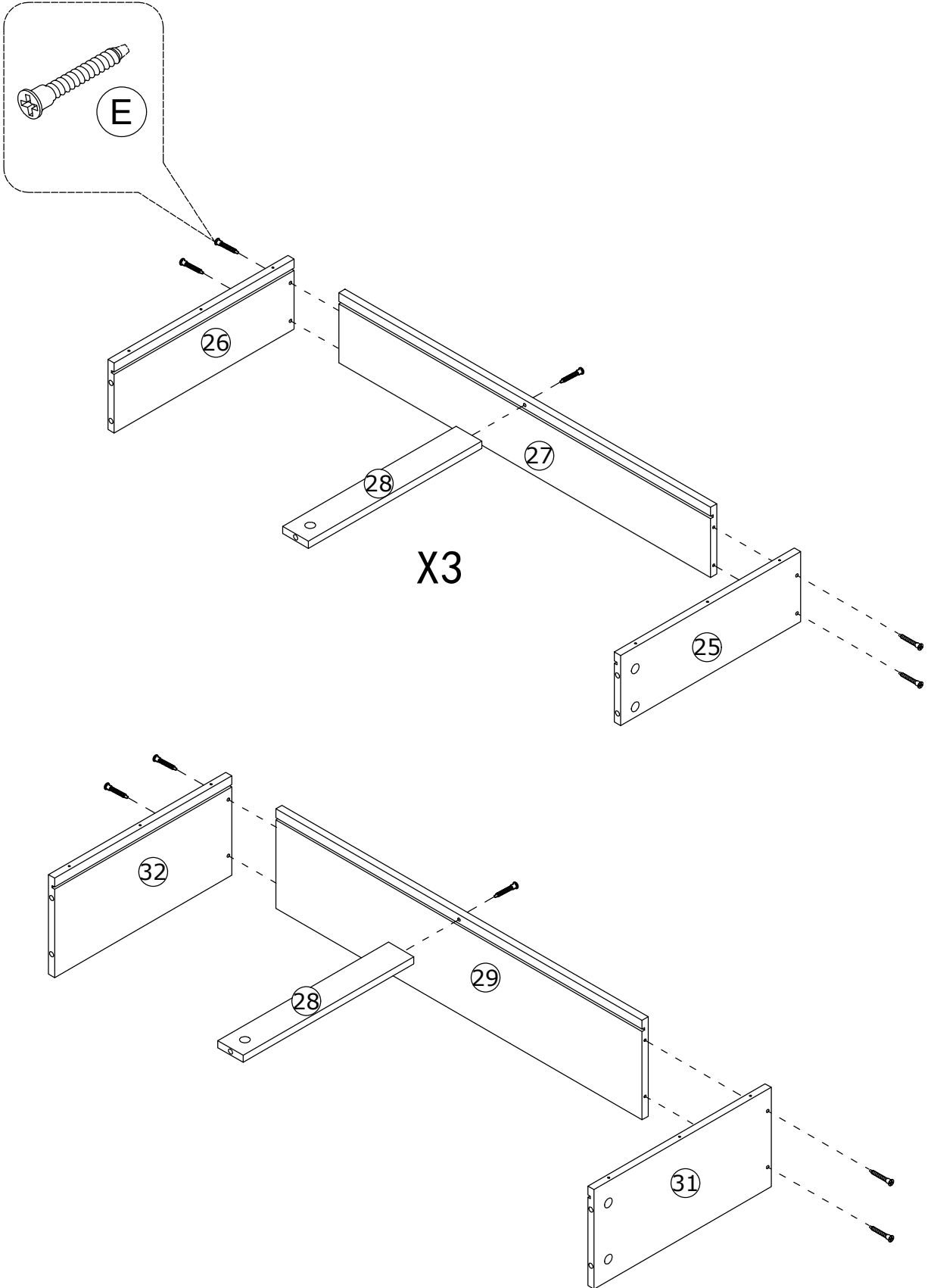
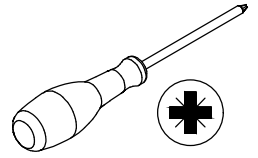
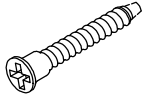
12

<p>K x 11</p> 	<p>DR+DL x 1</p> 	
---	--	--

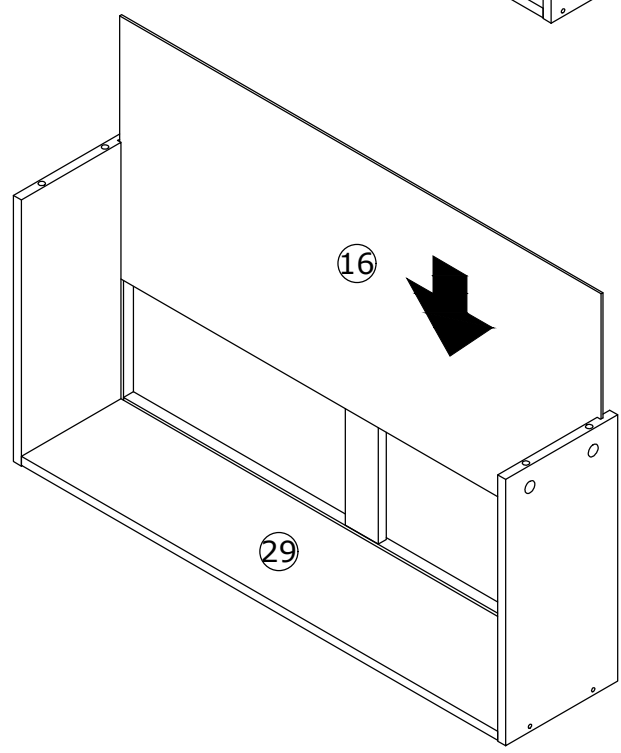
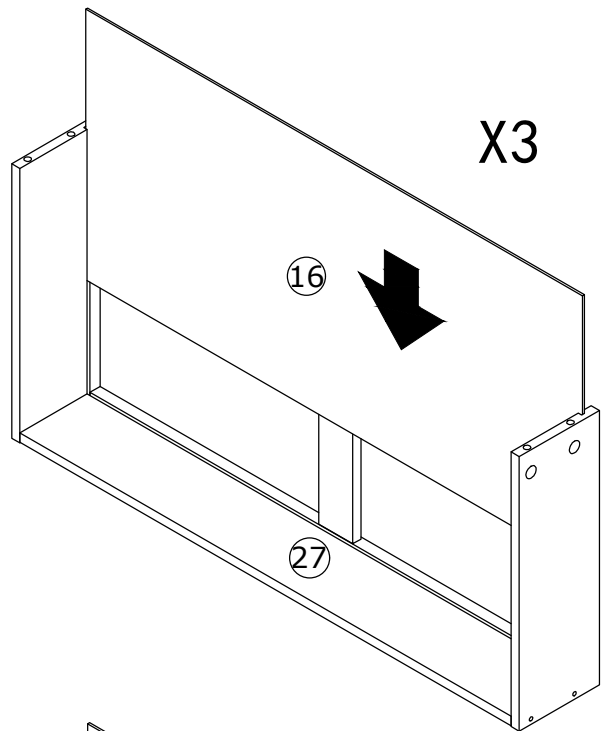
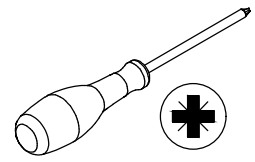


13

E x 20

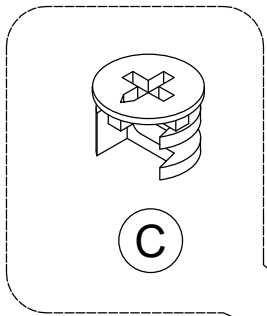
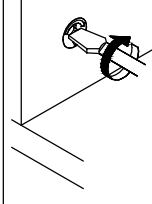
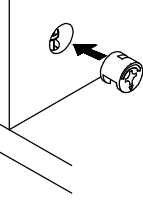
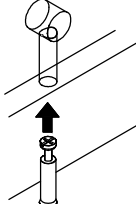




14

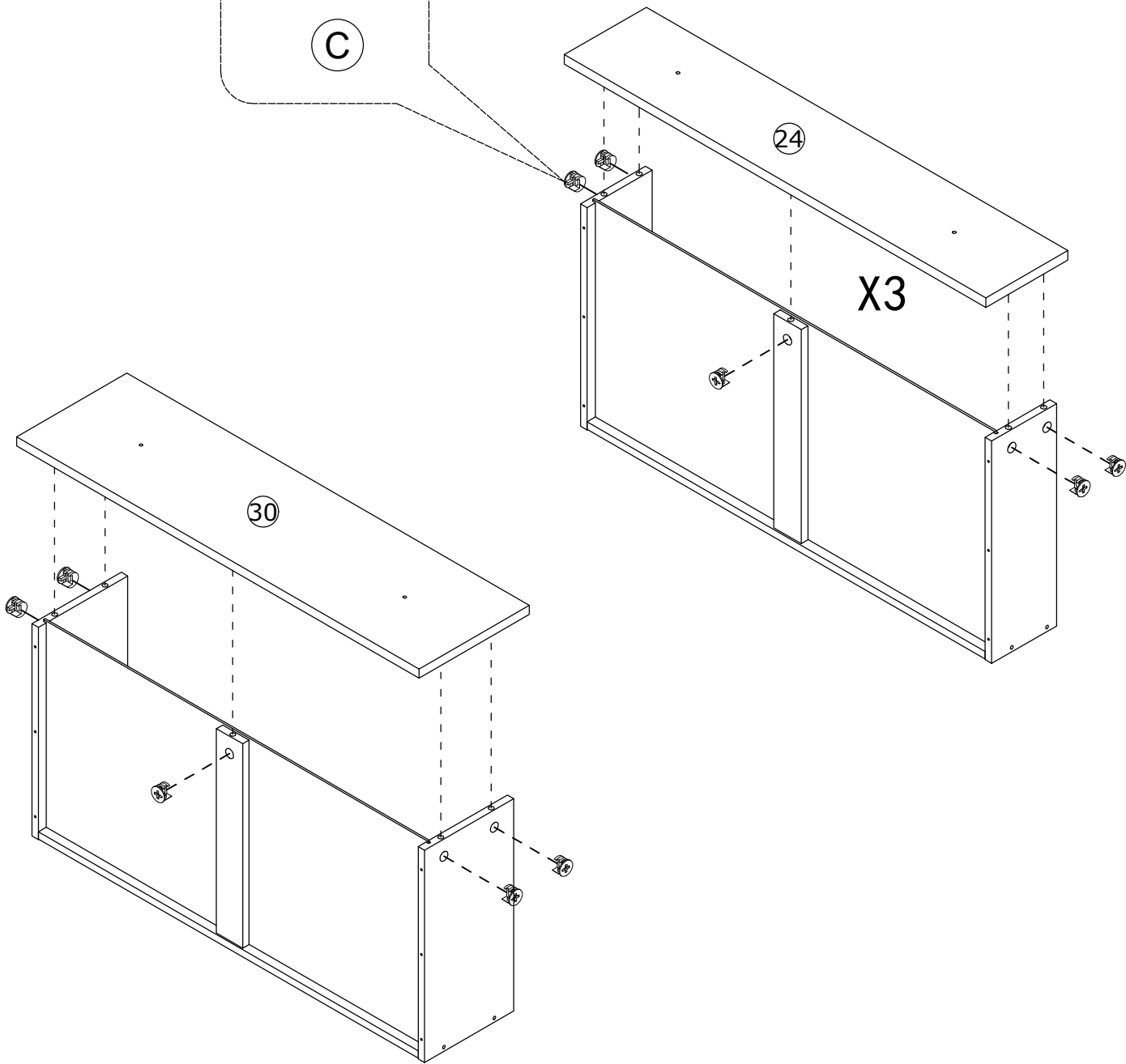


15

C x 20



C

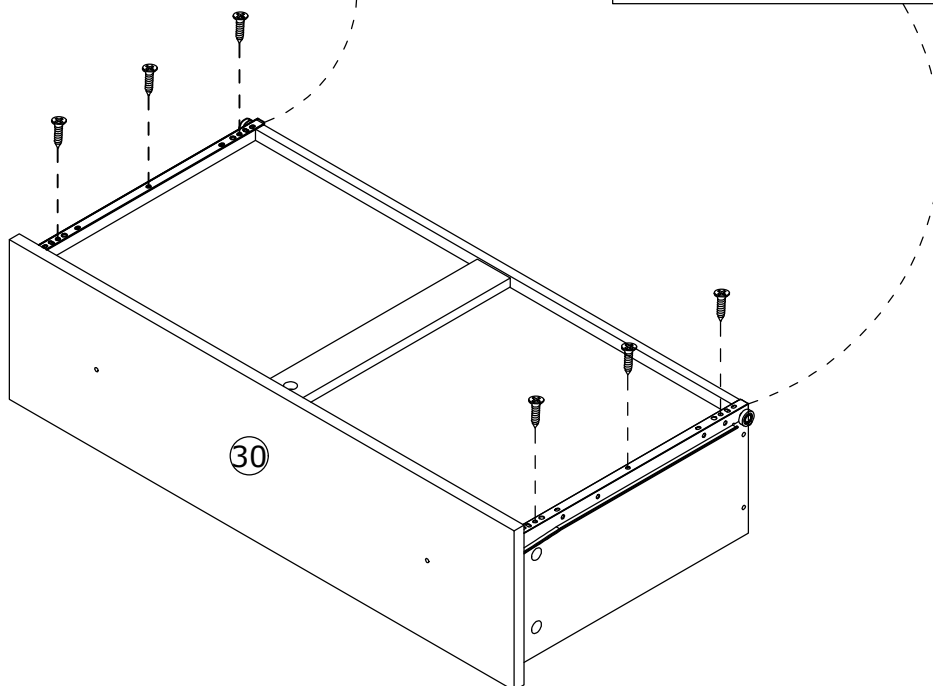
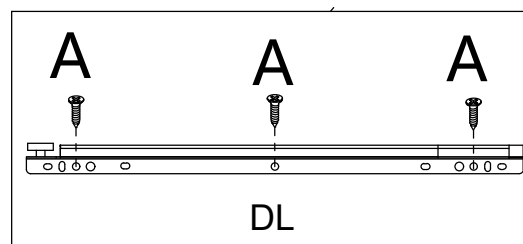
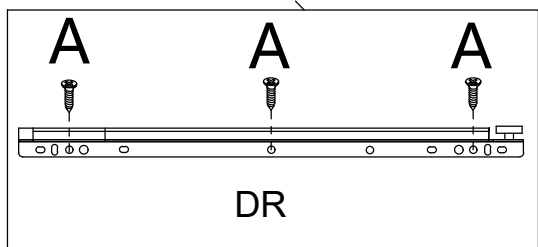
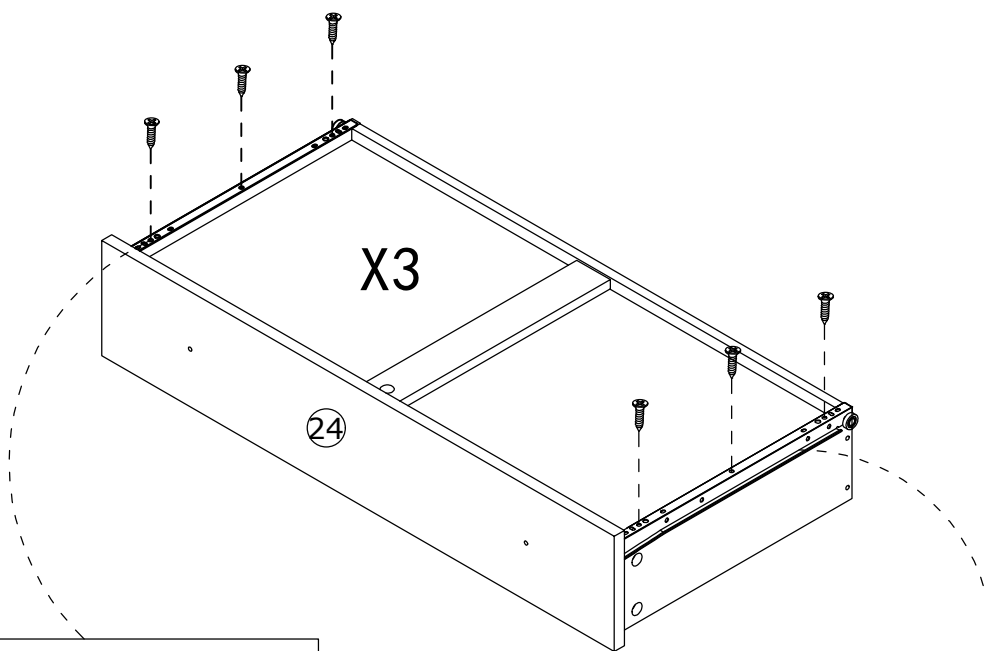
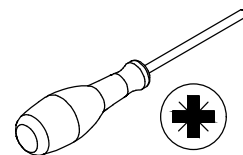


16

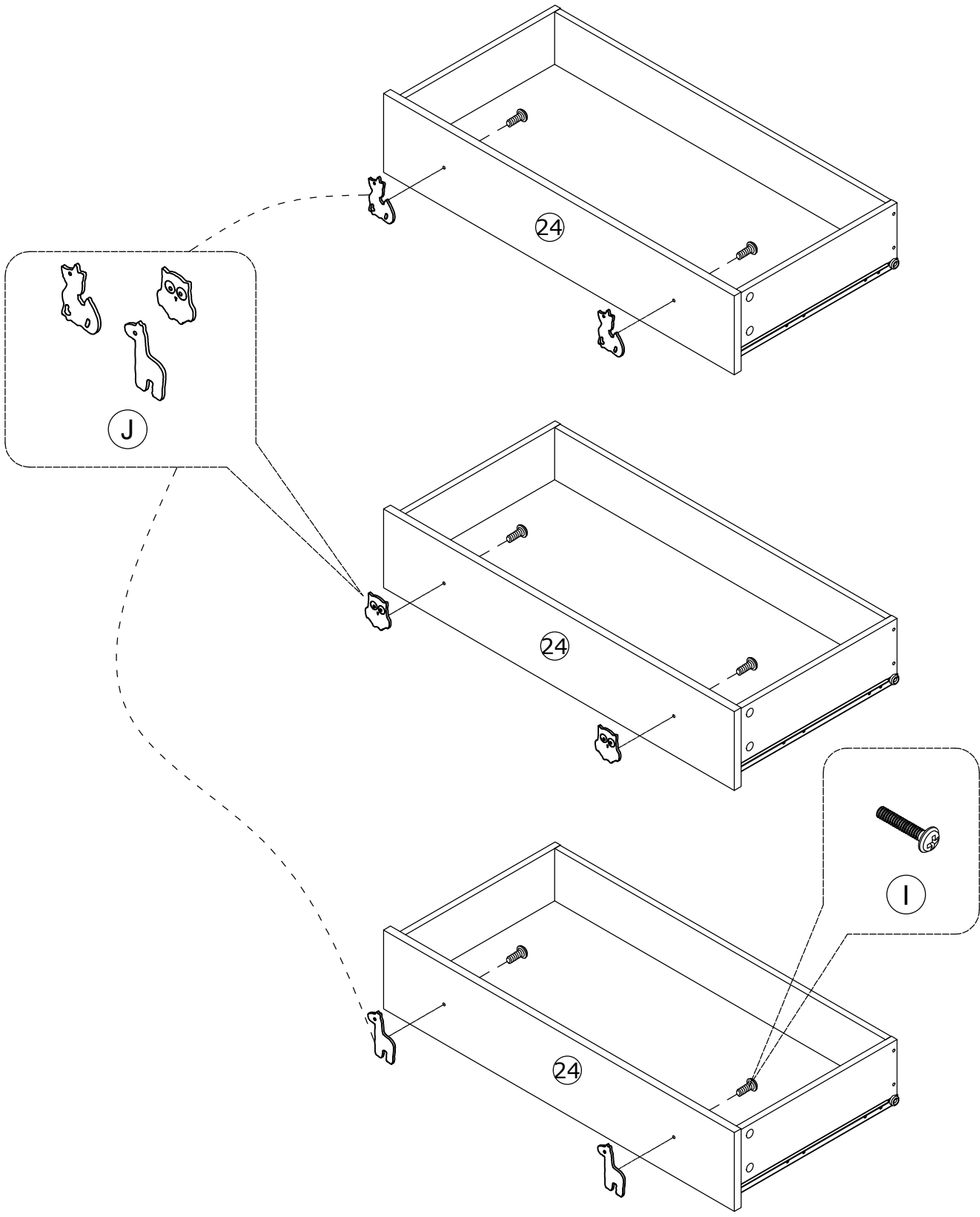
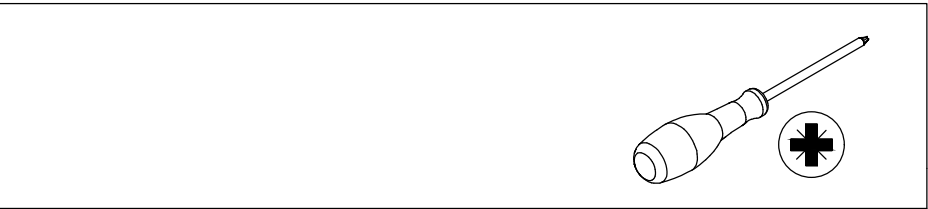
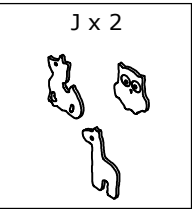
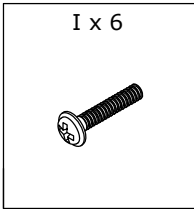
A x 24



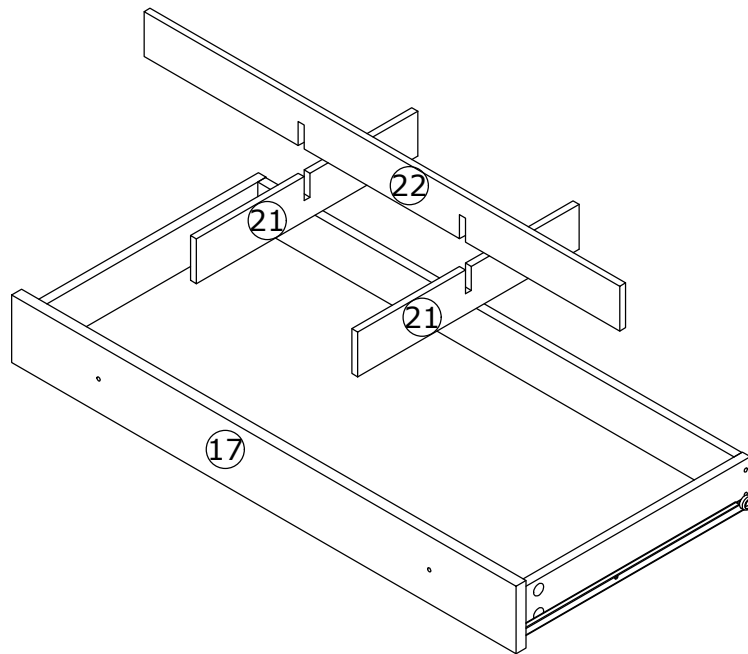
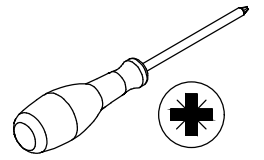
DR+DL x 4




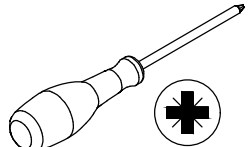
17

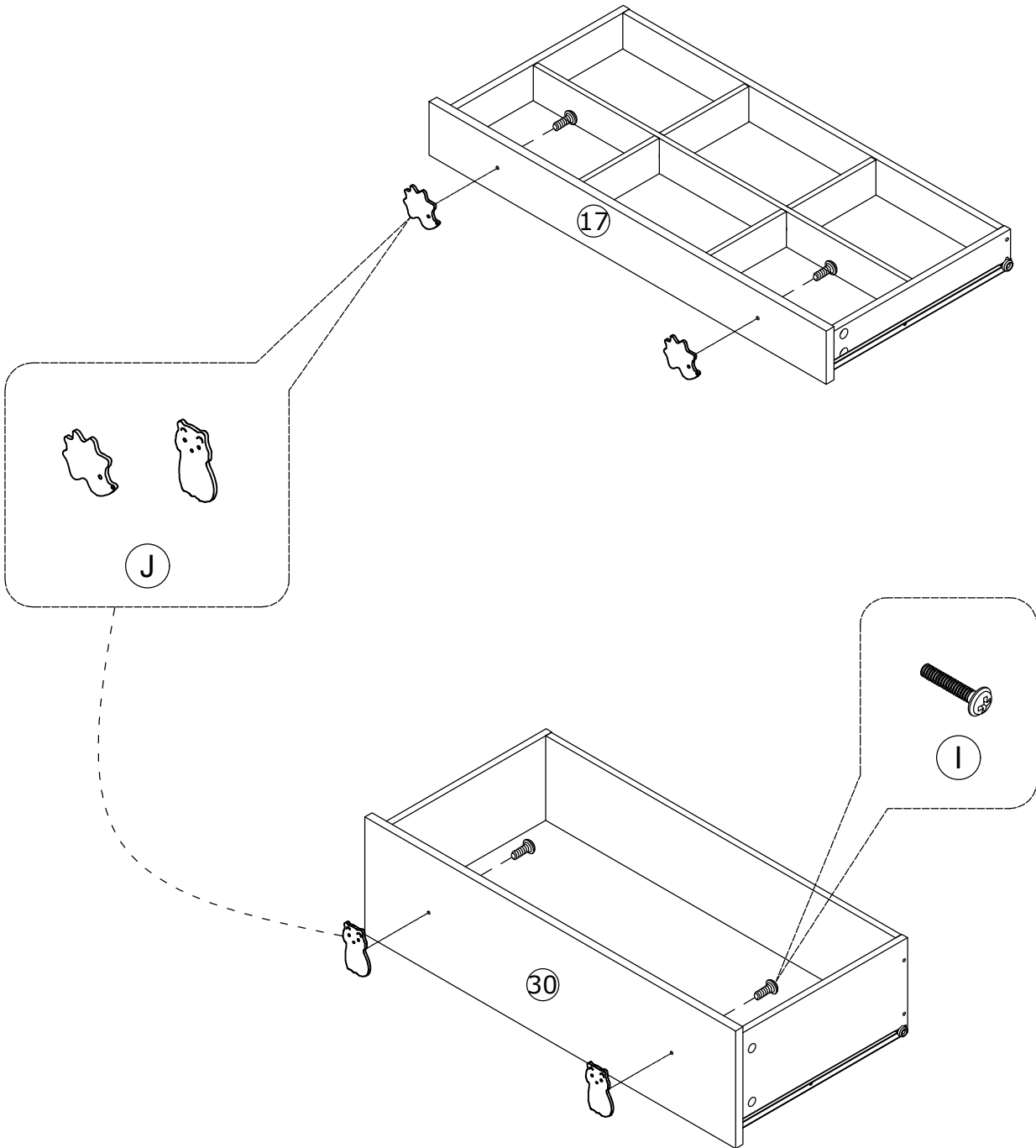


18



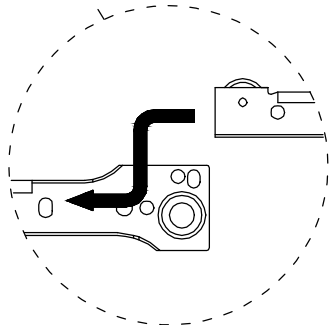
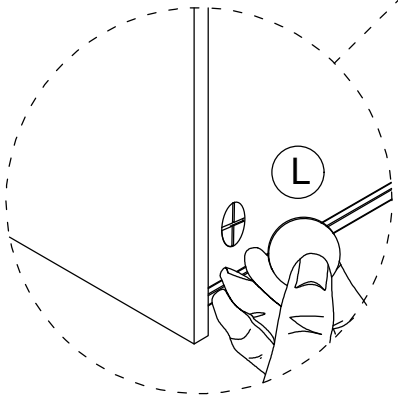
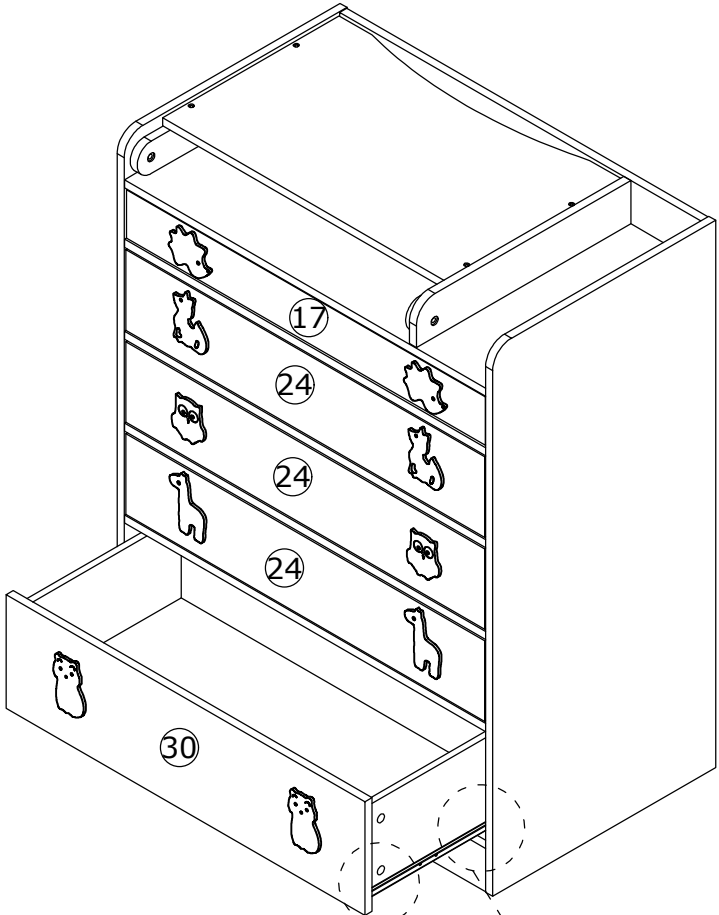
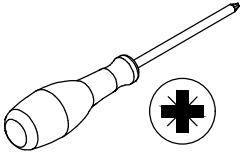

19

<p>I x 4</p> 	<p>J x 2</p> 	
--	--	--



20

Lx 64



21

