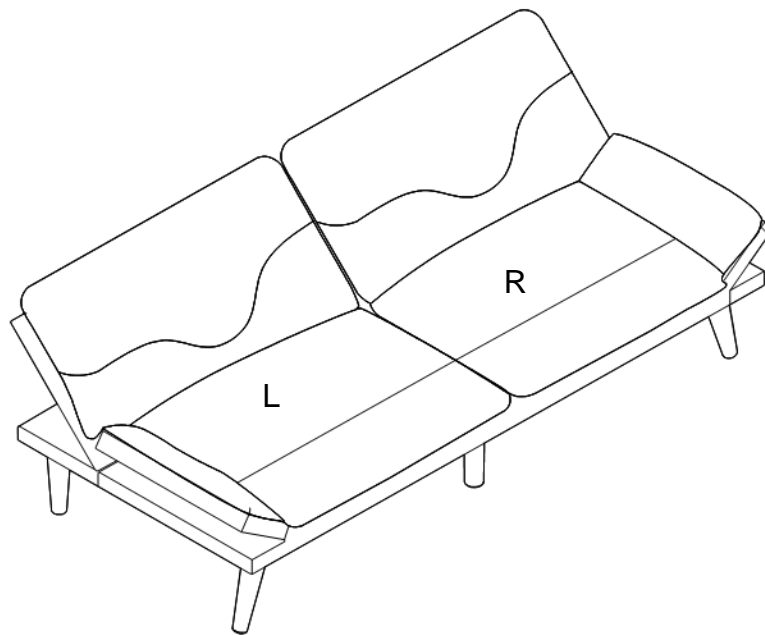
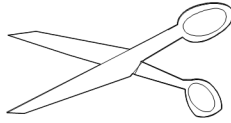


Assembly Instructions

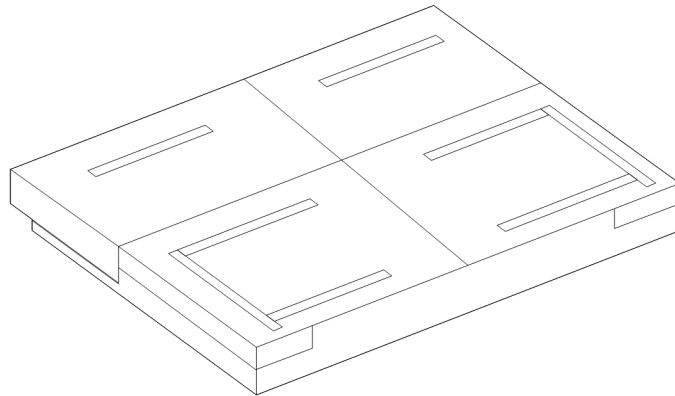


Tools Needed (Not Included)



Scissors

Supplied Parts and Hardware



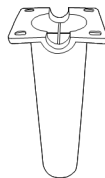
01 x 1
Frame

02 x 4



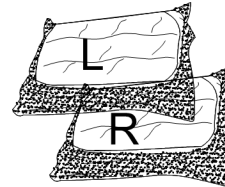
Leg

03 x 2



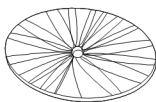
Center Leg

04 x 2



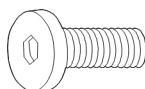
Cushion

A x 4



Washer

B x 8



Bolt

C x 8



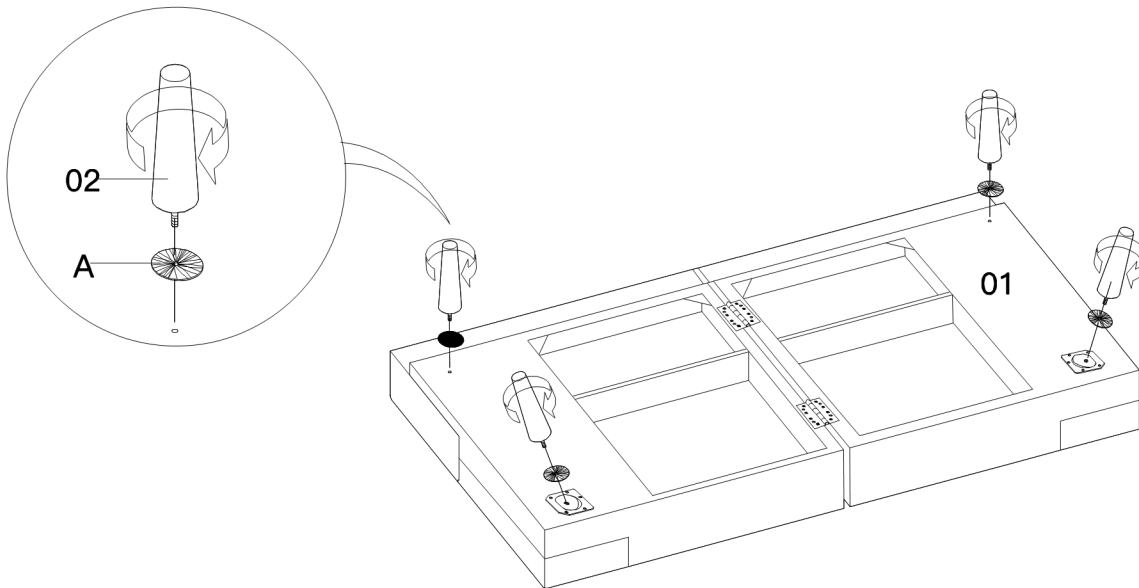
Washer

D x 1

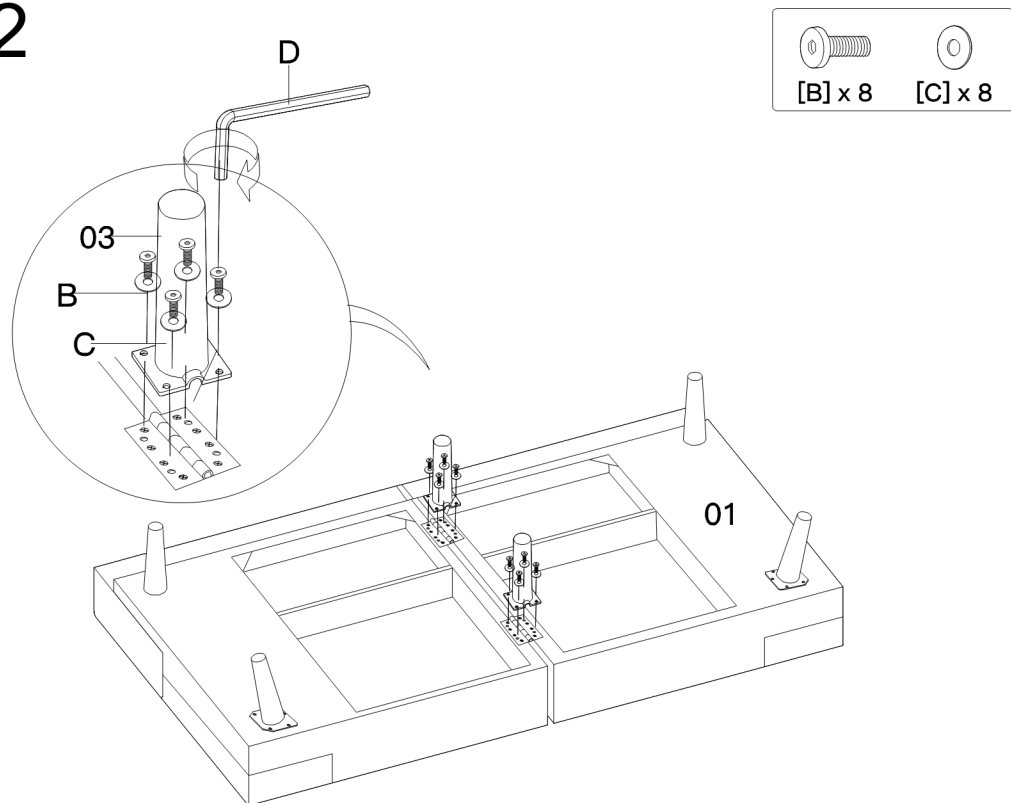


Allen Key

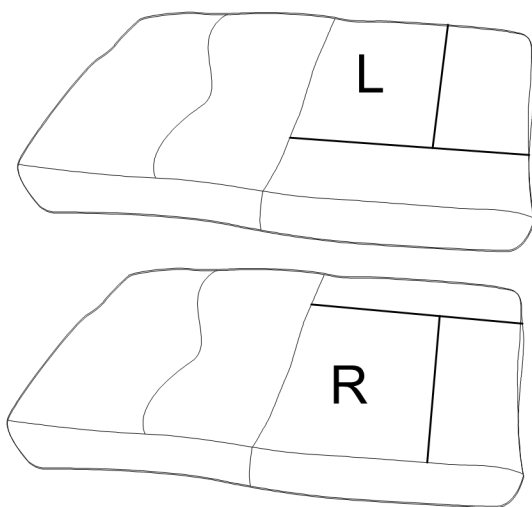
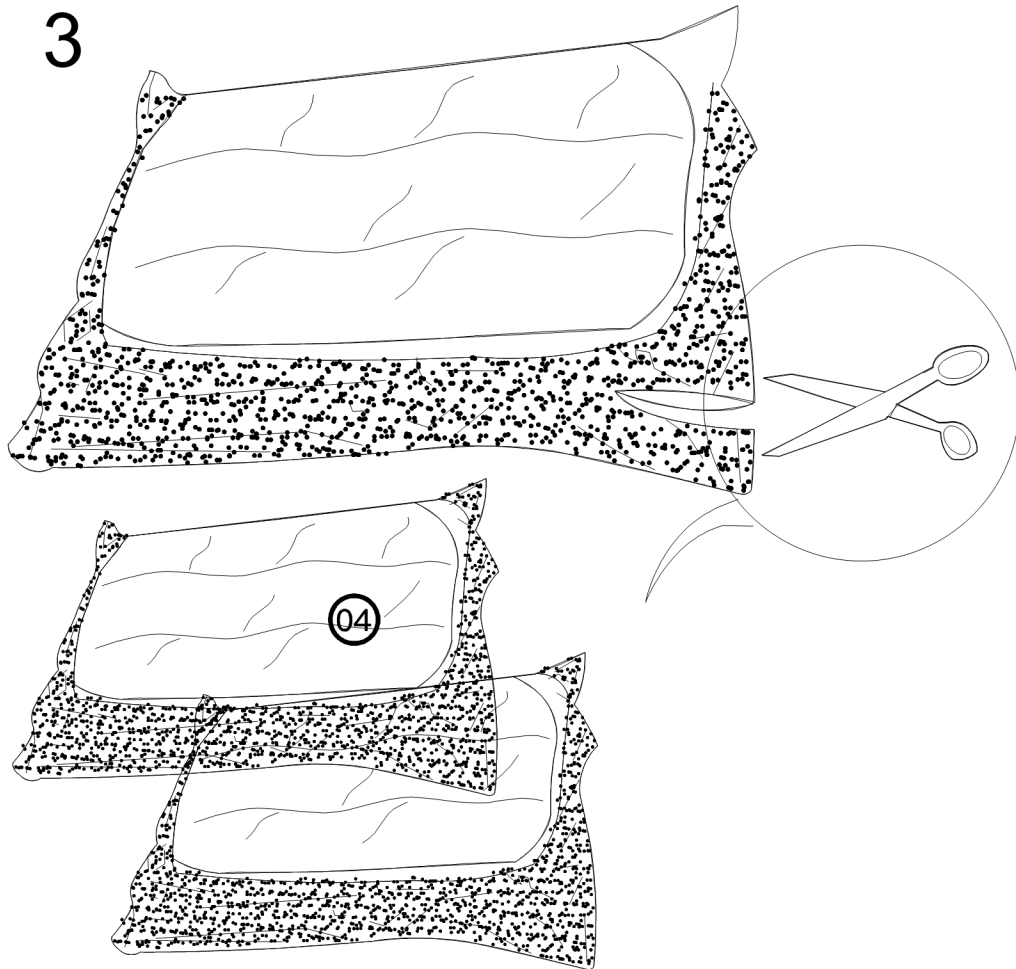
Step 1



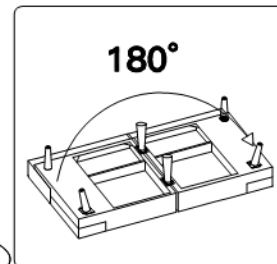
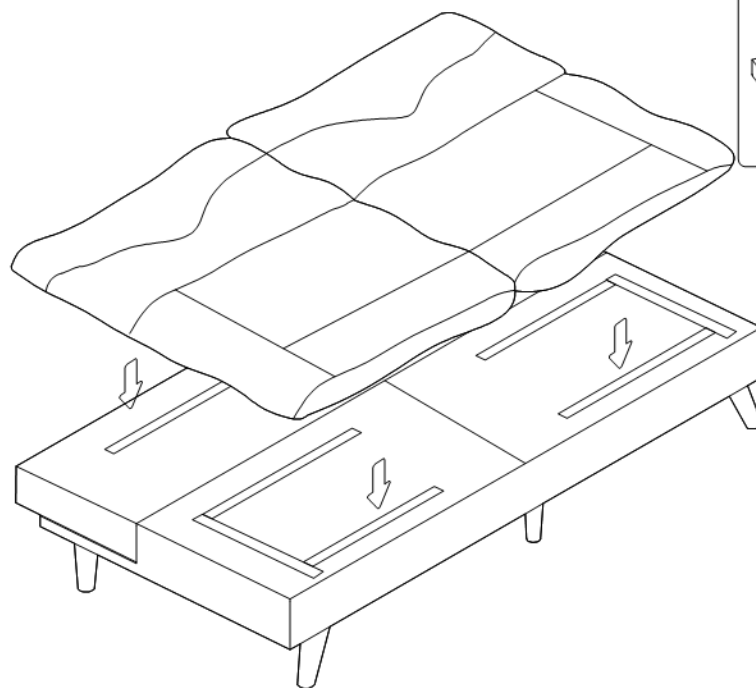
Step 2



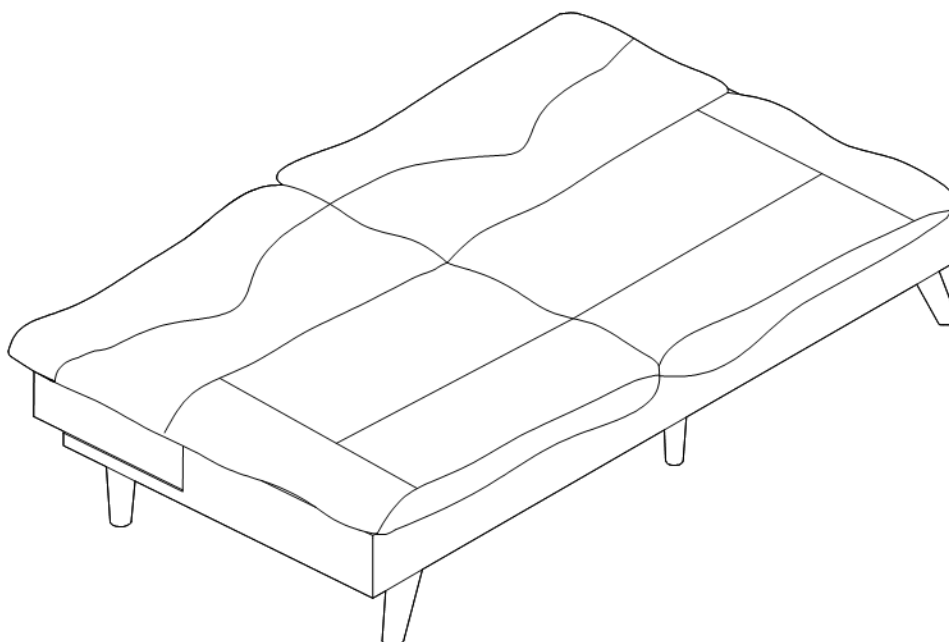
Step 3



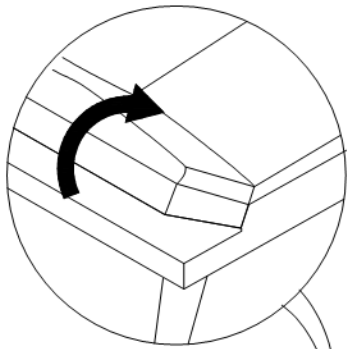
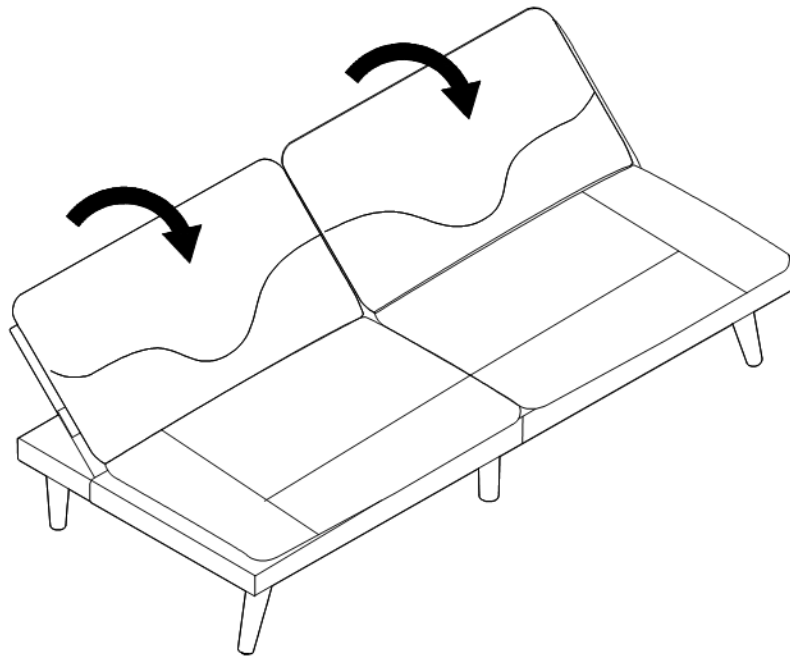
Step 4



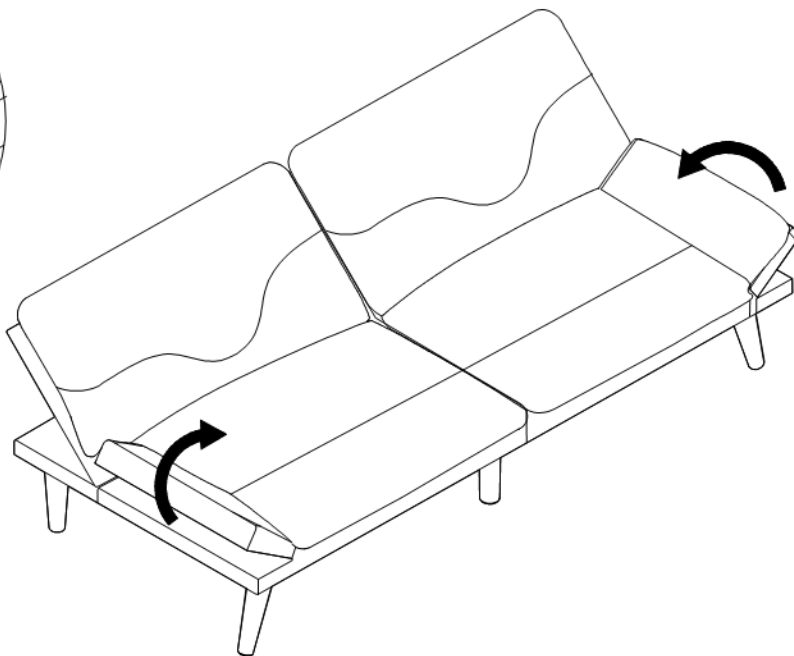
Step 5



Sofa Setup

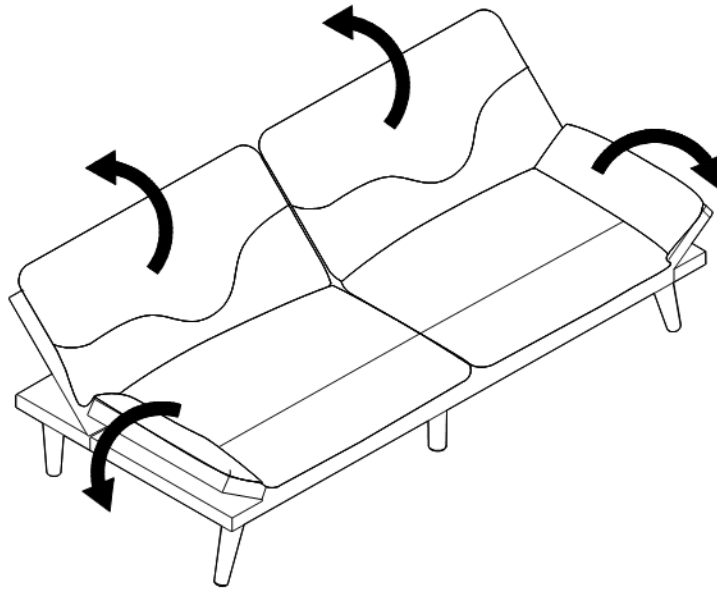


5 Angle Adjustment

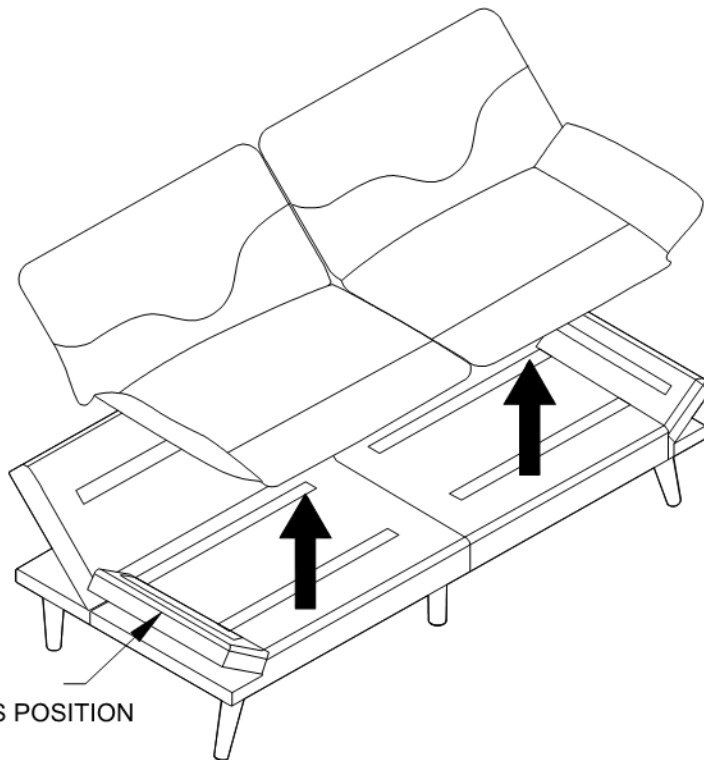


Convert the Sofa into a Bed:

Press the backrests and armrests toward the middle to unlock, then lay them flat.



TIP: If converting is difficult, remove the cushions first.



WHEN OPENED,
DO NOT SIT IN THIS POSITION