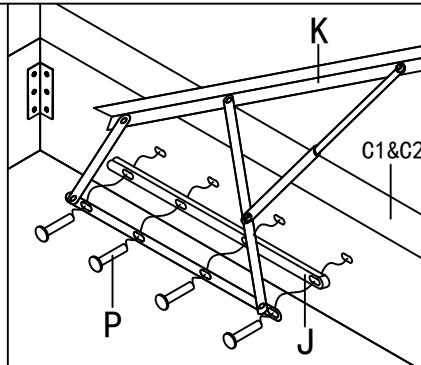
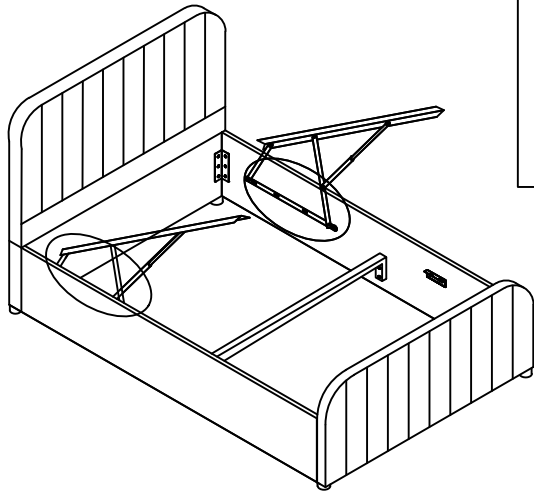


G1x1

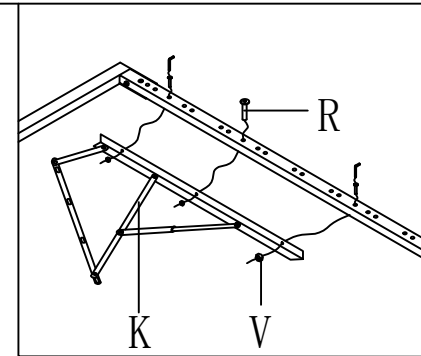
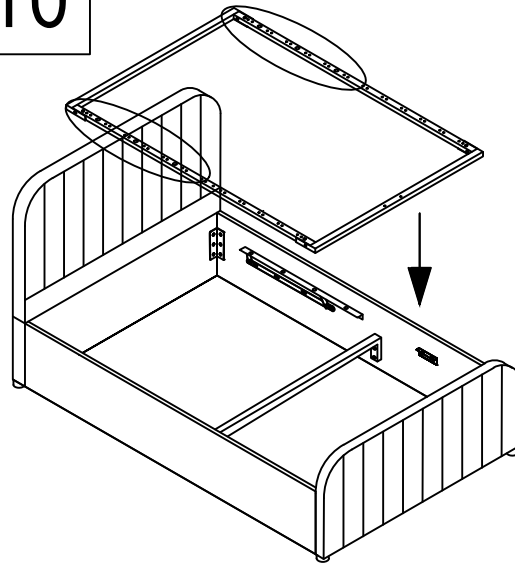


Phillips Bit

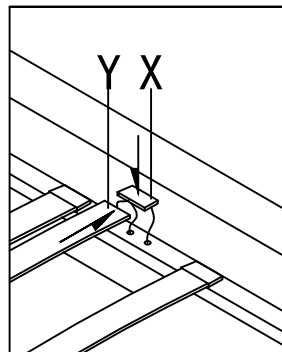
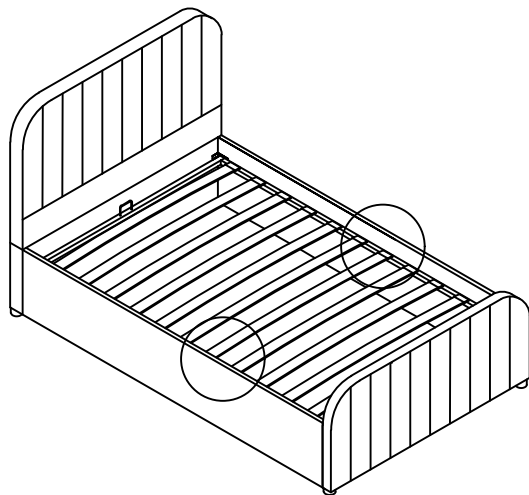
9



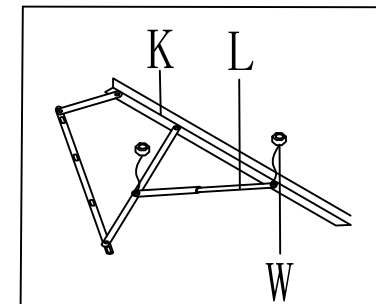
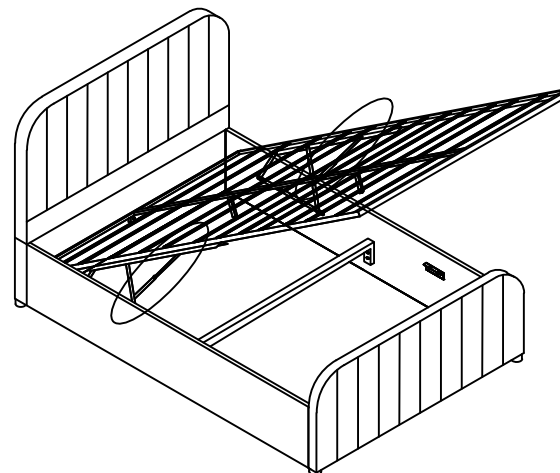
10



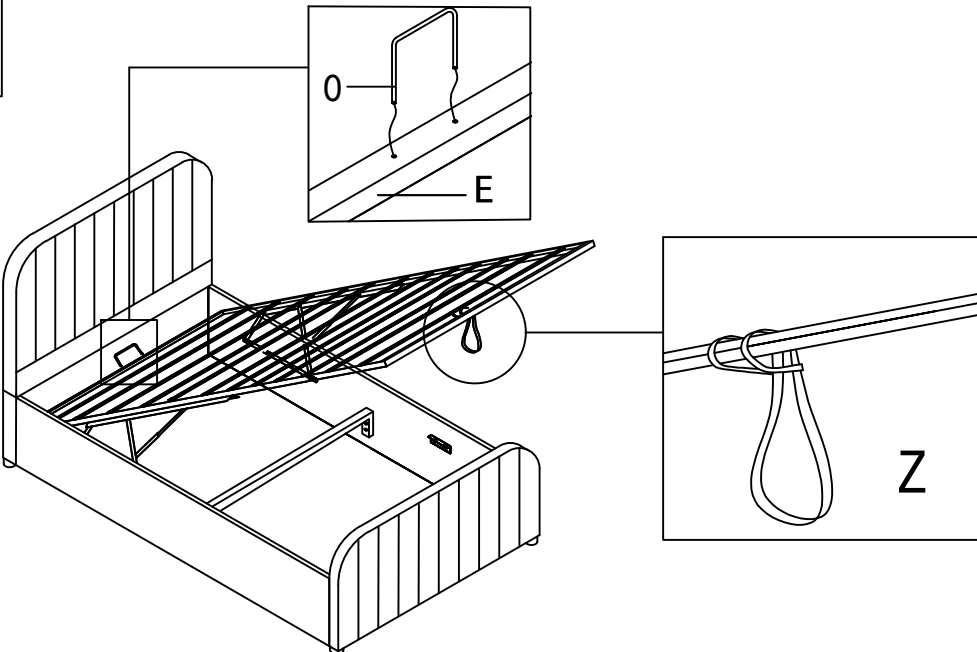
11



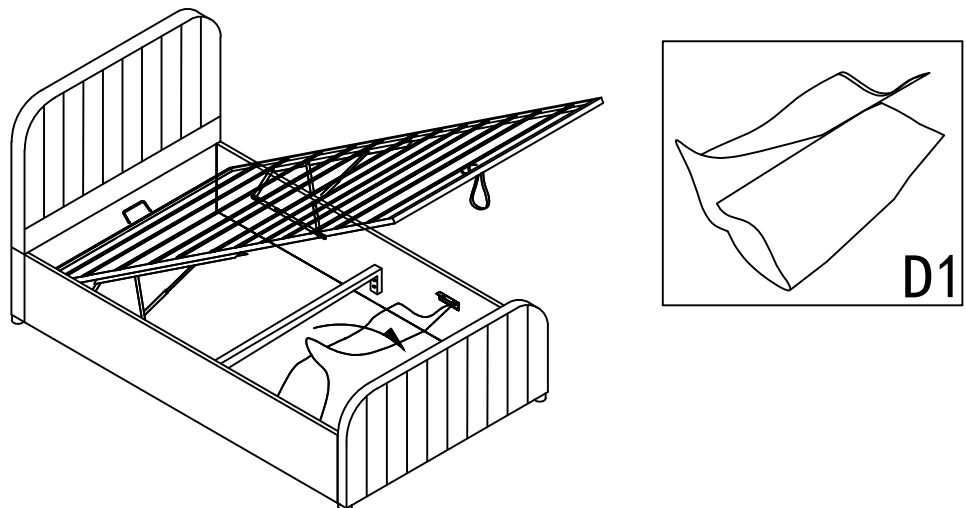
12



13



14



15

