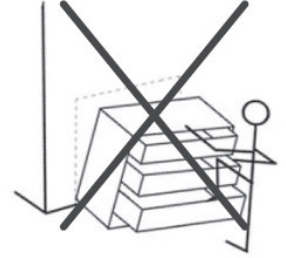
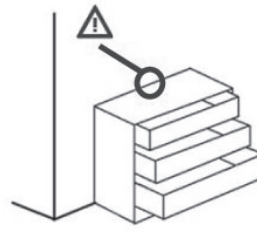
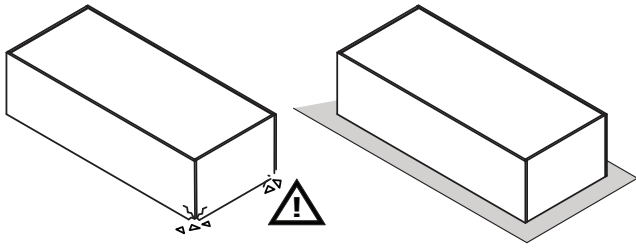
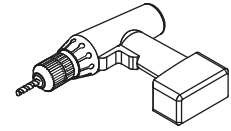
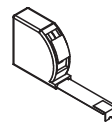
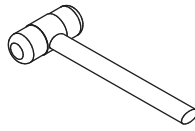
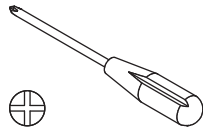
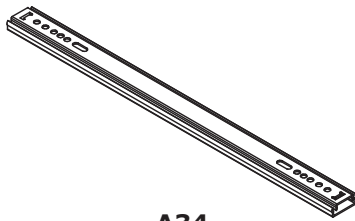


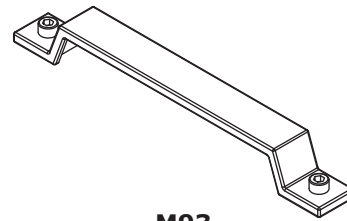
2h



BU4228

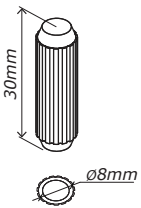


A34
x6



M93
x6

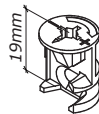
BU4170



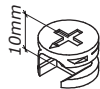
H1
x16



T28
x24



T97
x8



T98
x12



T99
x4



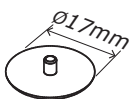
H54
x12



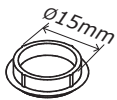
V5
x12



V38
x6



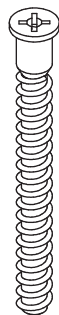
G136
x12



G156
x8



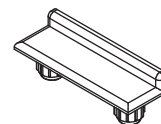
V16
x12



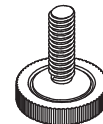
V115
x5



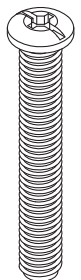
H113
x7



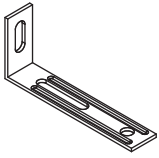
H114
x1



P14
x4



V152
x4



H185
x1



V81
x2



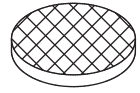
H129
x2



R40
x16

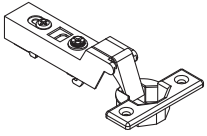


H15
x44

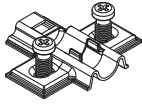


H139
x1

BU3471



C77
x4

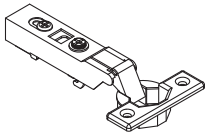


B28
x4

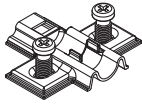


V5
x8

BU2166



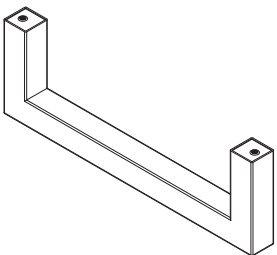
C63
x2



B28
x2



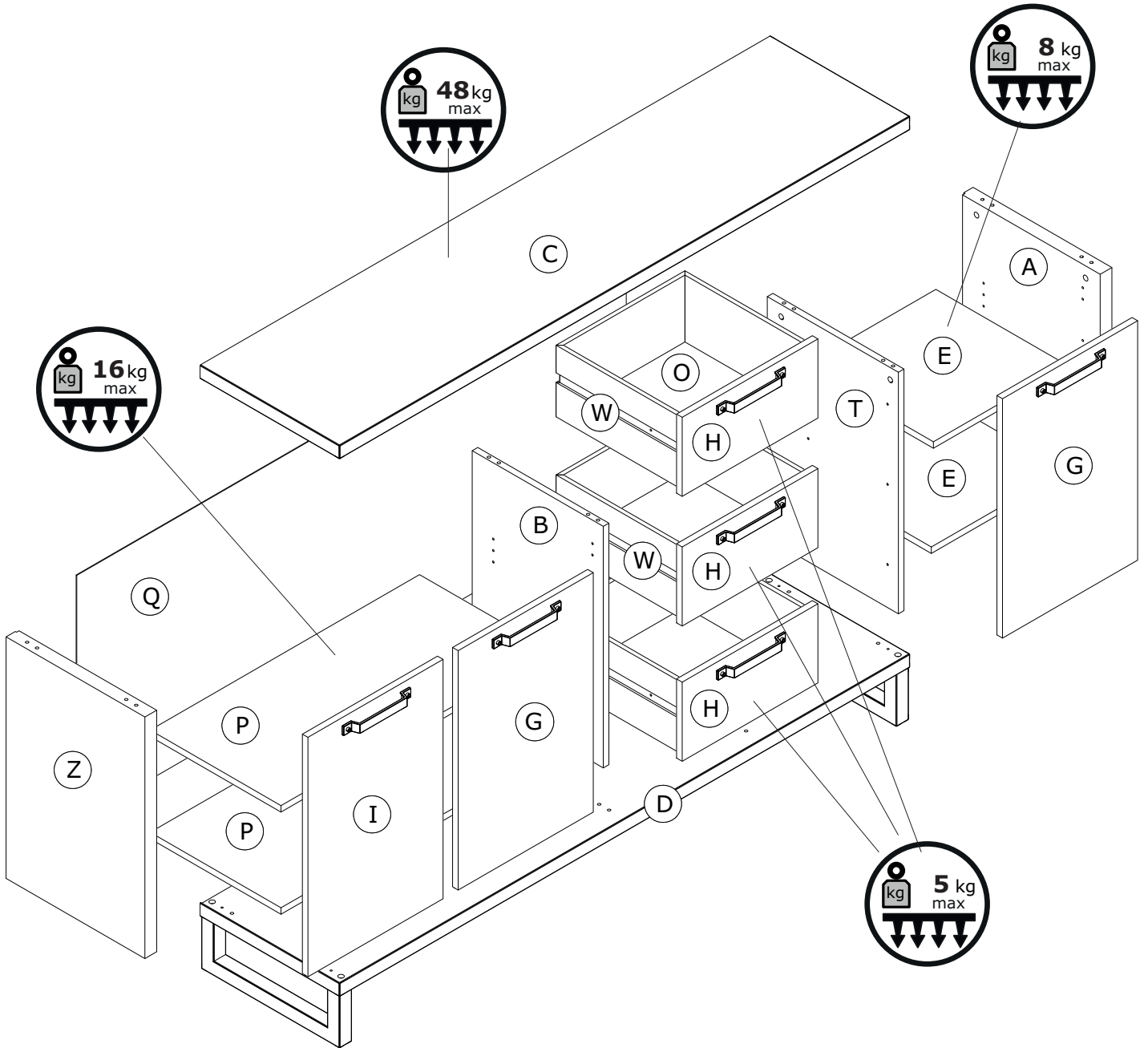
V5
x4

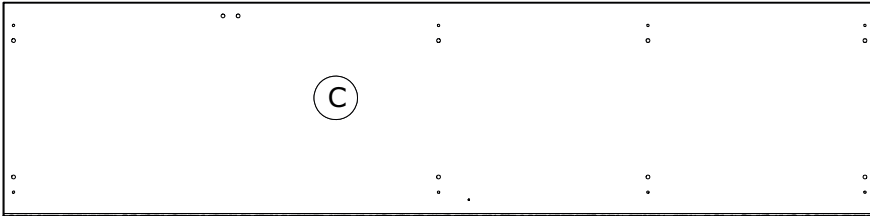


P71
x2

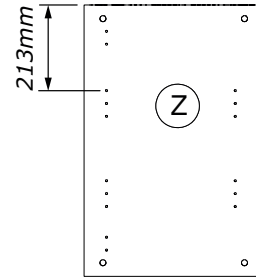


W557
x1

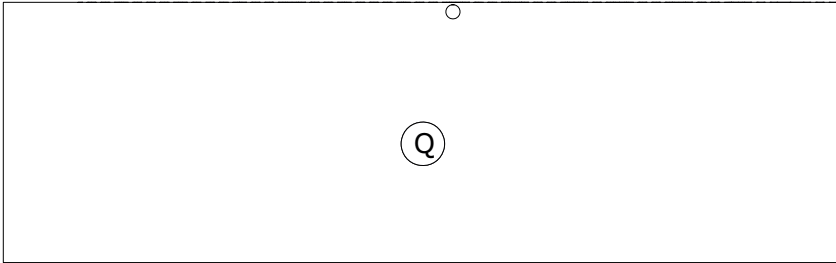




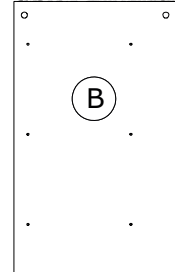
CA3548
1841x450x38mm



FI8625
675x448x38mm

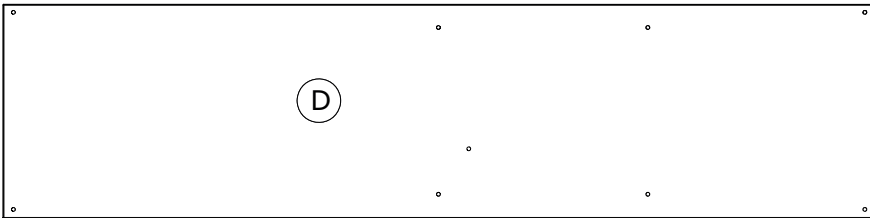


SS0738
1773x689x2mm

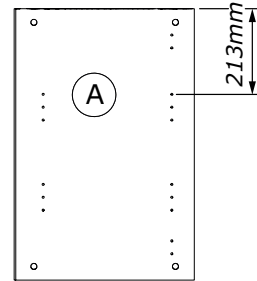


TR2208
675x423x18mm

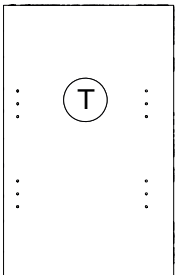
BOX 1/3



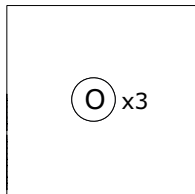
BA2165
1841x450x38mm



FI8626
675x448x38mm

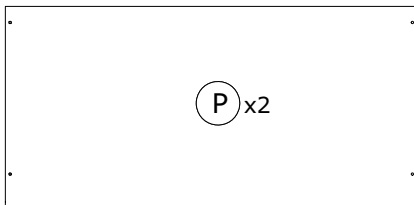


TR2209
675x423x18mm

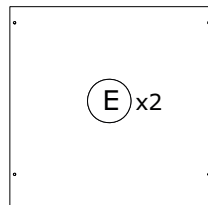


SH3310
403x401x2mm

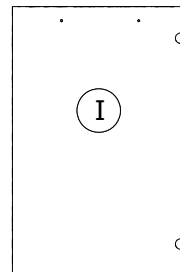
BOX 2/3



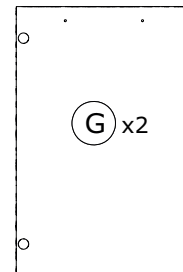
PI7102
869x422x18mm



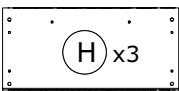
PI7103
430x422x18mm



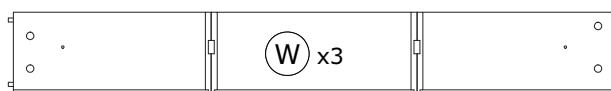
AN2823
669x436x18mm



AN2824
669x436x18mm



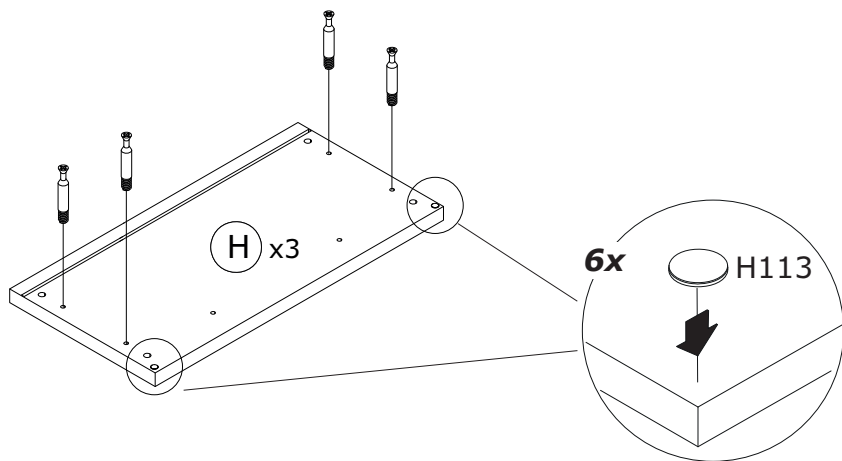
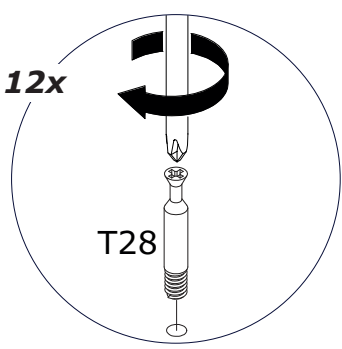
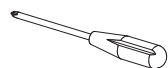
CS3337
438x221x18mm



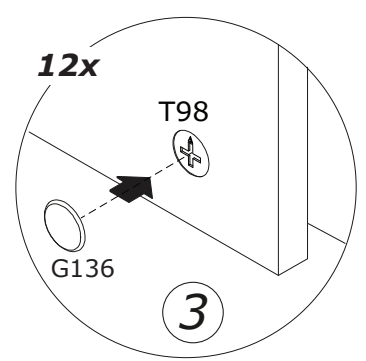
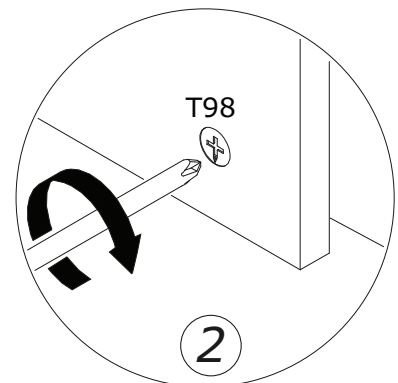
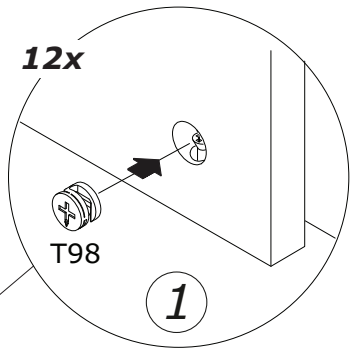
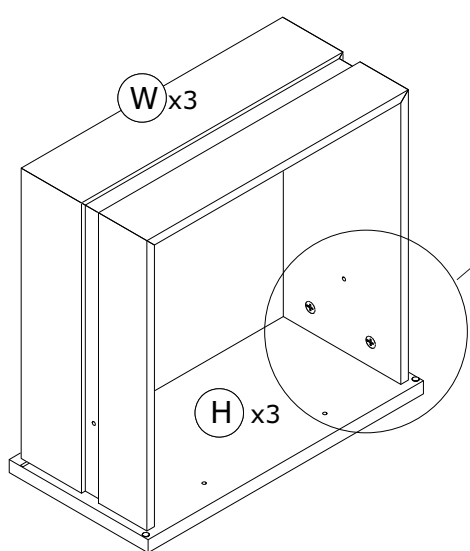
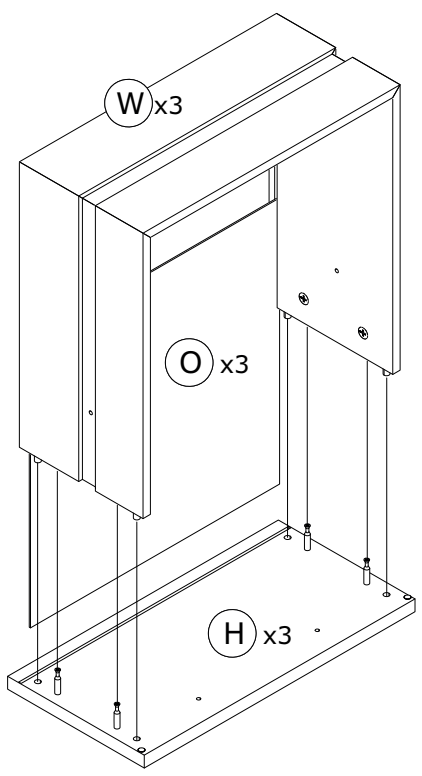
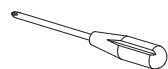
OF0548
400x416x400mm H.200mm

BOX 3/3

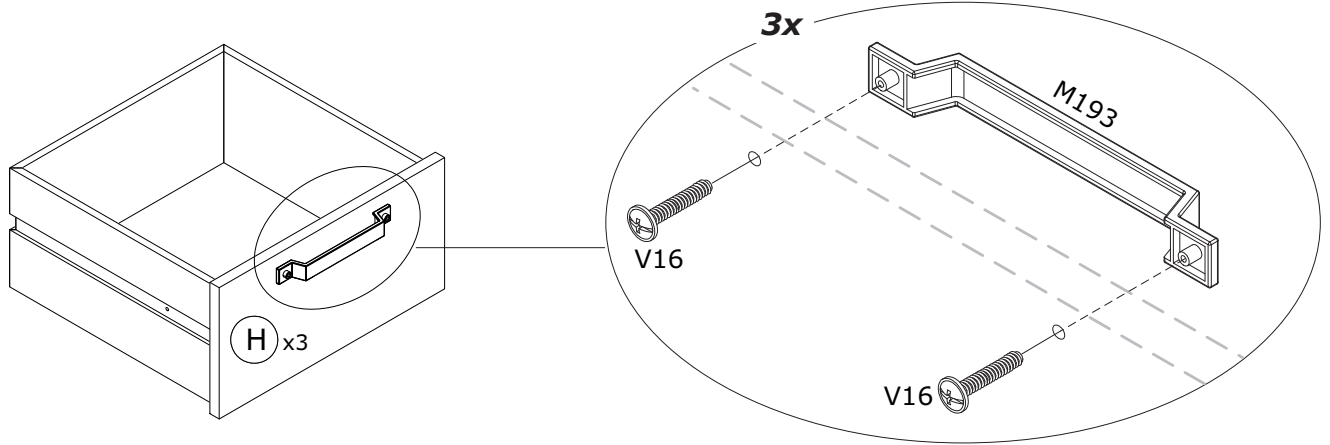
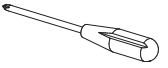
1



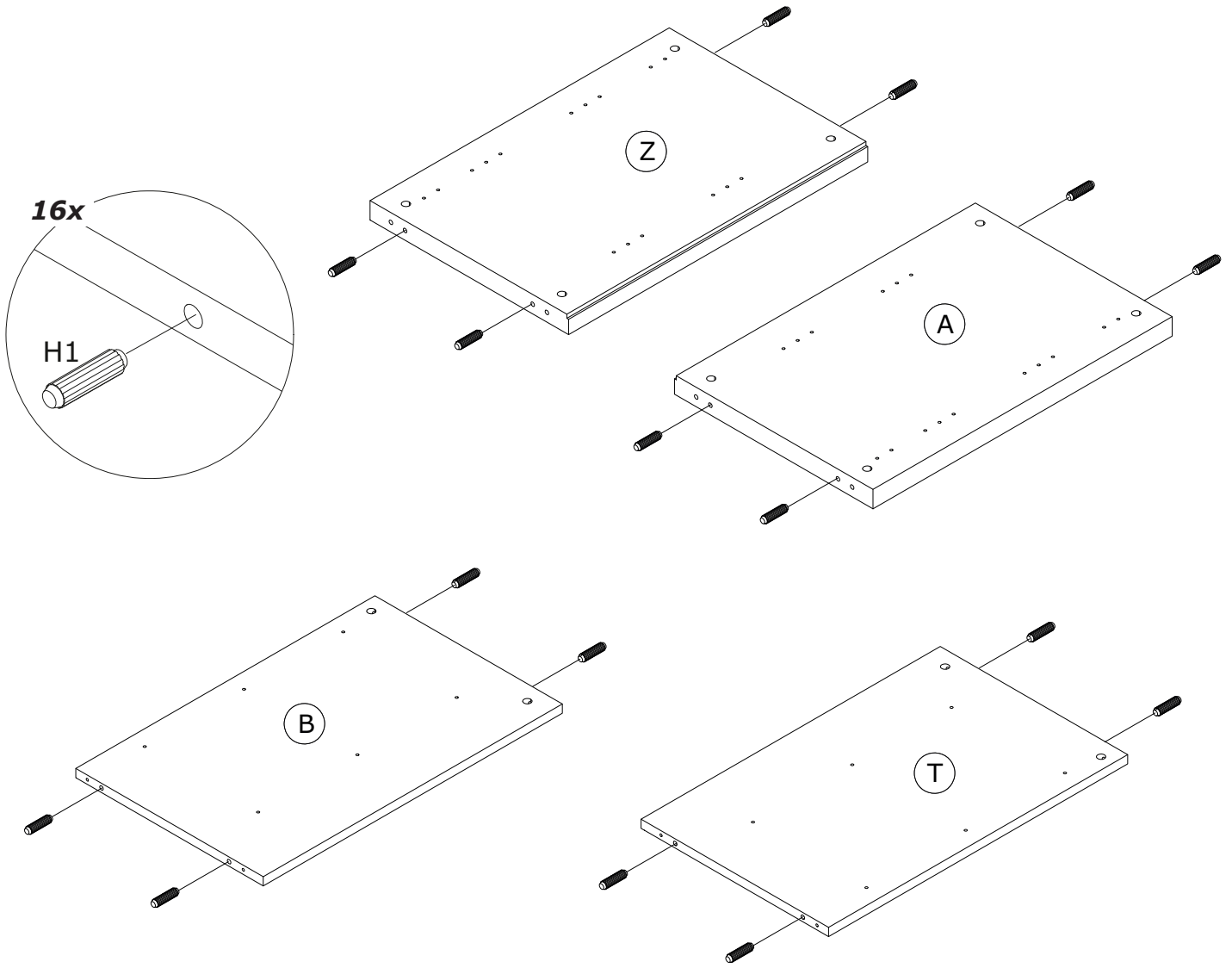
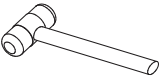
2

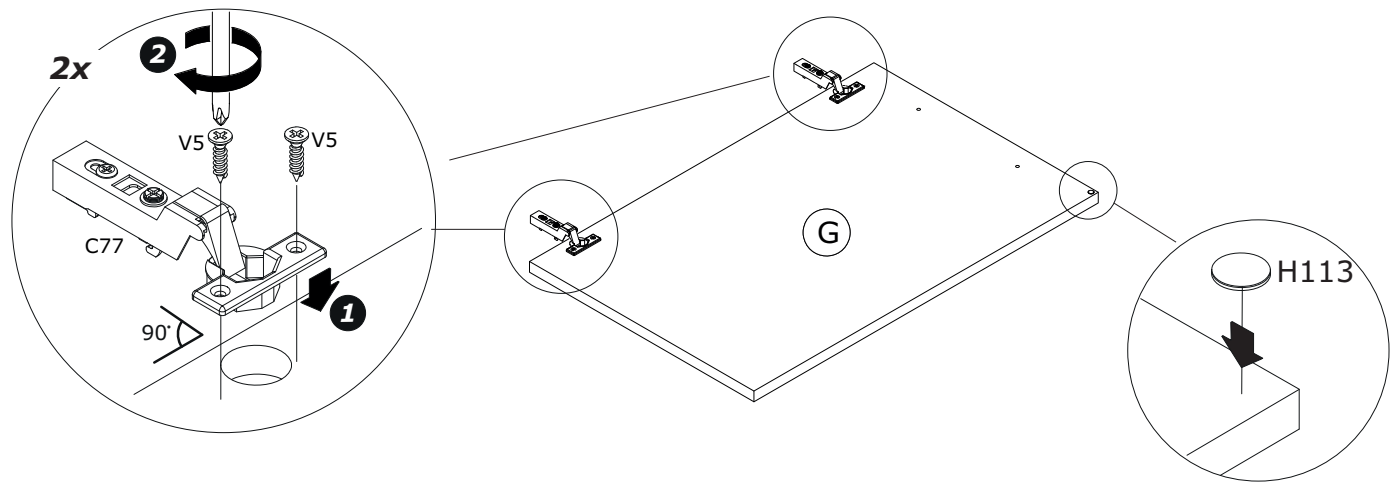
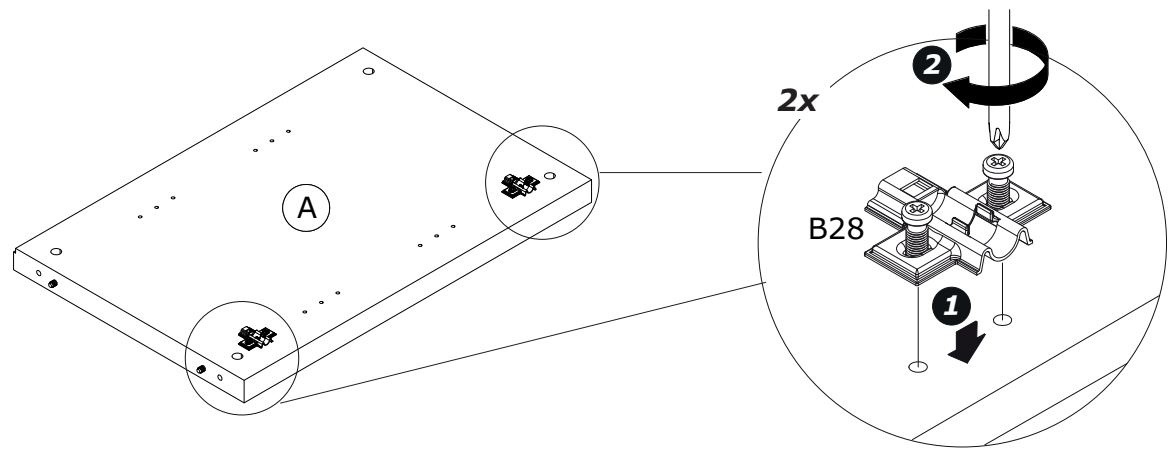
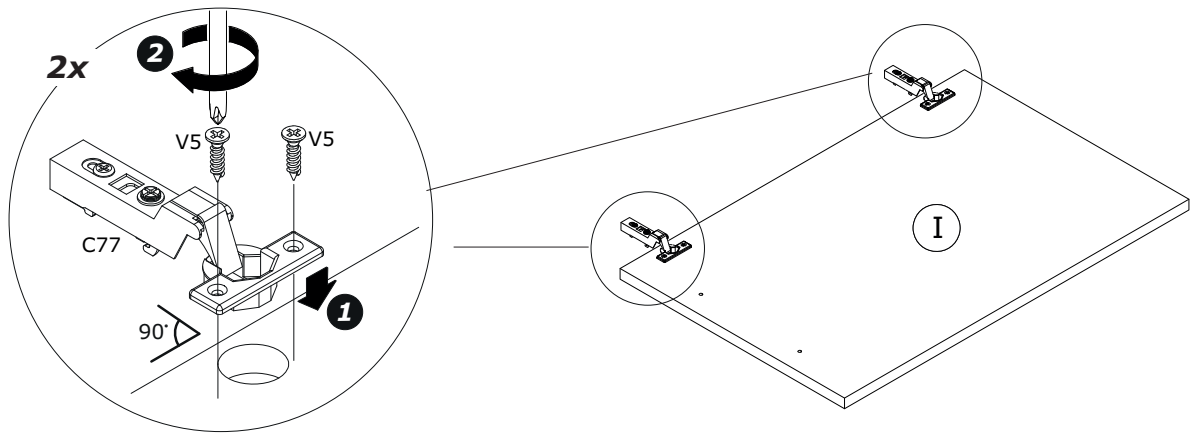
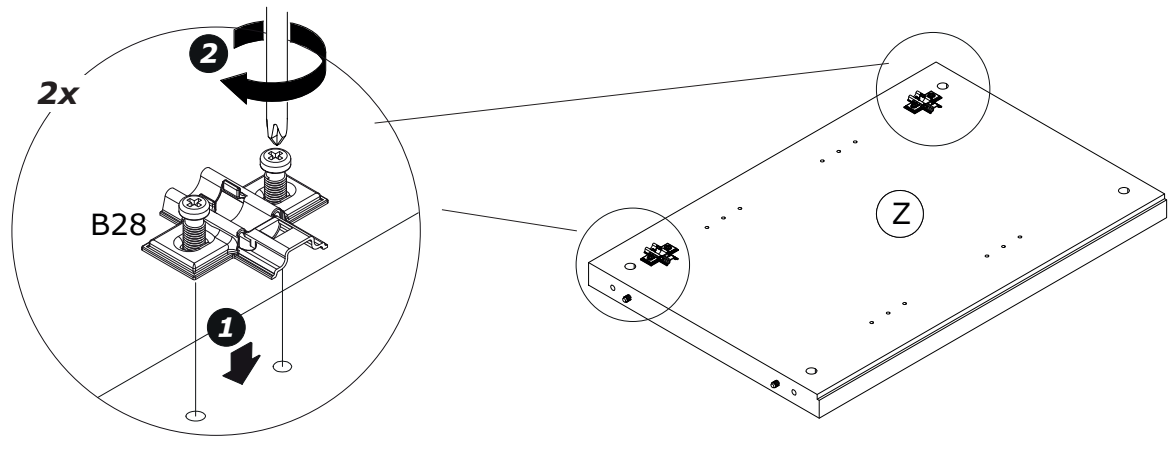
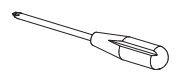


3

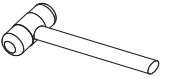


4

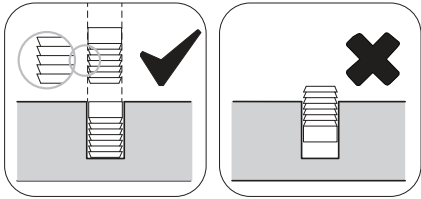
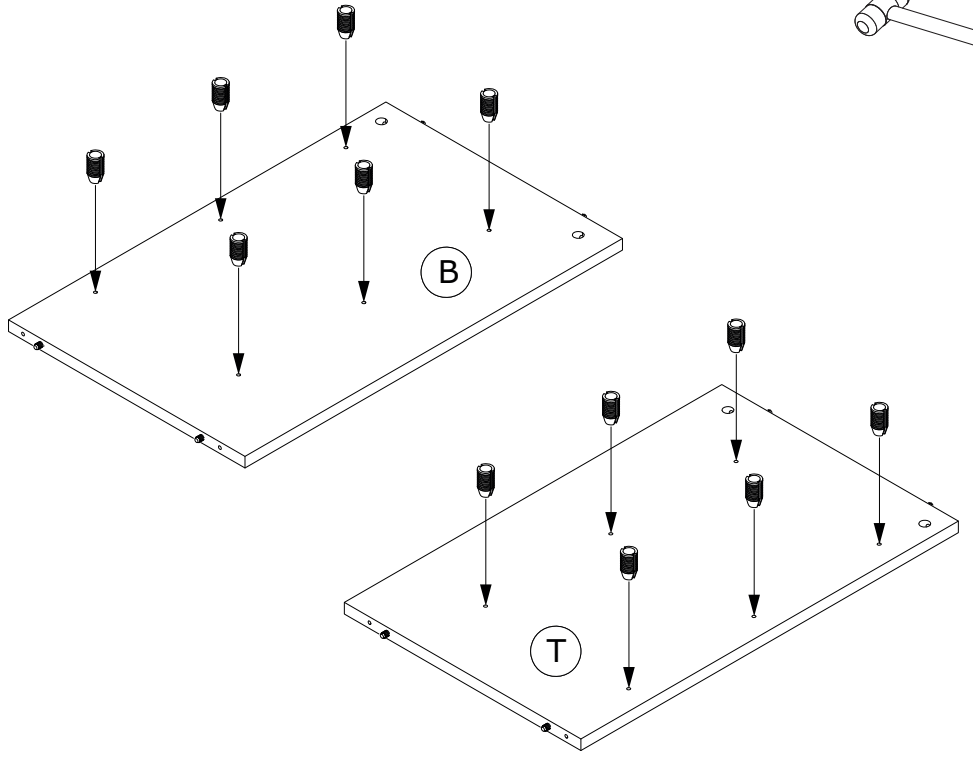
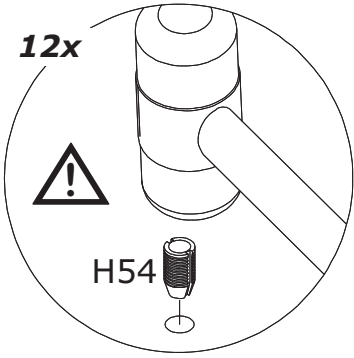




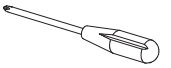
6



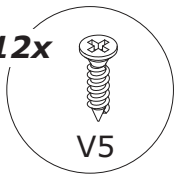
12x



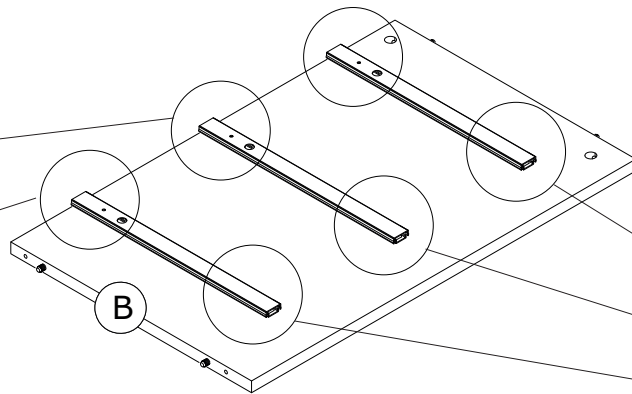
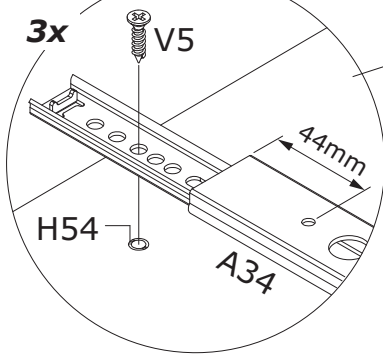
7



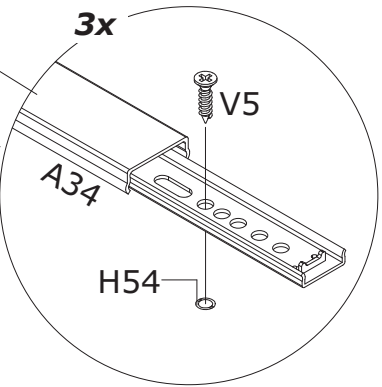
12x



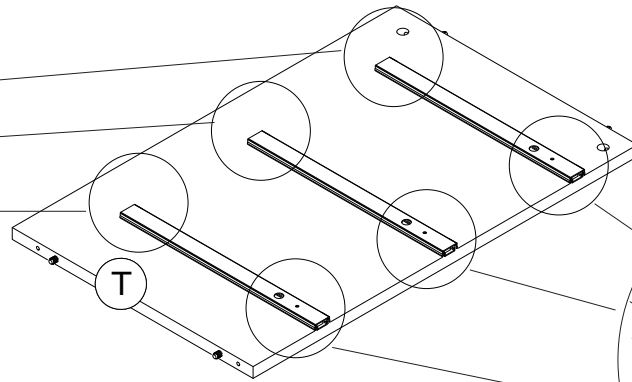
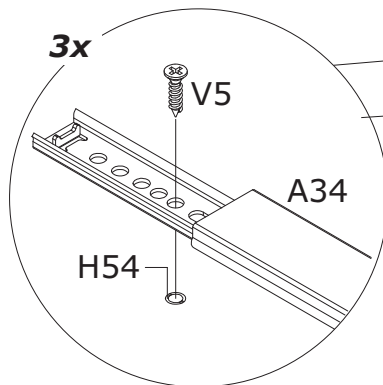
3x



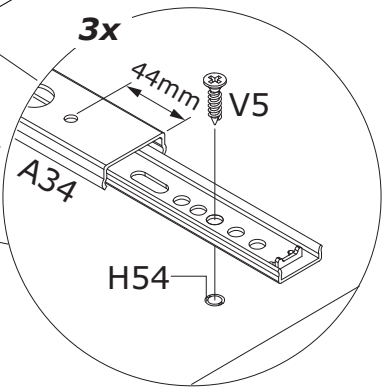
3x



3x



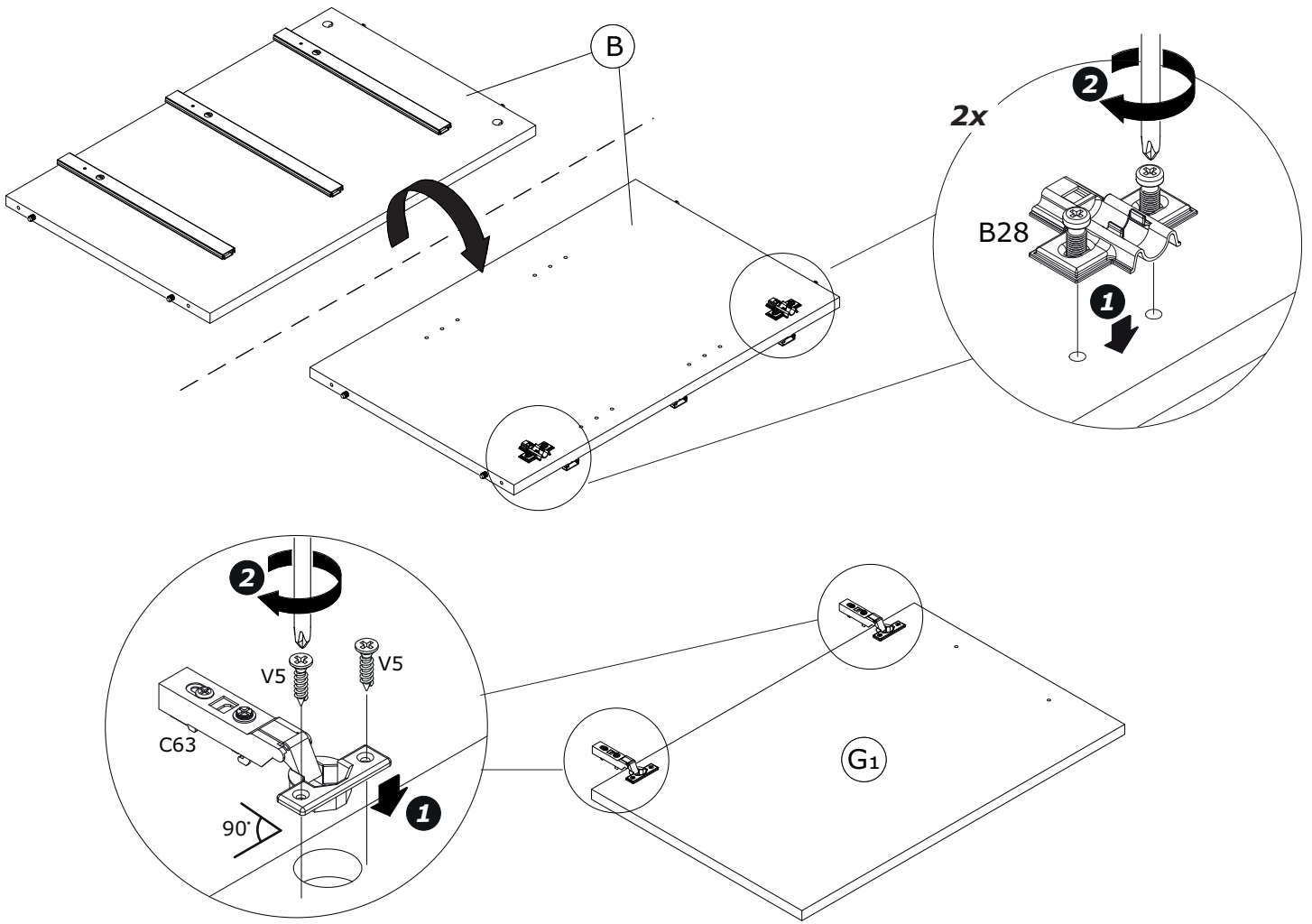
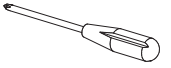
3x



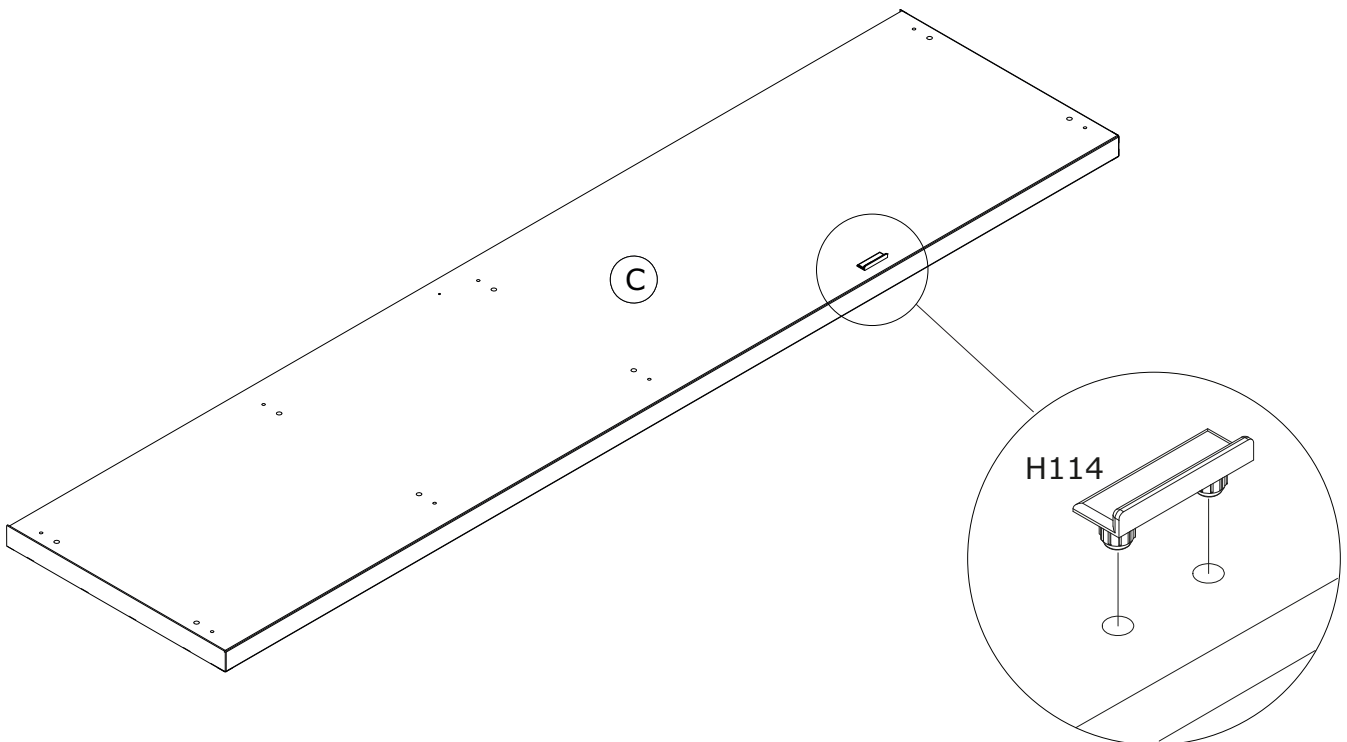
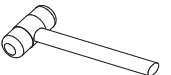
8



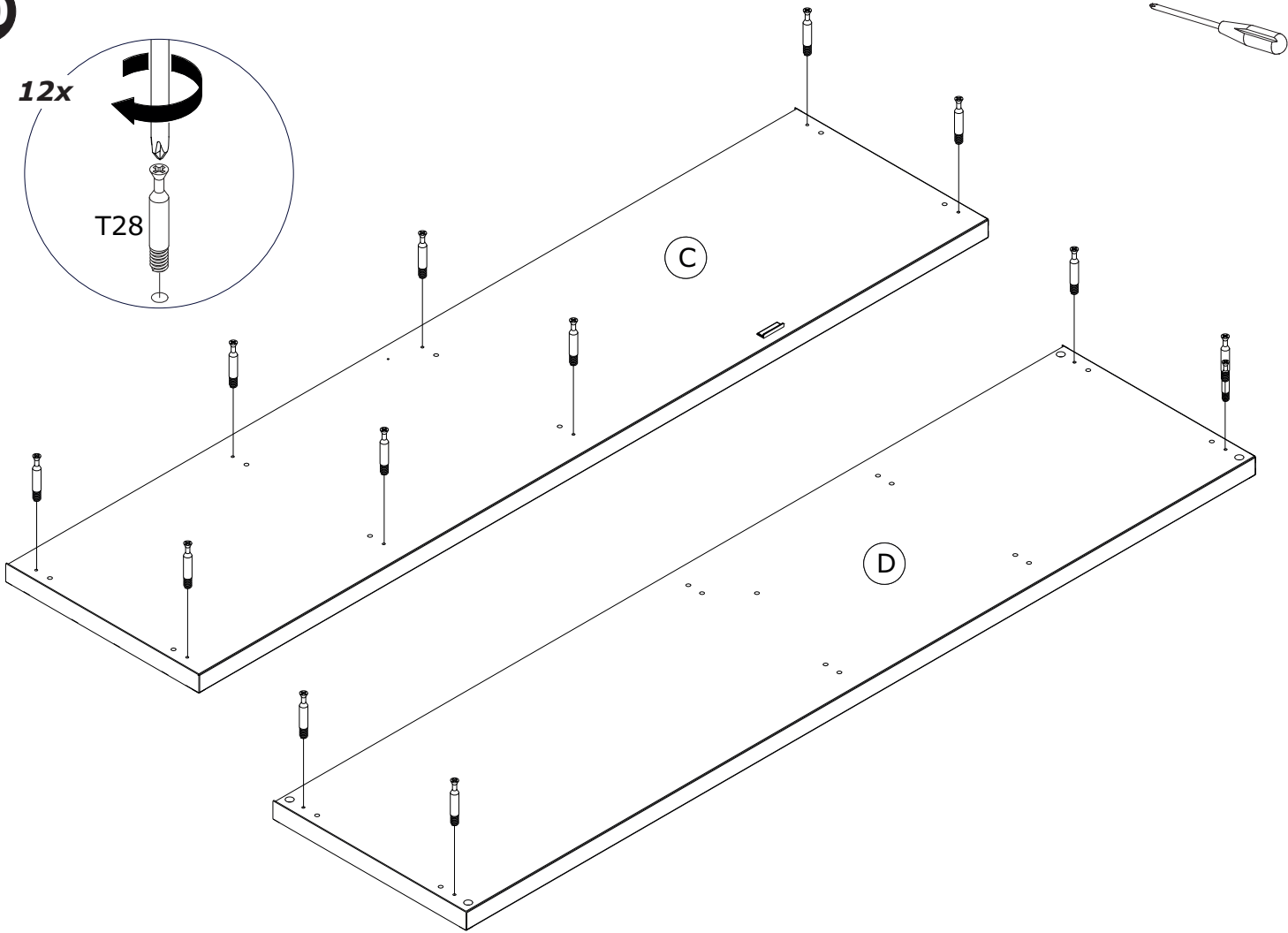
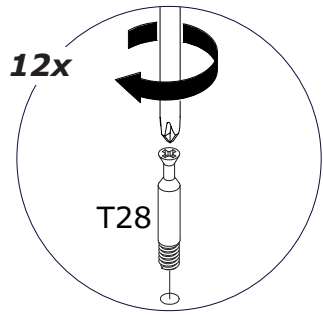
BU2166



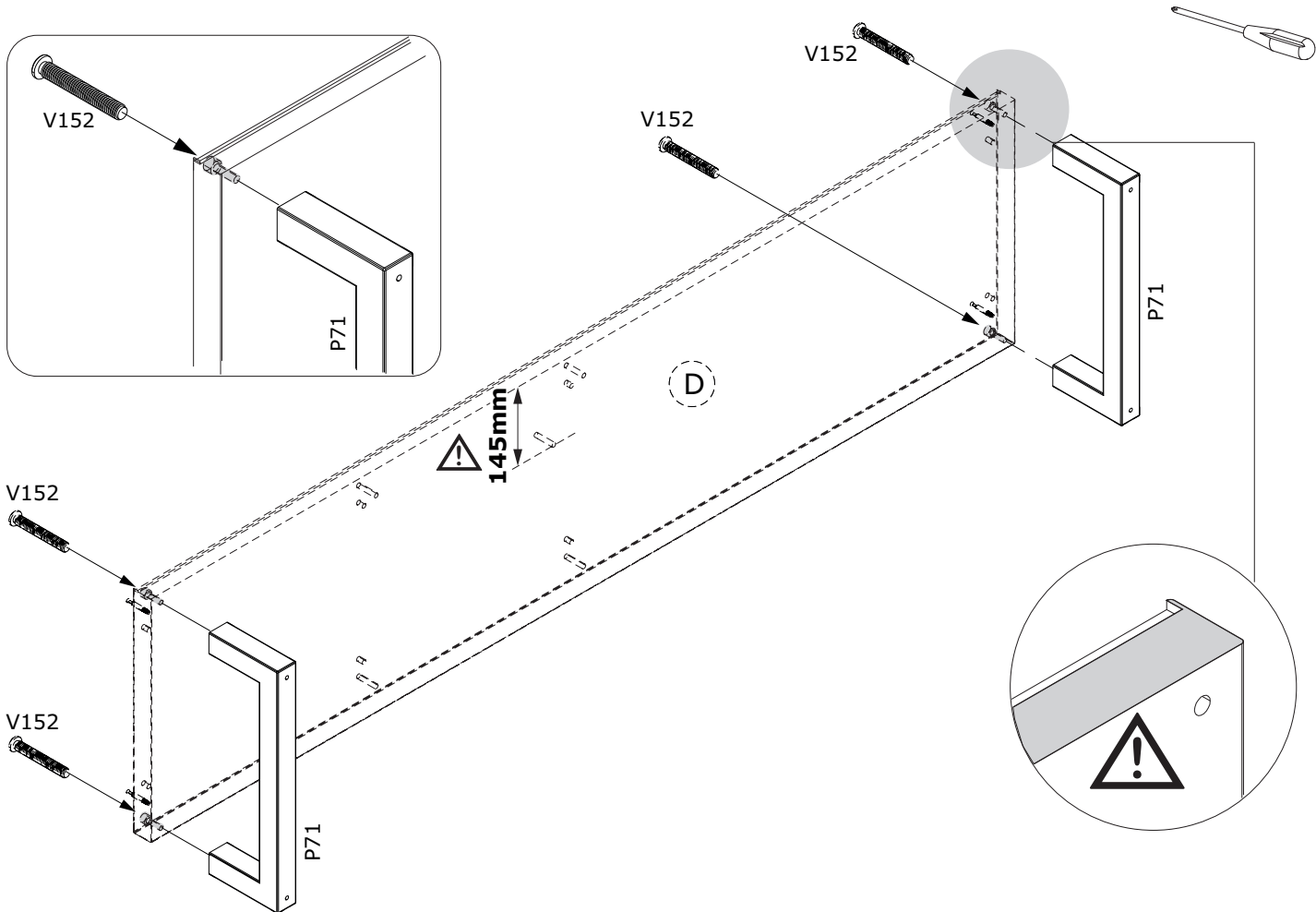
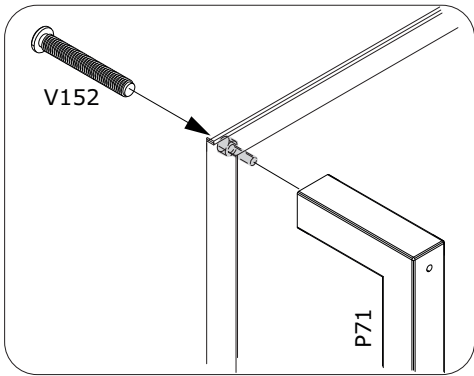
9



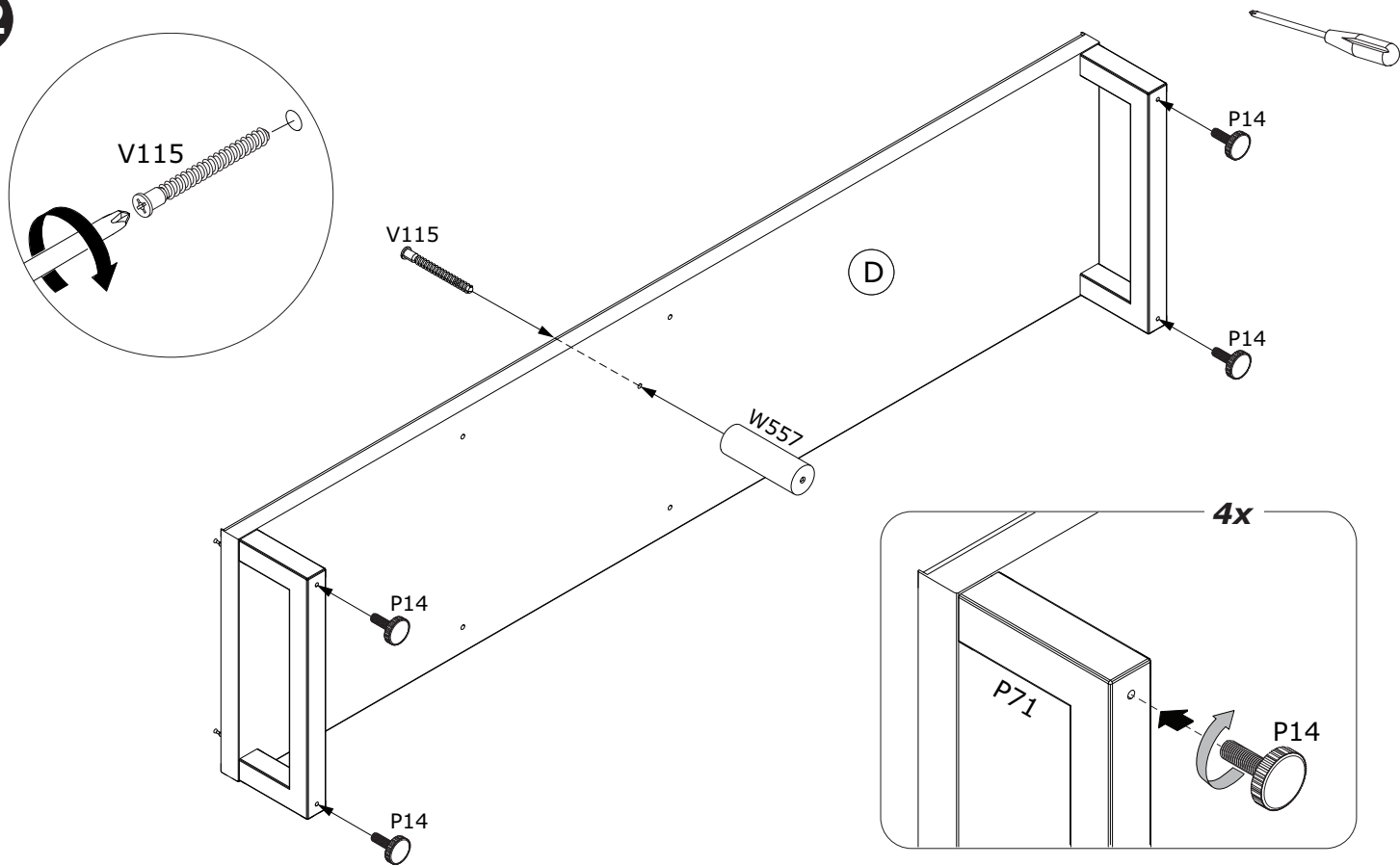
10



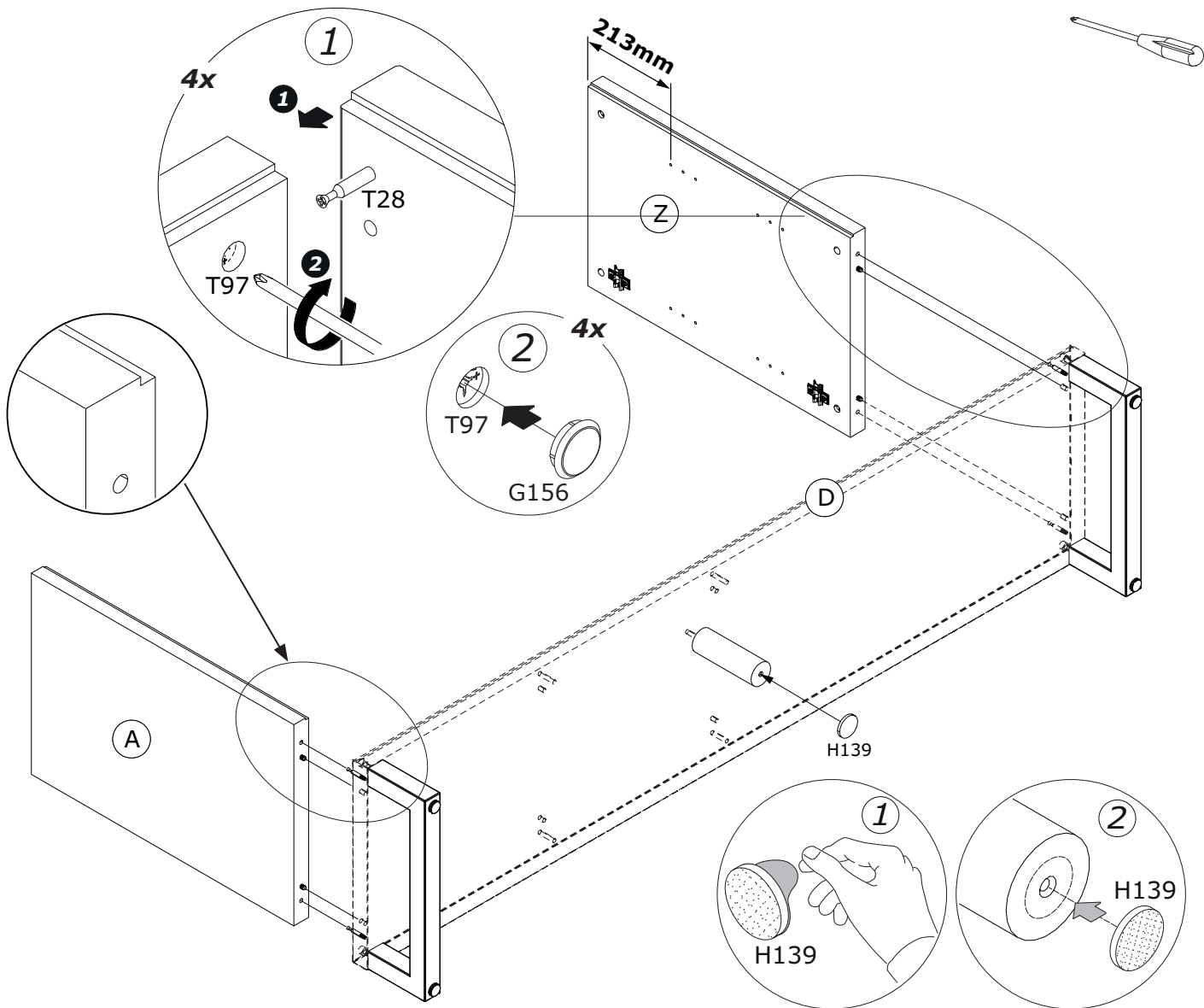
11



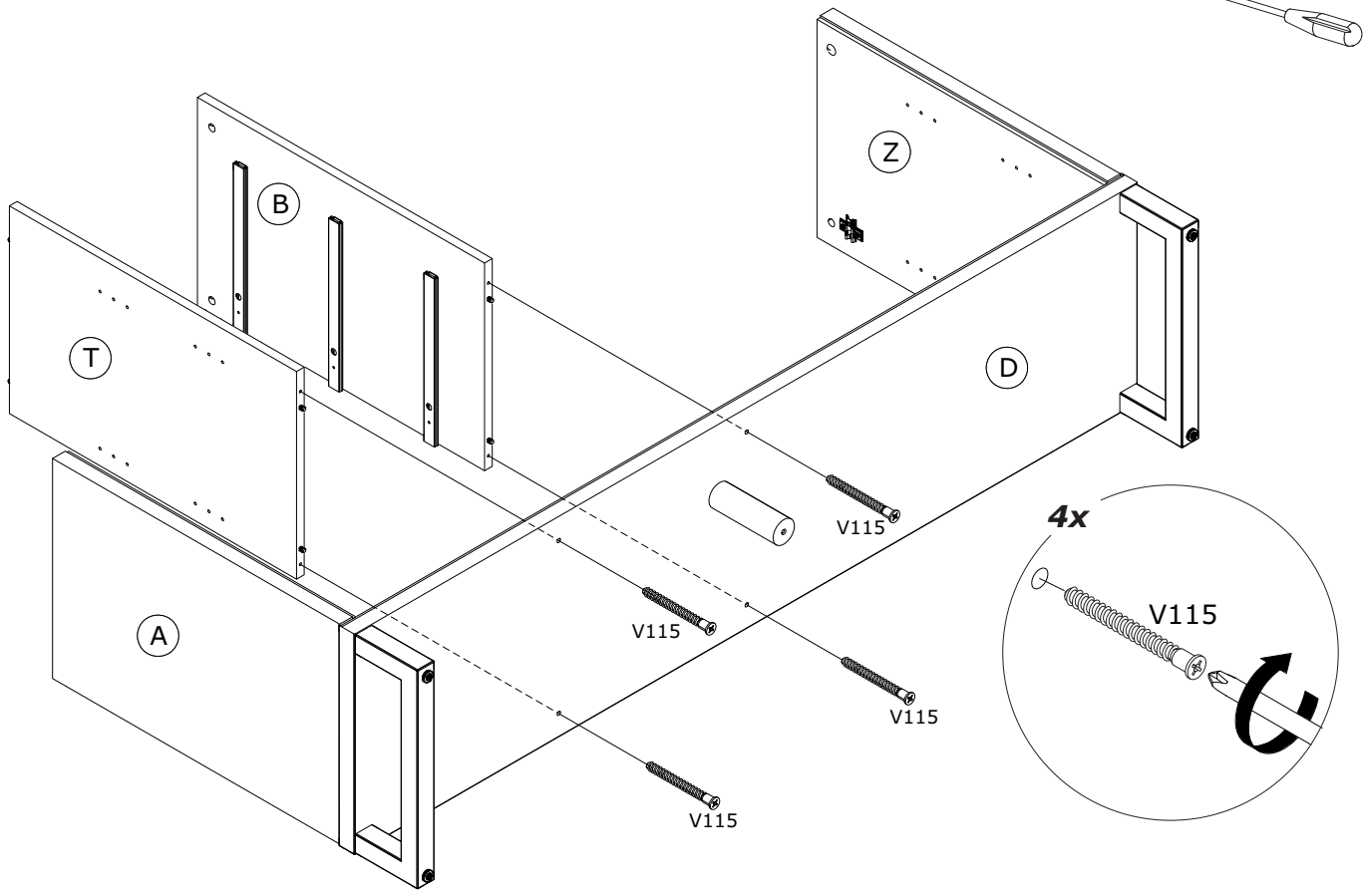
12



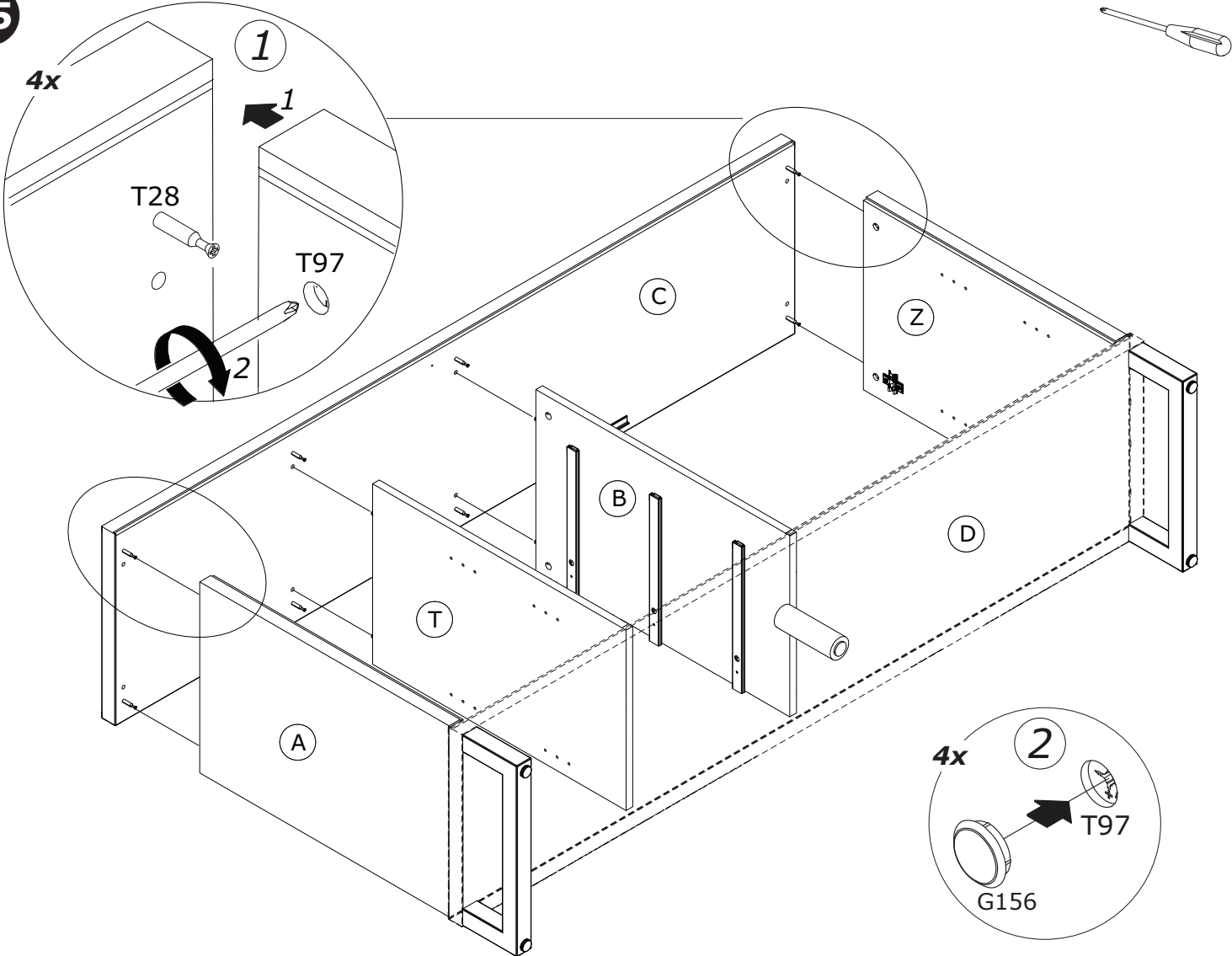
13

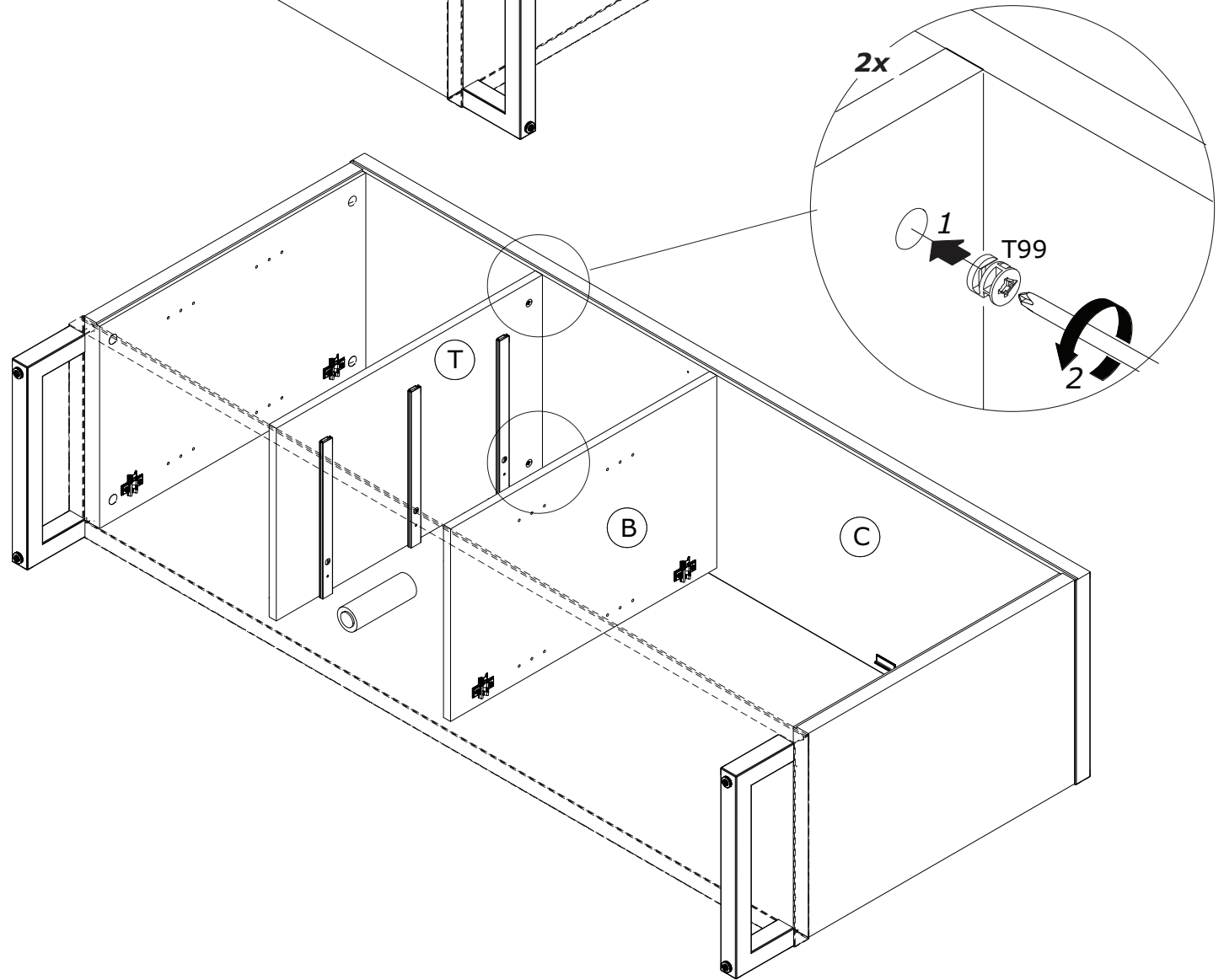
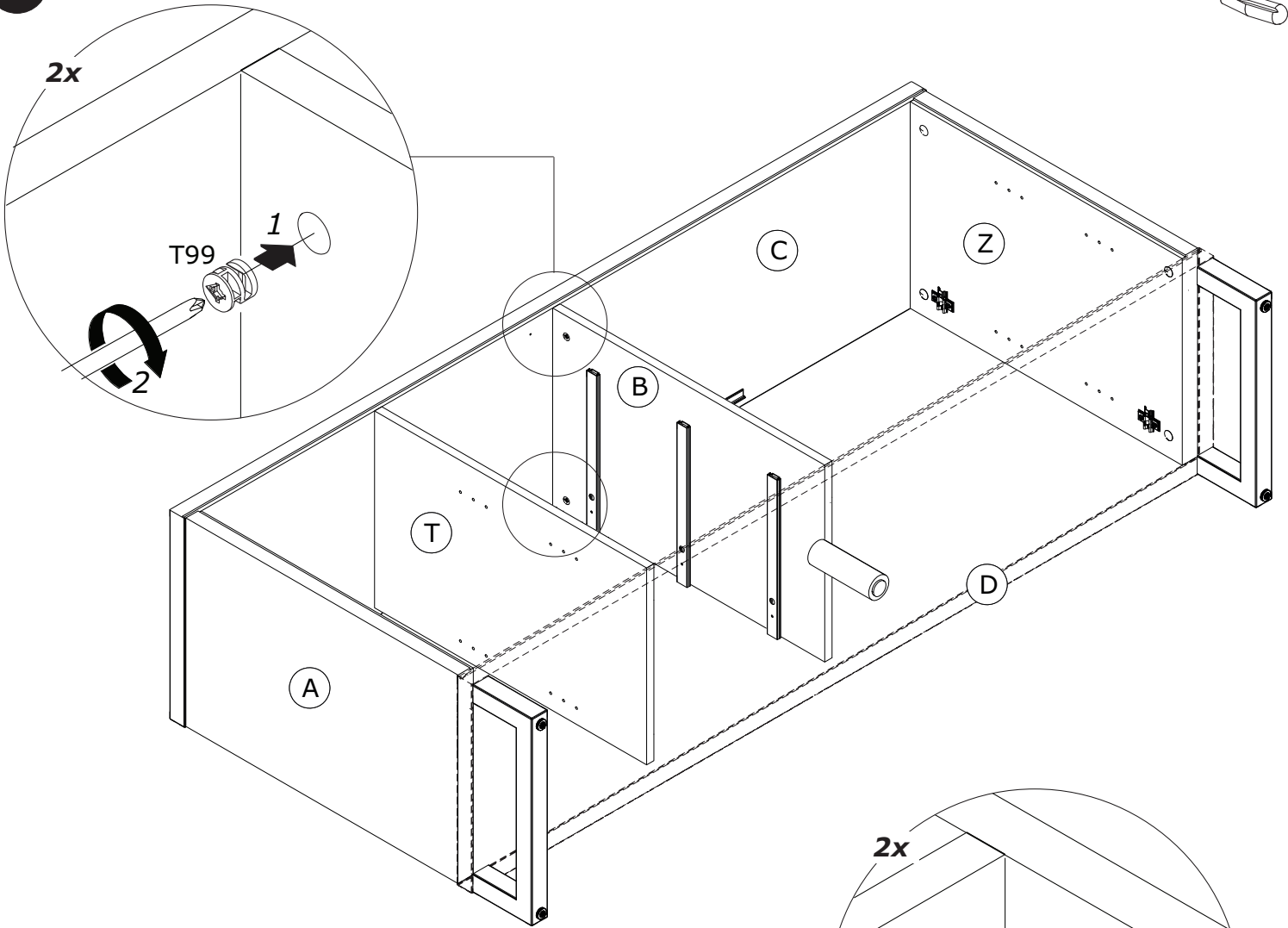
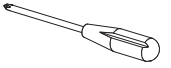


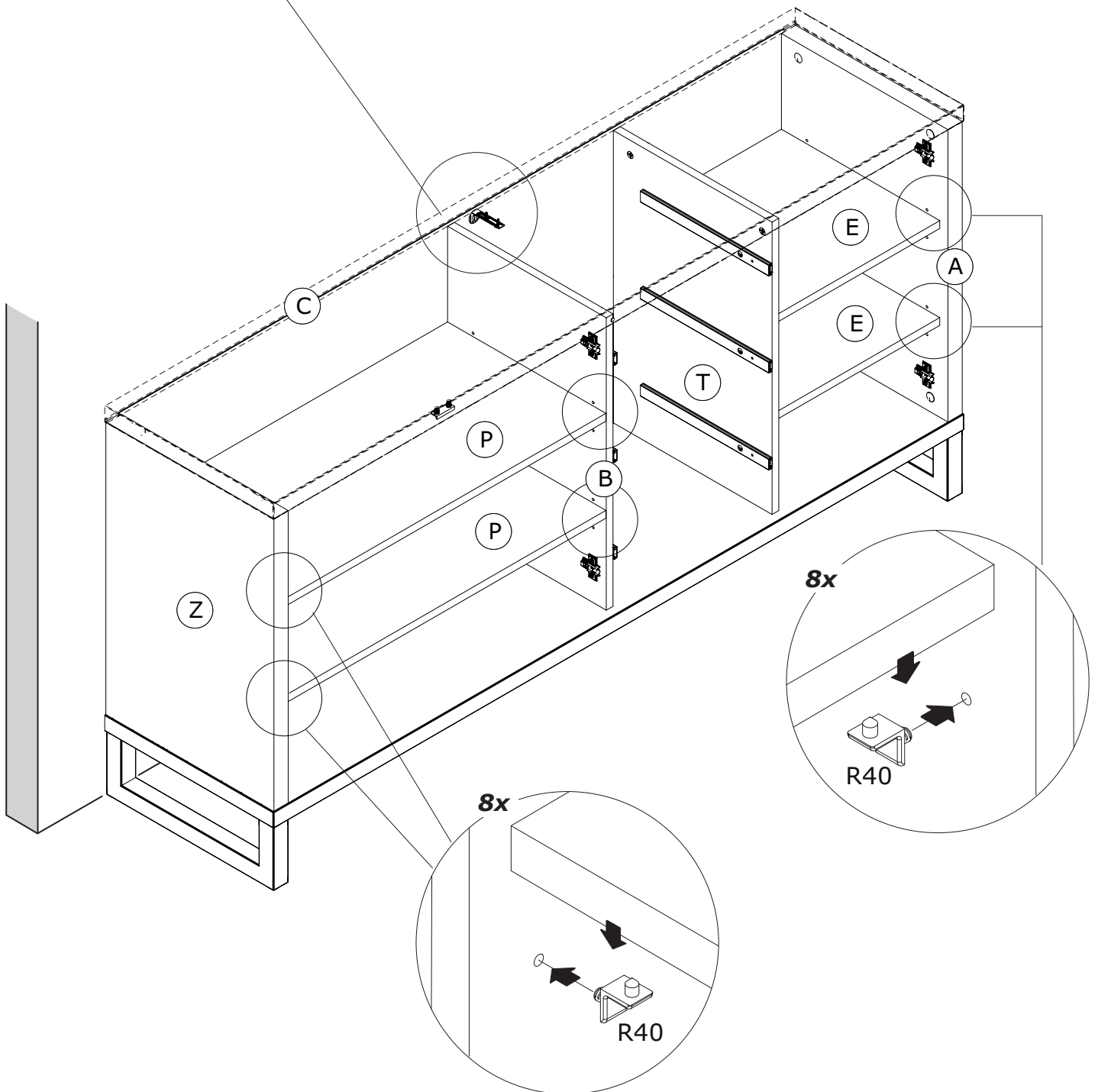
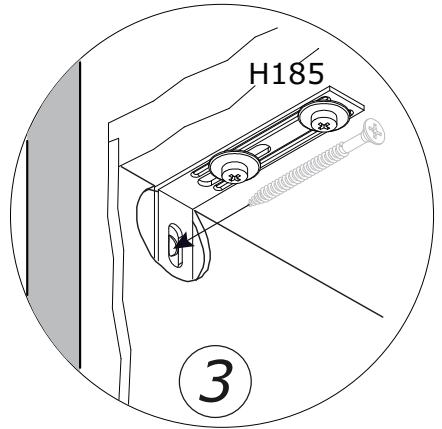
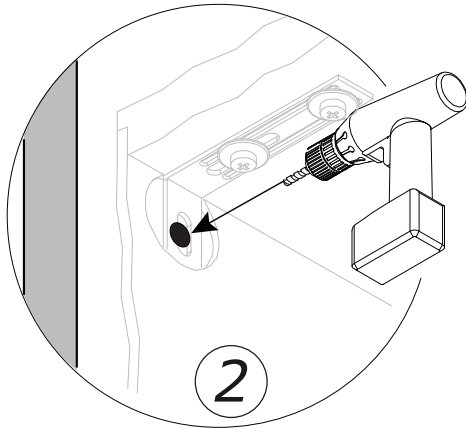
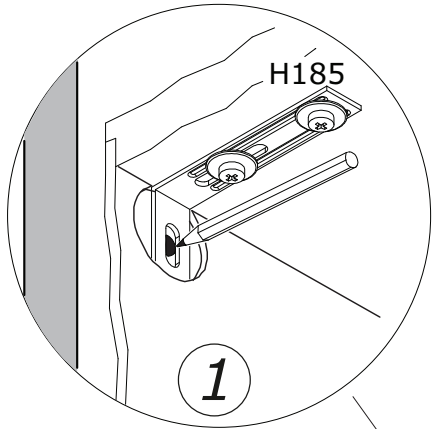
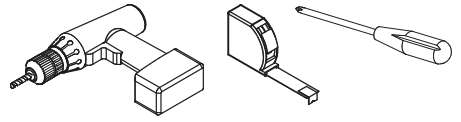
14

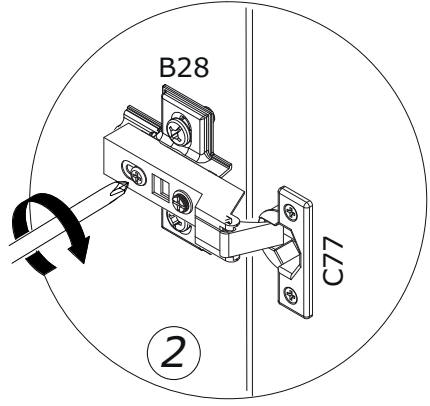
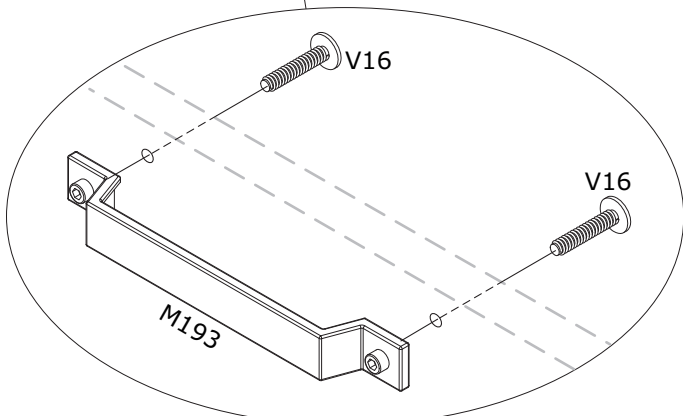
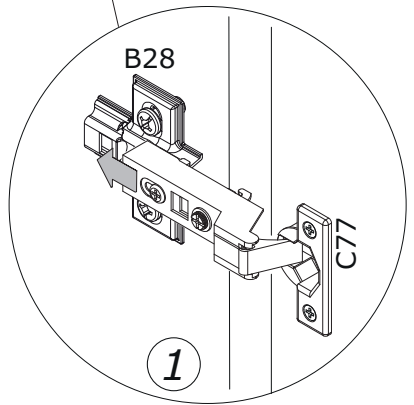
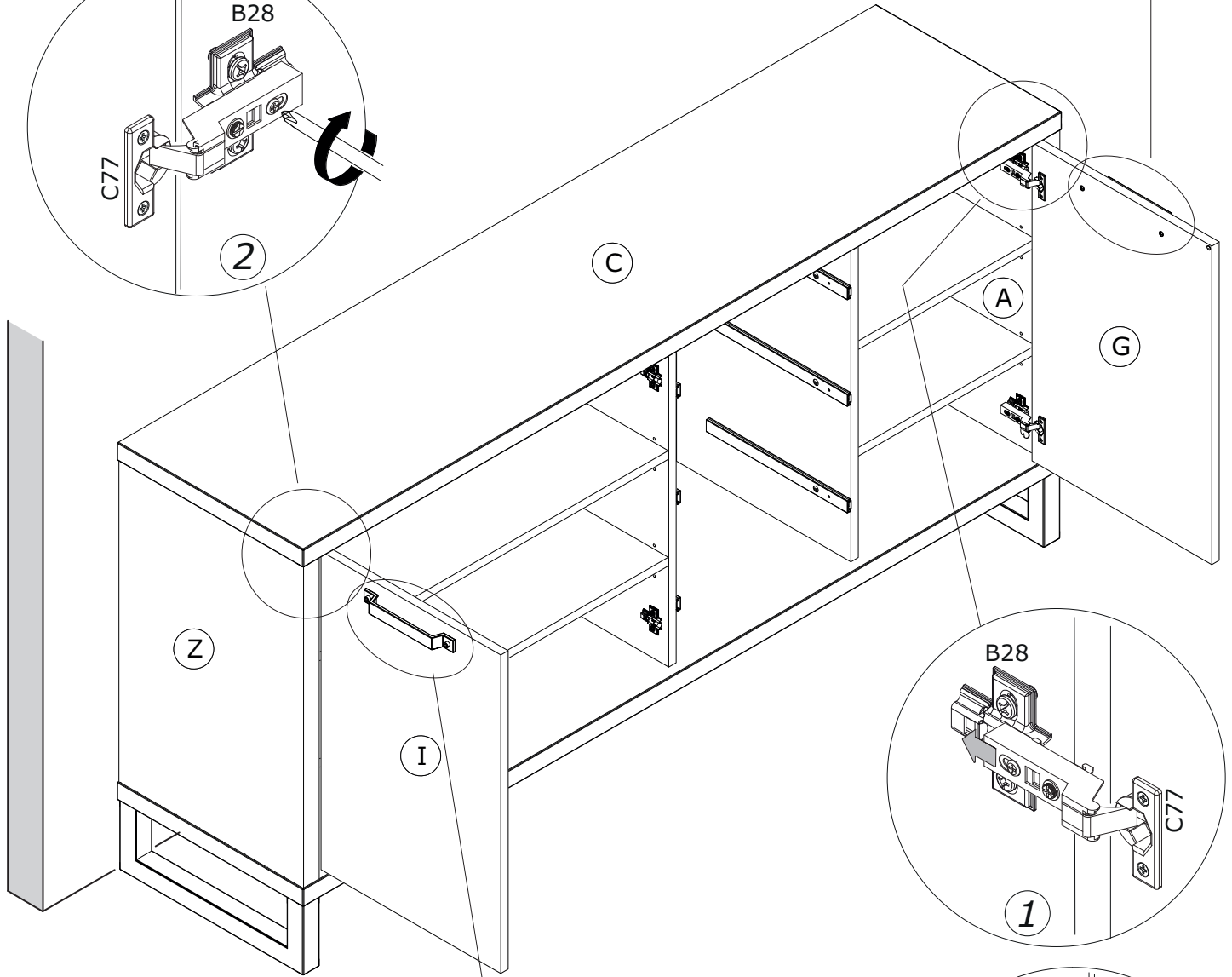
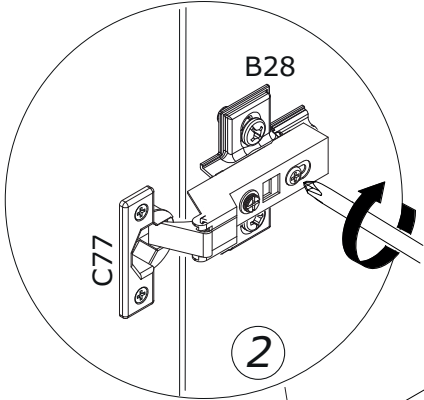
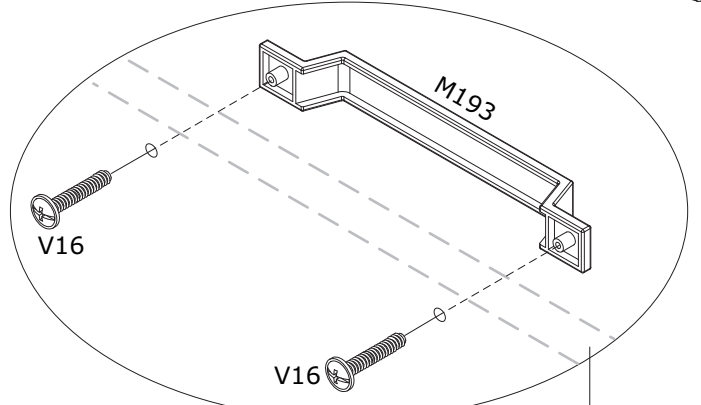
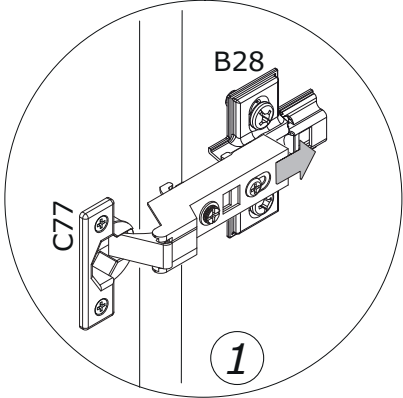
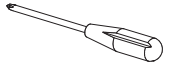


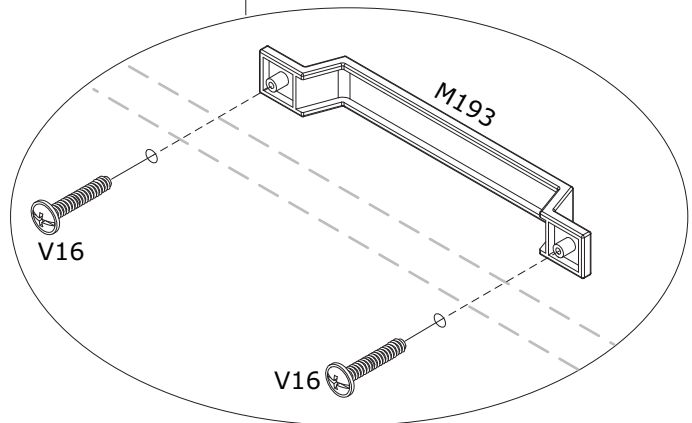
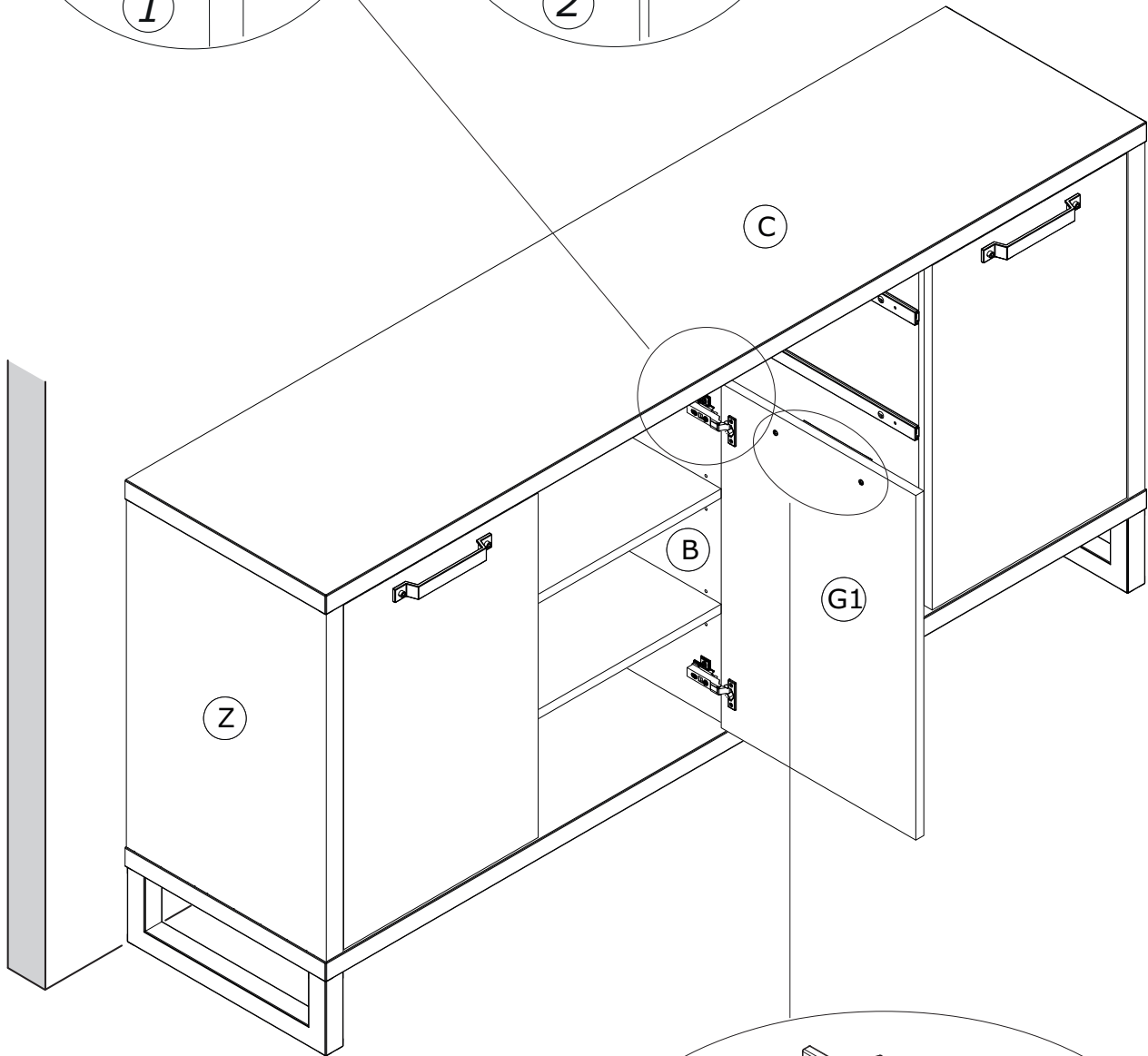
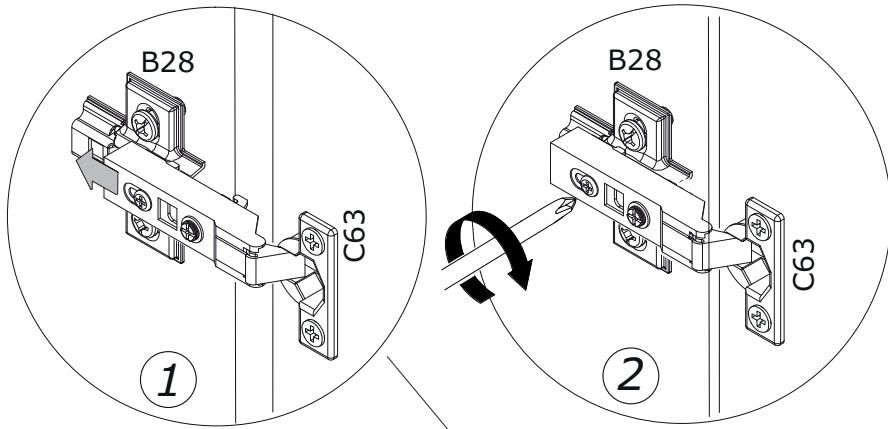
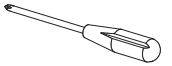
15



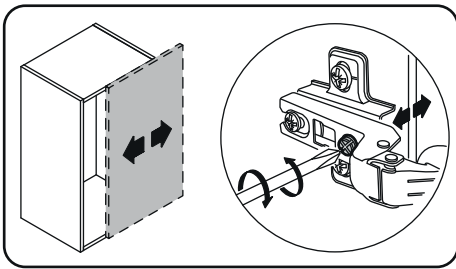
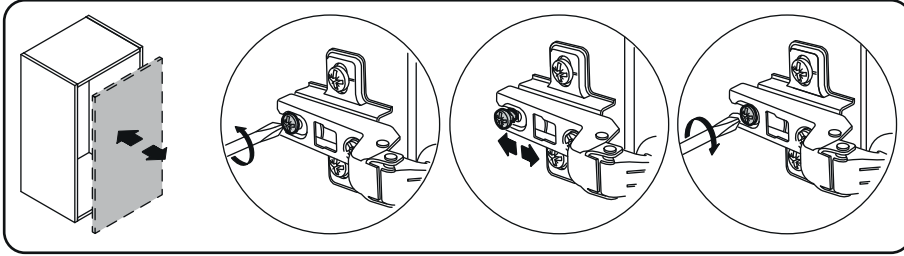
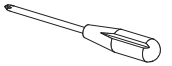
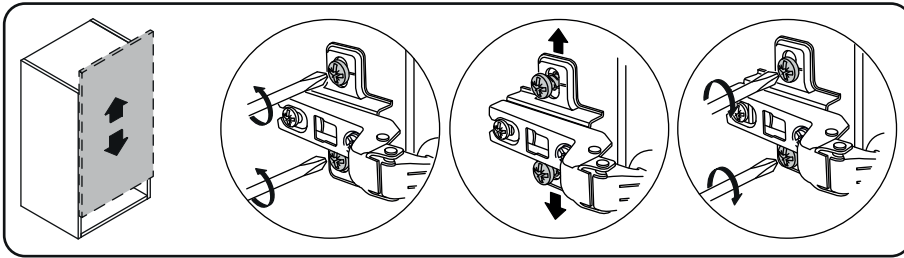








22



23

6x



V38

