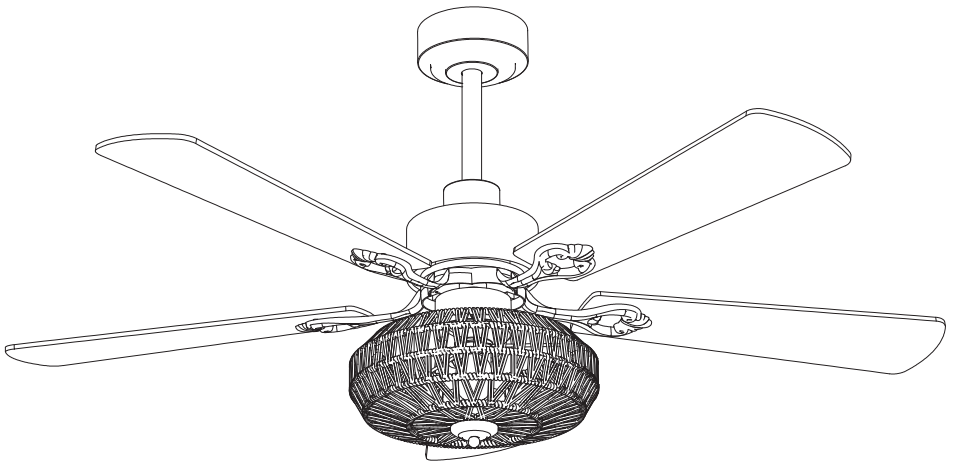


Manual Book

Ceiling Fan With Lights

Model No.: FS5267-01



Scan for Installation Video



APP Control Applicable

Safety Rules

1. Be sure the power to the wires you are working on is disconnected, either the fuse is removed or the circuit breaker is turned off. Turning the power off using the light switch is not sufficient to prevent electrical shock.
2. A qualified licensed electrician is required for the installation.
3. The outlet box and support structure must be securely mounted and capable of reliably /supporting a minimum of 70 pounds. Use only UL (cUL for Canadian Installation) listed mounting boxes marked "FOR FAN SUPPORT".
4. The fan must be mounted with a minimum of 7 feet clearance from the trailing edge of the blades to the floor.
5. Do not operate reversing switch while fan blades are in motion (if applicable). The fan must be turned off and the blades stopped before reversing the blade direction.
6. Do not place any objects in the path of the blades.
7. To avoid personal injury or damage to the fan and other items, be cautious when working around or cleaning the fan.
8. Do not use water or detergents when cleaning the fan or fan blades. A dry dust cloth or lightly dampened soft cloth will be suitable for the cleaning.
9. After marking electrical connections, spliced conductors should be turned upward and pushed carefully up into the outlet box. The wires should be spread apart with the grounded conductor on one side of the outlet box.
10. Electrical diagrams are reference only, different fan lights may have different light shades and bulbs.
11. Use only our replacement parts. This equipment has been tested and found to comply with the limits for a class B digital device, pursuant to part 15 of the FCC Rules. These limits are to provide reasonable protection against harmful interference in a residential installation. This equipment generates, uses, and radiate radio frequency energy and if not installed and used in accordance with the instructions may cause harmful interference to radio communications.

Warning:

To reduce the risk of personal injury, use only the two steel screws and washers provided with the outlet box for mounting to the outlet box. Most outlet boxes commonly used for the support of lighting fixtures are not acceptable for fan support and need to be replaced, consult a qualified electrician if in doubt.

To reduce the risk of fire, electric shock, or personal injury, mount the fan to the outlet box marked "acceptable for fan support".

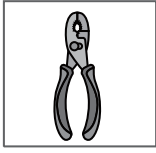
To reduce the risk of personal injury, do not bend the blade brackets (also referred to as flanges) during assembly or after installation. Do not insert objects in the path of the blades.

Installation Preparation

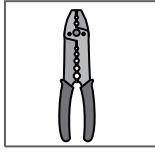
Tools You Need



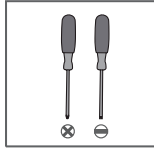
Ladder



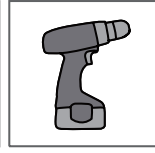
Pliers



Wire Strippers



Screwdrivers



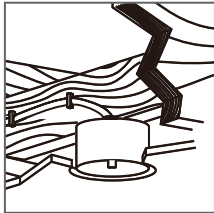
Power Drill (optional)



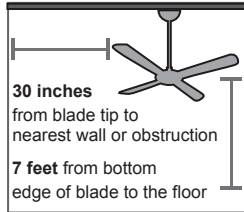
Drill Bit (optional)

If mounting to a support structure, you will also need the optional tools.

What to Expect with Your Installation



Must be able to secure the fan to building structure or fan-rated outlet box



Assess location



Check the box to see the weight of the fan


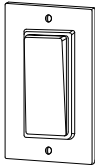

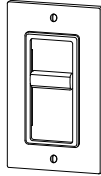
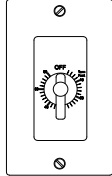
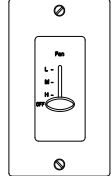
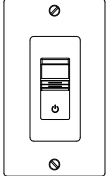


Not applicable for angled ceiling

Switch Selection

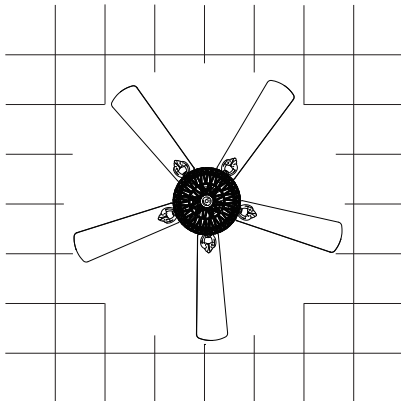
Note: Using a dimmer switch to control the fan may damage the fan. To reduce the risk of fire or electrical shock, do not use a dimmer switch to control the fan.

The recommended switches are as follows:

 <p>Recommended:</p>	 <p>Single Pole Switch (Not Included)</p>
 <p>Not Recommended:</p>	 <p>Dimmer Switch</p>  <p>Timer Switch</p>  <p>Fan Speed Control Switch</p>  <p>Motion Sensor Switch</p>

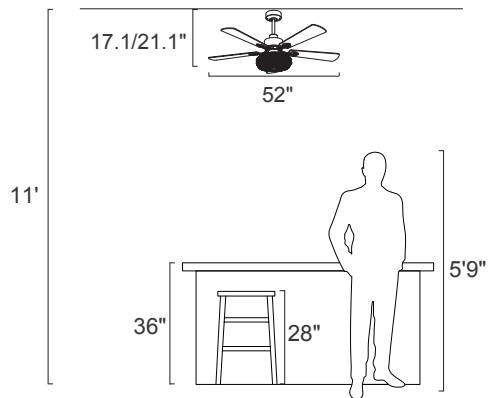
Installation Recommended

Room Size:



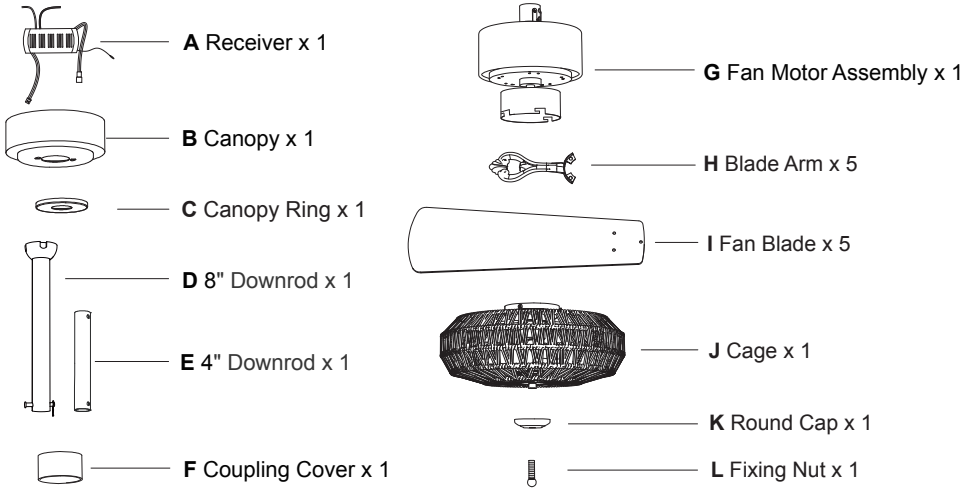
UP TO 12 ft x 14 ft

Room Height:







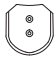





Recommended ceiling height: 8 to 12 ft

Packing List



Installation Kit

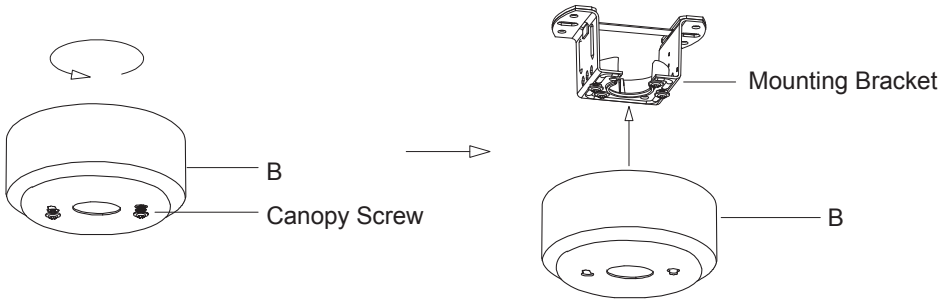
AA	×3	BB	×2	CC	×4	DD	×4	EE	×2
									
Wire Nut		Outlet Box Screw		Wood Screw		Washer		Anchor	
FF	×15	GG	×1	HH	×1	II	×2	JJ	×1
									
Blade Screw & Red Washer		Remote Holder		Remote Control		Remote Holder Anchor & Screw		Gloves	

NOTE: The listed quantity is for installation, extra hardware may be included.

Installation Instructions

1. Remove the Mounting Bracket

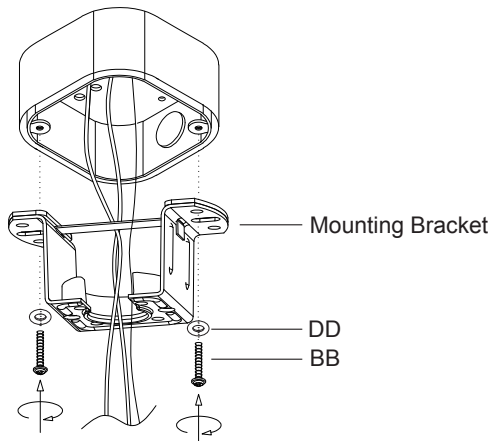
Loosen the canopy screws on the mounting bracket, but do not remove them. Then rotate the canopy (B) to remove the mounting bracket.



2. Mount the Bracket (3 Options)

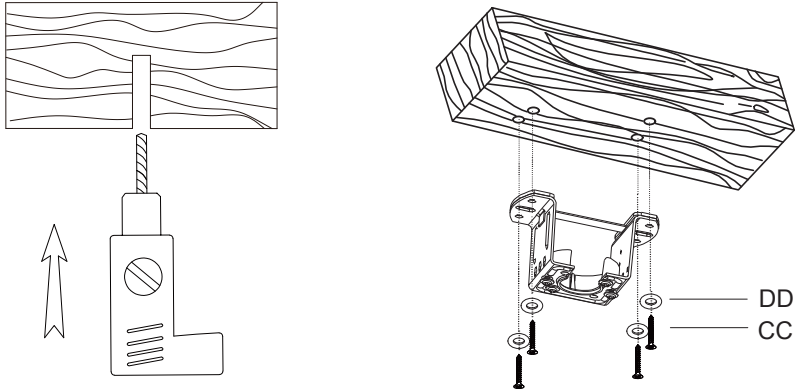
Option1. (For Outlet Box)

Secure the mounting bracket to the outlet box with screws taken off from outlet box or screws (BB) and washers (DD) provided.



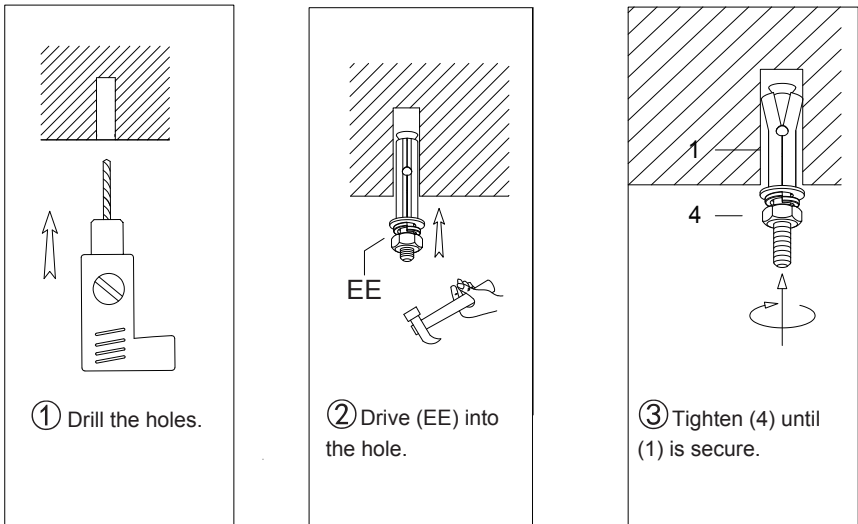
Option 2. (For Solid Wood Structure)

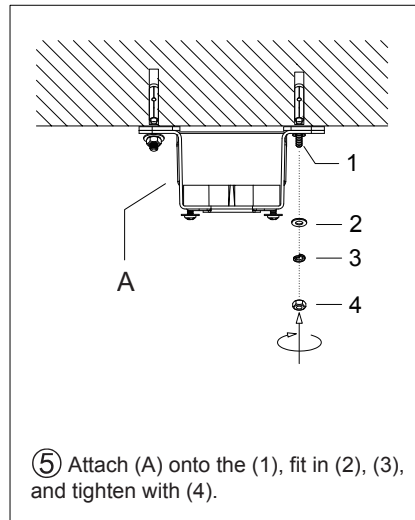
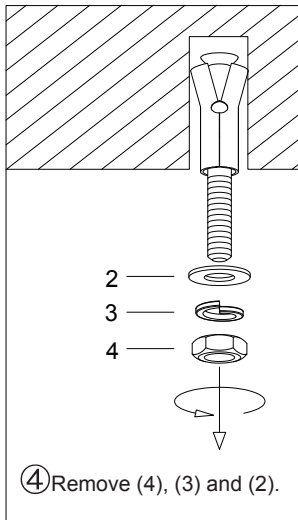
Mark and drill the screw holes on the solid wood structure. Mount the mounting bracket with wood screws (CC) and washers (DD).



Option 3. (For Concrete Structure)

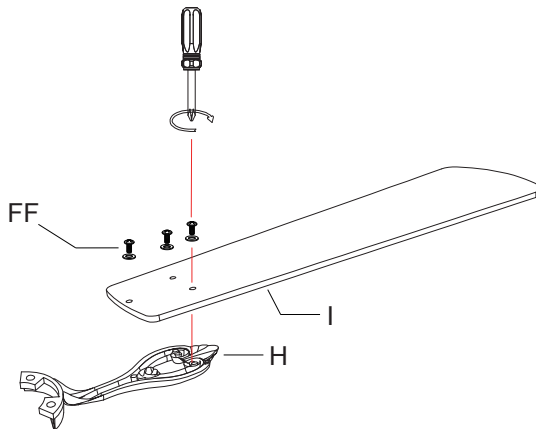
Mount the mounting bracket to the cement structure with anchor bolt (EE).



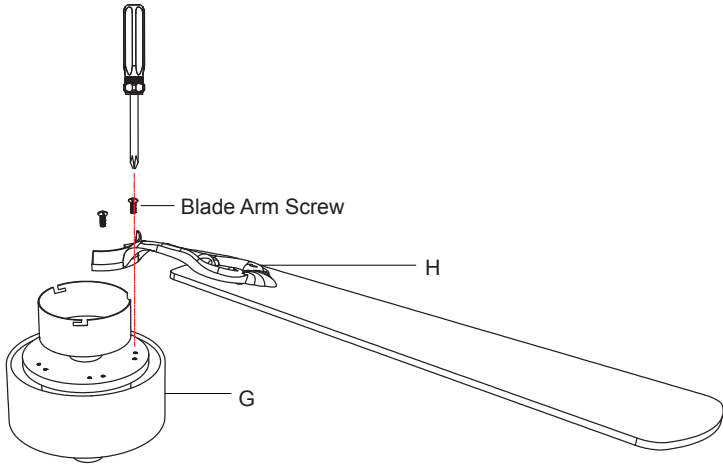


3. Assemble the Fan

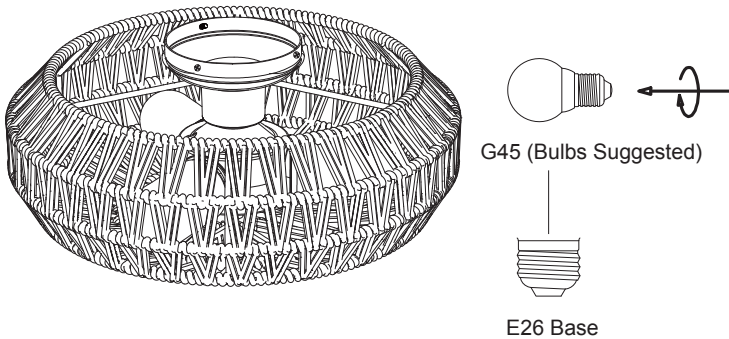
Step 1. Align the round holes of the fan blade (I) and blade arm (H), and secure them with fan blade screws and washers (FF).



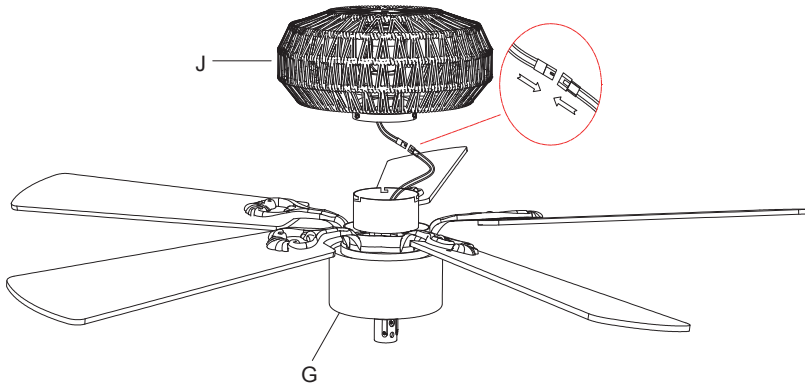
Step 2. Loosen the blade arm screw on the fan motor assembly (G), then retighten it to secure the blade arm (H).



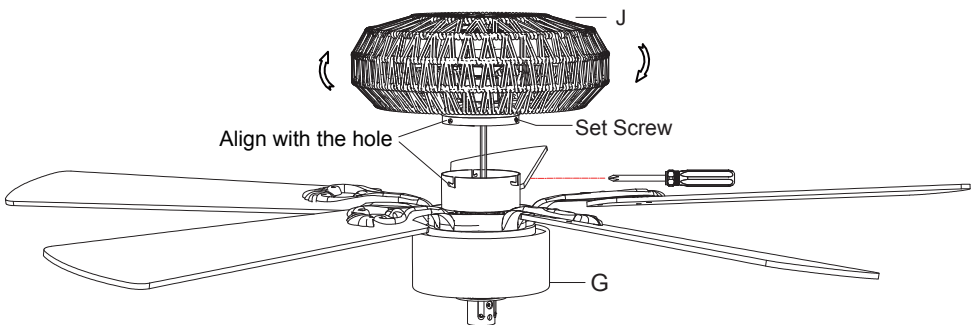
Step 3. Install the light bulbs. (E26 x 3, max 60W each, not included)



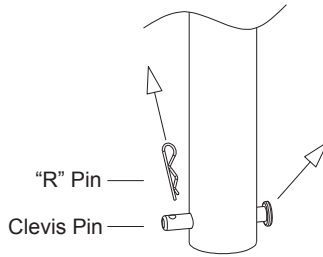
Step 4. Connect the light wire terminal of the fan motor assembly (G) with the interface on the cage (J).



Step 5. Loosen the set screws of the cage (J) but do not remove them.
Step 6. Align the "L" slots from the fan motor assembly (G) to the set screws on the cage (J), and rotate the cage to lock it onto the fan motor assembly (G).
Step 7. Tighten the set screws to secure the cage.



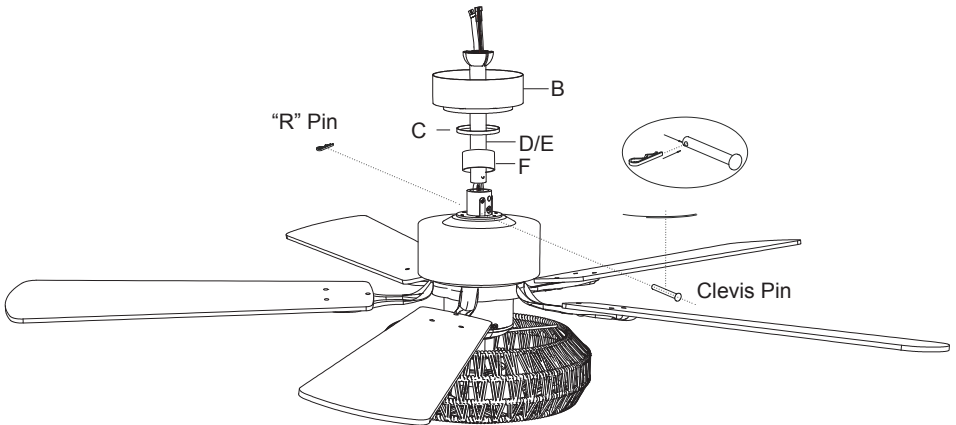
Step 8. Remove the "R" pin and clevis pin from the 8-inch downrod (D).



Step 9. Pass the downrod (D/E) through the canopy (B), canopy ring (C) and coupling cover (F).

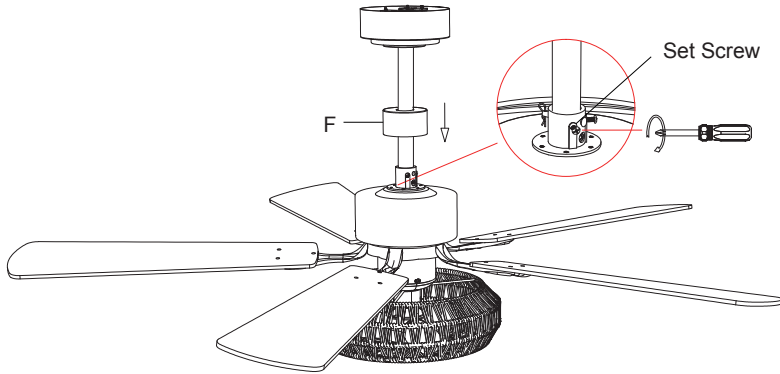
Step 10. Thread the power cord through downrod (D/E).

Step 11. Align the hole at the bottom of the downrod with the hole in the fan motor assembly (G). Carefully insert the clevis pin and "R" pin. (Be careful not to jam the clevis pin against the wires inside the downrod).



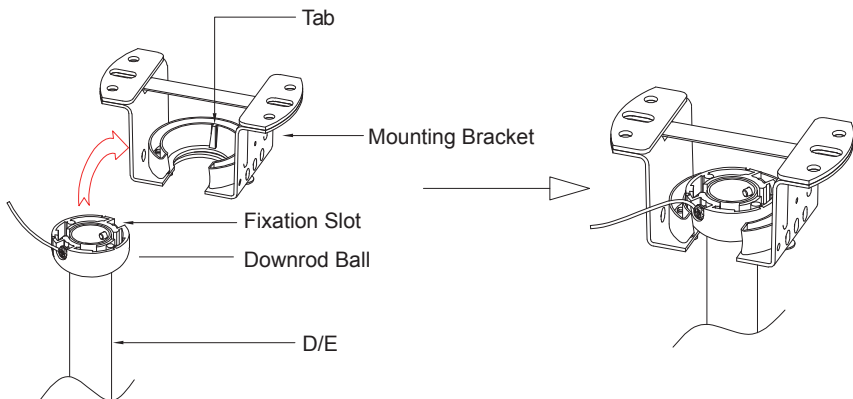
Step 12. Tighten the set screws to secure the downrod.

Step 13. Fit the coupling cover (F) onto the fan motor assembly.



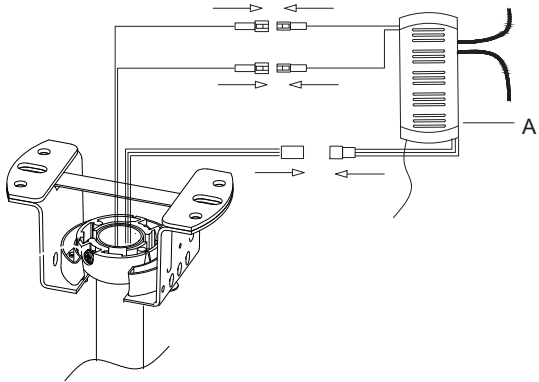
4. Hang the Fan

Lift the downrod into the bracket. Rotate the downrod until the tab in the bracket is seated in the fixation slot in the downrod ball.

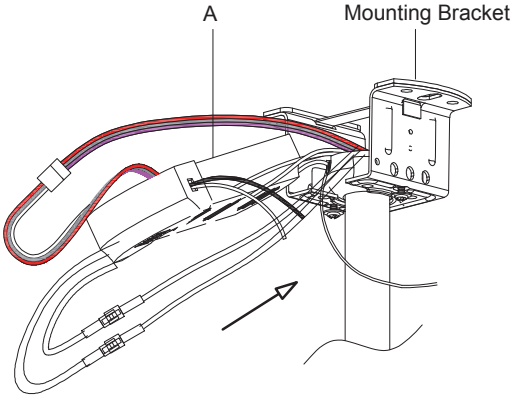


5. Connect the Wires

Step 1. Connect the wires on the fan and the receiver (A).

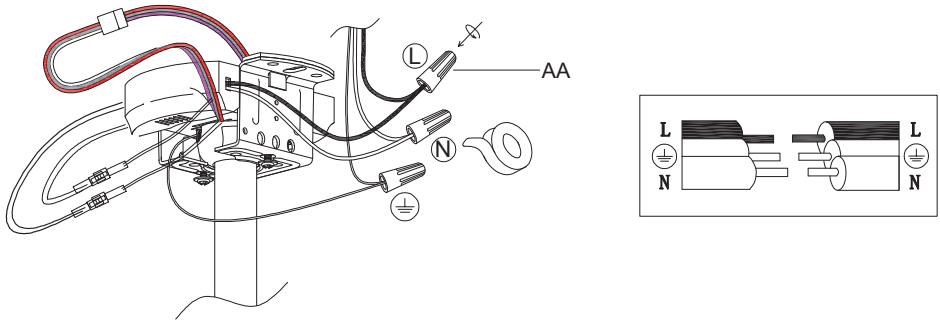


Step 2. Insert the receiver (A) into the gap of bracket.



Step 3. Connect the ground wires from the fixture to the ground wire from the outlet box. Wrap the connection with electrical tape.

Step 4. Connect the wires from the receiver (A) to the house supply wires with wire nut (AA), neutral wire (white) to neutral wire, and hot wire (black) to the hot wire. Wrap the connection with electrical tape.

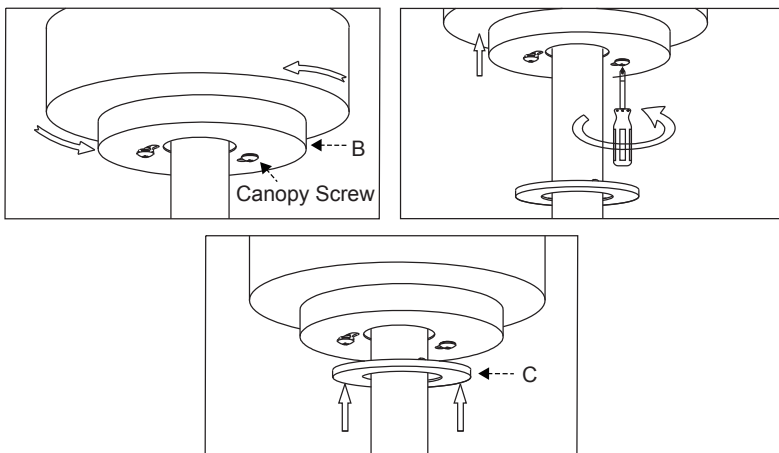


6. Fix the Canopy

Step 1. Push the canopy (B) up to the ceiling, making canopy screws go through the screw holes on canopy, then rotate canopy to make it lock onto the canopy screws.

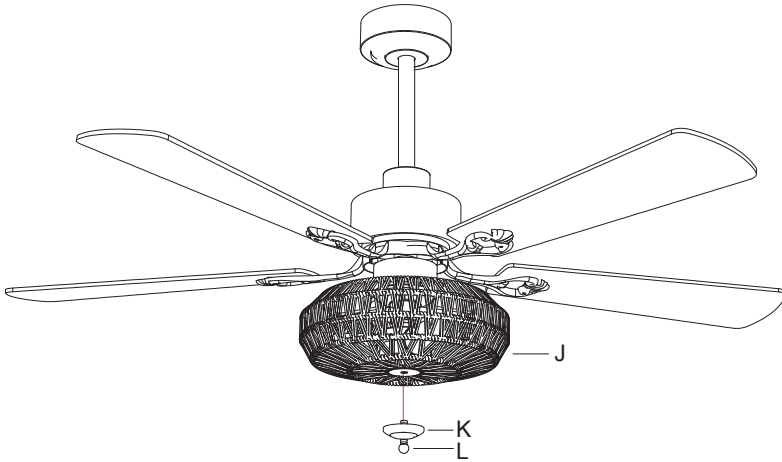
Step 2. Tighten the canopy screws to secure the canopy.

Step 3. Slide the canopy ring (C) up to the canopy.



7. Install the Round Cap

Secure the round cap (K) onto the cage (J) with the fixing nut (L).

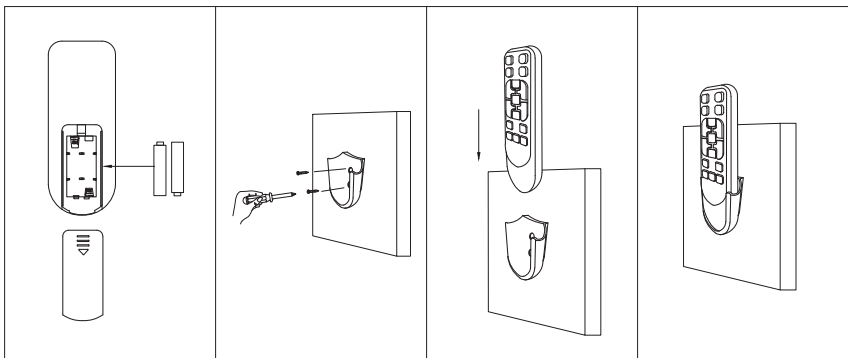


8. Install the Remote Holder

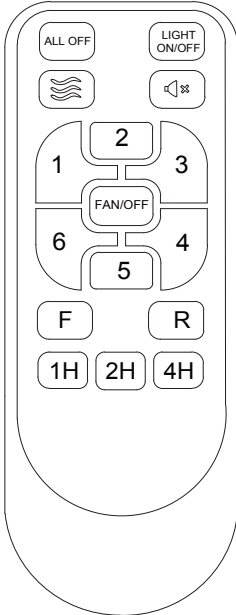



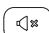
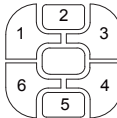



Step 1: Insert 2 batteries before using: AAA 1.5V battery x 2pcs (not included).

Step 2: Mark and drill screw holes in the wall, then insert the remote holder anchors.

Step 3: Use remote holder screws to fix the remote holder onto the wall.



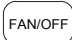
Remote Control Instructions

		Turn off the fan and lights.
		Turn on/off the lights.
		Natural Wind Mode: Fan speed automatically adjusts.
		Turn on/off the beep sound.
		1/2/3/4/5/6 for fan speeds.
		Turn off the fan.
		Alternate the fan's rotation between forward and reverse.
		1H//2H/4H for timing the fan.

NOTE:

Please insert 2 batteries before using. AAA 1.5V battery x 2pcs (not included).


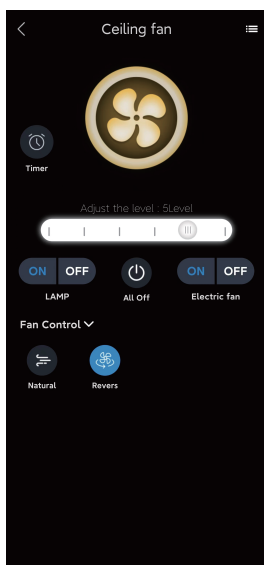

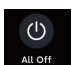
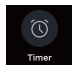

REMOTE SIGNAL PAIRING:

If the remote control loses the signal of the fan, turn off the power from wall switch, then turn it on, press  immediately for around 3 seconds, after the fixture beeps or flashes, then it's done.

APP Control Instructions

Install the "Tiny Smart" app from Google Play, Apple App Store, or other app stores by scanning the QR code or searching for the app name.

Ensure that your phone is connected to the internet and Bluetooth enabled.

 		<p>Pairing: Follow the APP operation to turn off the wall switch, and turn it on after 5 seconds. The device will automatically connect to the ceiling fan.</p>
		<p>Slide the slider to change the fan speed.</p>
		<p>Turn on/off the light.</p>
		<p>Turn on/off the fan.</p>
		<p>Turn off the fan and lights.</p>
		<p>1H-8H for timing the fan.</p>
		<p>Natural wind: The fan speed will change automatically when you use this function</p>
		<p>Fan moves forward.</p>

Trouble Shooting

1. Fan doesn't work

- Make sure the fixture is connected to an ON/OFF wall switch, not a dimmer switch.
- Check the remote control battery (not included in this package).
- Check the circuit breaker to ensure the power is on.
- Turn off power from the circuit breaker, then loosen the canopy and check all the connections according to the wiring diagram.

2. Lights Do Not Light Up / Flicker / Noisy Operation

- Make sure the fixture is connected to an ON/OFF wall switch, not a dimmer switch.
- Check your power and switch to make sure it's powered on.

3. Noisy Operation

- Tighten the light fitting and blade bottom cover.
- Re-tighten all screws on the bracket, downrod, and fan blades (do not over tighten)
- Check to see if any of the blades are cracked. If so, replace all of the blades.

4. Remote does not work

- Make sure the battery is installed correctly.
- Pair the remote control again. (See "Remote Control Instructions")
- Install 2 new batteries.

Clean And Care

To clean, wipe fixture with soft cloth. Spray from chemical cleaners can discolor the finish of fixture. Do not use scouring pads, powders, steel wool or abrasive paper to clean this fixture.

Ordering Parts

Keep this manual for future reference, and in case replacement parts are needed. Available parts can be ordered from place of purchase. Use exact wording from diagrams when ordering parts.