

# *ASSEMBLY INSTRUCTIONS*



Fine Furniture for every stage of life

# ASSEMBLY INSTRUCTIONS

## ASSEMBLY TIPS

- 1.Remove hardware from box and sort by size.
- 2.Please check to see that all hardware and parts are present prior to start of assembly.
- 3.Please follow attached instructions in the same sequence as numbered to assure fast & easy assembly.



### WARNING!

- 1.Don't attempt to repair or modify parts that are broken or defective.Please contact the store immediately.
- 2.This product is for home use only and not intended for commercial establishments.

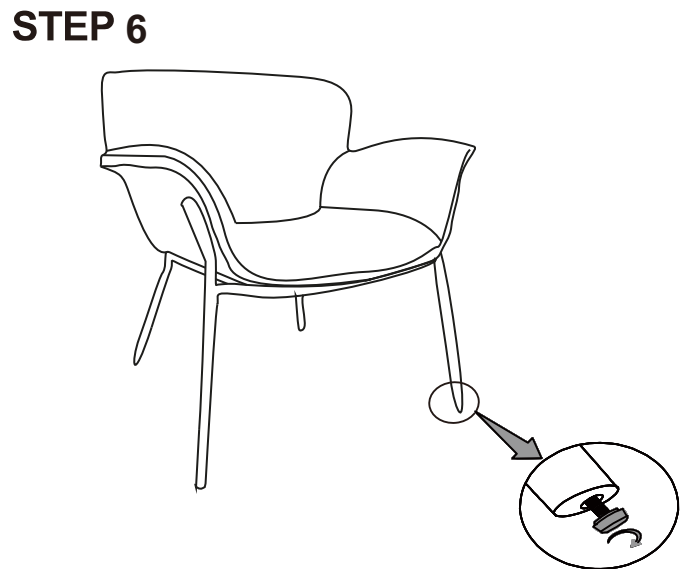
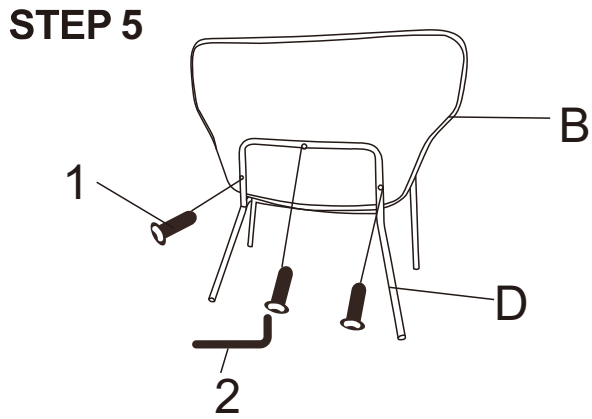
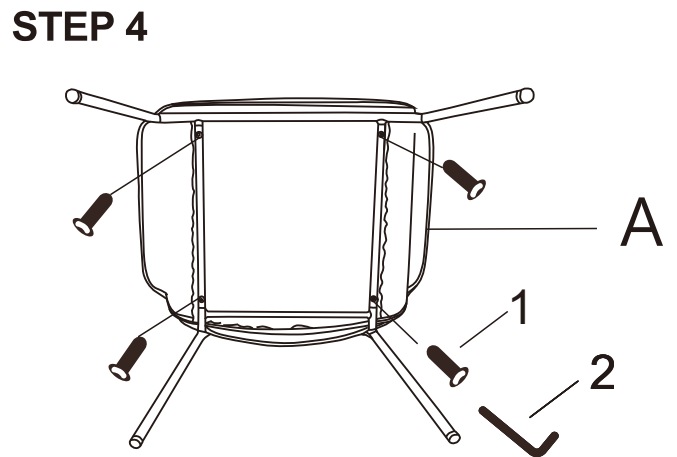
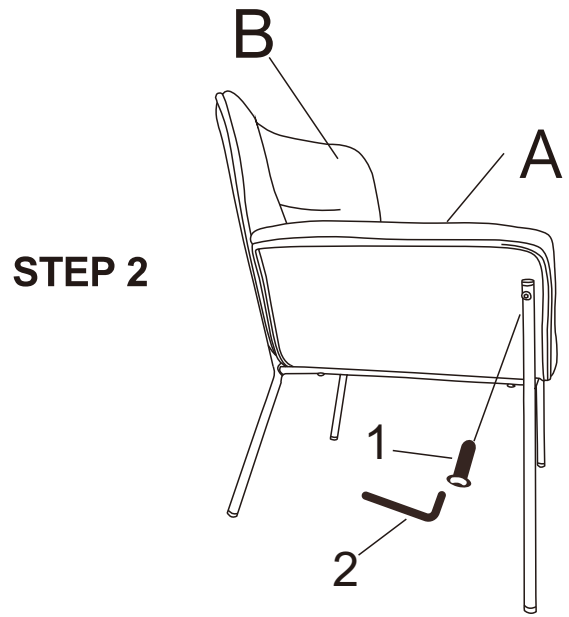
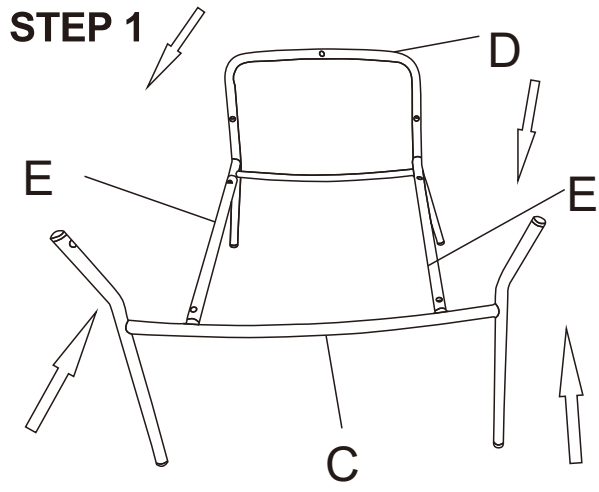
## PARTS IDENTIFICATION

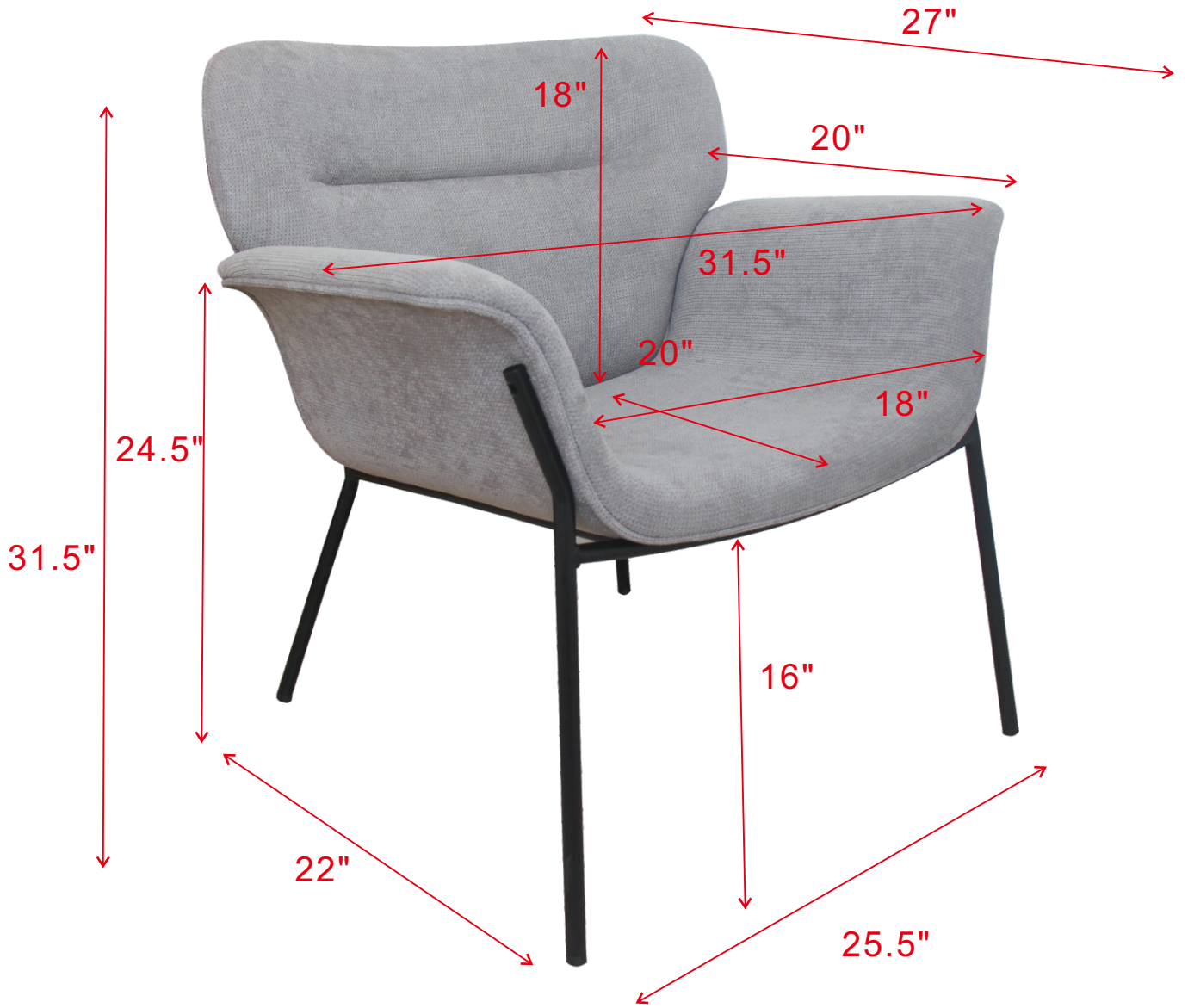
A		SEAT	1PC
B		BACK	1PC
C		FRONT LEG FRAME	1PC
D		BACK LEG FRAME	1PC
E		CROSSBAR	2PCS

## Z HARDWARE IDENTIFICATION

1		BOLT ( M6x40MM )	9PCS
2		ALLEN WRENCH (M5)	1PC

# ASSEMBLY INSTRUCTIONS





Noted: Dimension tolerance  $\pm 5\%$