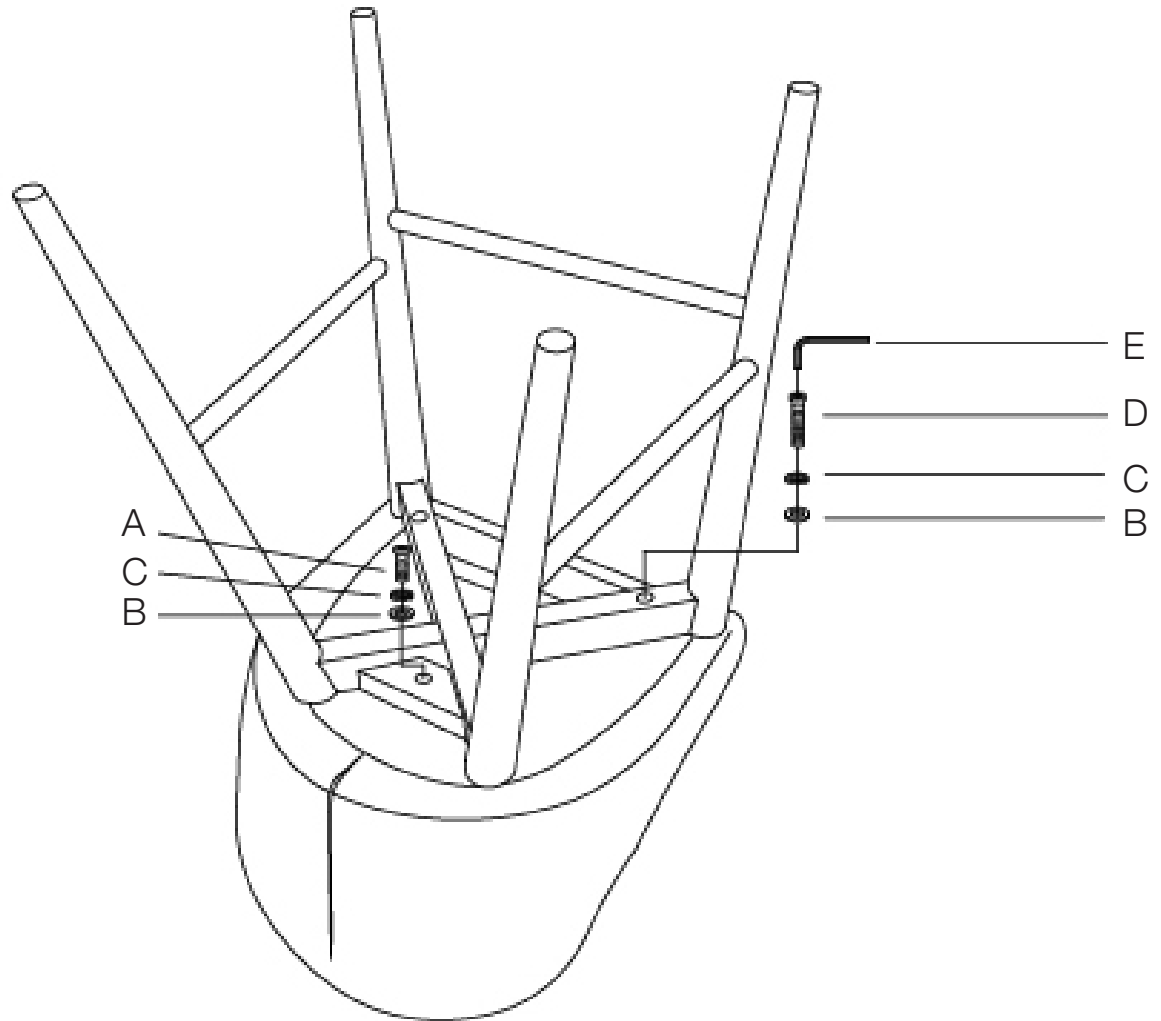



PLEASE NOTE: Check that you have received all components and hardware before assembling.

## Assembly Instructions Bar Stool




  
A (1 PC)  
M6 X 46mm

  
B (3 PCS)

  
C (3 PCS)

  
D (2 PCS)  
M6 X 60mm

  
E (1 PC)  
4mm

During assembly, hand tighten screws only. When the screws are in place, tighten completely.