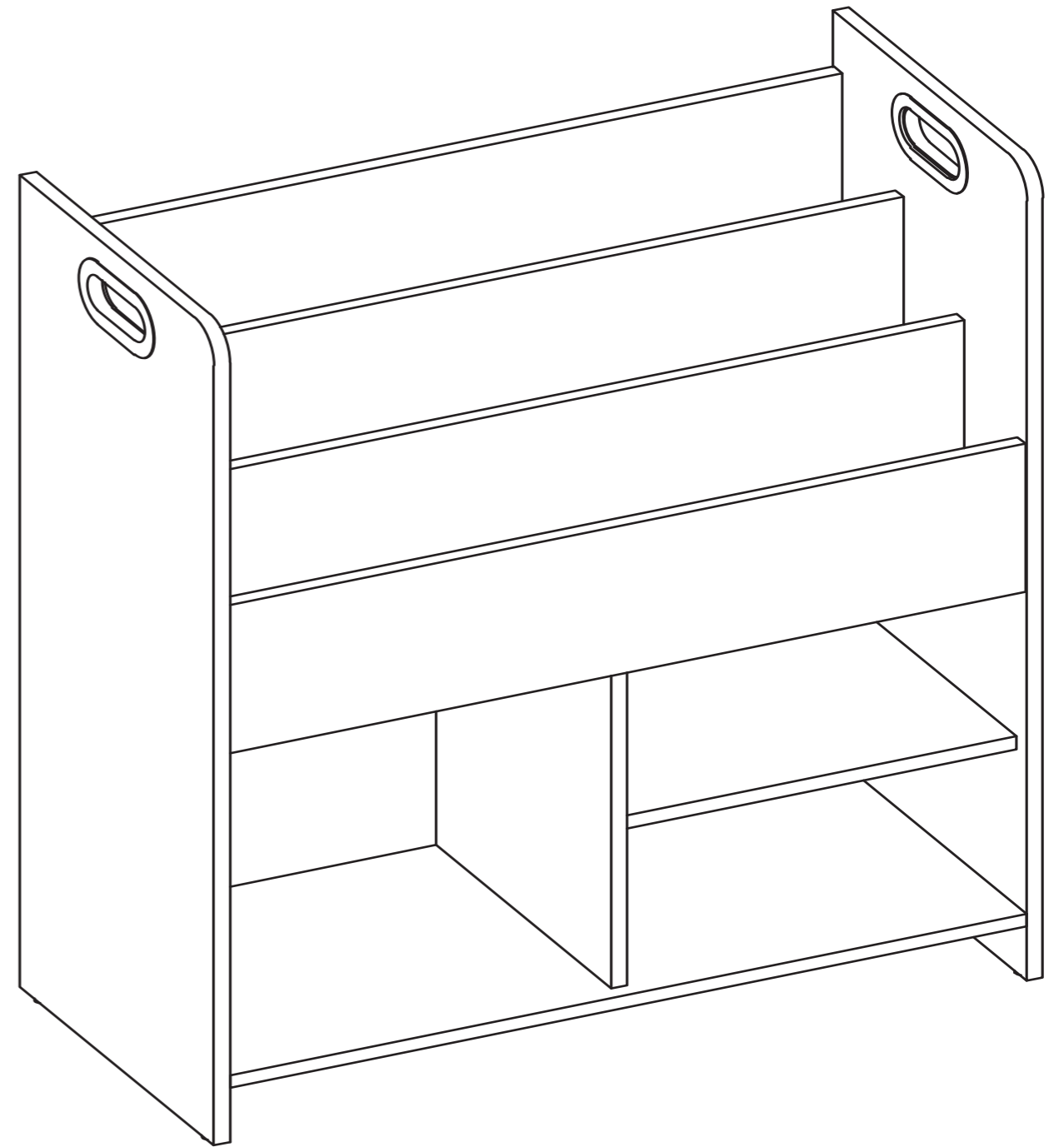
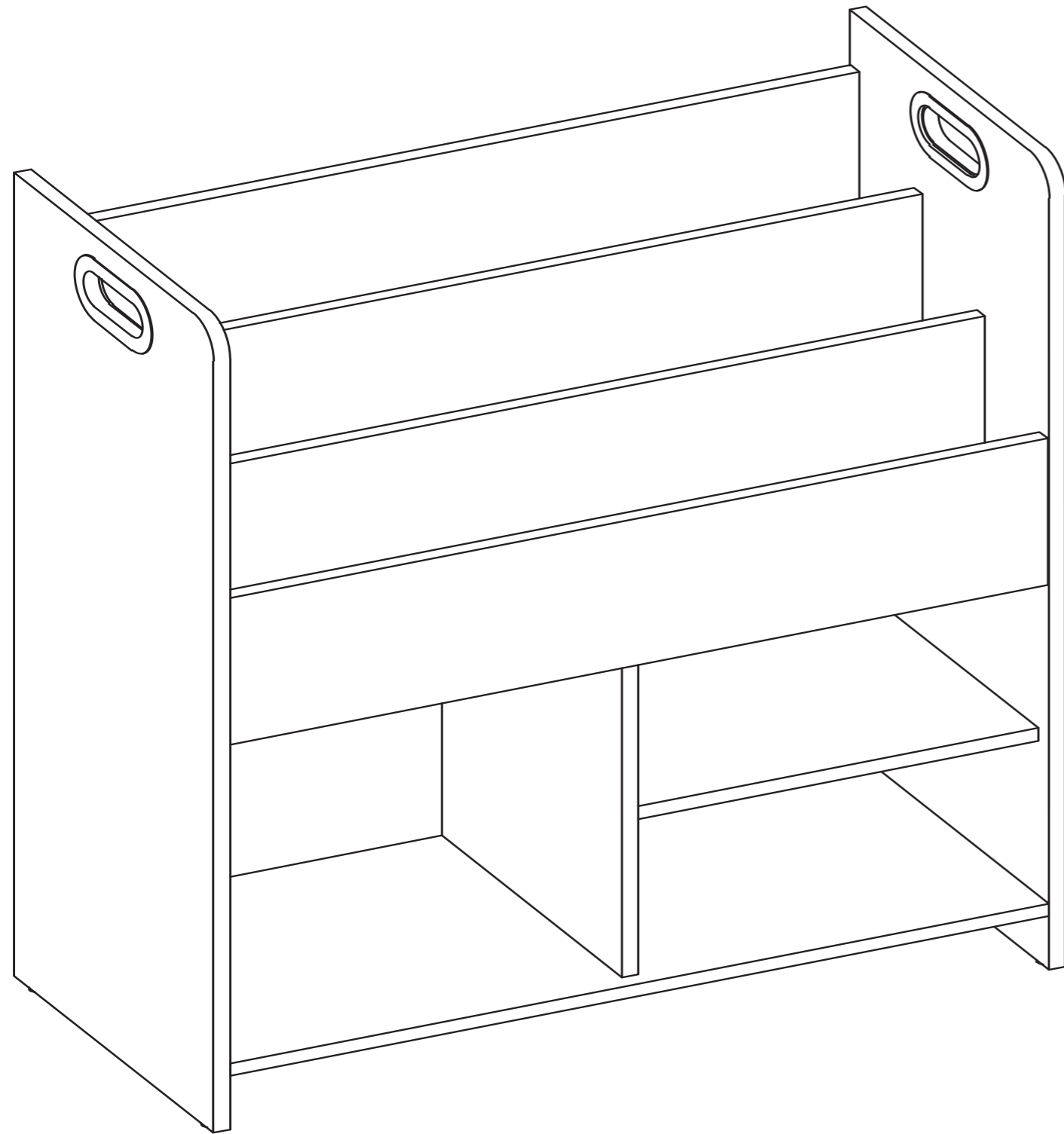
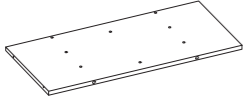
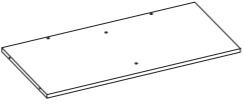
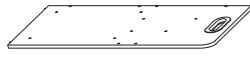
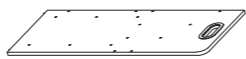
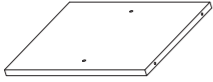
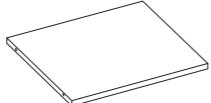
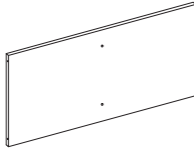
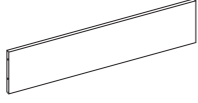
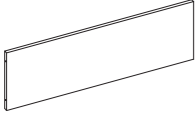
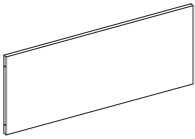
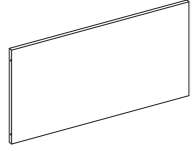


# Newspaper Rack

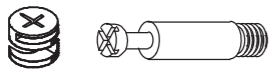


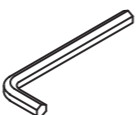
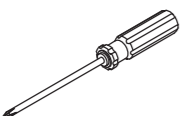


Dimension: 62.2\*29.2\*75cm

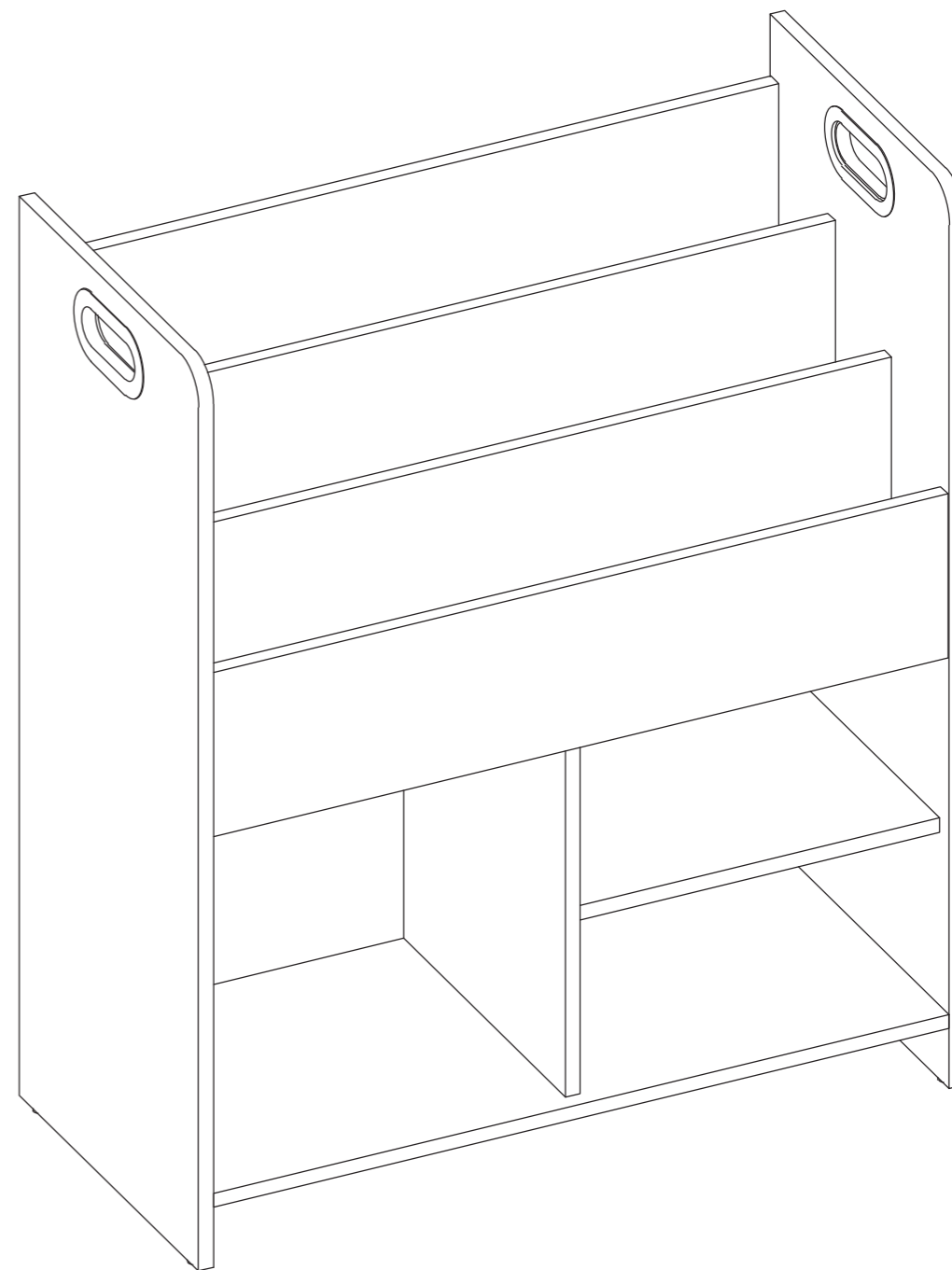
Components

<b>1</b>	 598x278x12mm	1	<b>2</b>	 598x292x12mm	1
<b>3</b>	 750x292x12mm	1	<b>4</b>	 750x292x12mm	1
<b>5</b>	 300x354x12mm	1	<b>6</b>	 293x263x12mm	1
<b>7</b>	 598x299x12mm	1	<b>8</b>	 598x137x12mm	1
<b>9</b>	 598x189x12mm	1	<b>10</b>	 598x257x12mm	1
<b>11</b>	 598x325x12mm	1			

Screws&Tools

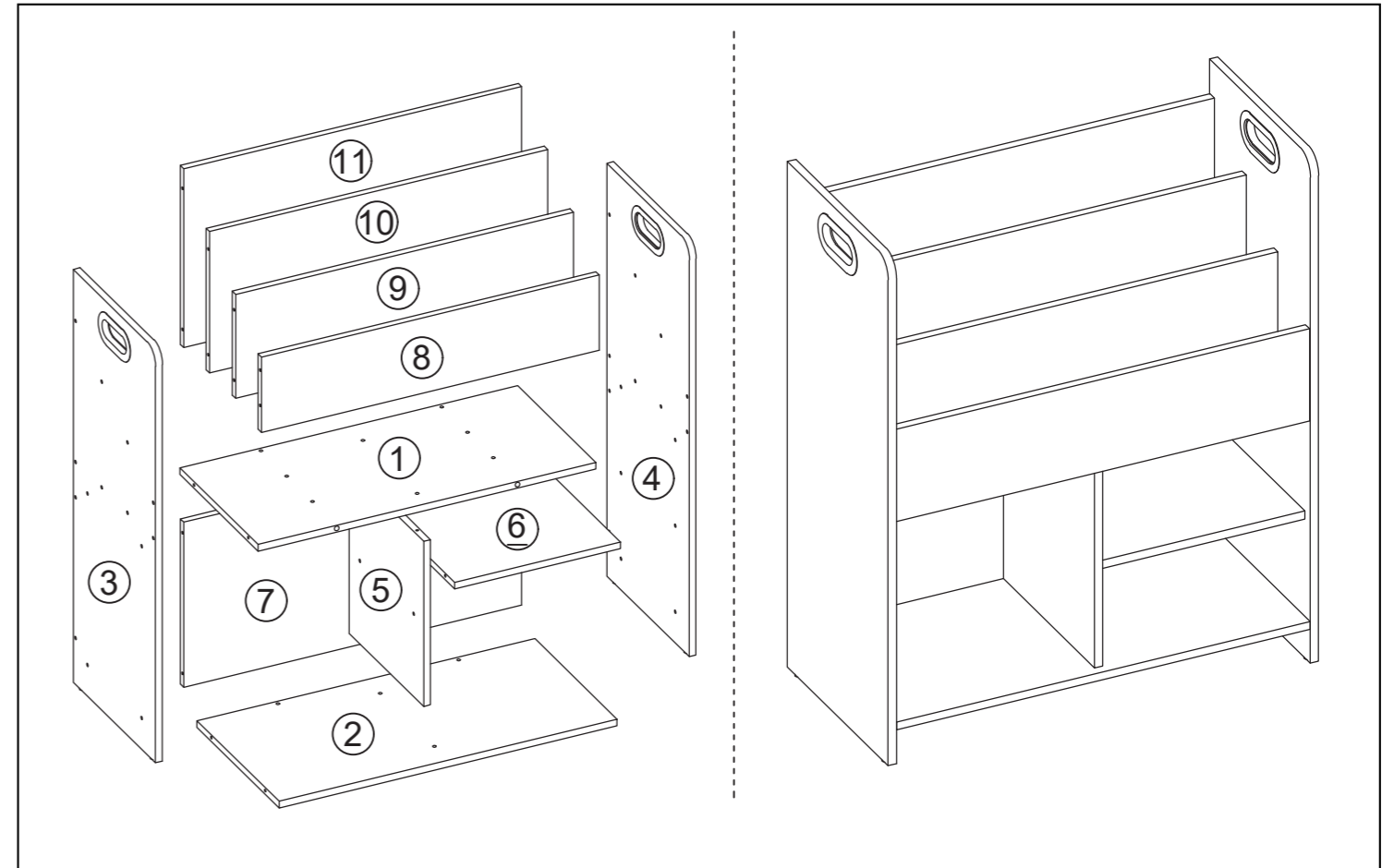
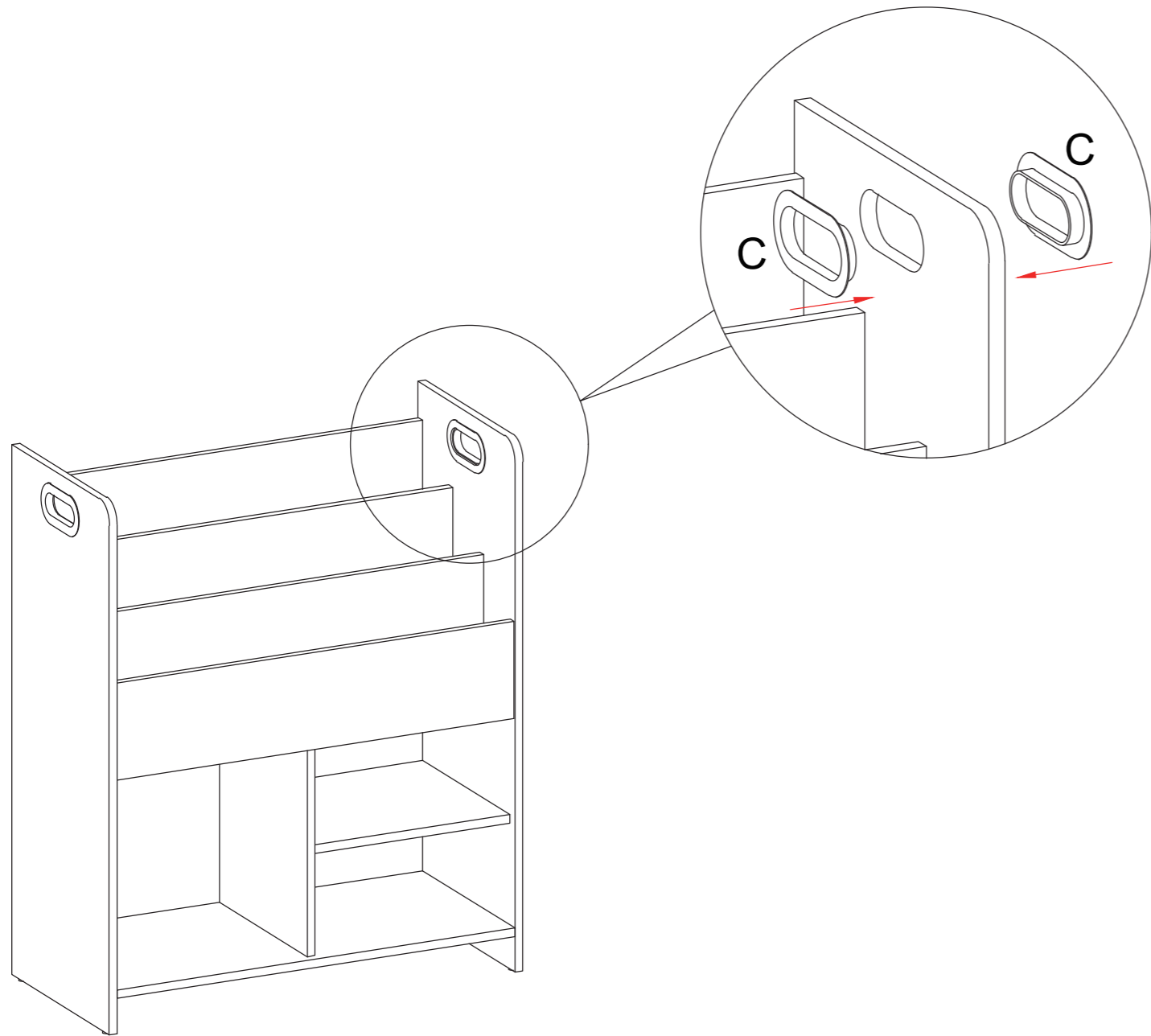
<b>A</b>		2	<b>B</b>	 5X40	46
<b>C</b>		2			1
		1			

Step 11

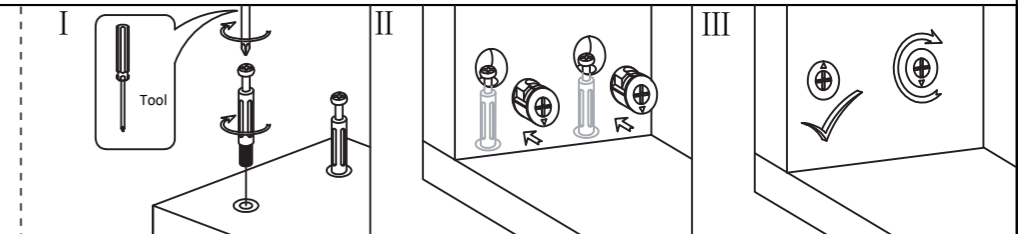


# Step 10


 CX2

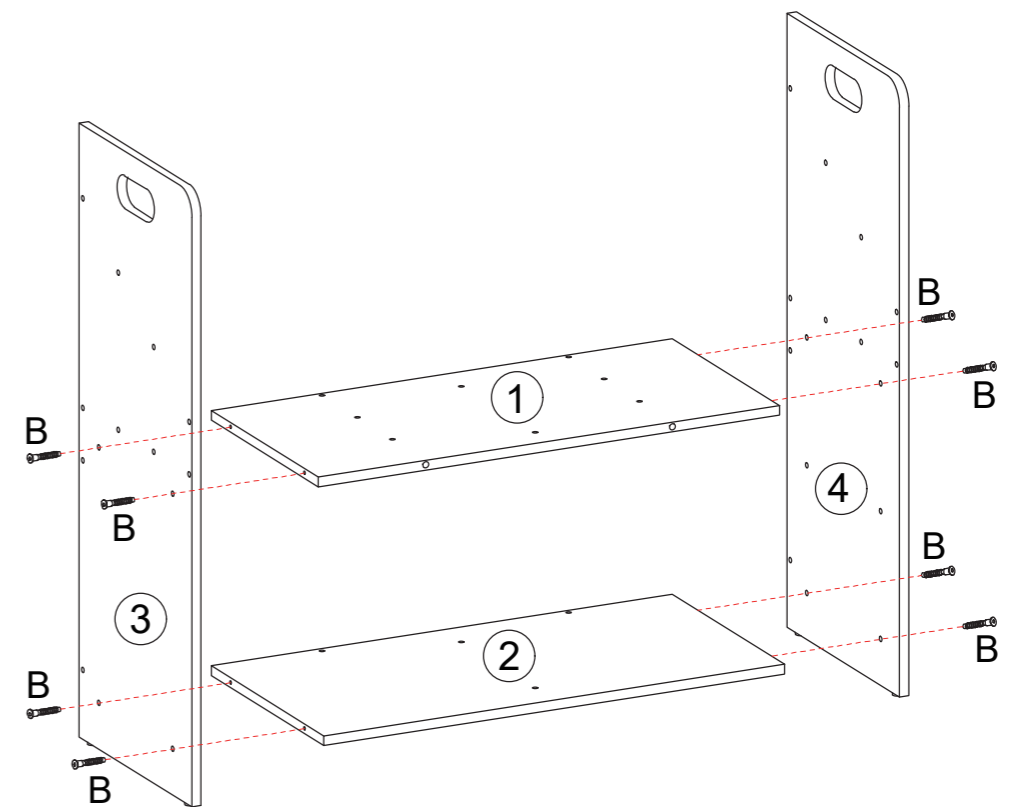


"A" Hardware  
installation example



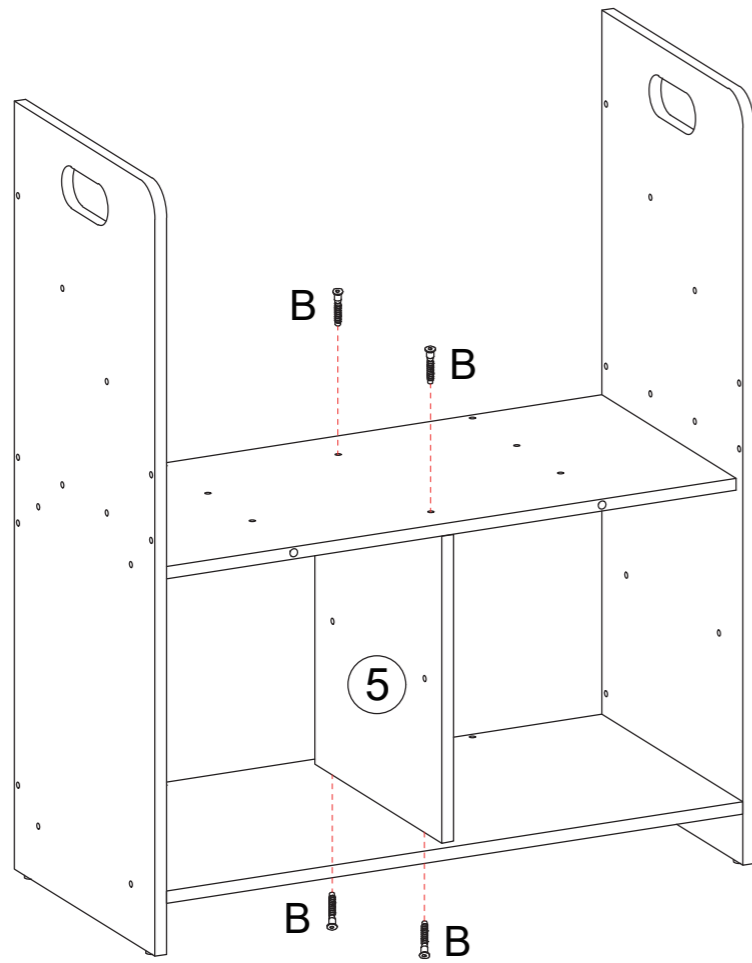
# Step 1

 BX8



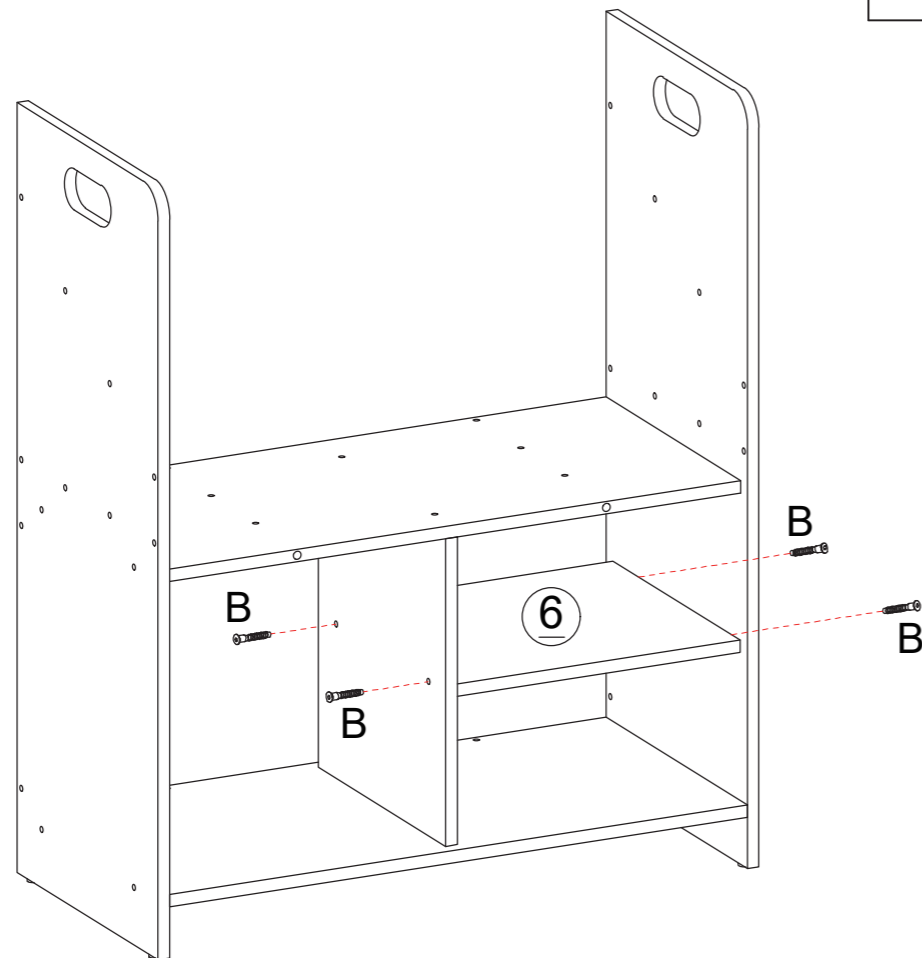
### Step 2

 BX4



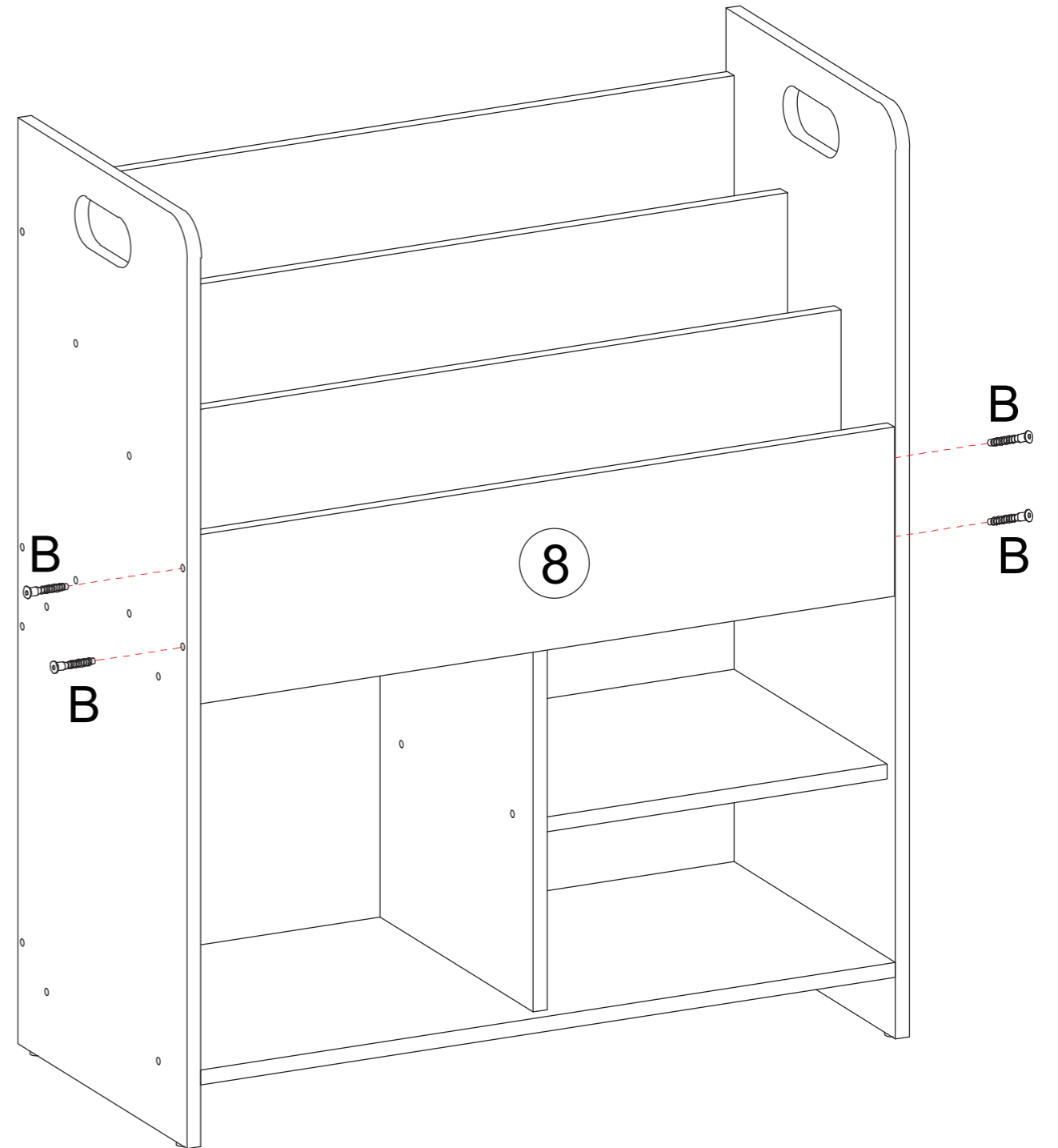
### Step 3

 BX4



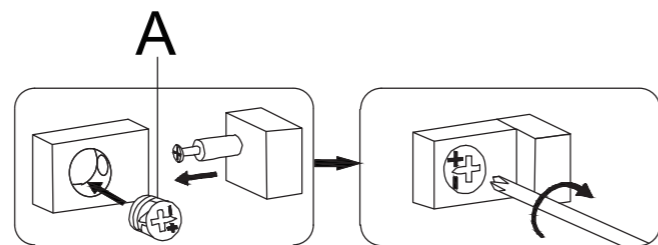
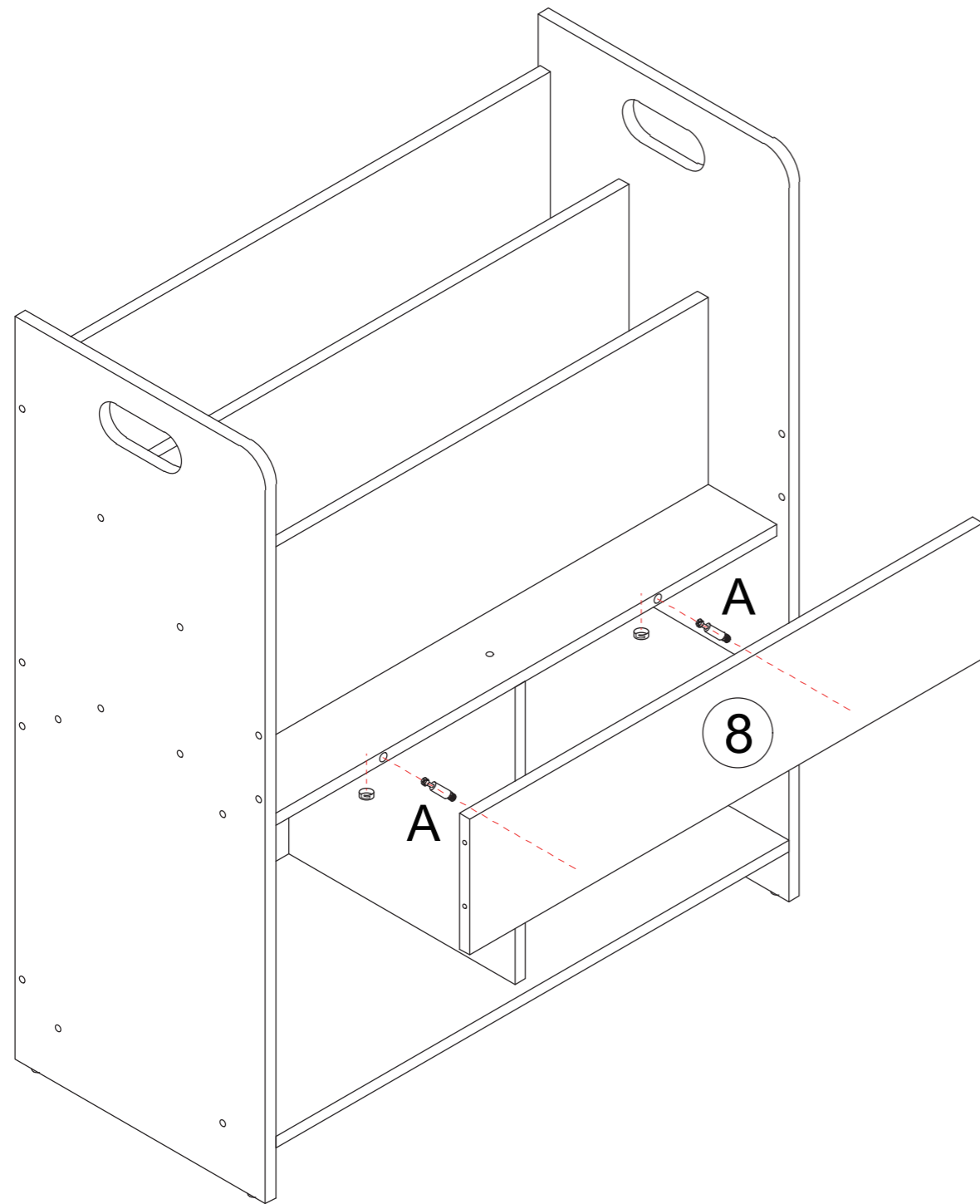
### Step 9

 BX4



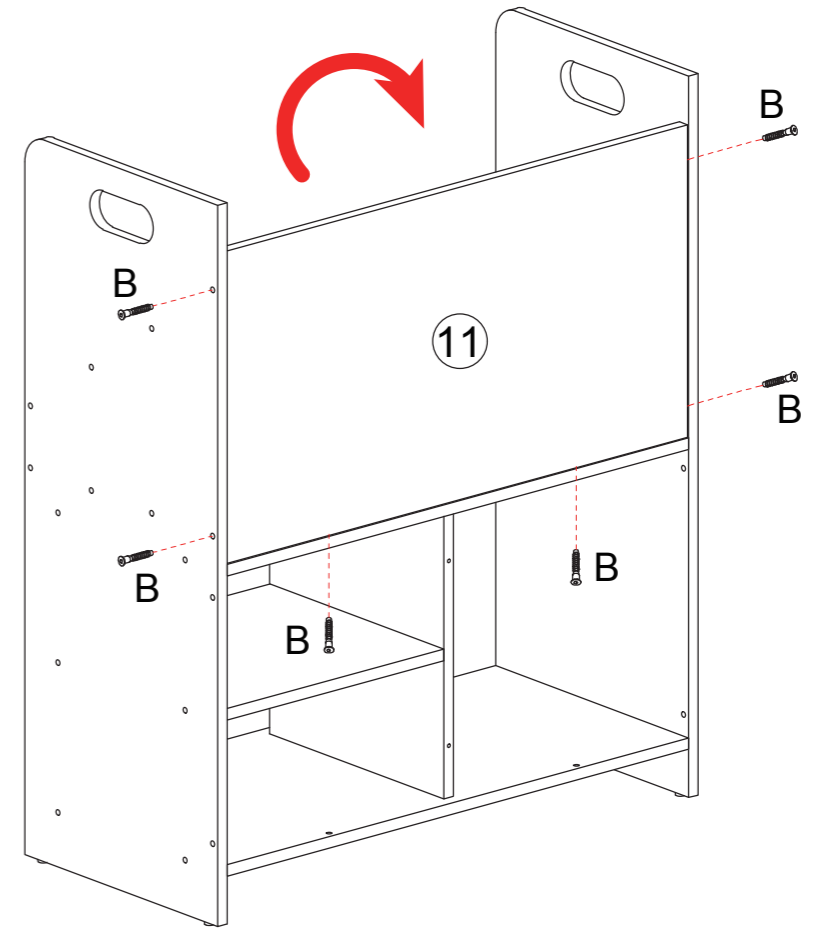
# Step 8

AX2



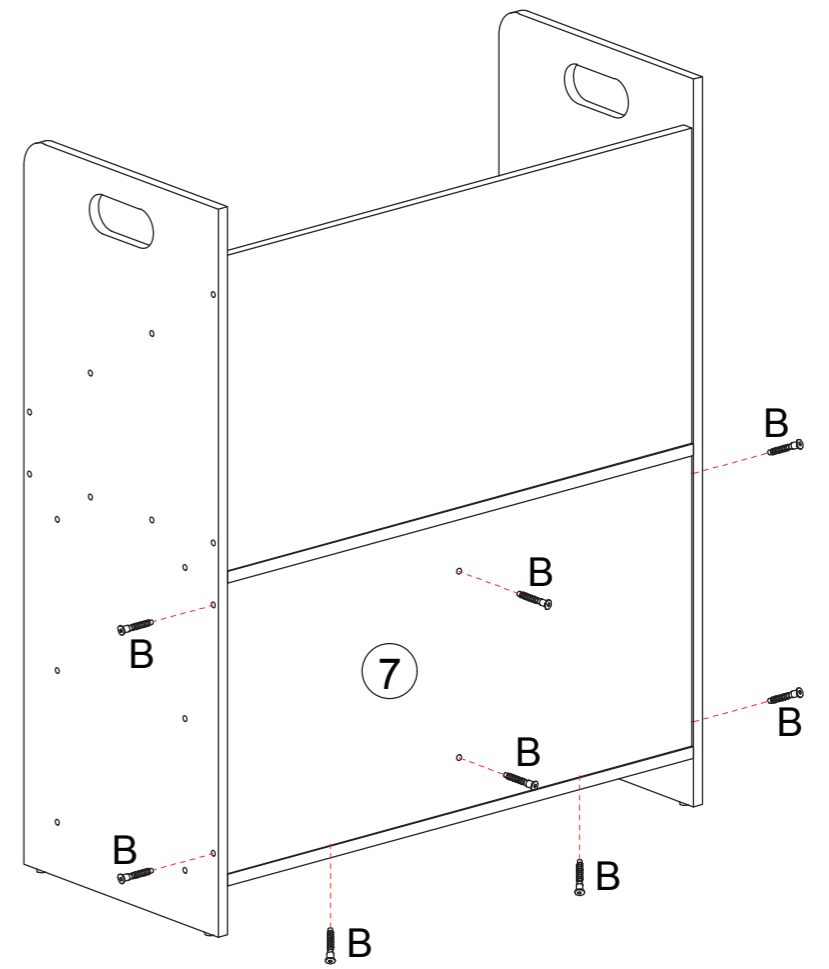
# Step 4

BX6



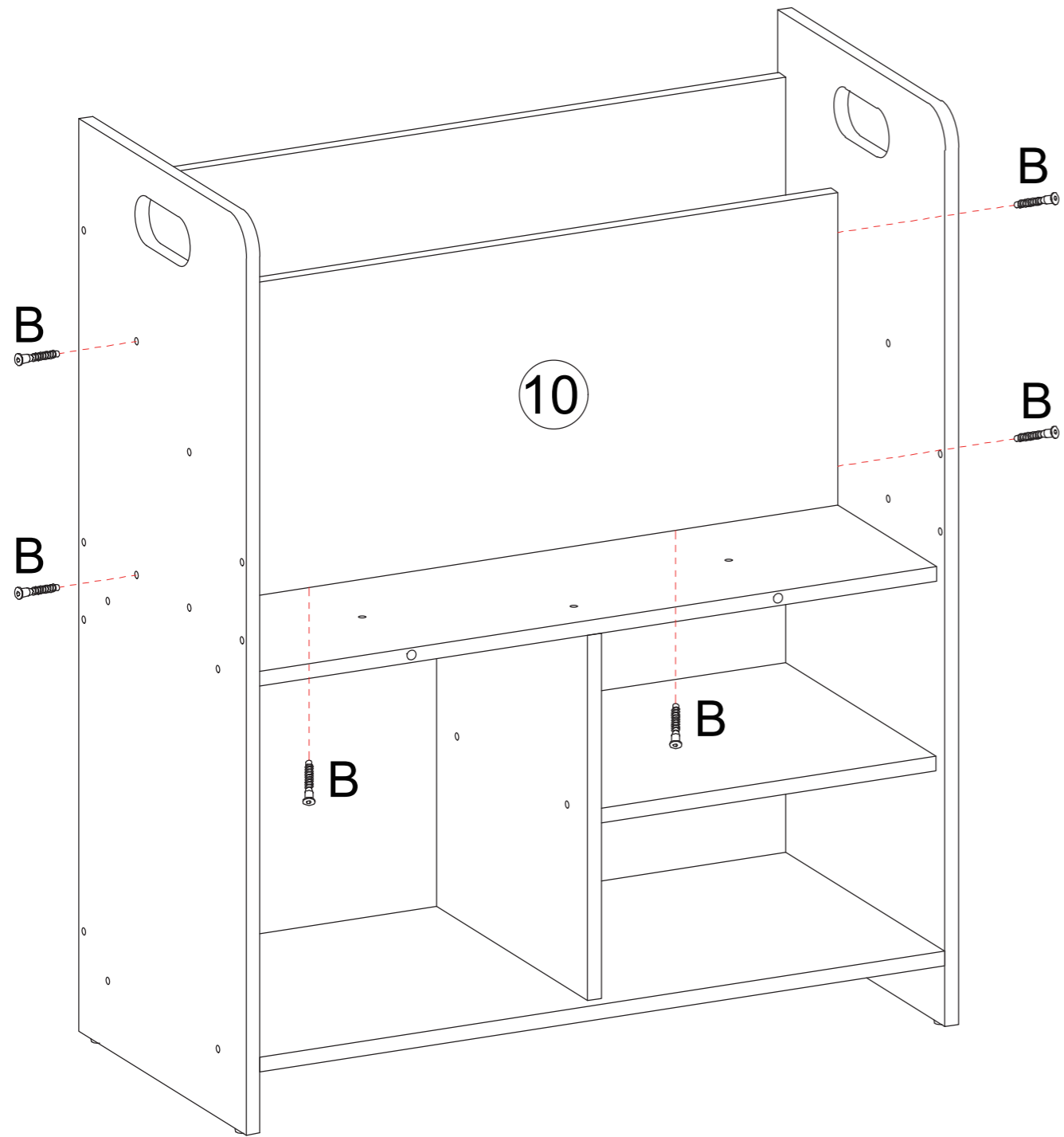
# Step 5

BX8



Step 6

 BX6



Step 7

 BX6

