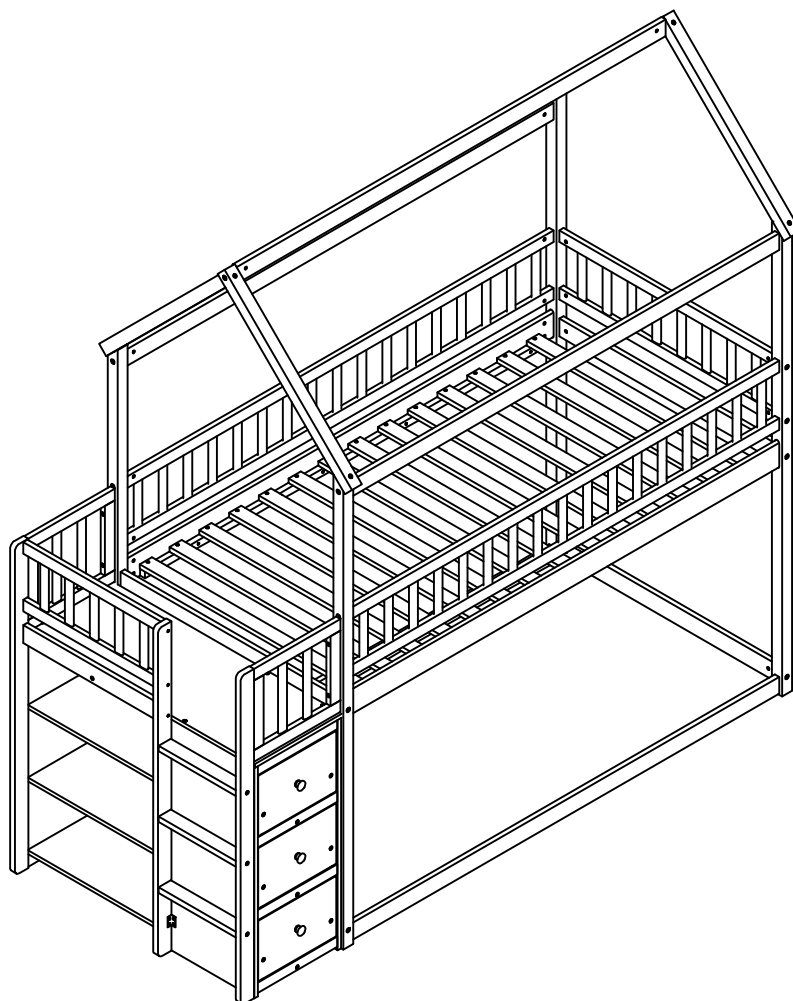


ASSEMBLY INSTRUCTIONS

TWIN/TWIN HOUSE BED WITH DRAWERS AND SHELVES



YX5530

**(W697P170294/W697P170295/
W697P170494/W697P170500/
W697P170513)**



SAFETY WARNING



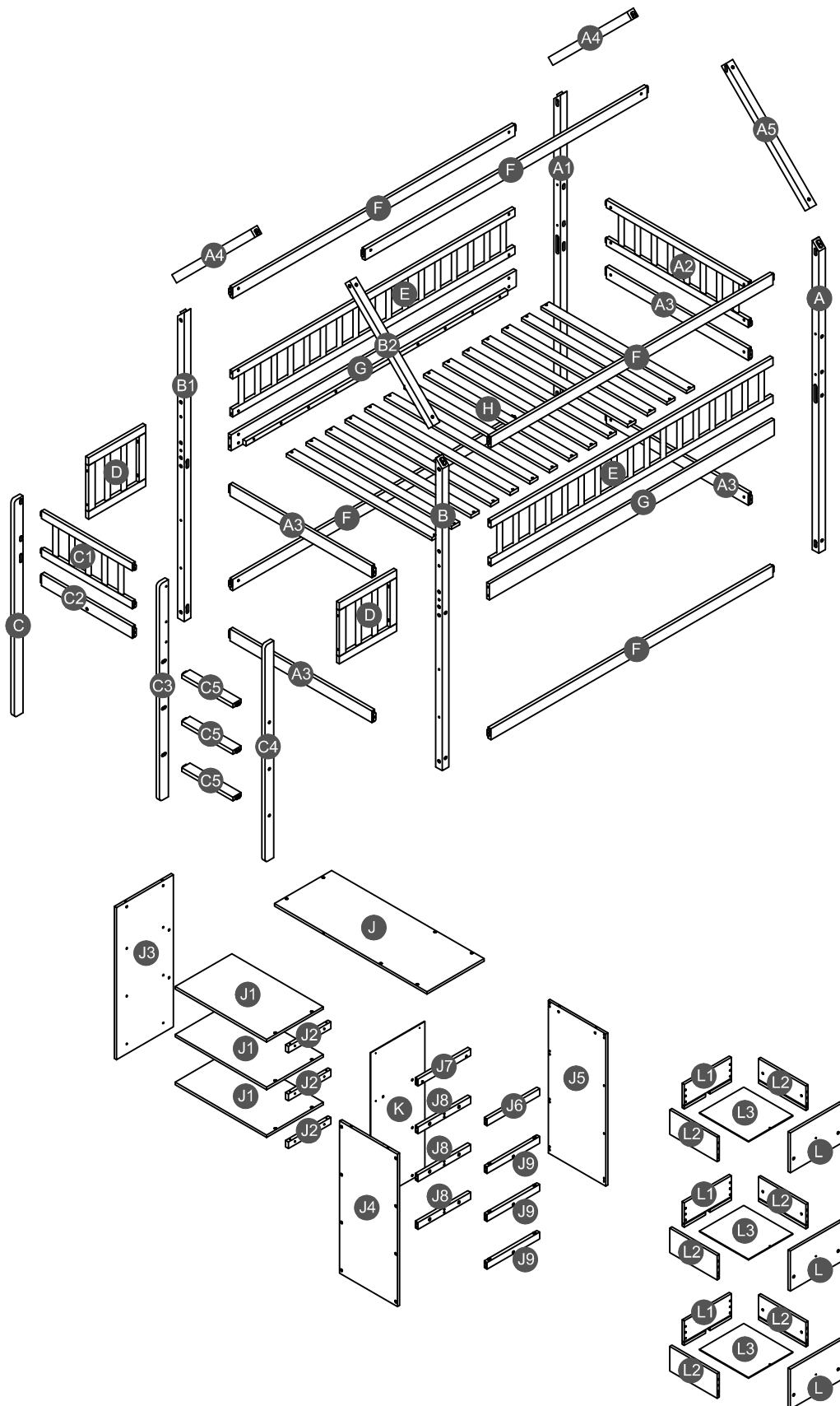
1. This bed is designed for use only mattress (es) meeting the following specifications on the upper bunk, and lower bunk:

Upper bunk (Bunk bed and tribed included)

Bed type	Length	With	Thickness
Twin Standard	74"-75"	38 1/2"	6"



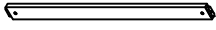
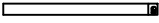
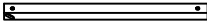


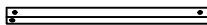
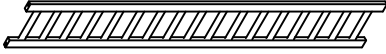
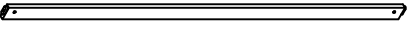
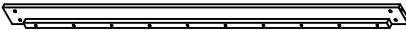

2. Replacement parts, including additional guardrails, maybe obtained from any of our (FANG XING CO.,LTD 18961 Arenth Avenue, City of industry, CA, 91748) dealers.
3. Follow the information on the warnings appearing on the upper bunk bed end structure and on the carton. Do not remove warning label from bed.
4. Always use the recommended size mattresses or mattress supports, or both, to help prevent the likelihood of entrapment or falls.
5. Surface of mattress must be at least 5" (127mm) below the upper edge of guardrails.
6. Do not allow children under 6 years of age to use the upper bunk.
7. Periodically check and ensure that the guardrail, ladder, and other components are in their proper position, free from damage, and that all connectors are tight.
8. Do not allow horseplay on or under the bed and prohibit jumping on the bed.
9. Always use the ladder for entering and leaving the upper bunk.
10. Do not use substitute part. Contact the manufacture or dealer for replacement part.
11. Use of a night light may provide added safety precaution for a child using the upper bunk.
12. Always use guardrails on both long sides of the upper bunk. If the bunk bed will be placed next to the wall, the guardrail that runs the full length of the bed should be placed against the wall to prevent entrapment between the bed and wall.
13. The use of water or sleep flotation mattresses is prohibited.
14. STRANGULATION HAZARD - Never attach or hang items to any part of the bunk bed that are not designed for use with the bed; for example, but not limited to, hook, belts and jump ropes.
15. Keep these instruction for future reference.
16. Prohibit more than one person on upper bunk
17. We recommend assembling your bunk bed on the shipping carton to protect your floor or carpet.
18. Be certain all staples are out of the box before beginning assembly on the shipping carton.

Detail View



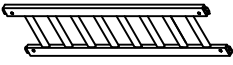
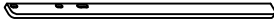


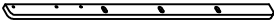
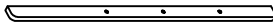
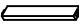
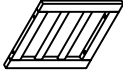
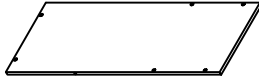

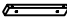



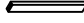






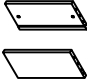
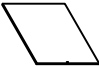
Part List

YX5530 (1-2)

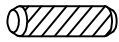

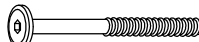
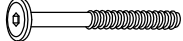












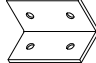
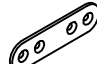
<p>A</p>  <p>Leg HB (Right Front) - 1pc</p>	<p>A1</p>  <p>Leg HB (Right Back) - 1pc</p>	<p>A3</p>  <p>Horizontal bar HB/FB - 4pcs</p>
<p>A4</p>  <p>Upper HB/FB (Back) - 2pcs</p>	<p>A5</p>  <p>Upper HB (Right Front) - 1pc</p>	<p>B</p>  <p>Leg FB (Left Front) - 1pc</p>
<p>B1</p>  <p>Leg FB (Left Back) - 1pc</p>	<p>B2</p>  <p>Upper FB (Left Front) - 1pc</p>	<p>E</p>  <p>Frame guard rail - 2pcs</p>
<p>F</p>  <p>Horizontal bar - 5pcs</p>	<p>G</p>  <p>Side rail - 2pcs</p>	<p>H</p>  <p>Slat - 14pcs</p>

Part List

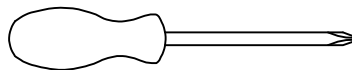
YX5530 (2-2) + Hardware in side

A2  Frame HB - 1pc	C  Vertical bar (Back) - 1pc	C1  Frame FB - 1pc
C2  Horizontal bar FB - 1pc	C3  Side ladder (Back) - 1pc	C4  Side ladder (Front) - 1pc
C5  Step ladder - 3pcs	D  Frame (Front/Back) - 2pcs	J  Top panel - 1pc
J1  Shelf panel - 3pcs	J2  Support - 3pcs	J3  Side panel (Back) - 1pc
J4  Side panel (Left) - 1pc	J5  Side panel (Right) - 1pc	J6  Upper horizontal bar (Front) - 1pc
J7  Upper horizontal bar (Back) - 1pc	J8  Horizontal bar (Back) - 3pcs	J9  Horizontal bar (Front) - 3pcs
K  Back panel - 1pc	L  Drawer front - 3pcs	L1  Drawer back - 3pcs
L2  Drawer (left/right) - 6pcs	L3  Drawer bottom - 3pcs	

Hardware List YX5530 (2-2)




1	 Ø8*30mm Wood dowel (38pcs)	2	 (Ø15)1/4"*100mm Hex-Head bolts (28pcs)	3	 (Ø15)1/4"*80mm Hex-Head bolts (14pcs)
4	 (Ø12)1/4"*60mm Hex-Head bolts (65pcs)	5	 (Ø12)1/4"*40mm Hex-Head bolts (6pcs)	6	 (1/4")4.5*58mm Allen key (1pc)
7	 1/4"*15 (9.5mm) Horizontal-Hole bolts(99pcs)	8	 (Ø12)1/4"*65mm Hex-Head bolts (6pcs)	9	 (Ø12)1/4"*40mm Hex-Head bolts (6pcs)
10	 Ø4*30mm Wood screws (28pcs)	11	 Ø3.5*15mm Wood screws (8pcs)	12	 Ø3.5*15mm Wood screws (21pcs)
13	 Ø38*31mm Pine Knob (3pcs)	14	 3/16"*25mm Ph zinc(Knob) (3pcs)	15	 365*58*28 mm Lower slider drawer (3pcs)
16	 340*30mm Upper slider drawer (3pcs)	17	 40*18*18*1.6mm Metal bracket (2pcs)	18	 75*20*2 mm Metal bracket (1pc)

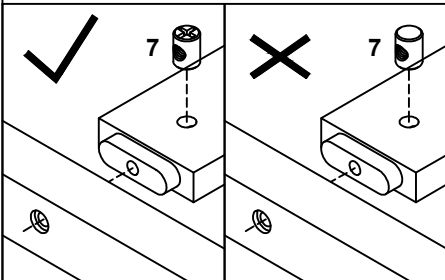
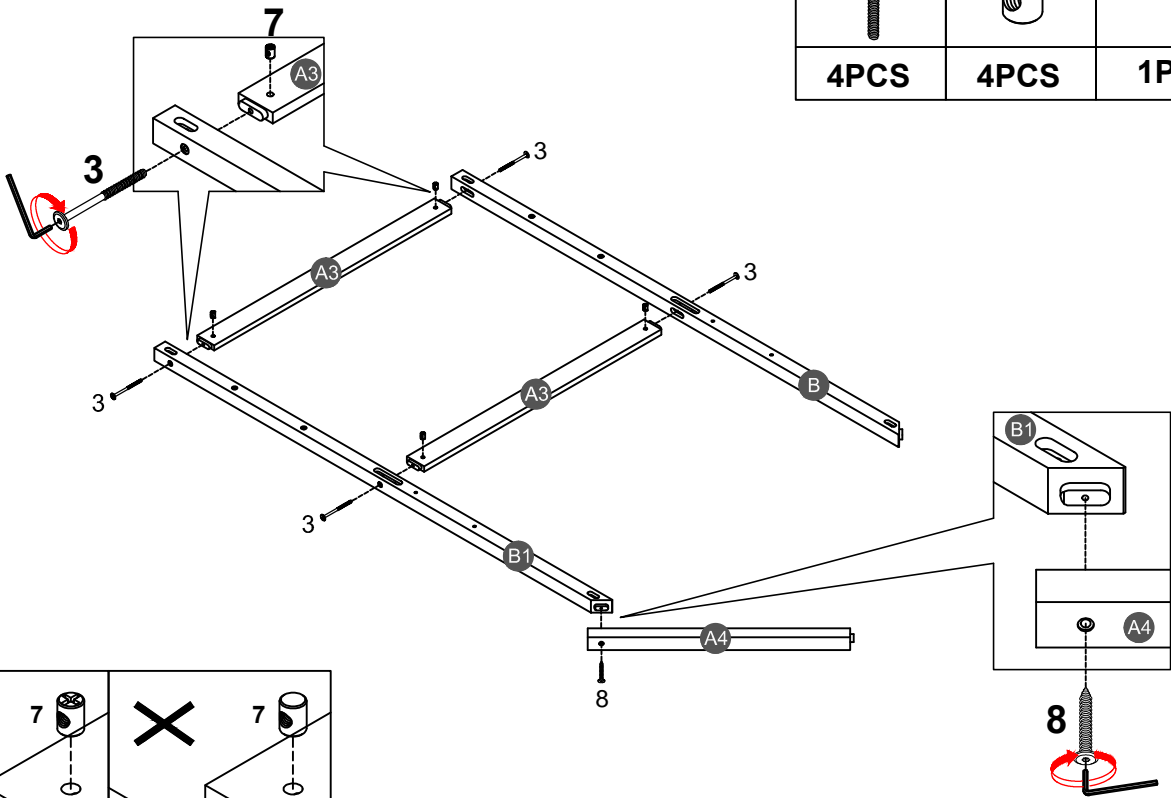
ASSEMBLY TOOLS REQUIRED (NOT INCLUDED)



PLEASE BE CAREFUL DO NOT DAMAGE THE HOLE POSITION WHEN YOU USE POWER TOOLS !


STEP 1:

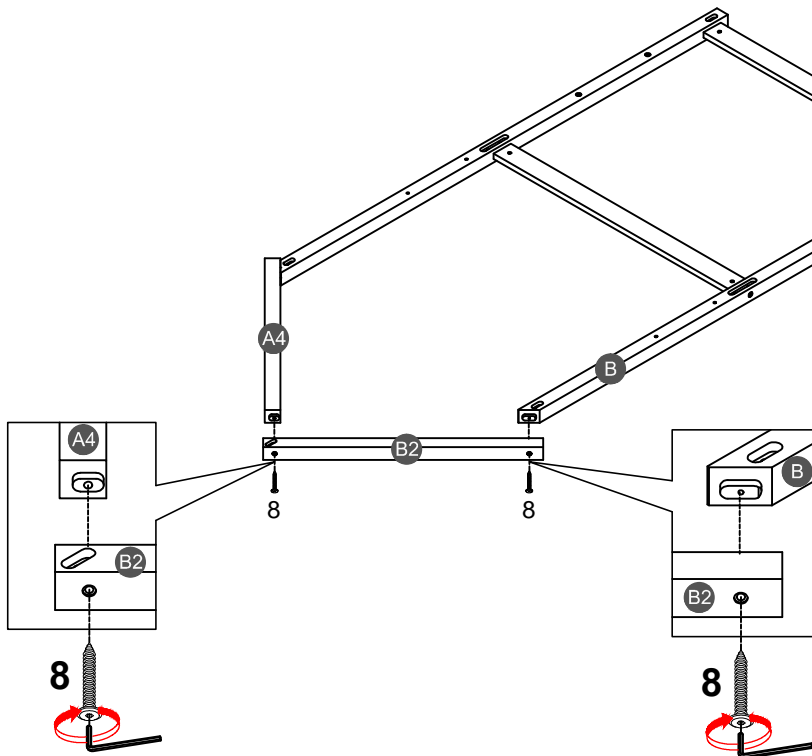
3		7		8	
4PCS		4PCS		1PC	



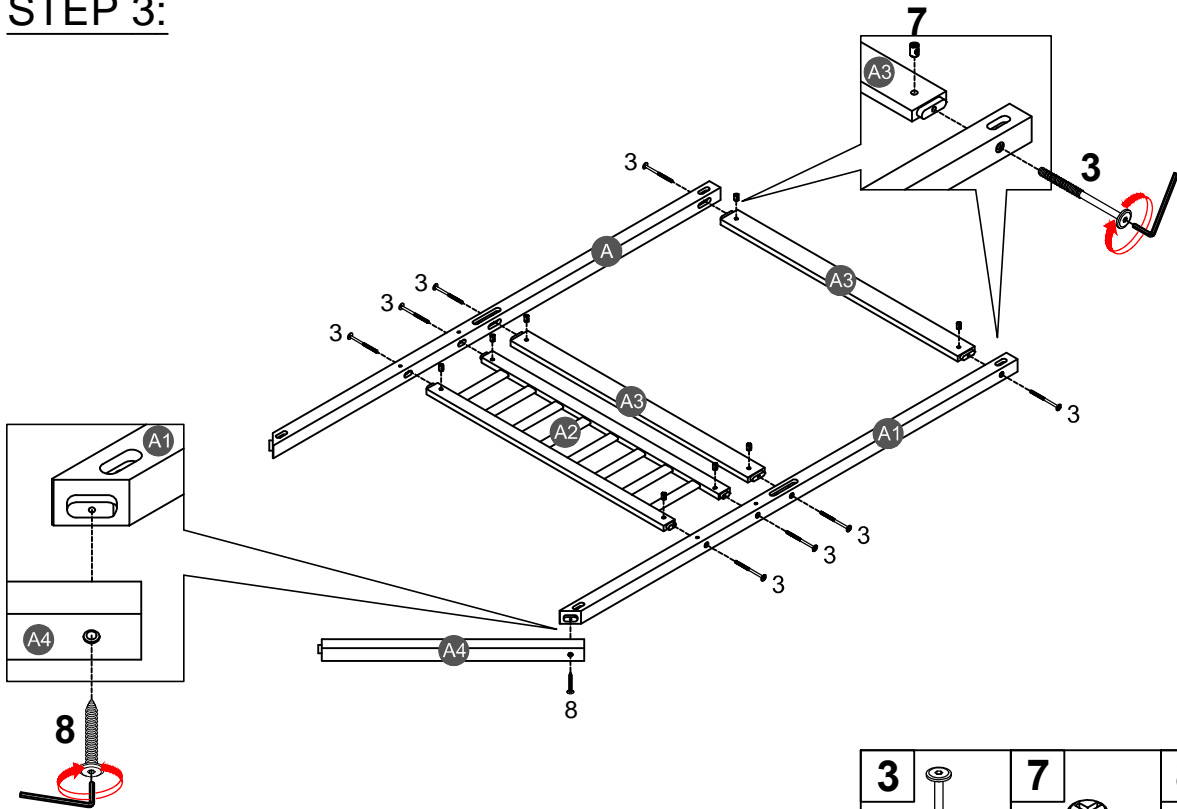
Note: Part 7 will face up with the "x" mark on it, otherwise it cannot be tightened



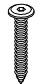
STEP 2:

8	
2PCS	

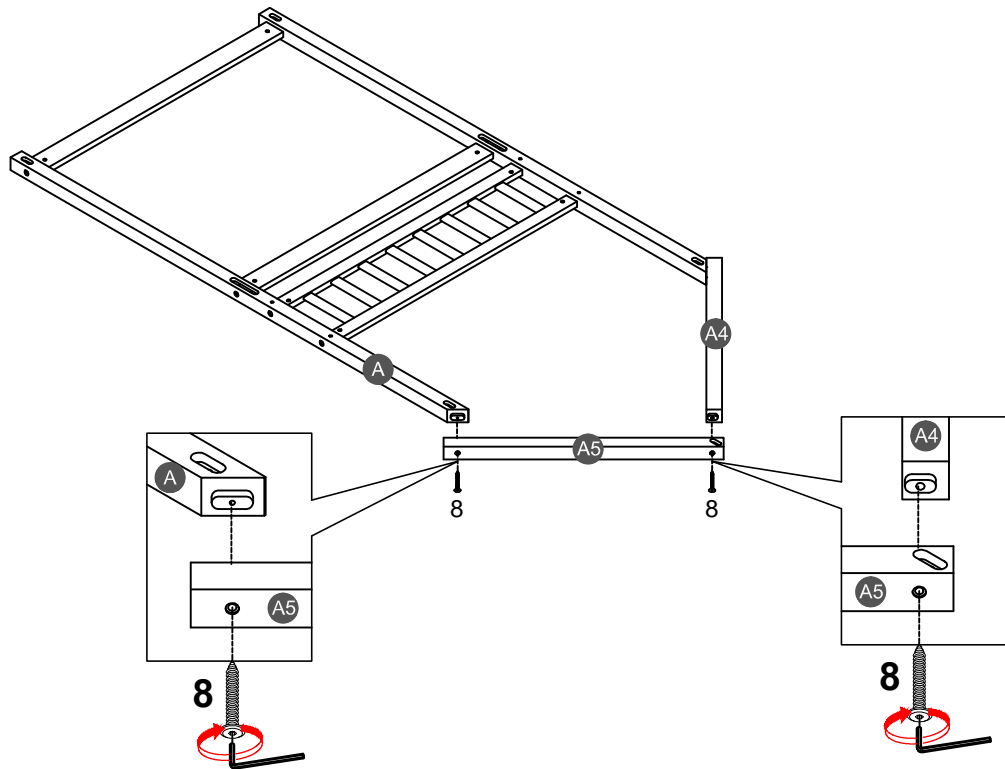


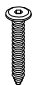
STEP 3:





3		7		8	
8PCS		8PCS		1PC	

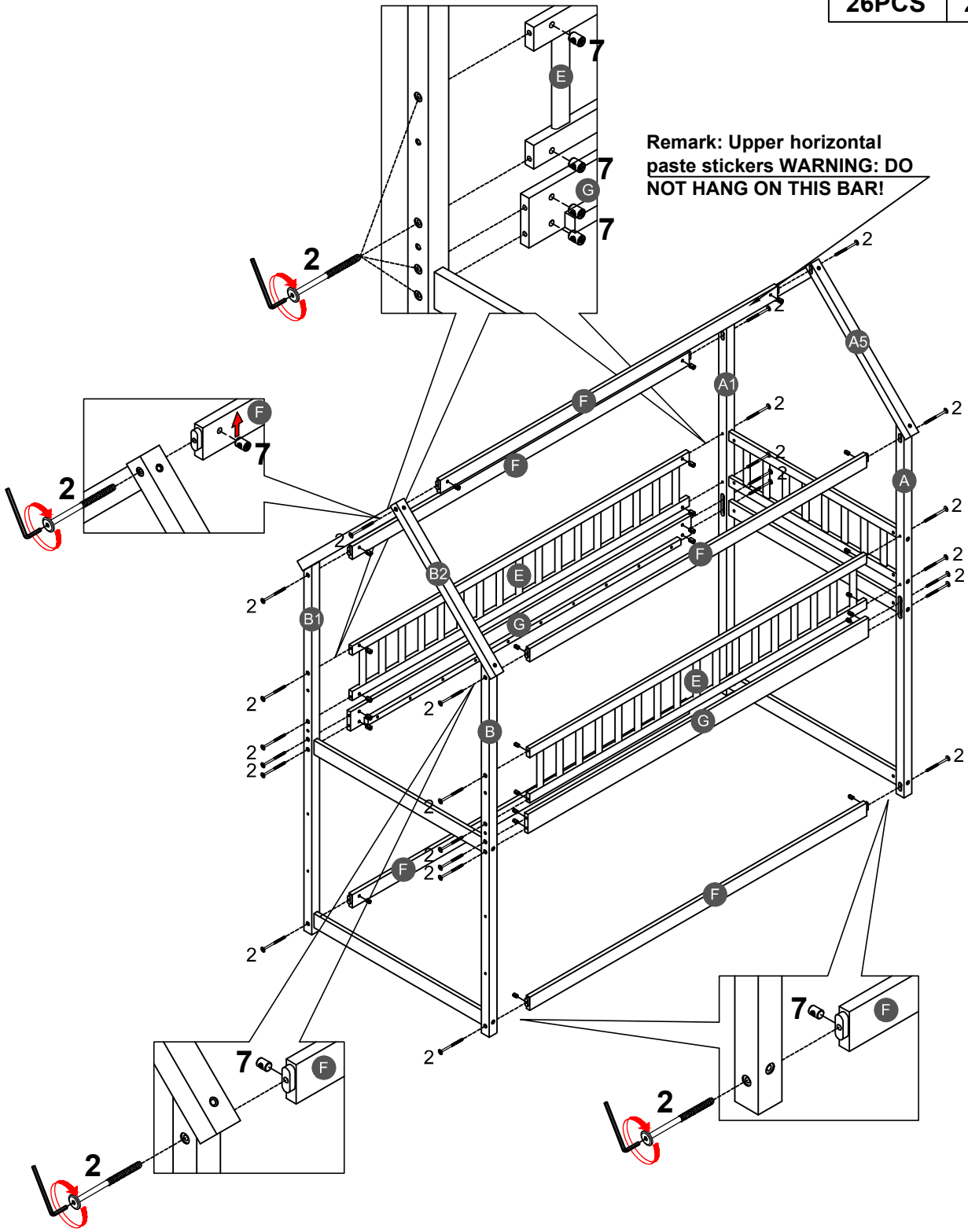
STEP 4:



8	
2PCS	


STEP 5:

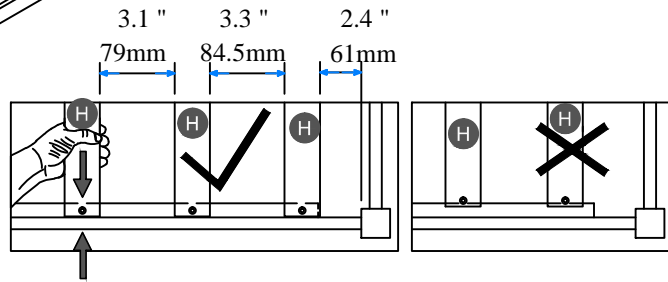
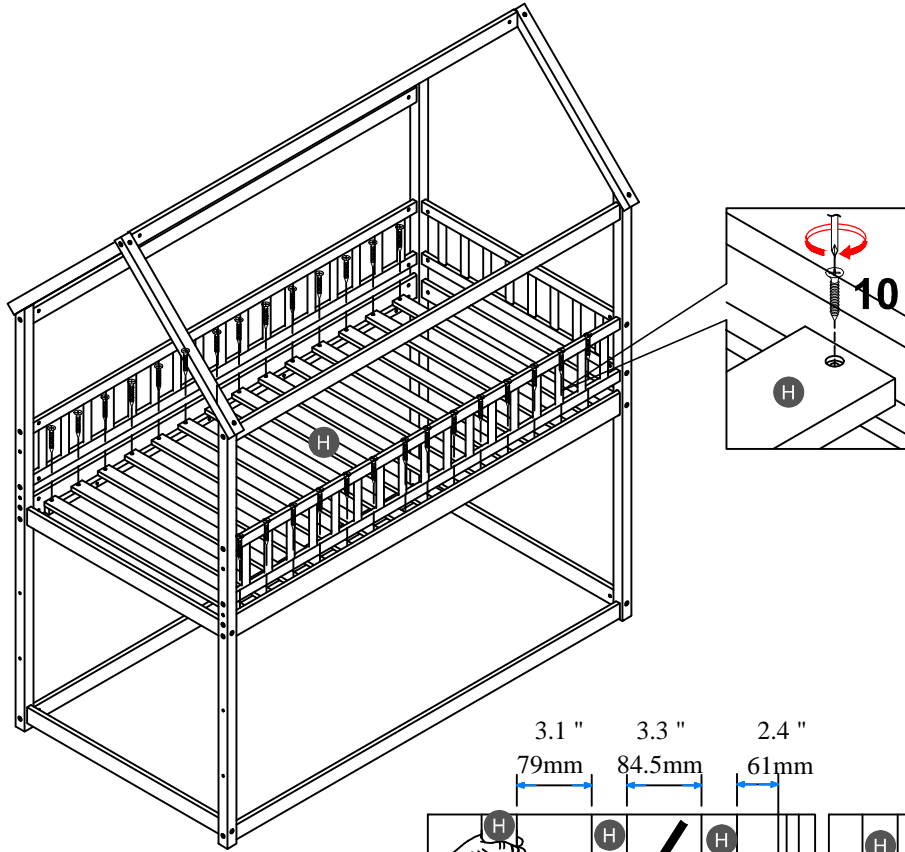
2		7	
26PCS		26PCS	



Remark: Upper horizontal
paste stickers **WARNING: DO
NOT HANG ON THIS BAR!**



STEP 6:

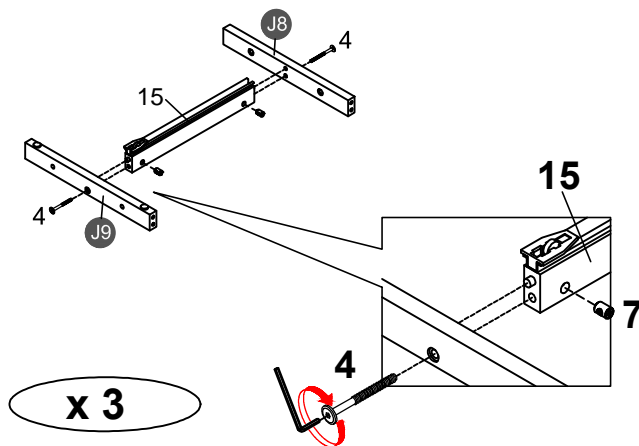
10	
28PCS	






NOTE: Please make sure the bed slats close to the side rail before locking the screws to avoid breakage. This step is required for both the left and right sides. Moreover, please do not lock the screws of the bed slats at the outermost edge to avoid damaging.

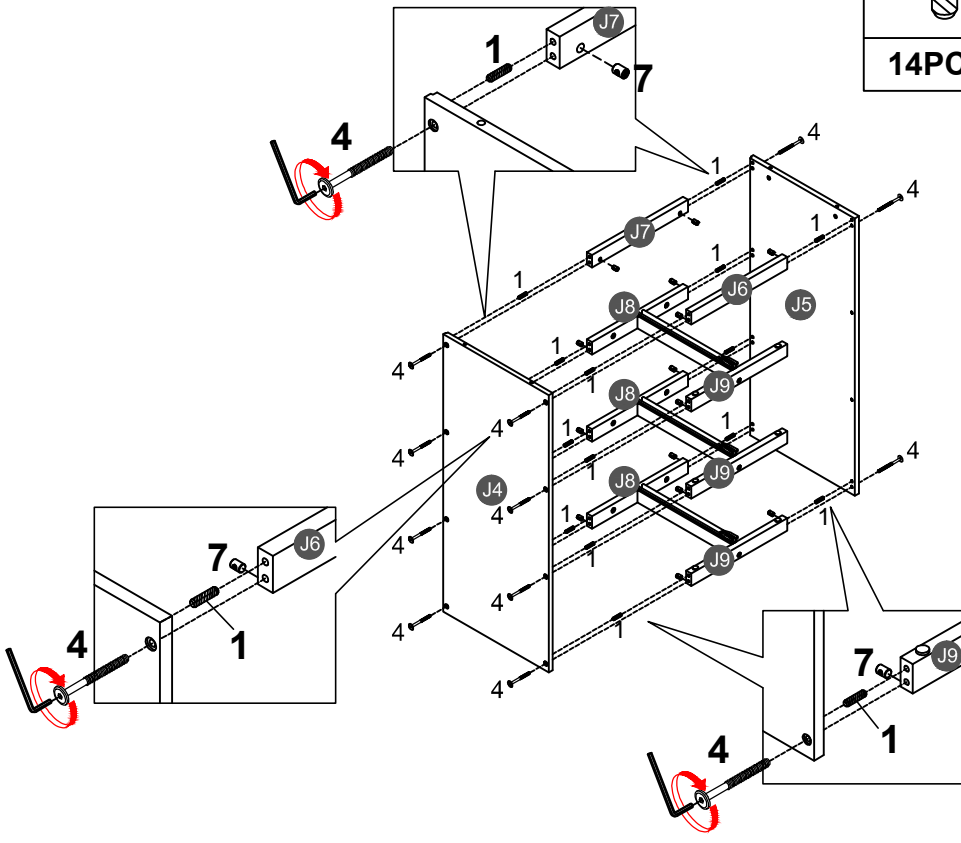
STEP 7:

4		7	
6PCS		6PCS	




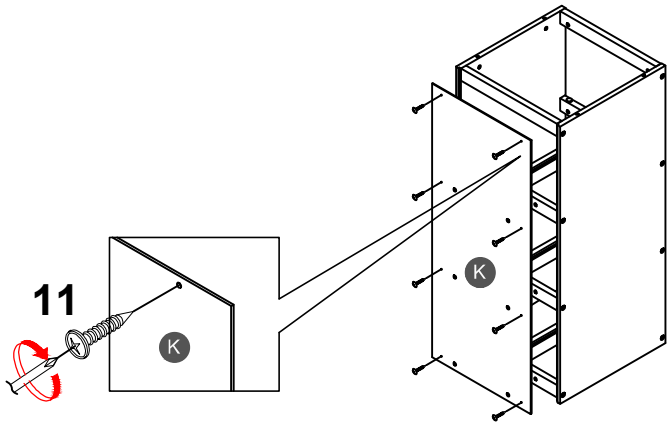
STEP 8:

1 	4 	7 
14PCS	14PCS	14PCS



STEP 9:

11 
8PCS

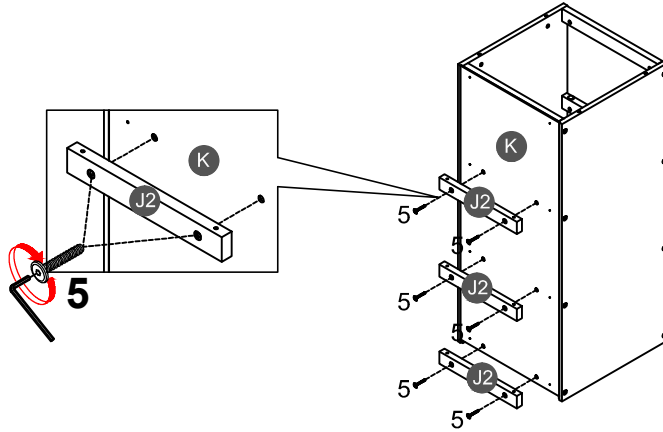


STEP 10:

5



6PCS



STEP 11:

4



6PCS

7

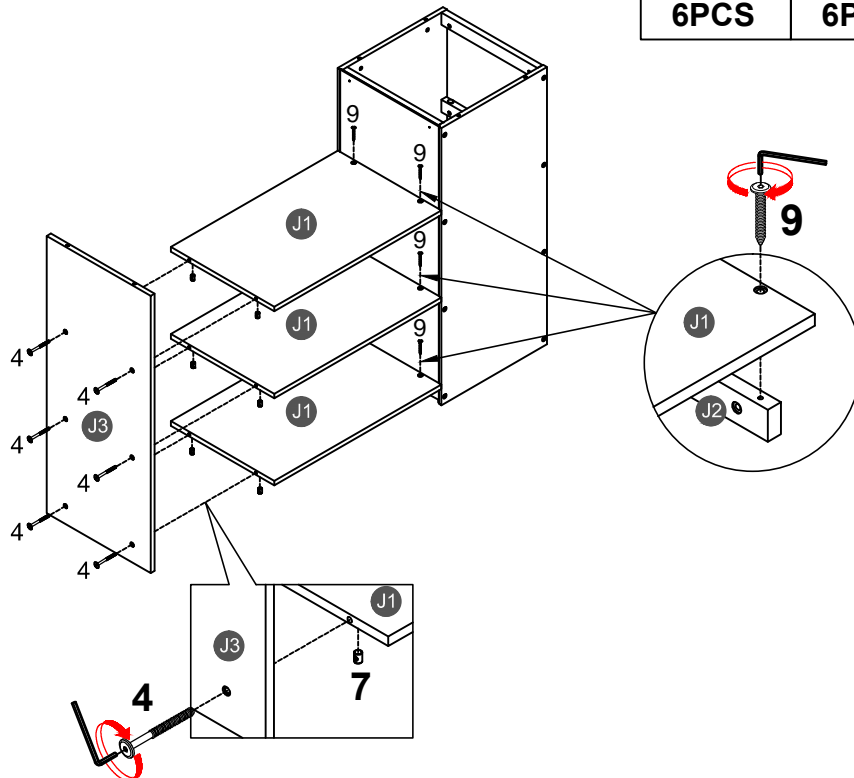


6PCS

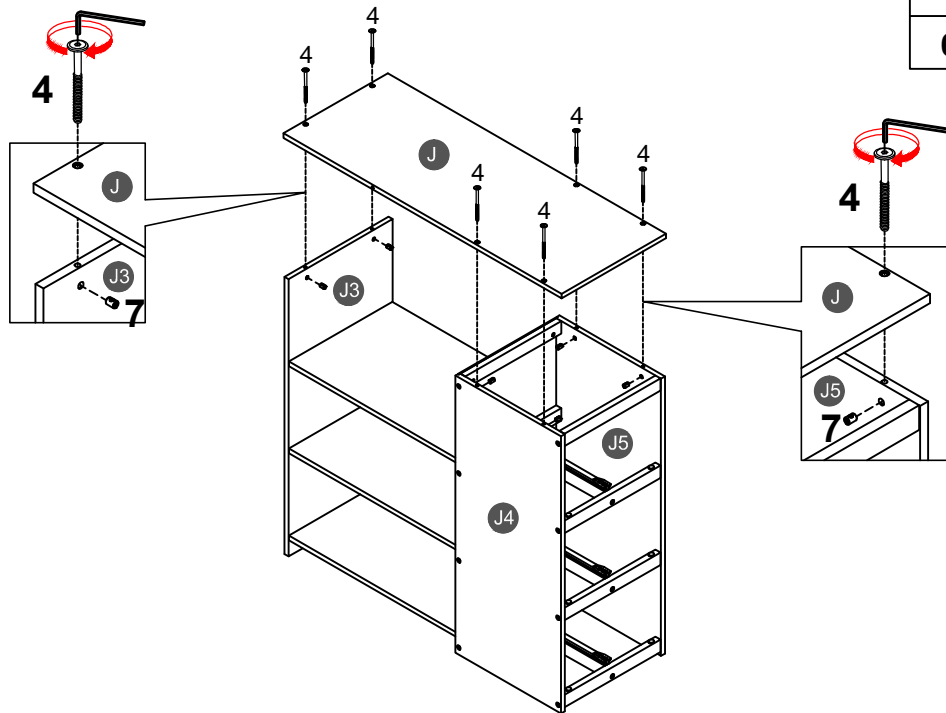
9





6PCS

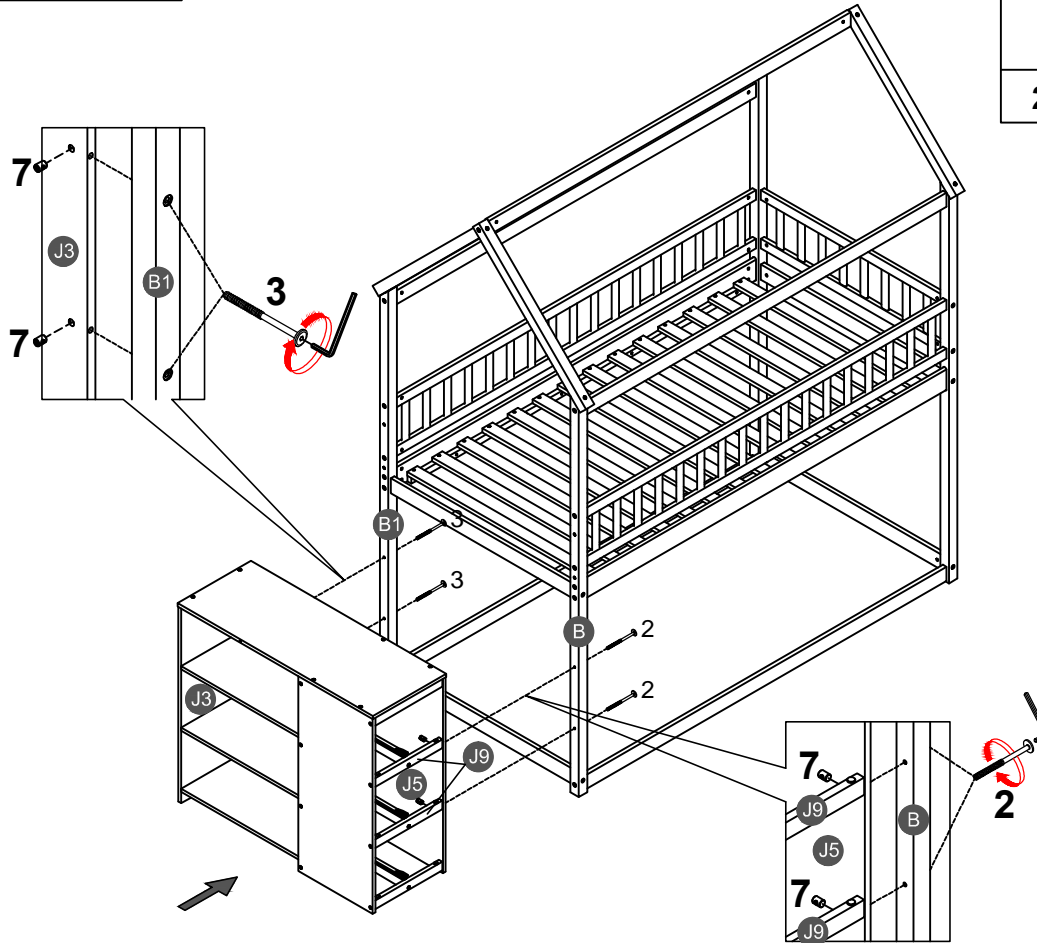





STEP 12:



4		7	
6PCS		6PCS	

STEP 13:



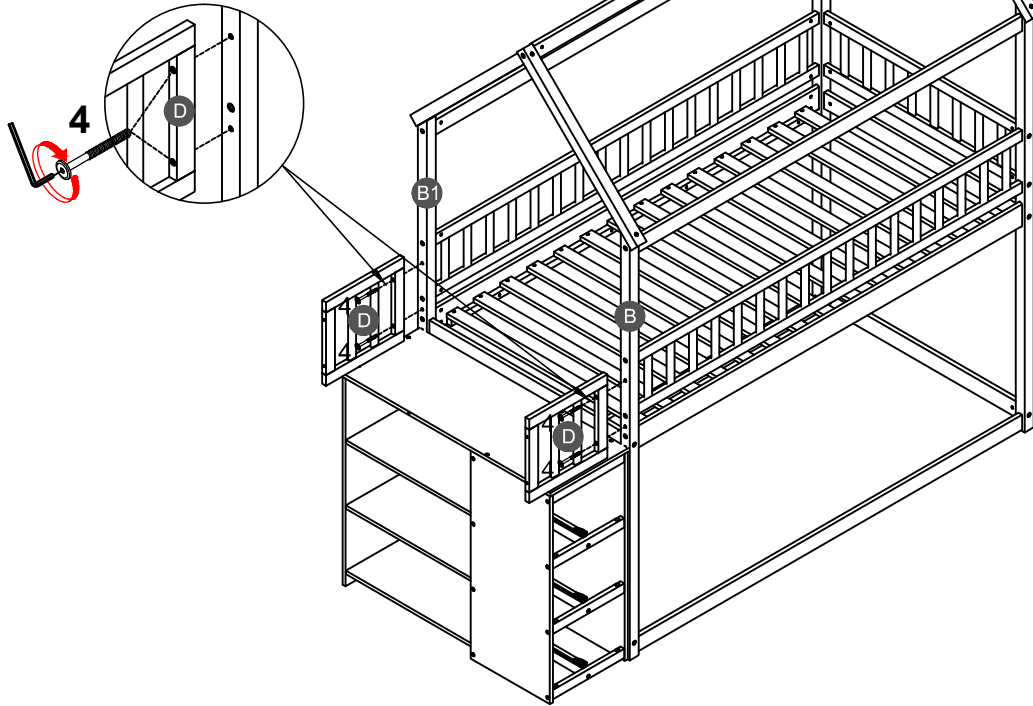
2		3	
2PCS		2PCS	
		7	
		4PCS	

STEP 14:

4



4PCS



STEP 15:

4

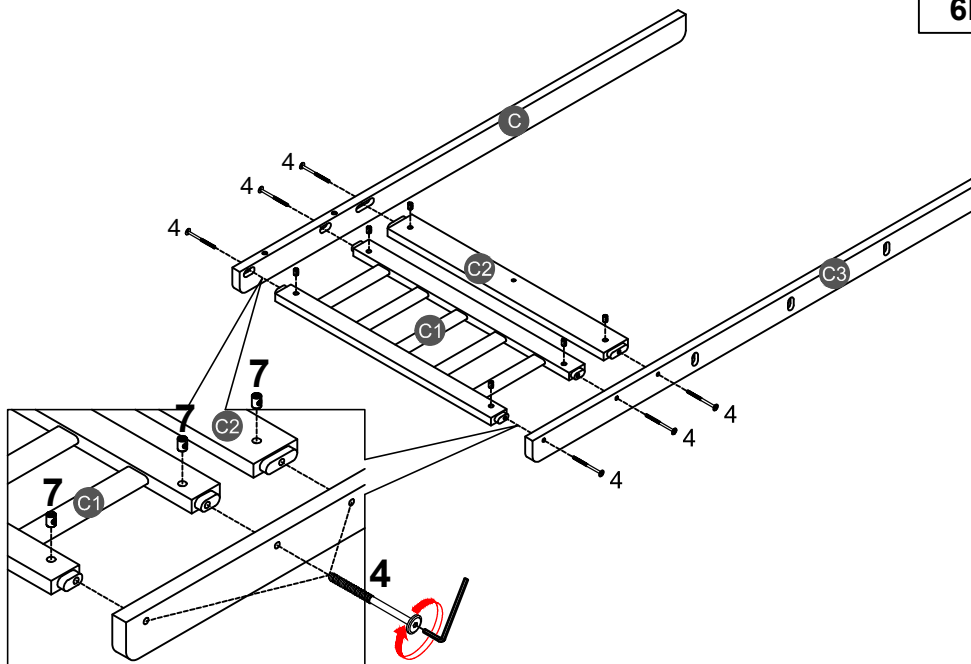


6PCS

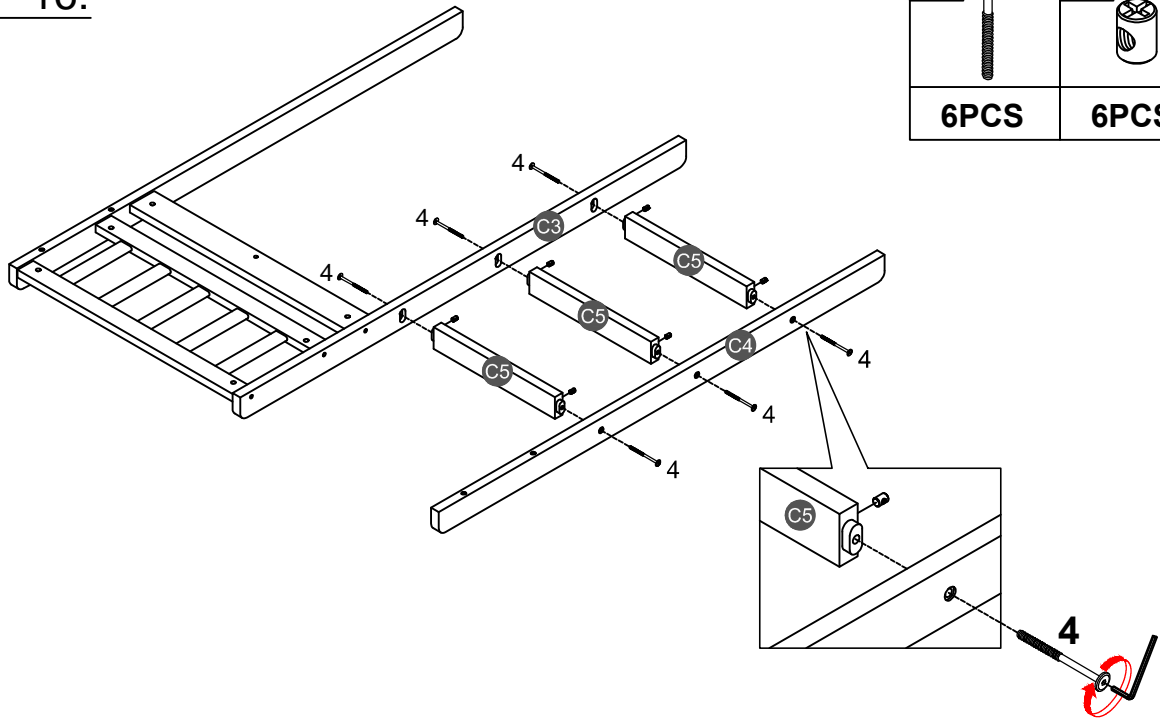
7



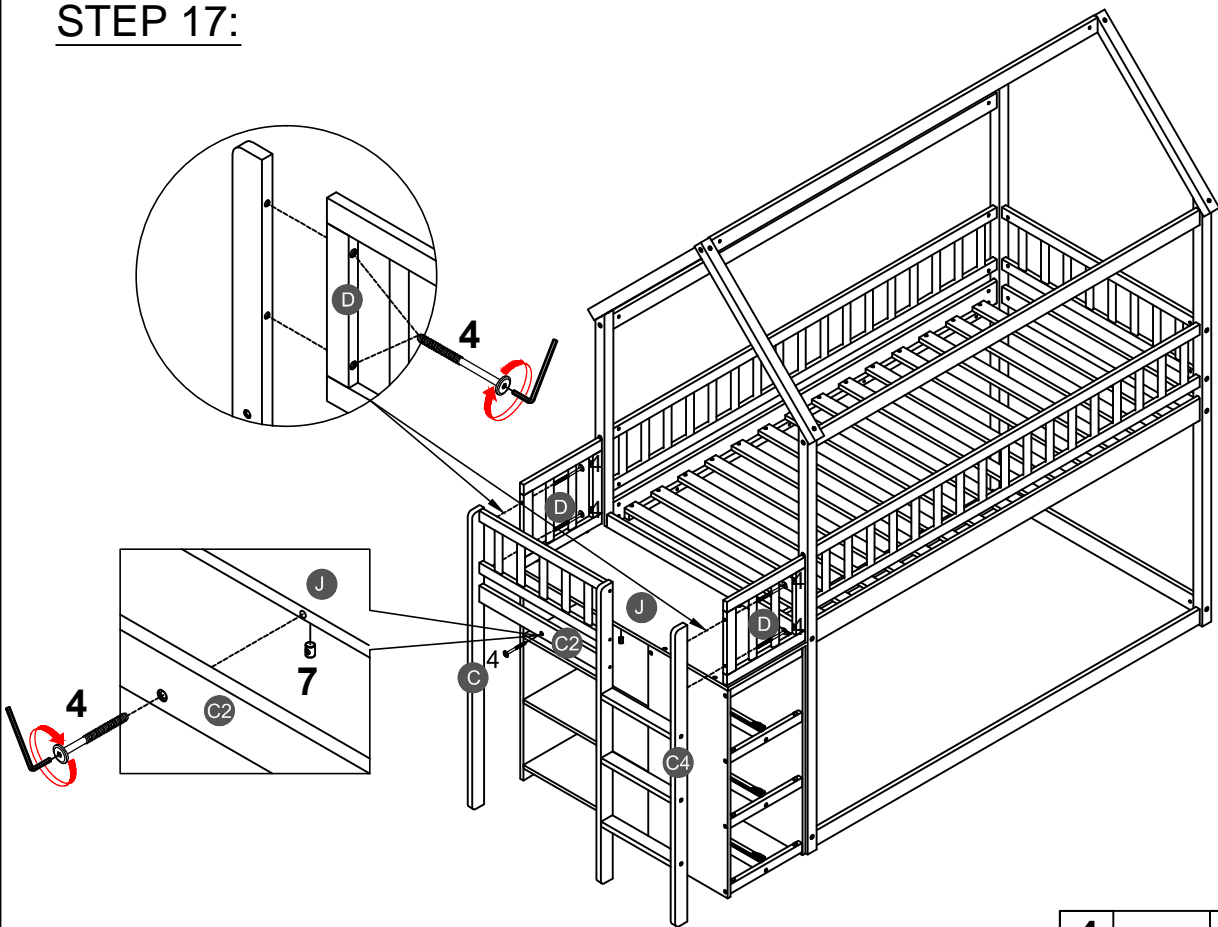
6PCS




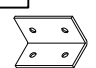
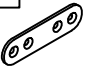
STEP 16:

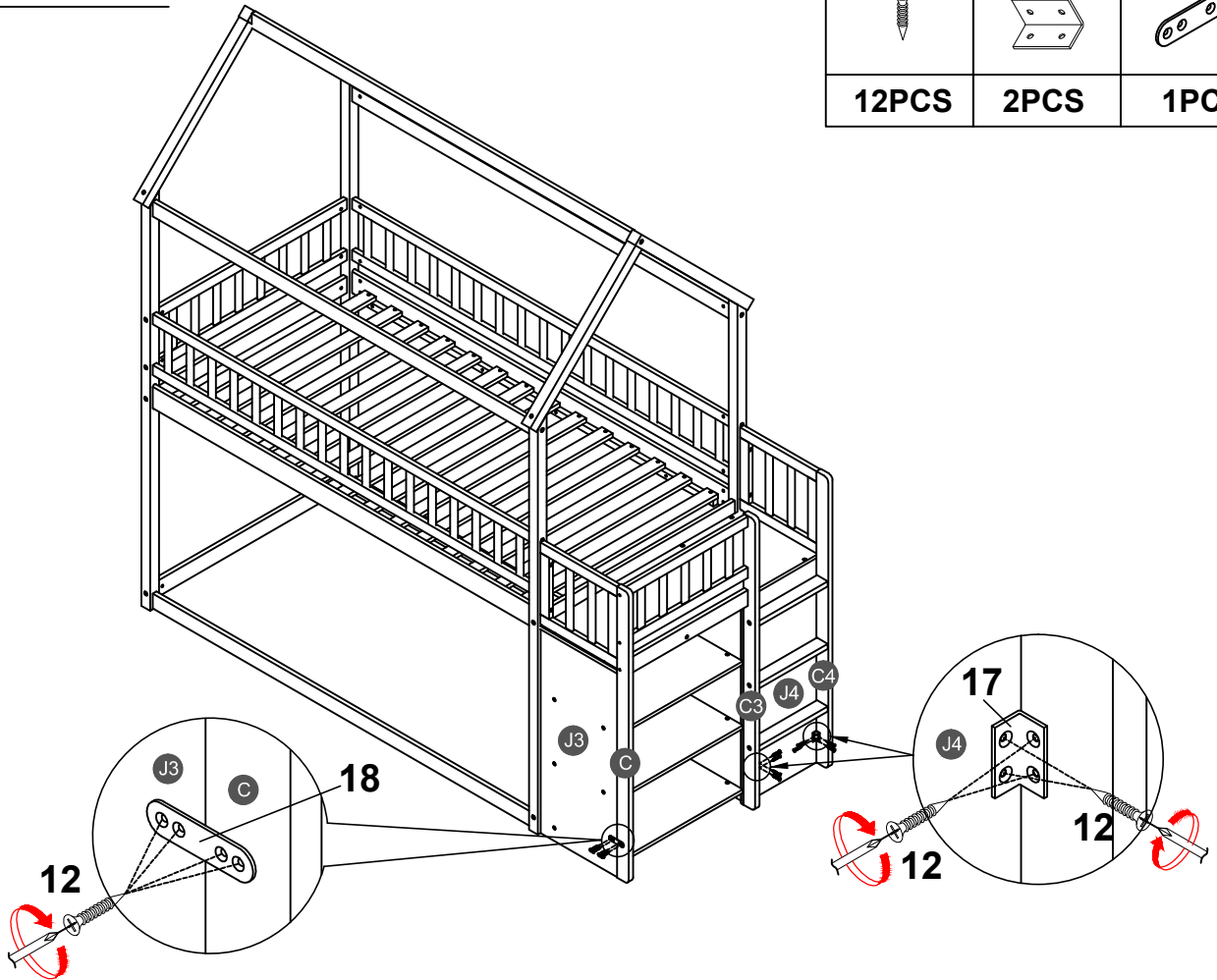


STEP 17:






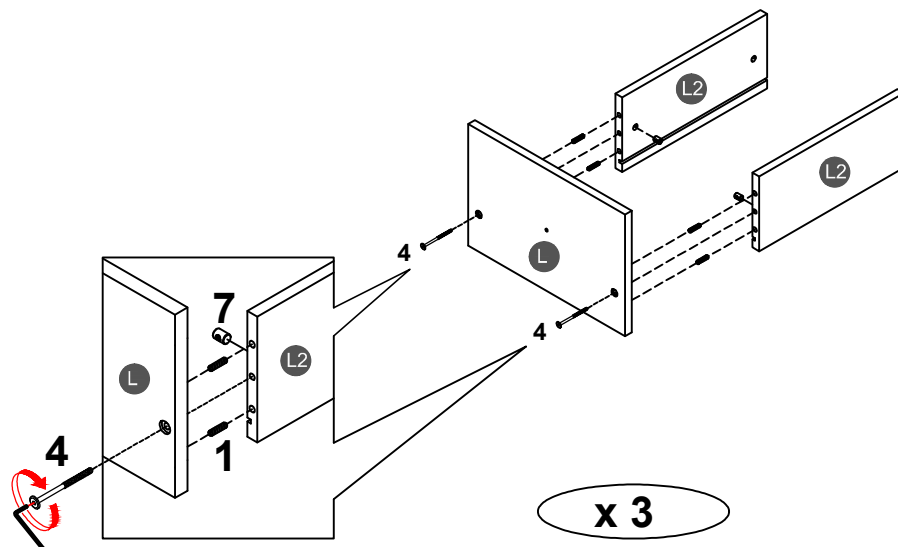
STEP 18:

12 	17 	18 
12PCS	2PCS	1PC

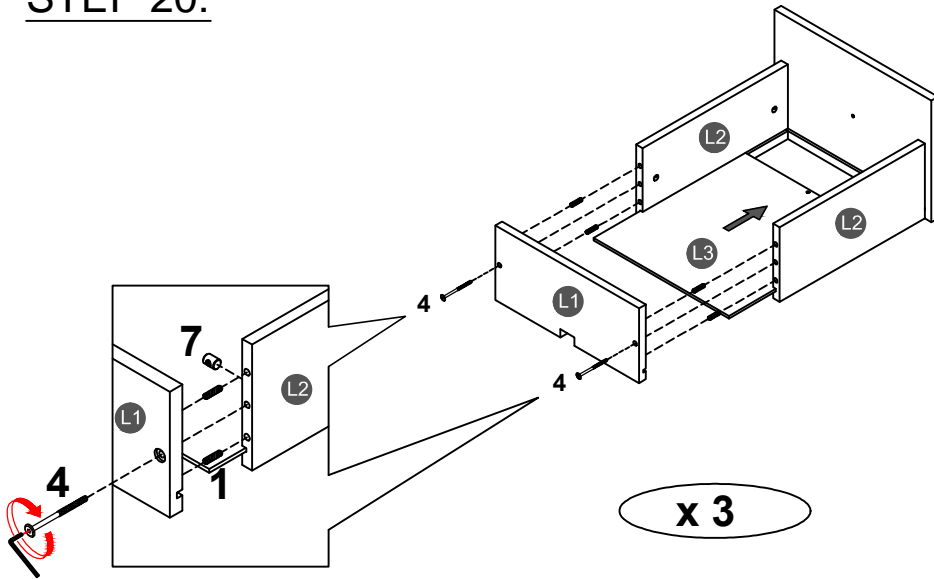





STEP 19:

1 	4 
12PCS	6PCS
	7 
	6PCS

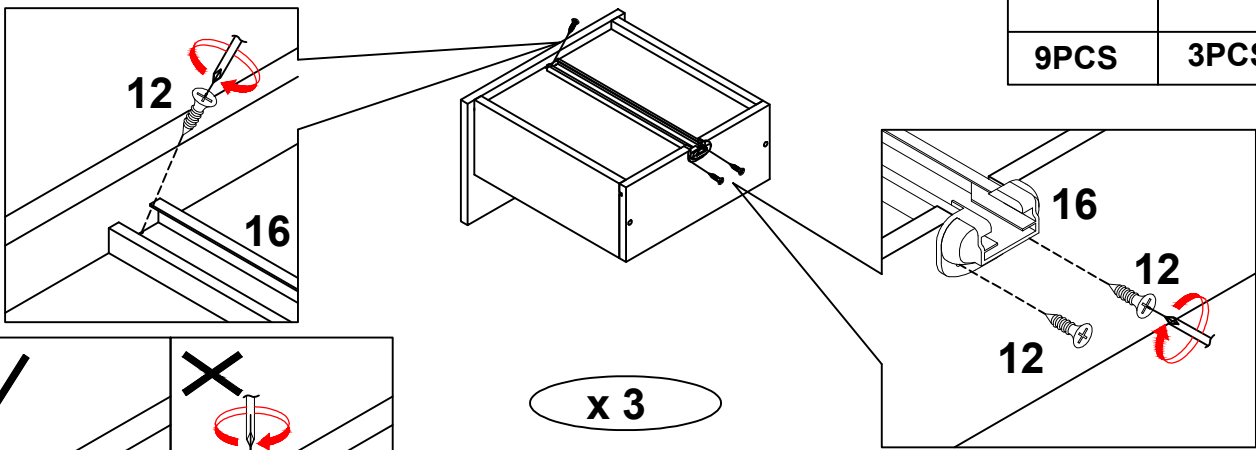




STEP 20:

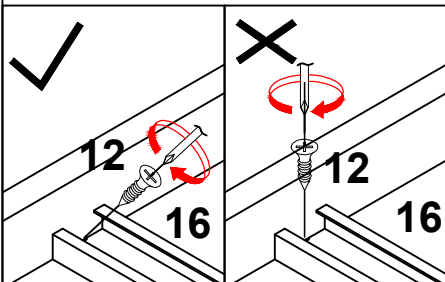


1		4	
12PCS		6PCS	
		7	
6PCS			

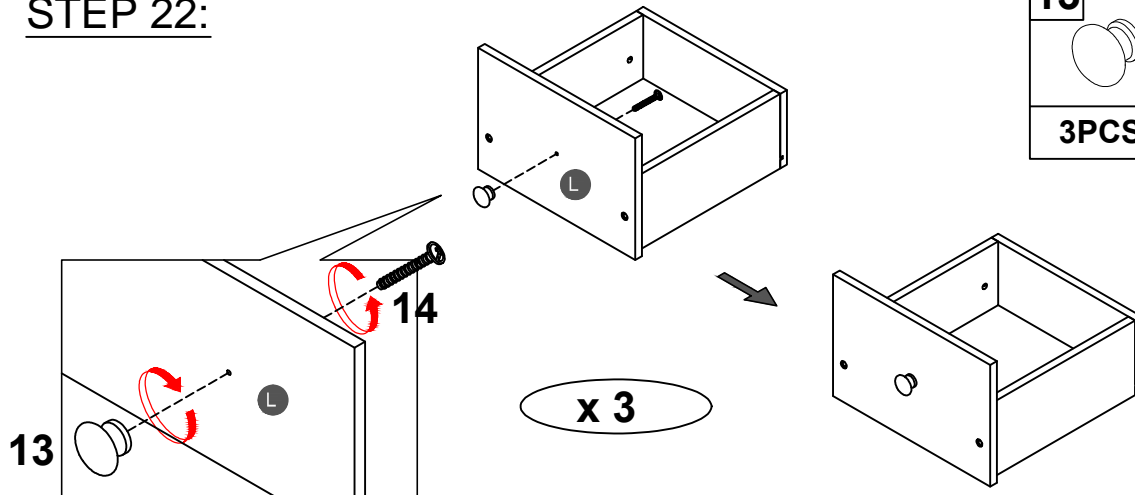
STEP 21:

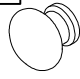



12		16	
9PCS		3PCS	

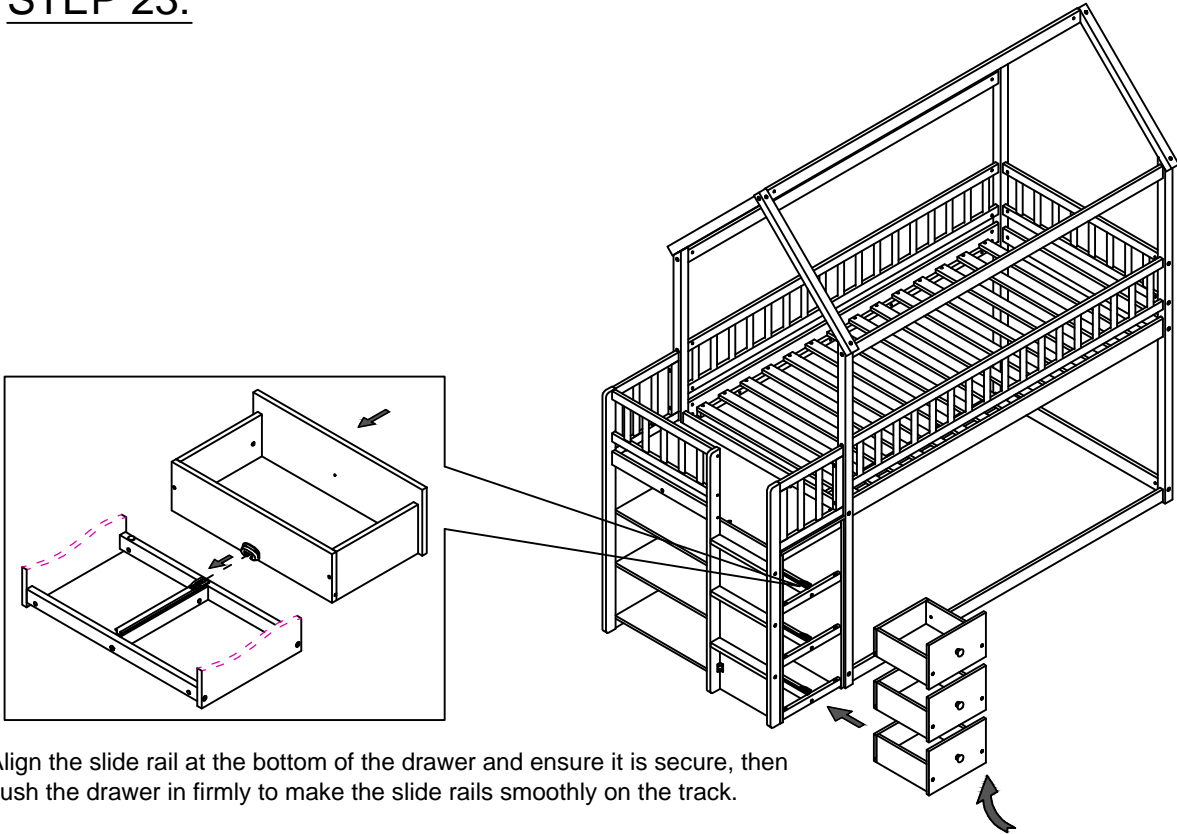


STEP 22:

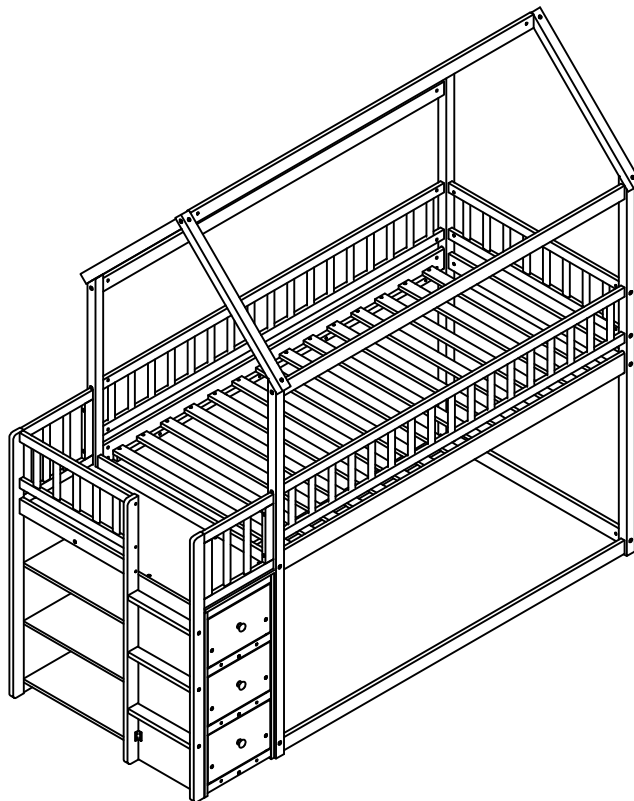
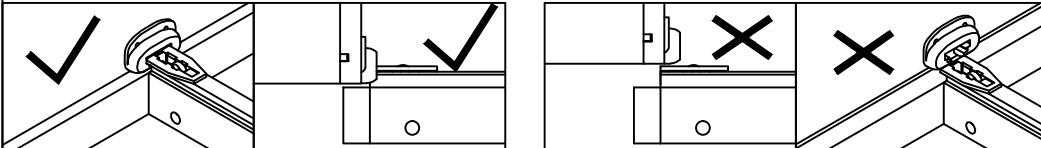


13		14	
3PCS		3PCS	

STEP 23:



Align the slide rail at the bottom of the drawer and ensure it is secure, then push the drawer in firmly to make the slide rails smoothly on the track.



Make sure to tighten all the screws of the bed.