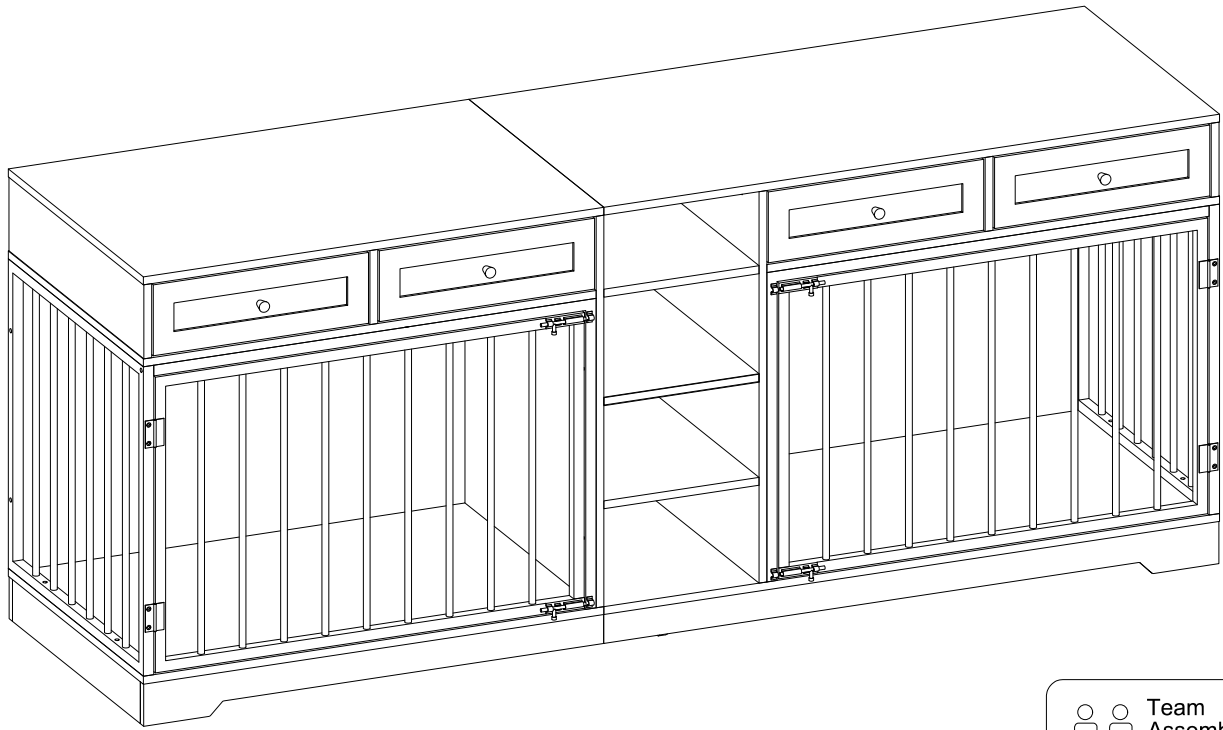



SPU : PHO 16MO

LOT NO.: YB-NO.3

Pet cabinet Installation Manual



 Team Assembly Recommended

Trouble shooting:

Missing / Wrong / Broken parts and installation issues



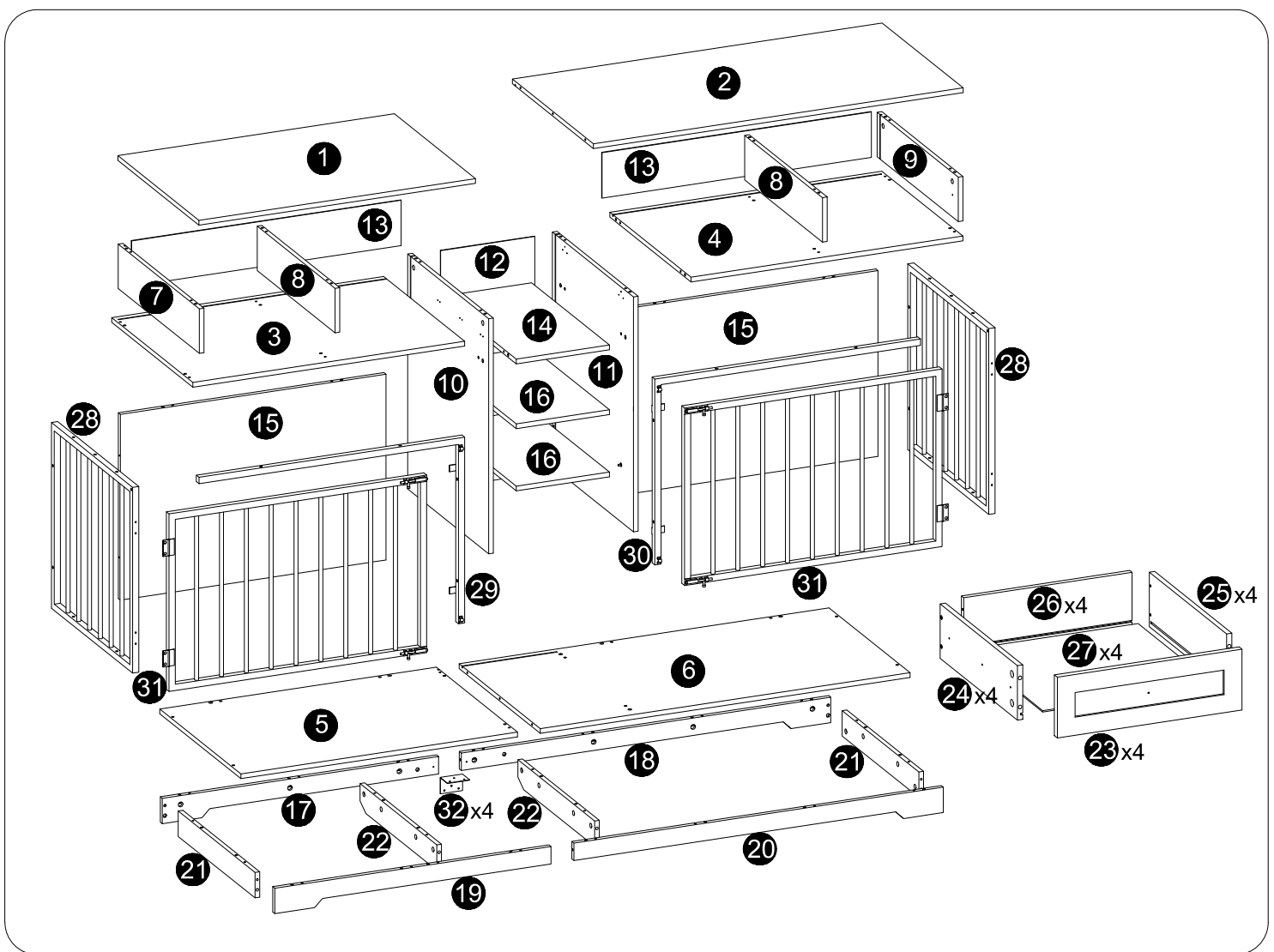
Send email with your question, pic and order NO. to ***service2003@yeah.net***
















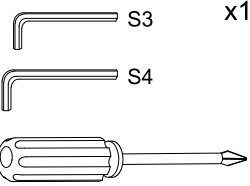
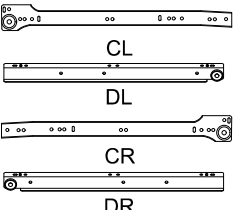

Respond within 24 hours





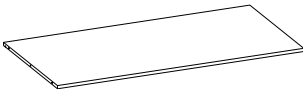
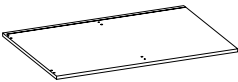
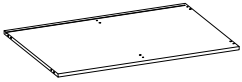
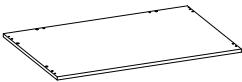

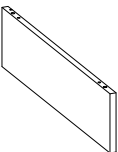
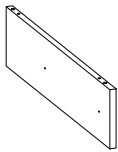
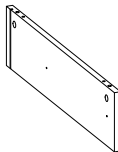
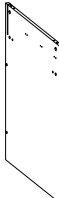


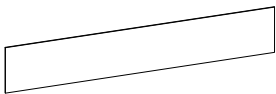
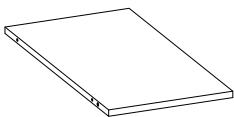
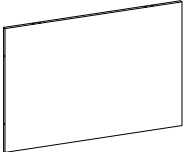
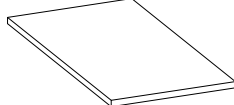
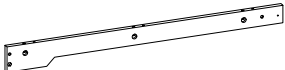



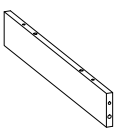
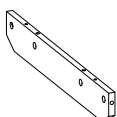
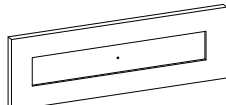
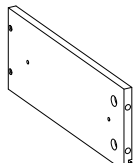
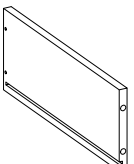
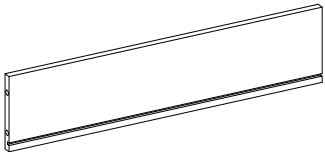
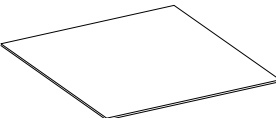
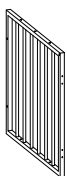
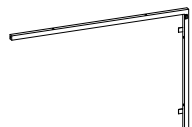
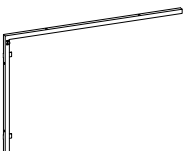
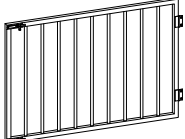
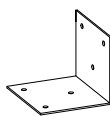
Issue resolved







Screws & Tools

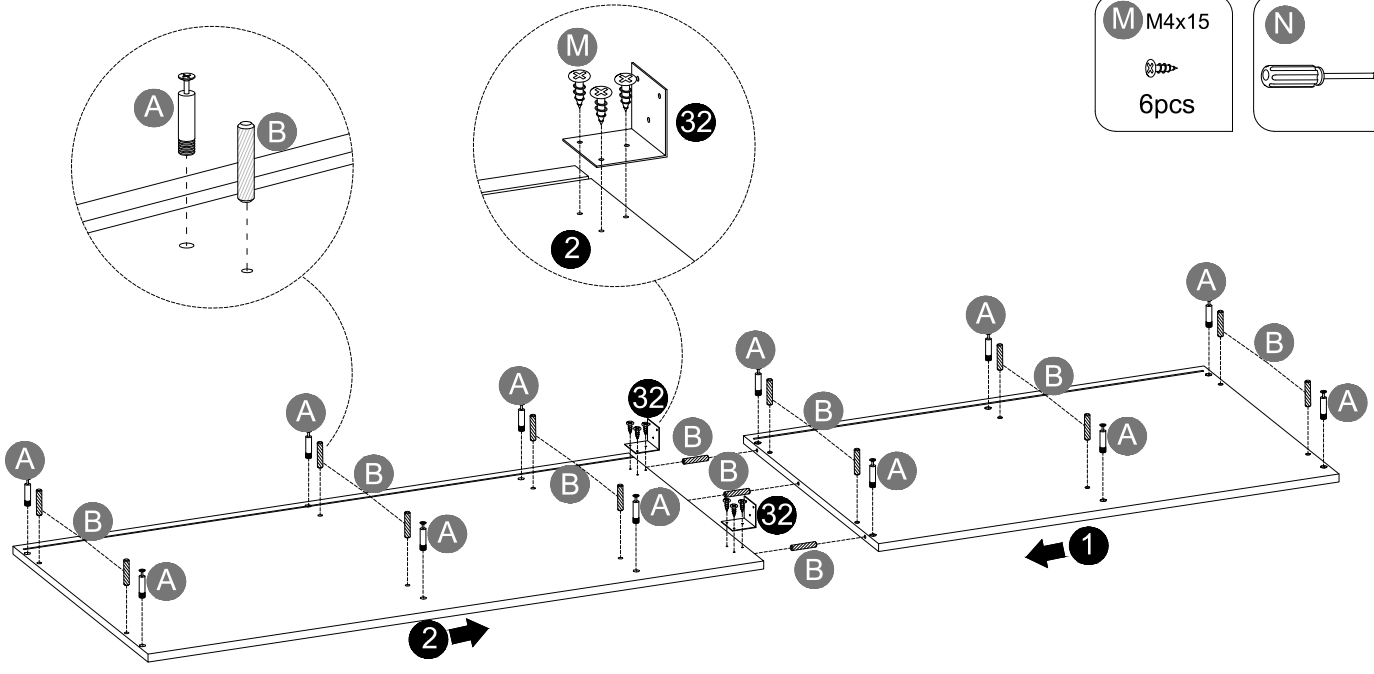
A  x74+7 M6x35	B  x74+7 Ø8x30	C  x58+5 Ø15x12	D  x10+1 M6x28
E  x4 M5x48	F  x32+3 M5x38	G  x48+4 M3x12	H  x4 M6x28
I  x16+1 Ø15x10	J  x4 M4x10	K  x8 M4x10	L  x8 Ø5*10/10
M  x20+2 M4x15	N  S3 x1 S4 x1	O  x4 CL DL CR DR	P  x4 M6x28

Componets 

1 x1 	2 x1 	3 x1 	4 x1 
5 x1 	6 x1 	7 x1 	8 x2 
9 x1 	10 x1 	11 x1 	12 x1 
13 x2 	14 x1 	15 x2 	16 x2 
17 x1 	18 x1 	19 x1 	20 x1 
21 x2 	22 x2 	23 x4 	24 x4 
25 x4 	26 x4 	27 x4 	28 x2 
29 x1 	30 x1 	31 x2 	32 x4 

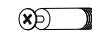


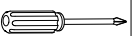
Step 1

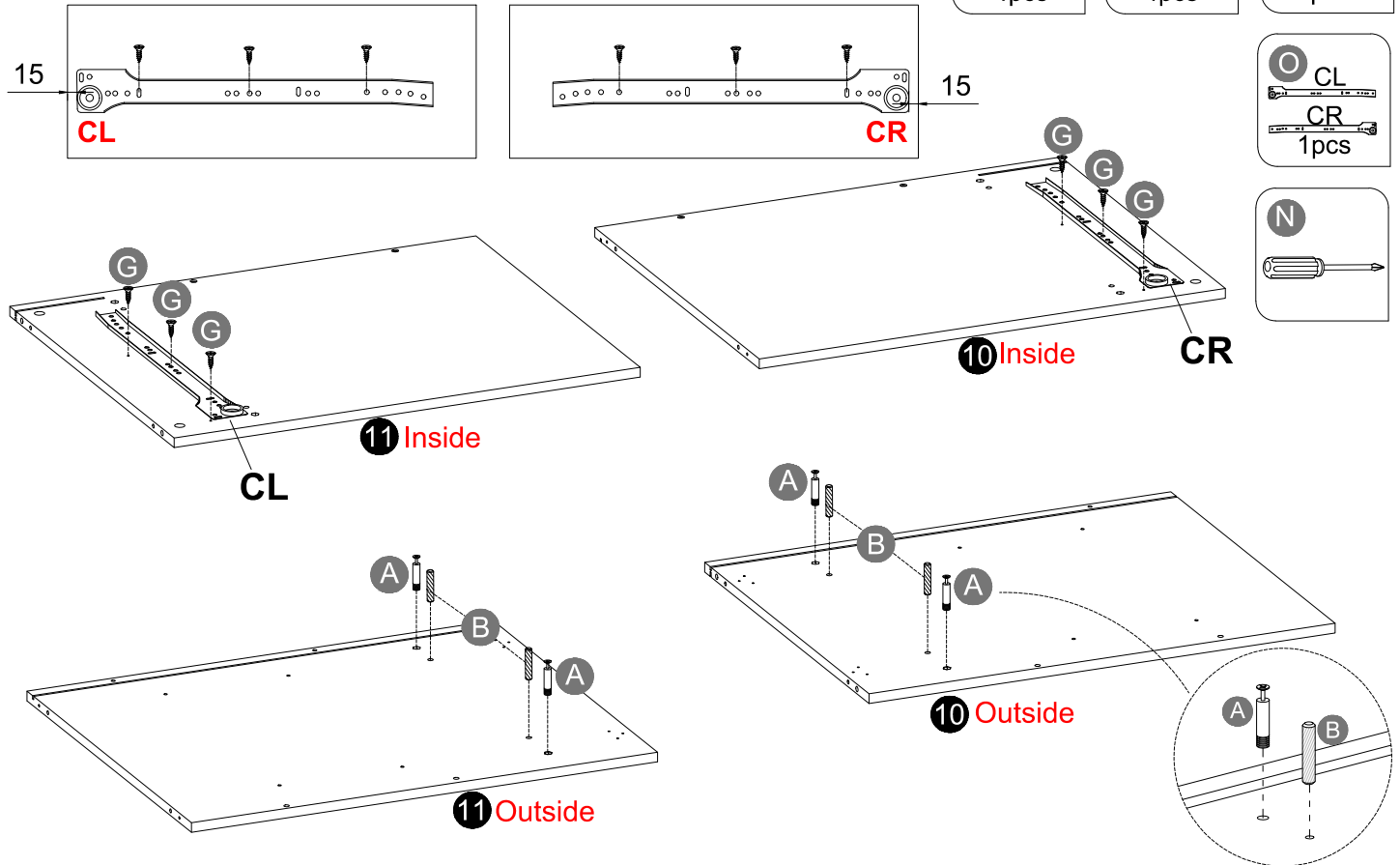
- A** M6x35

 12pcs
- B** Ø8x30

 15pcs
- M** M4x15

 6pcs
- N**




Step 2

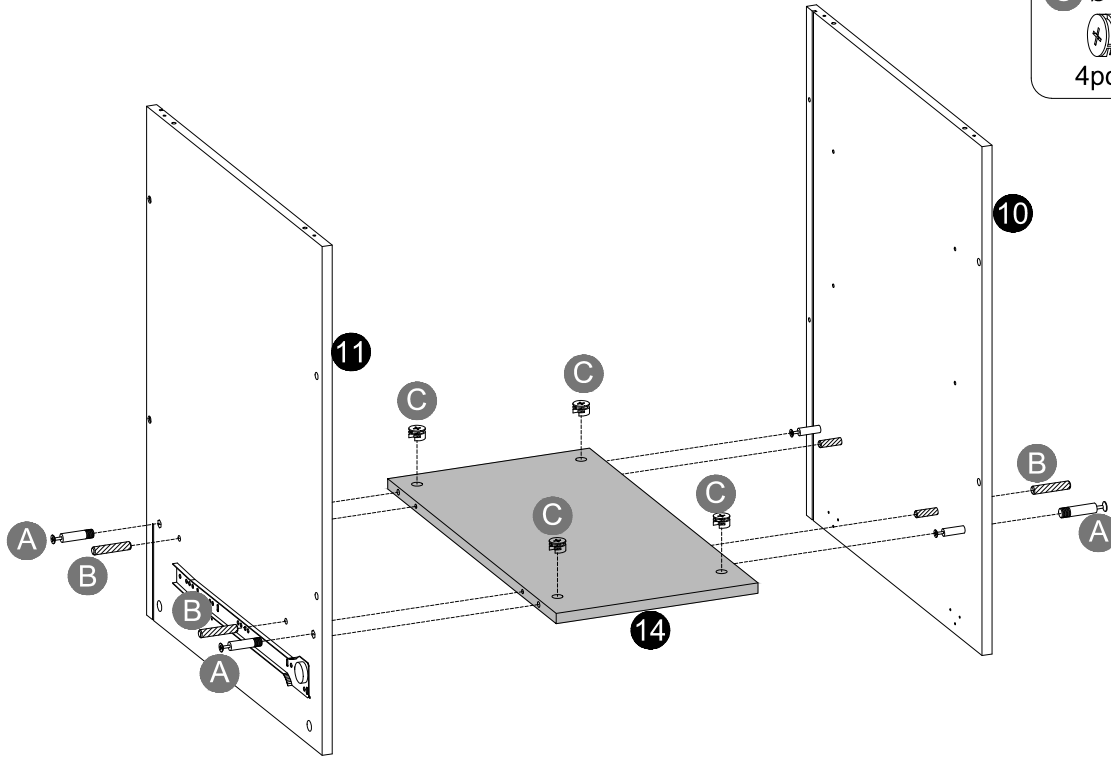
CL and CR are stencil printed on the guide rail.

- A** M6x35

 4pcs
- B** Ø8x30

 4pcs
- G** M3x12

 6pcs
- O** CL
CR
 1pcs
- N**




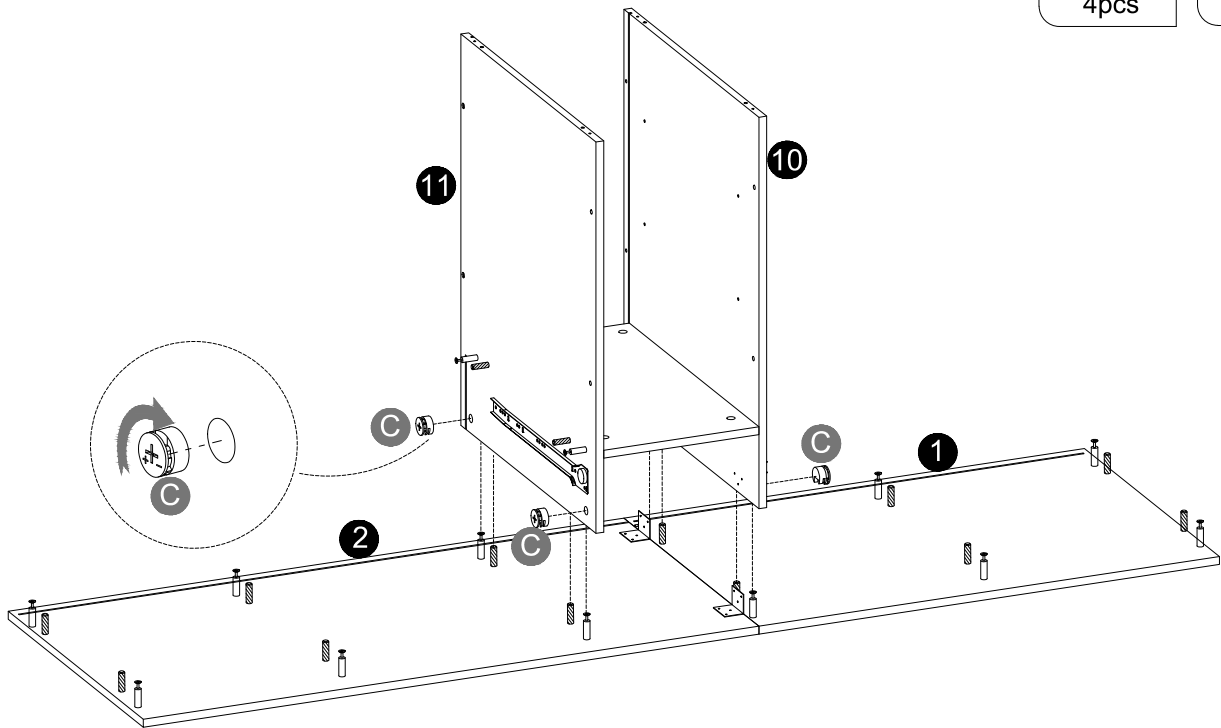
Step 3

- A** M6x35
4pcs
- B** Ø8x30
4pcs
- C** Ø15x12
4pcs
- N**
Screwdriver



Step 4

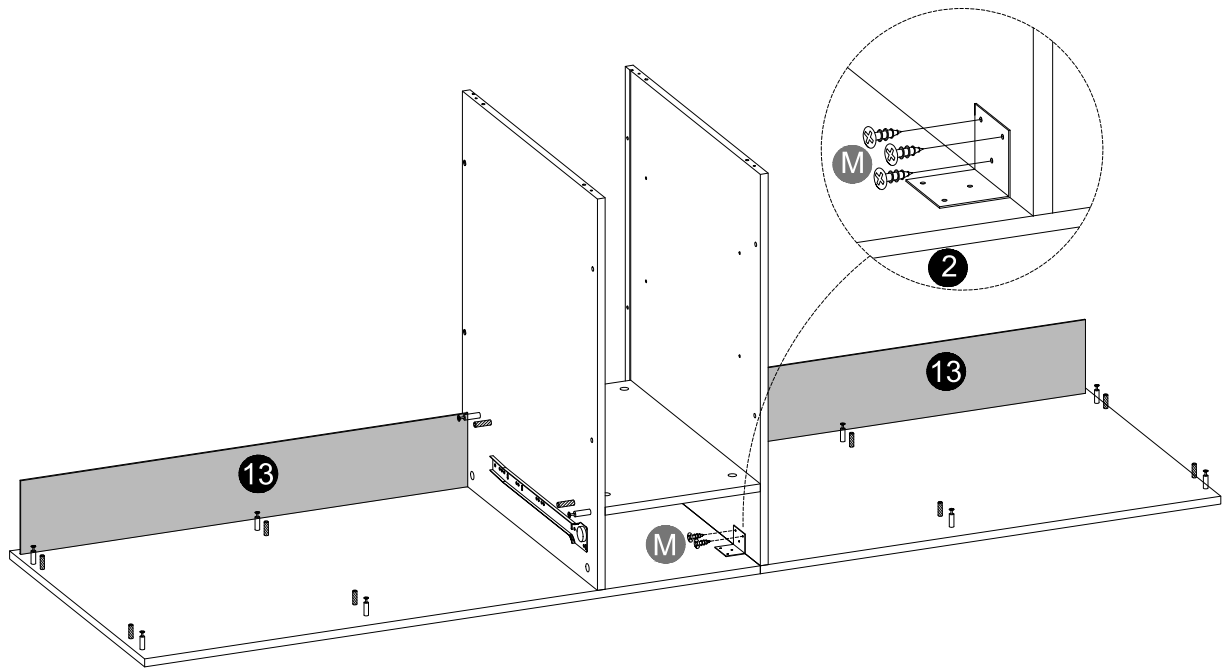
- C** Ø15x12
4pcs
- N**
Screwdriver



Step 5

M M4x15
6pcs

N

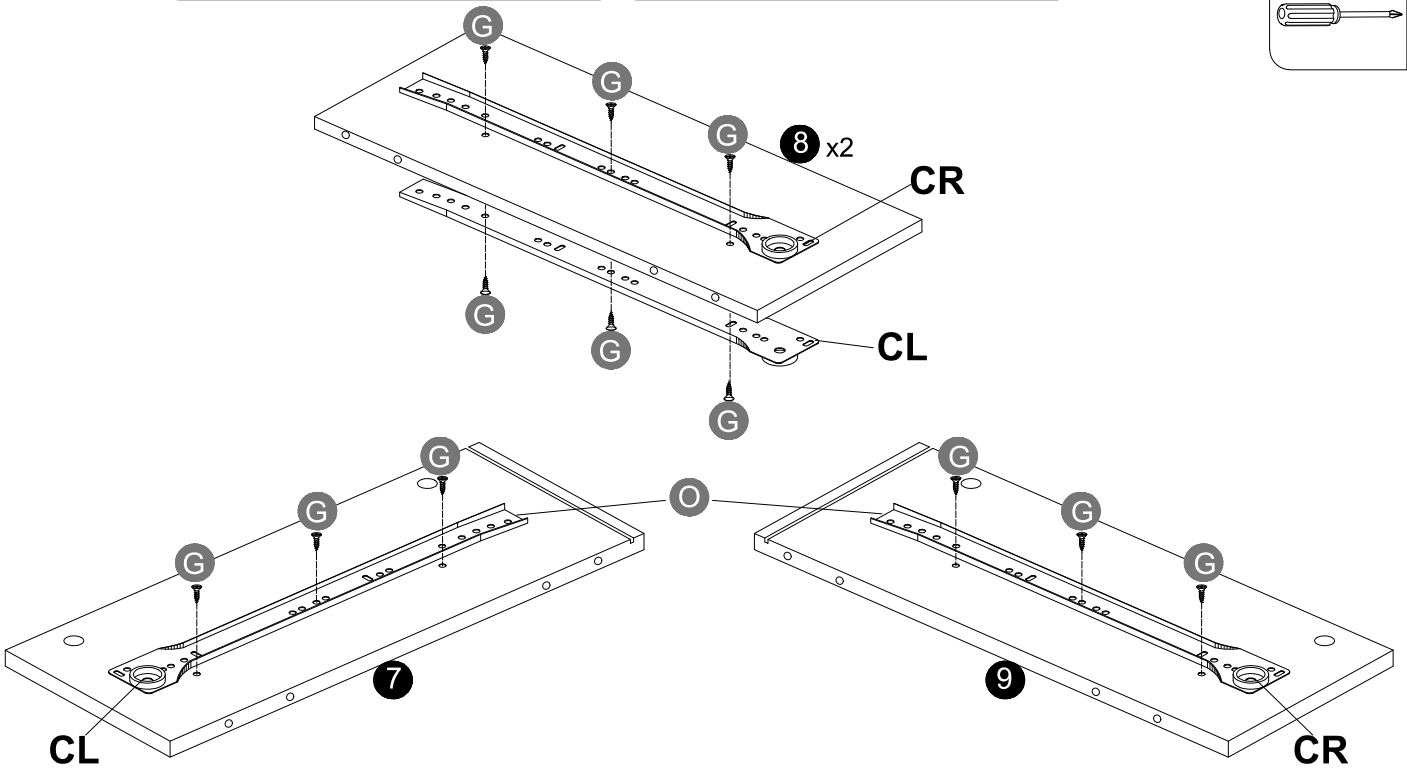
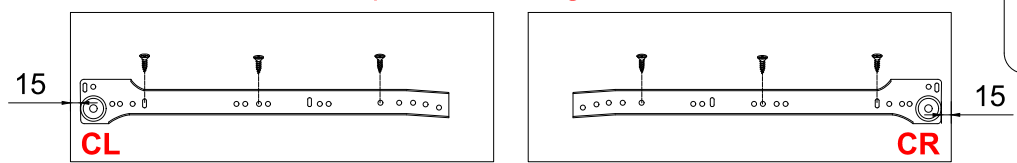


Step 6 CL and CR are stencil printed on the guide rail.

G M3x12
18pcs

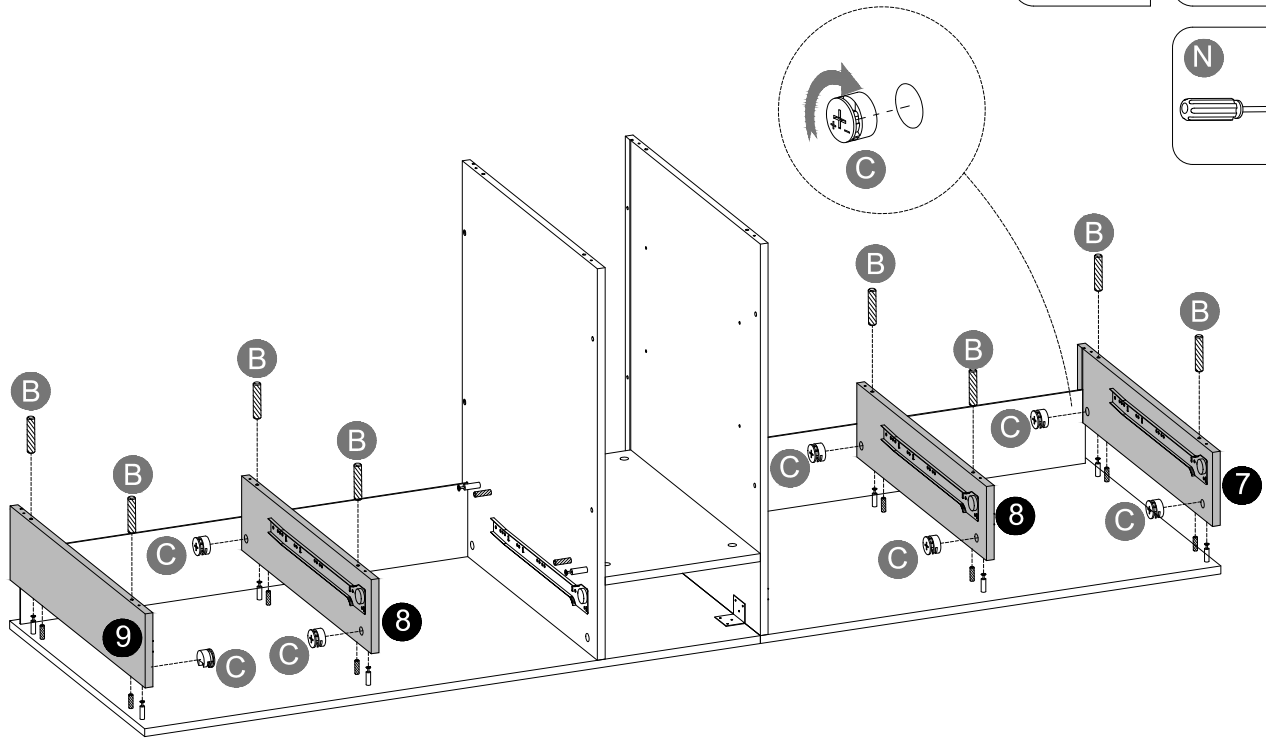
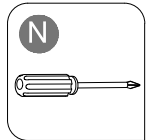
O CL
CR
3pcs

N



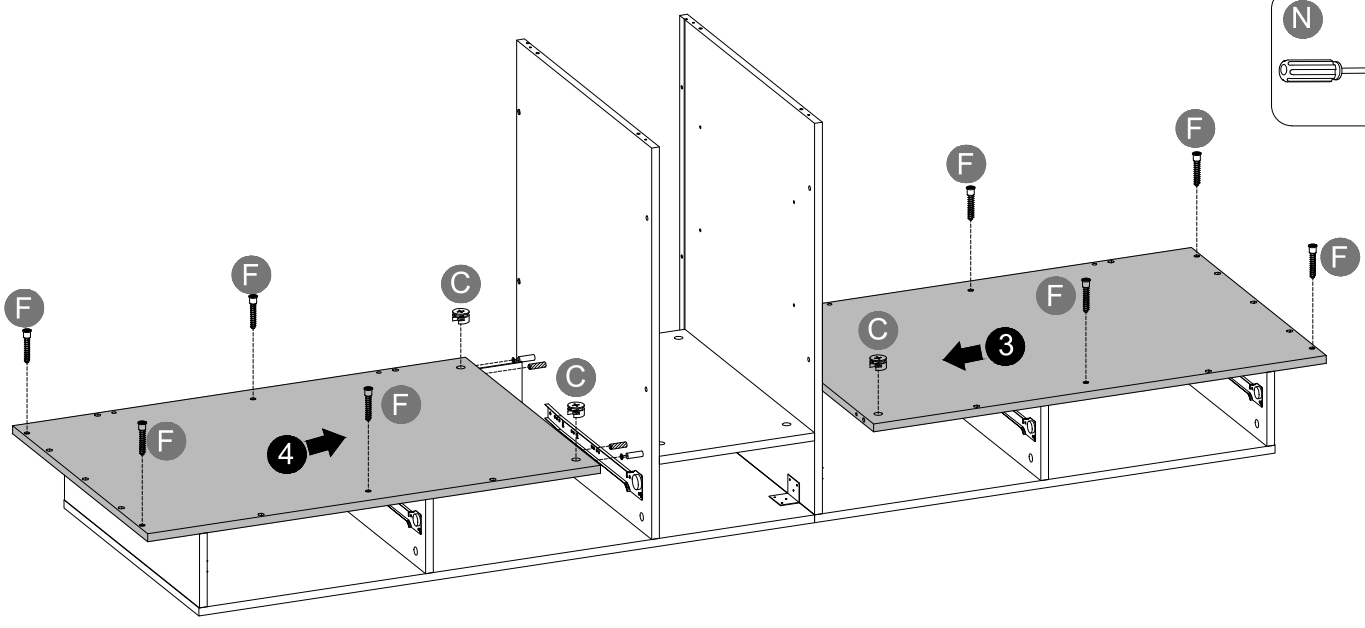
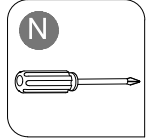
Step 7

- B** Ø8x30
8pcs
- C** Ø15x12
8pcs

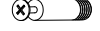



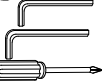


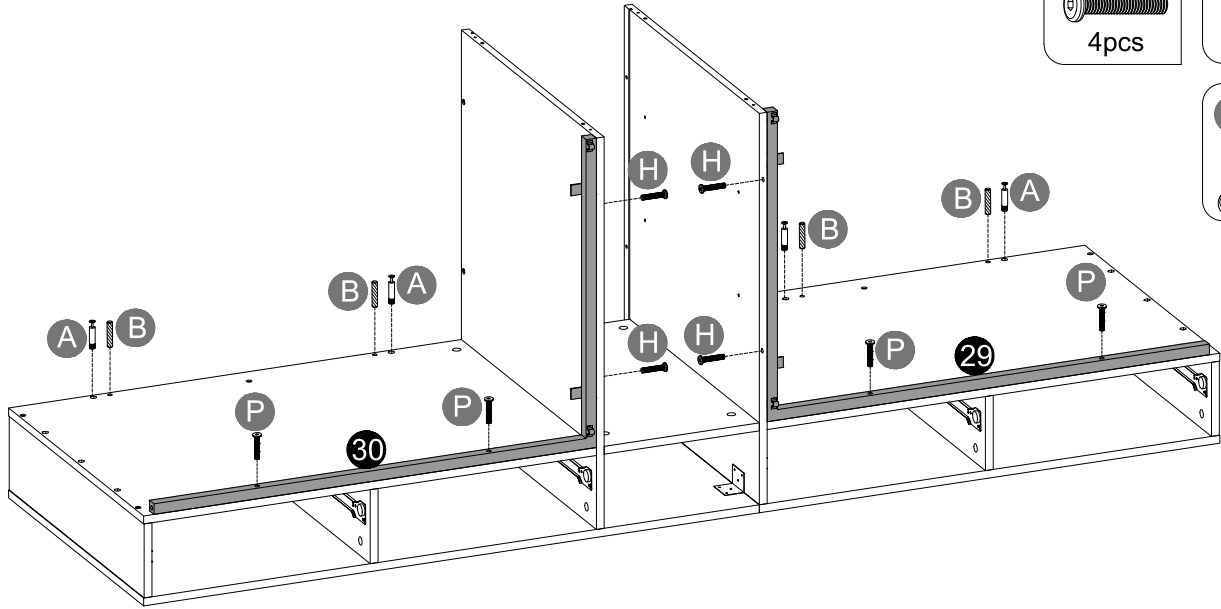
Step 8

- C** Ø15x12
4pcs
- F** M5x38
8pcs





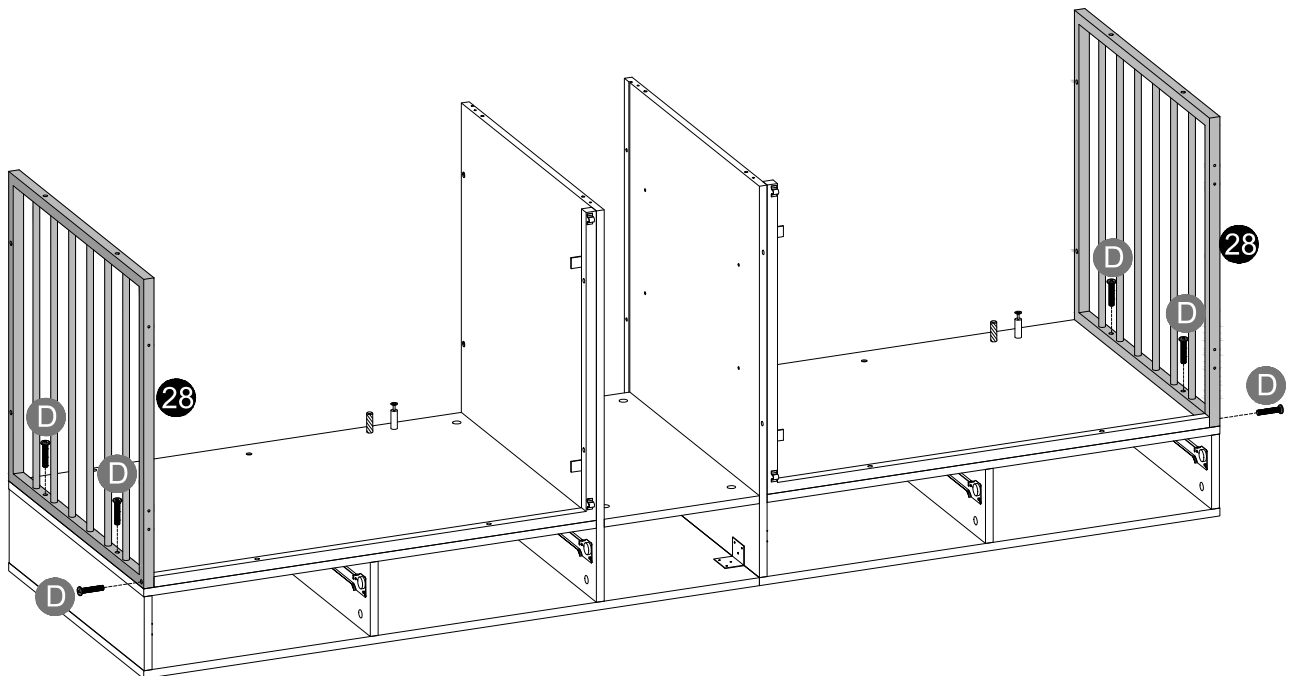
Step 9

- A** M6x35

4pcs
- B** Ø8x30

4pcs
- H** M6x28

4pcs
- P** M6x28

4pcs
- N** S3 S4


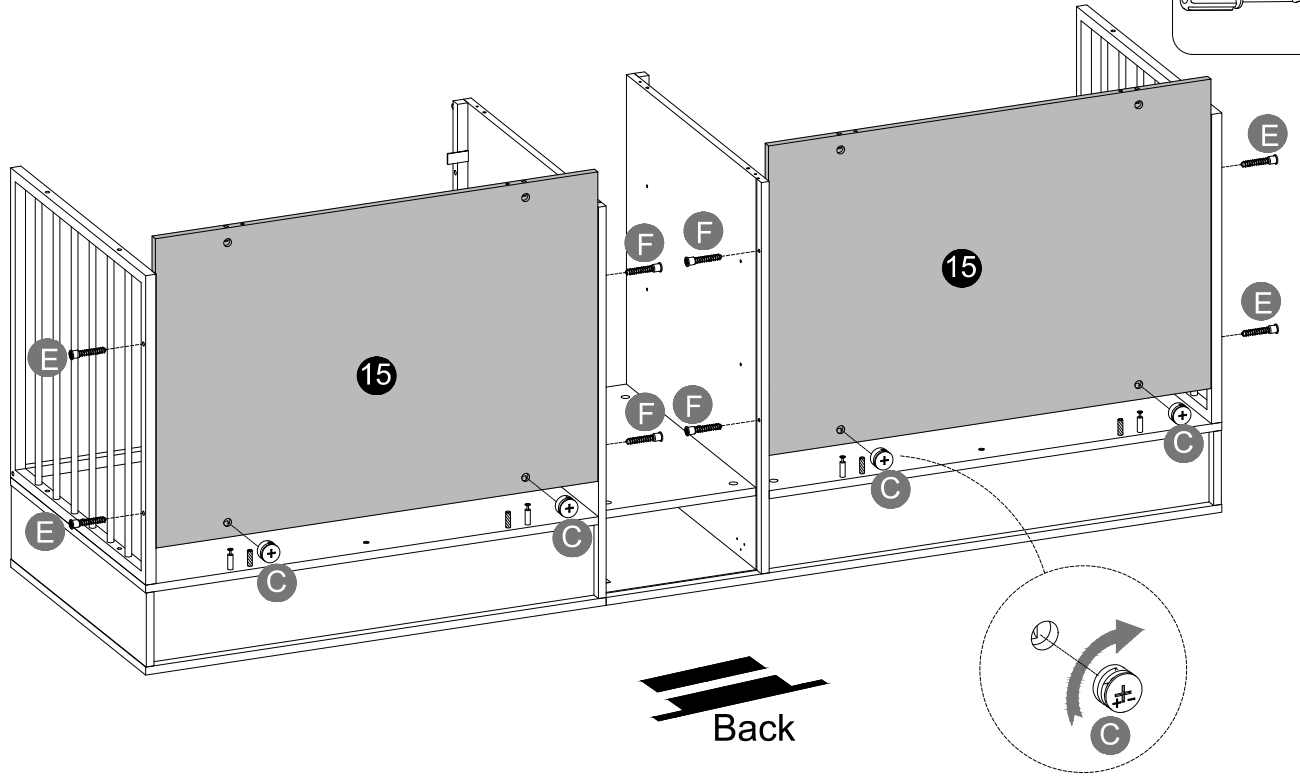
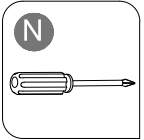
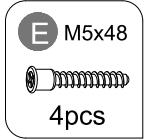
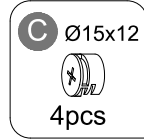


Step 10

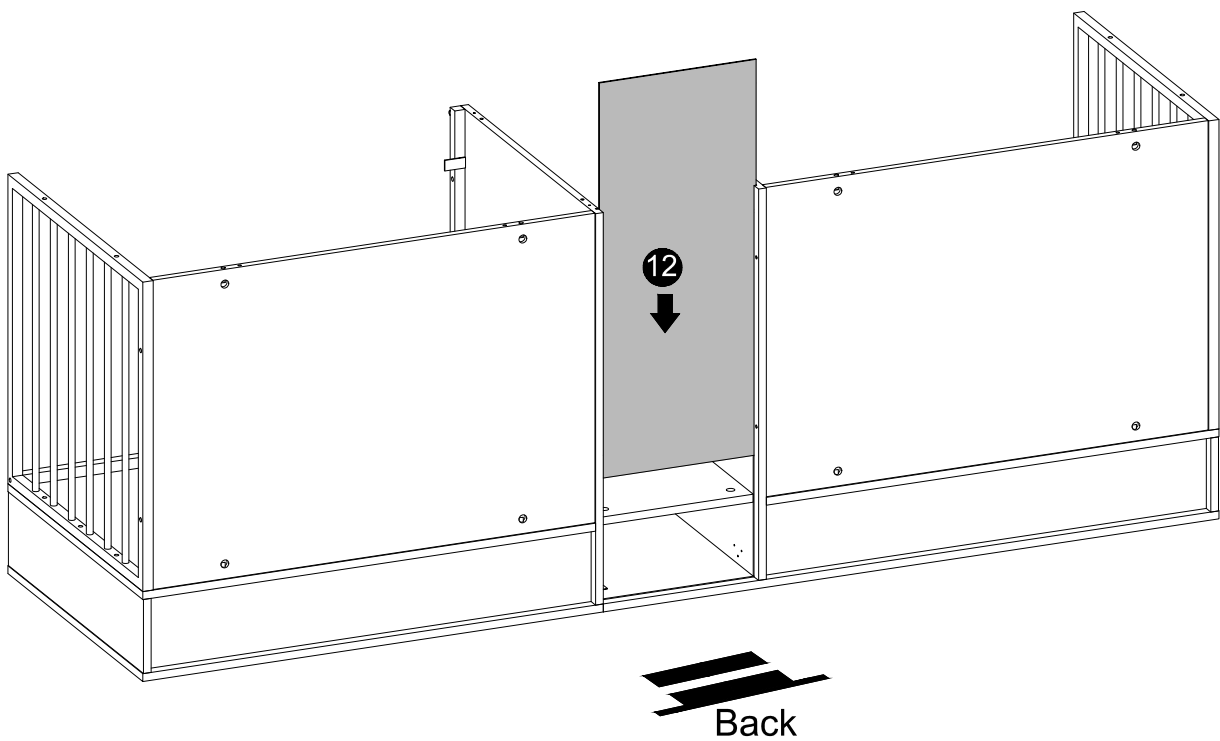
- D** M6x28

6pcs
- N** S4




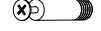


Step 11

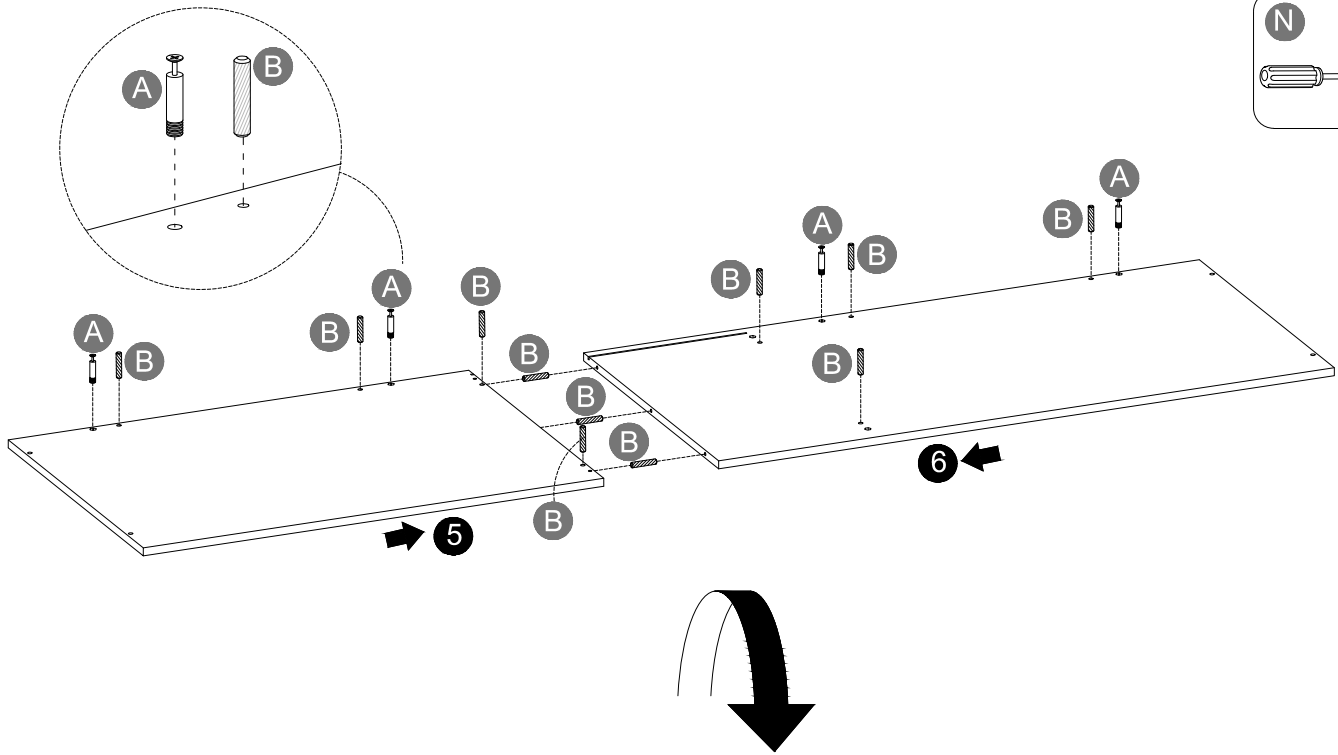


Step 12




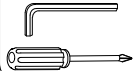


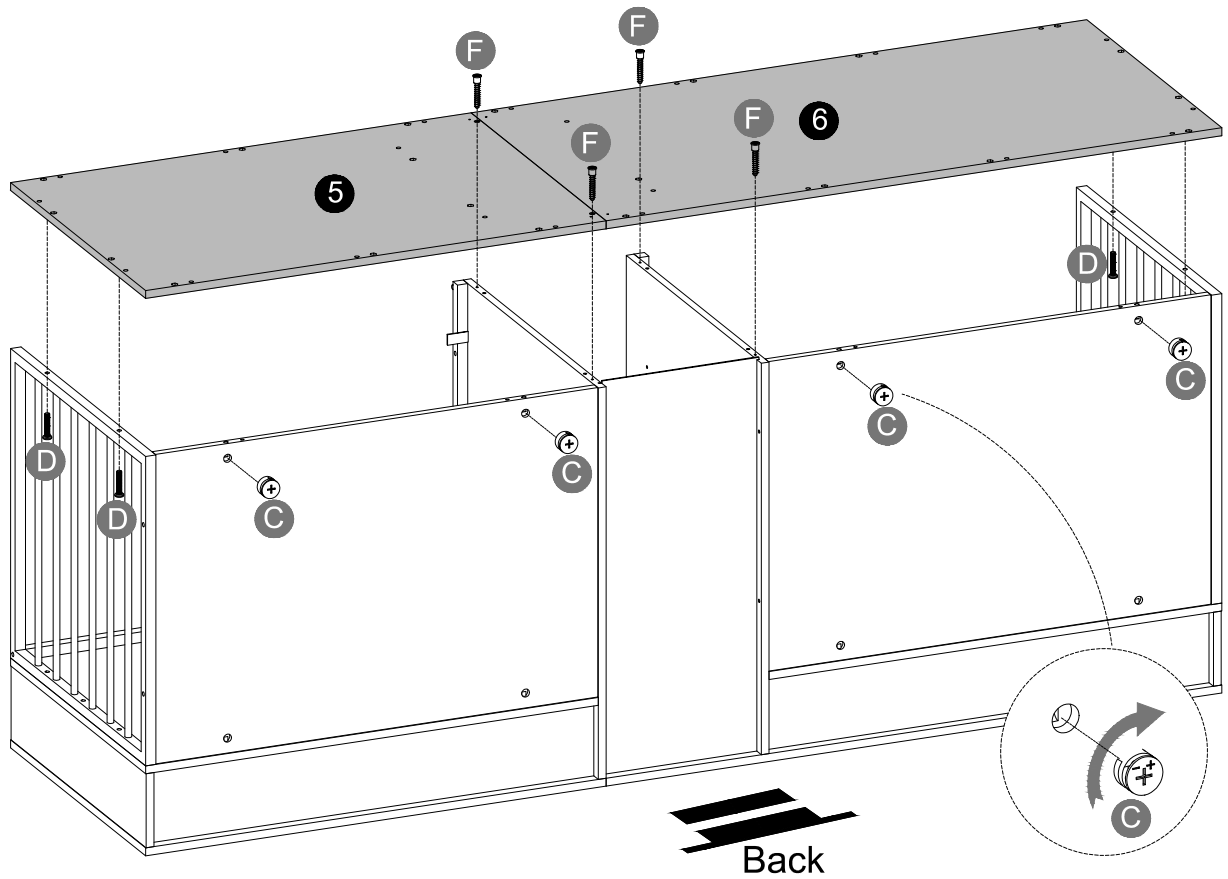
Step 13

- A** M6x35

4pcs
- B** Ø8x30

11pcs
- N**




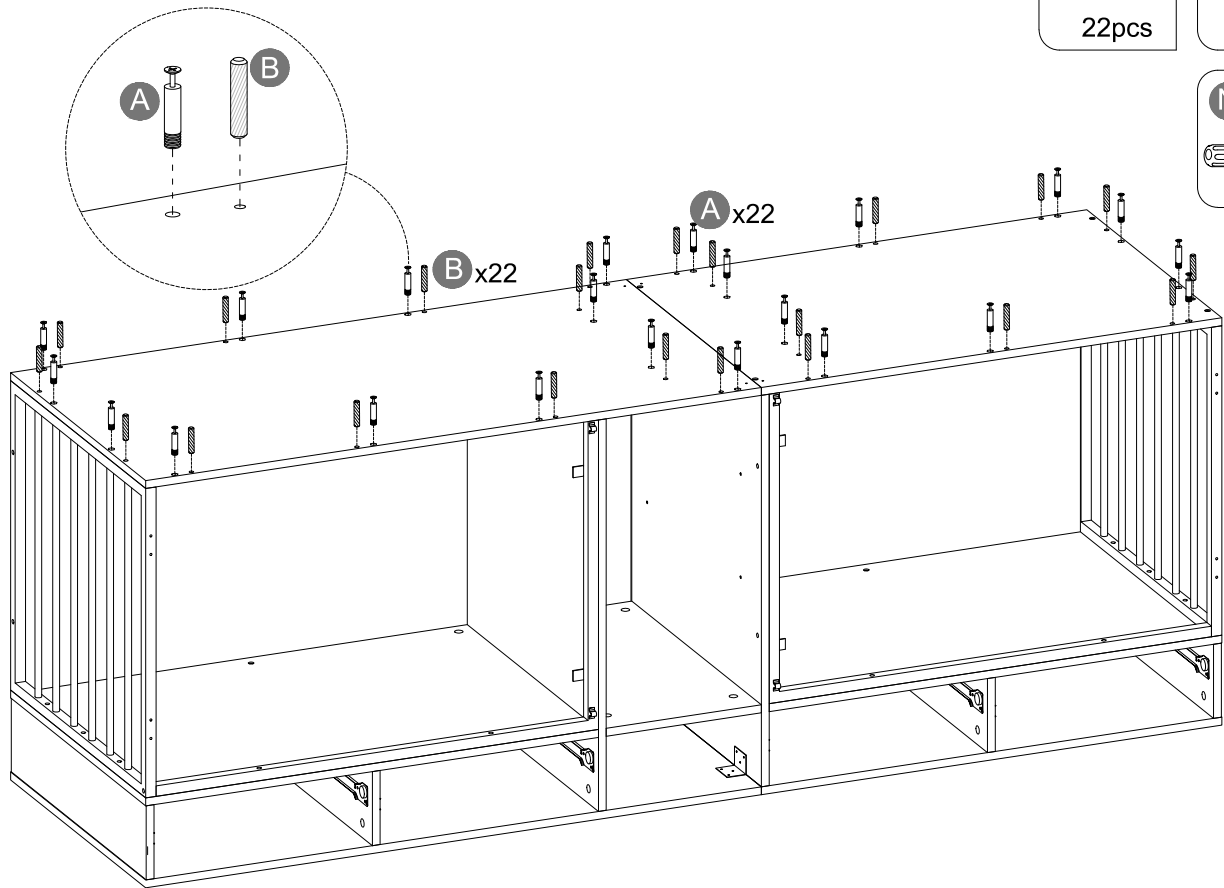
Step 14

- C** Ø15x12

4pcs
- D** M6x28

4pcs
- F** M5x38

4pcs
- N** S4




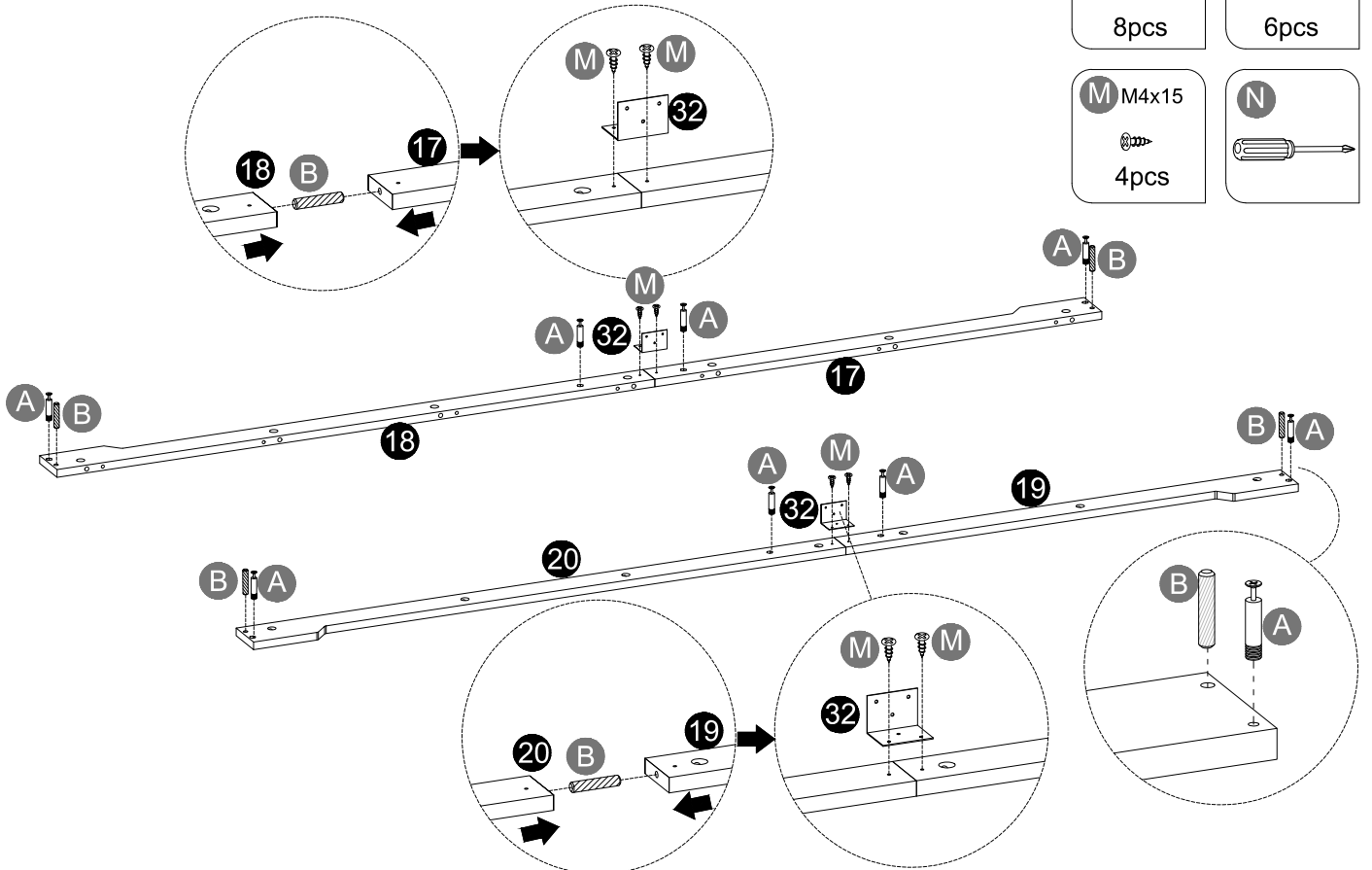
Step 15

- A** M6x35
⊗ ⊕
22pcs
- B** Ø8x30
22pcs
- N**
⌘



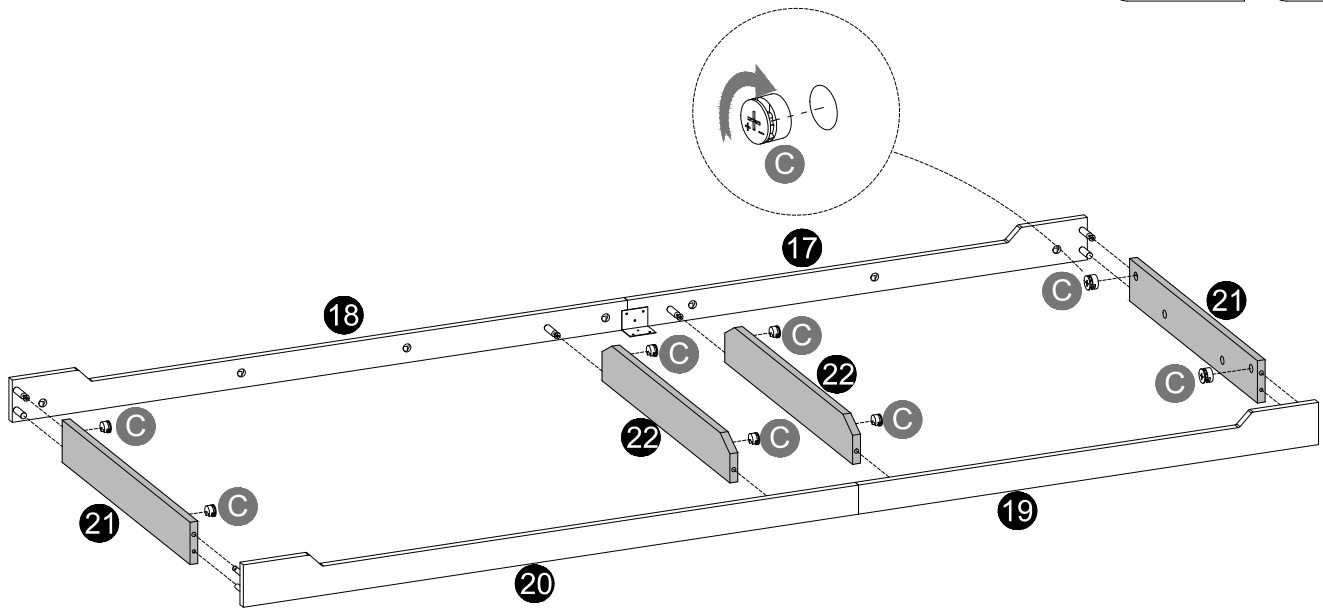
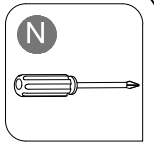
Step 16

- A** M6x35
⊗ ⊕
8pcs
- B** Ø8x30
6pcs
- M** M4x15
⌘
4pcs
- N**
⌘



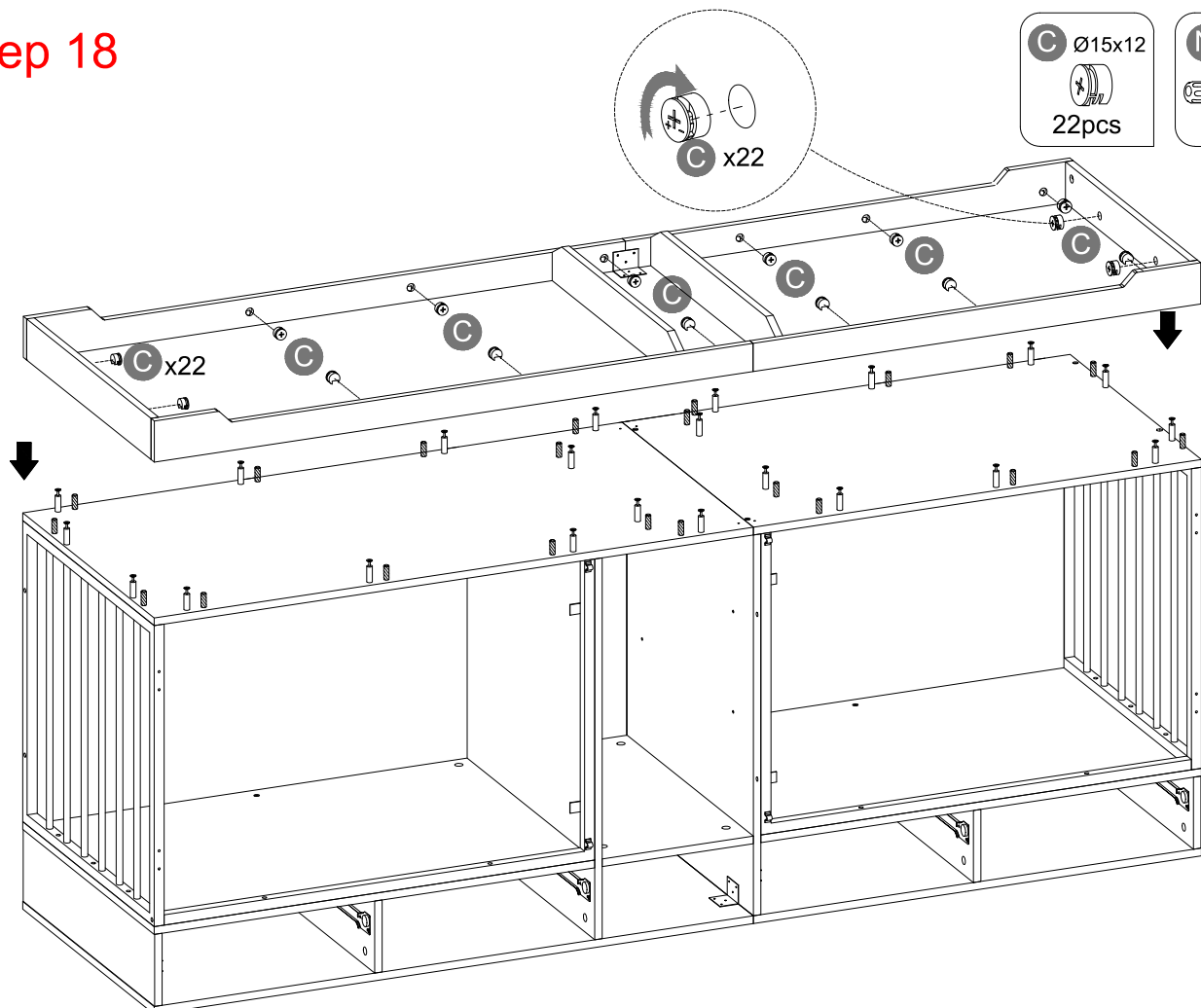
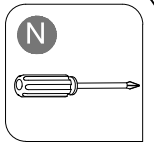
Step 17

C Ø15x12
8pcs



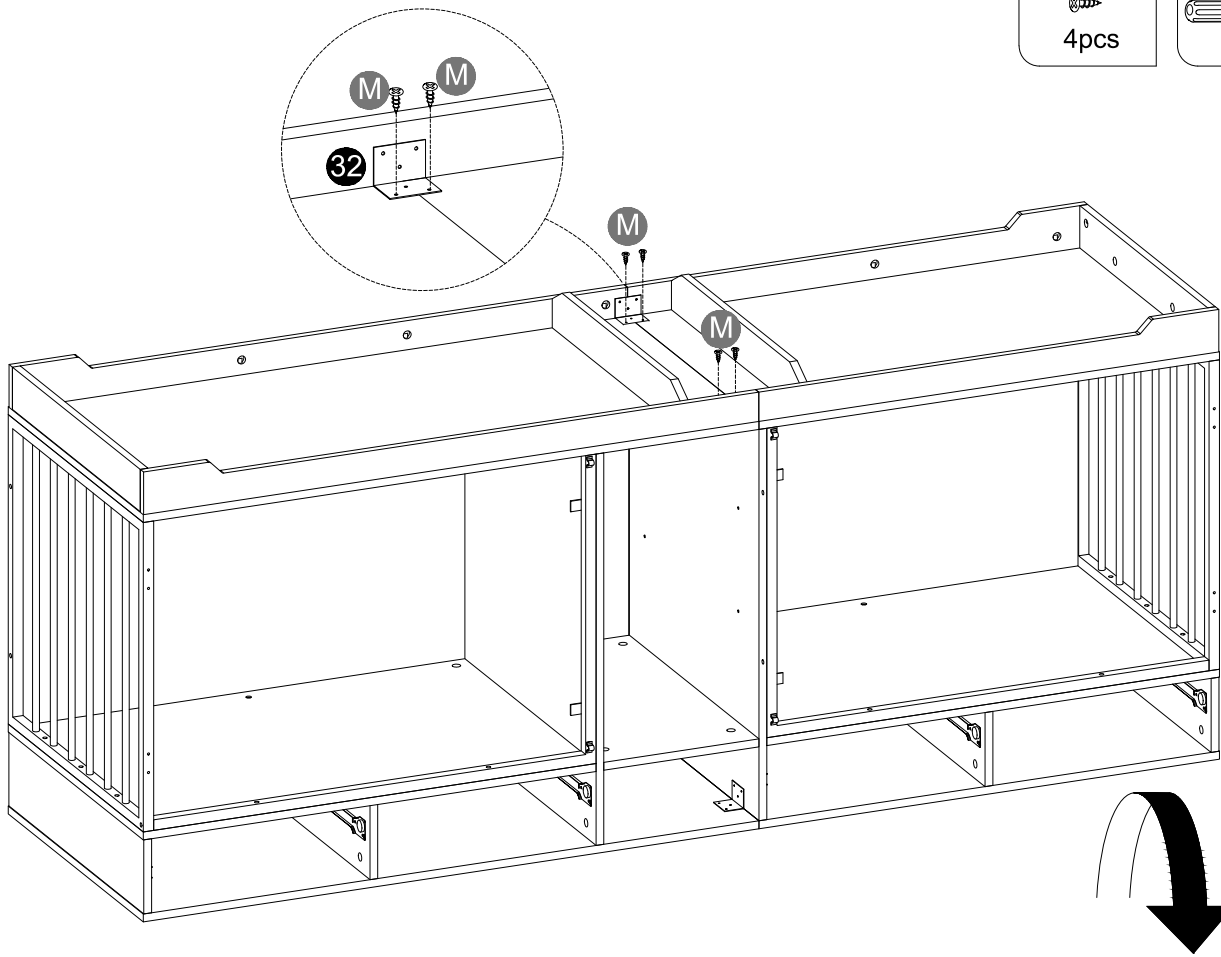
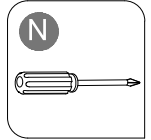
Step 18

C Ø15x12
22pcs



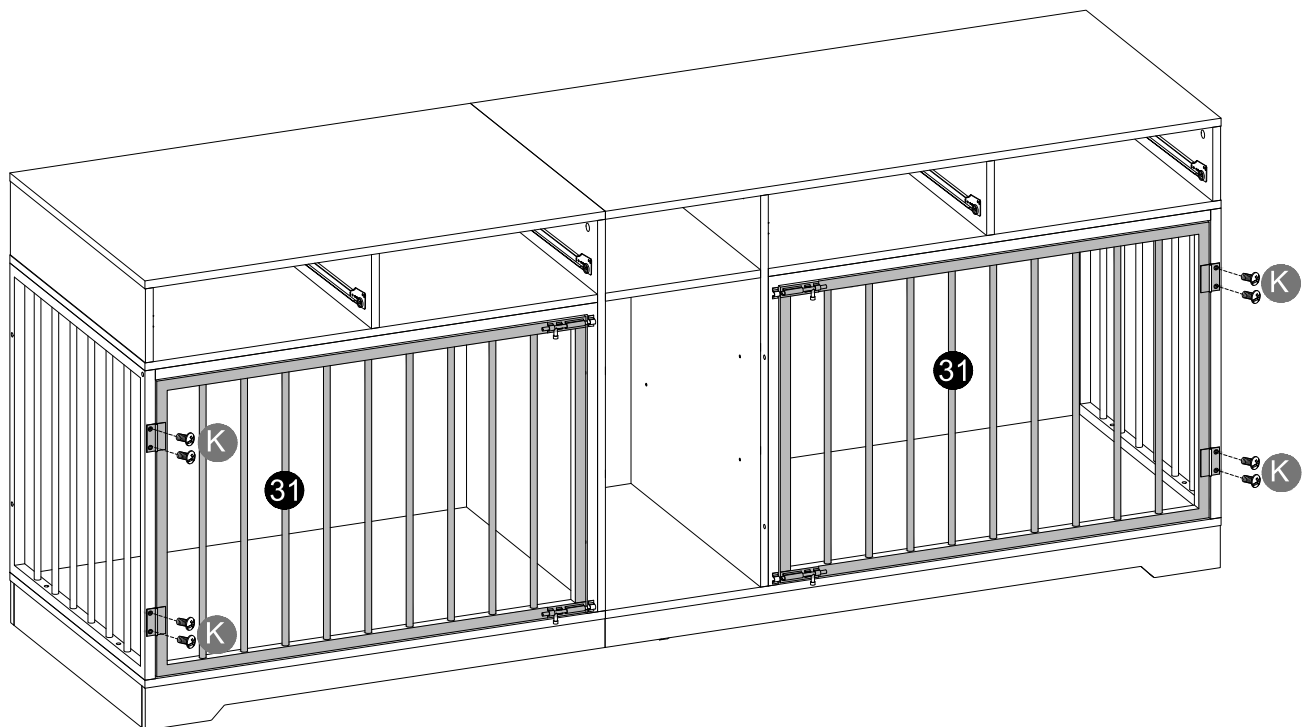
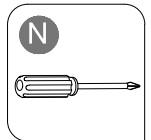
Step 19

M M4x15
4pcs



Step 20

K M4x10
8pcs

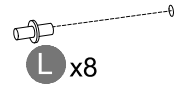
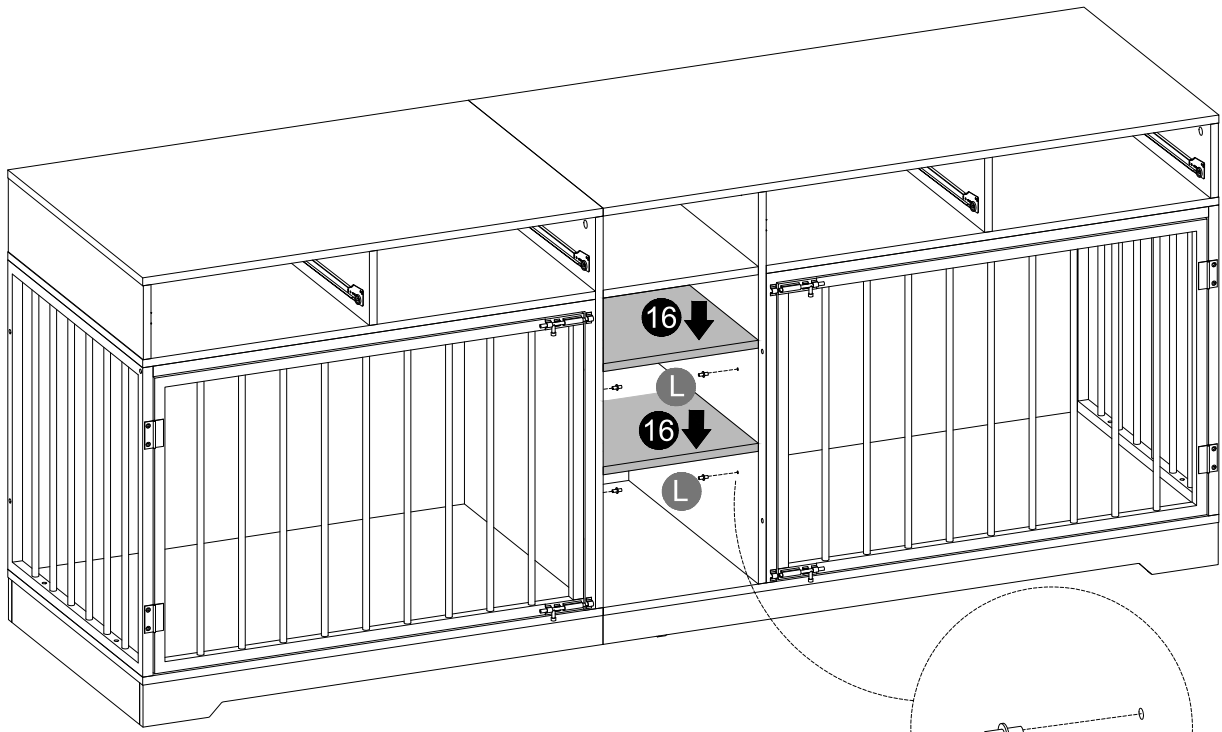


Step 21

L Ø5x10



8pcs



Step 22 x4

A M6x35



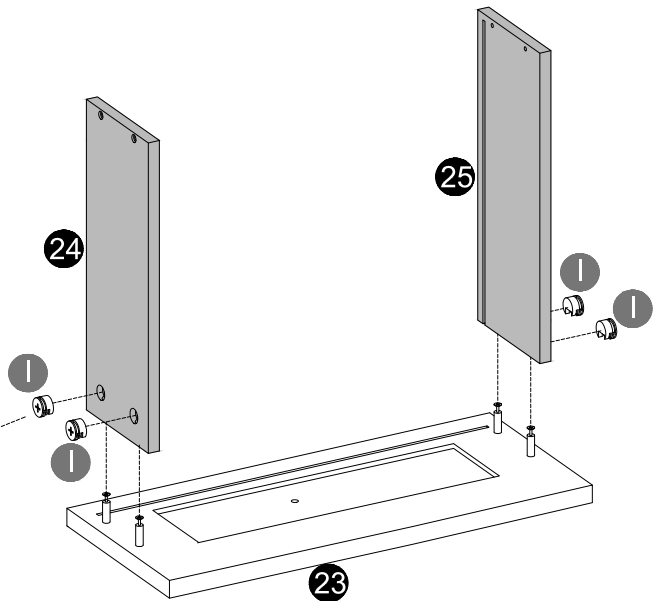
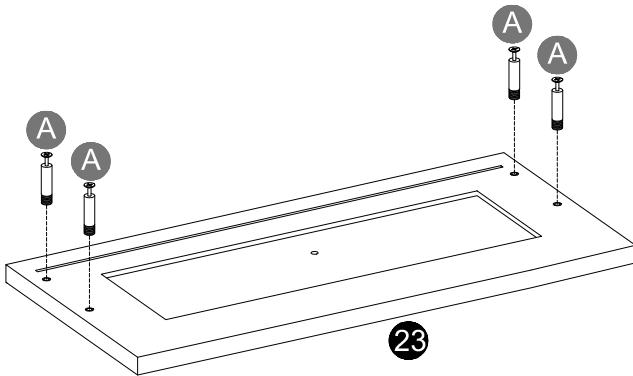
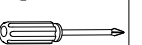
16pcs

I Ø15x10

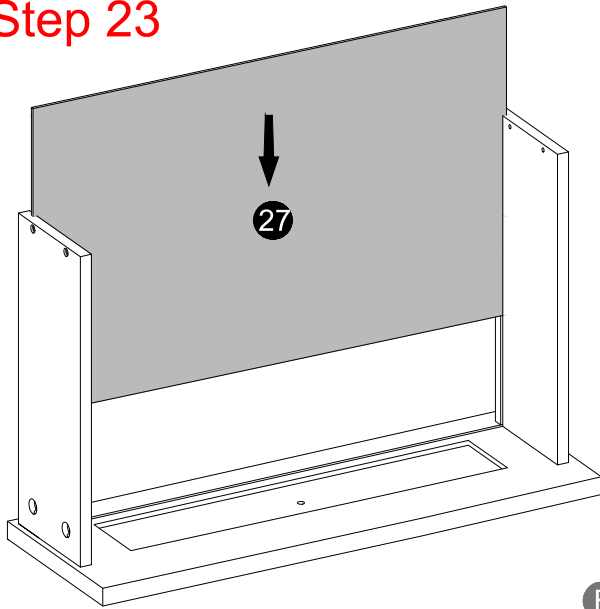


16pcs

N



Step 23

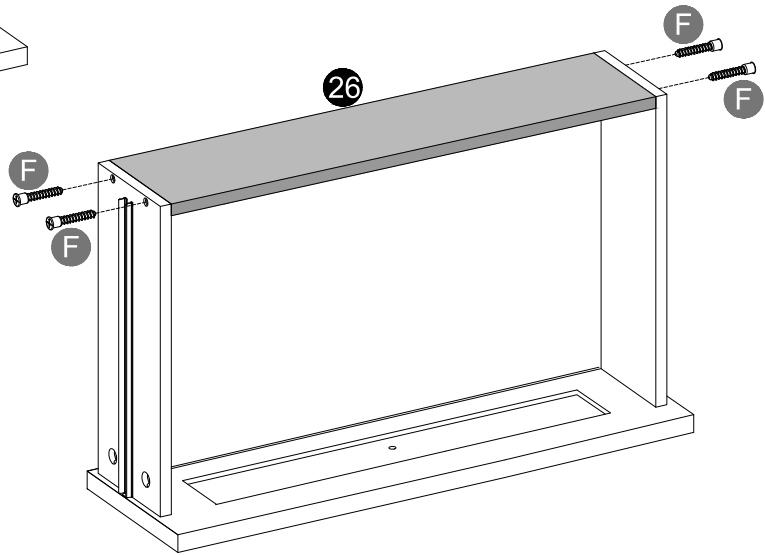
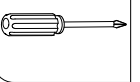


F M5x38

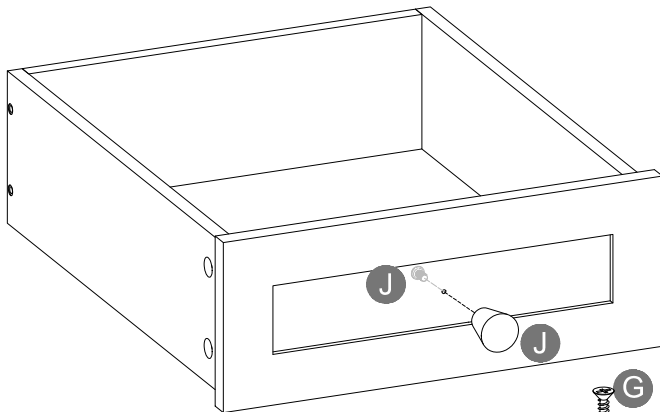


16pcs

N



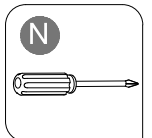
Step 24



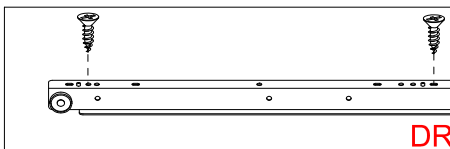
J M4x10
4pcs

G M3x12
24pcs

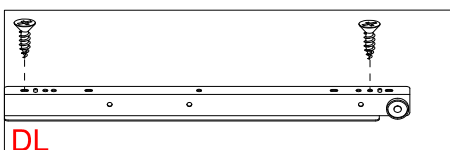
O DL
DR
4pcs



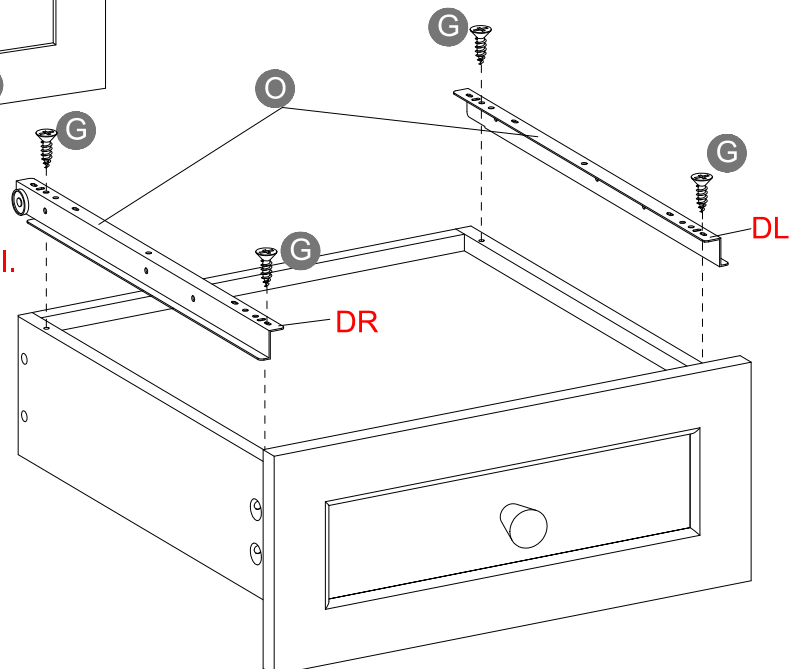
DL and DR are stencil printed on the guide rail.



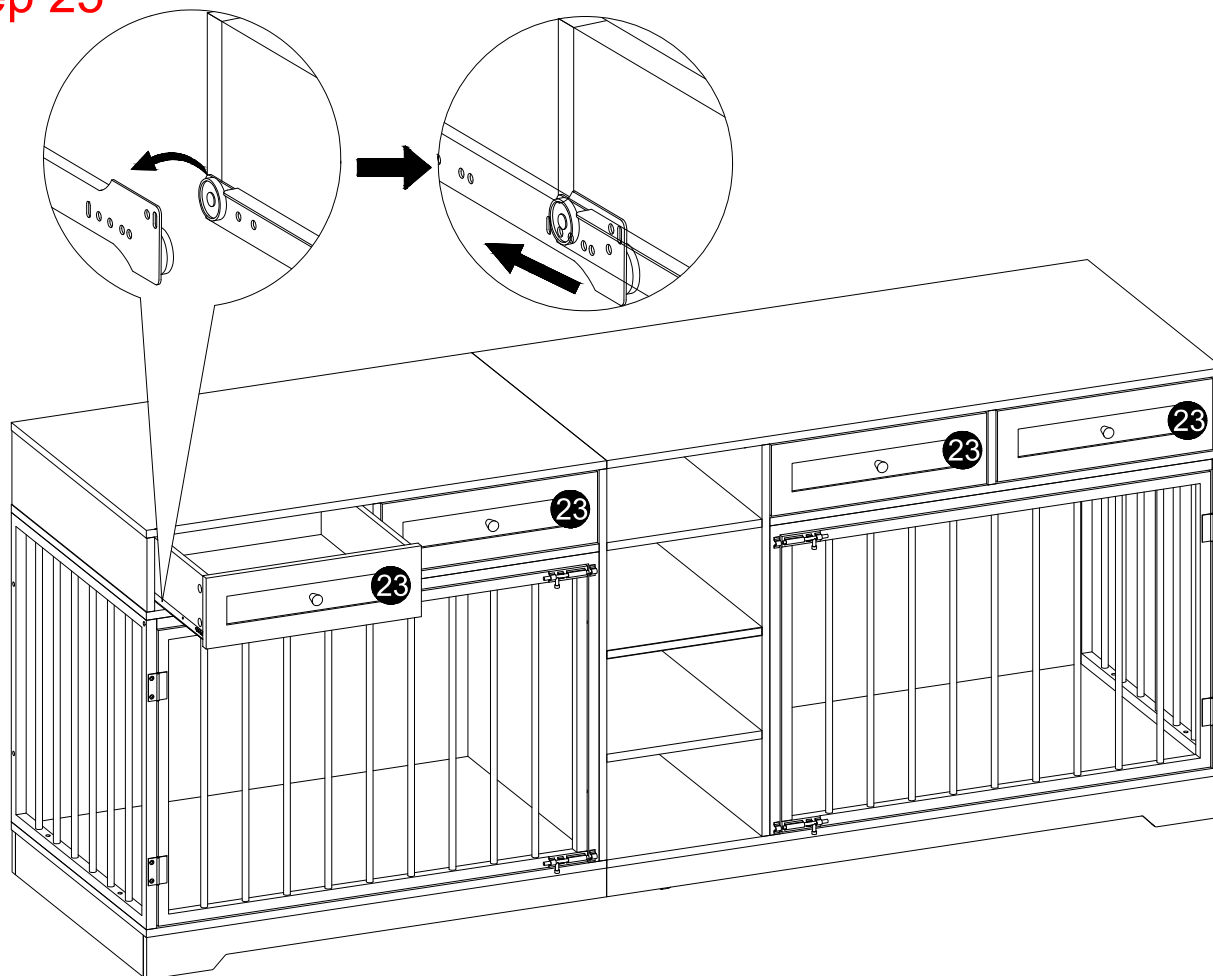
DR



DL



Step 25



IMPORTANT SAFETY INFORMATION

Please carefully read the instructions and caution warnings below before assembling the product. Following this guide will ensure that you install, use and maintain the product properly.

- Please keep this installation and user manual/instructions for future reference in case you need to assemble the product.
- Do not assemble if you notice serious damage such as cracks or bends.
- During installation, please use work gloves for hand safety.
- Please assemble the unit on carpeted floor or the flat cardboard box to avoid scratching the surface or your floor while assembling on the floor.
- To assemble, please use the complimentary installation tools (Allen Wrench). Pay more attention to the direction of components at each steps.
- It is recommended that two people work together to assemble the product.
- Please do not tighten the screws up too much, just to 80% before you finish to make the installation go on successfully.

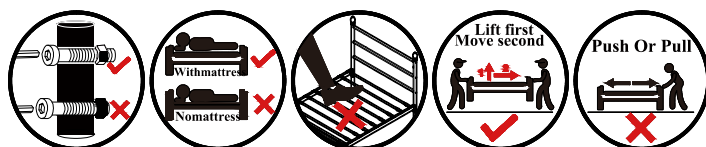
RETURN POLICY

We believe you will absolutely love your new product. But for some reason you want to return your item, please contact us within 30 days after receiving and ensure that the product which you want to return is in a good condition in the original box with all original certificates of purchase, manuals and accessories attached.

HOW TO MAINTAIN YOUR PRODUCT:

- Check the screws of the product are not loose from regular use.
- Do not use sharp instruments, rubbing alcohol, corrosive chemicals, or abrasive cleaners to clean the product.
- Do not keep the product in a damp environment for a long period of time. The damp environment may cause the iron components to rust and the plates to bulge and crack.

CAUTIONS!



How to find us?

CustomerService

Email: service2003@yeah.net