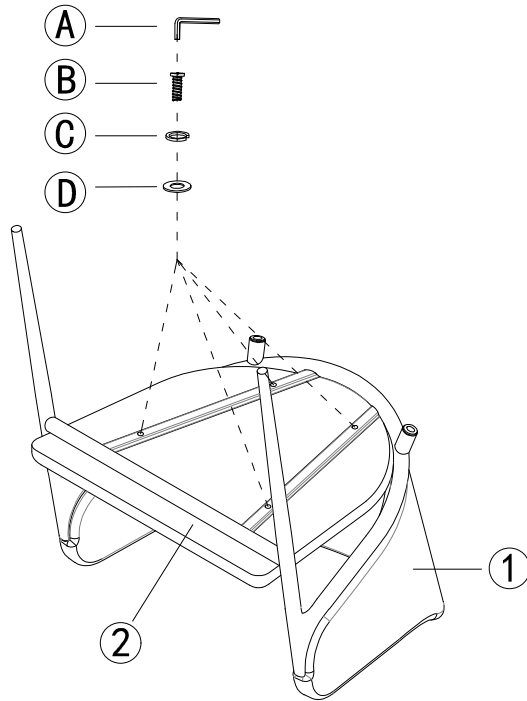
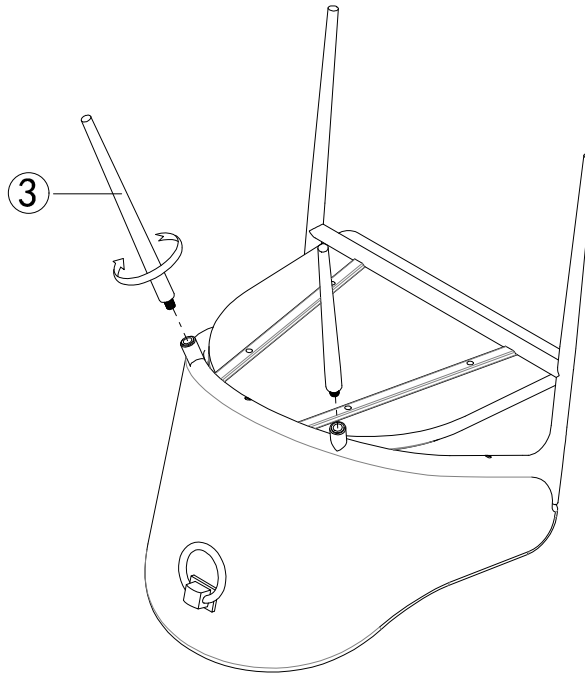


ASSEMBLY INSTRUCTIONS FOR ITEM NO: SC450-SC457

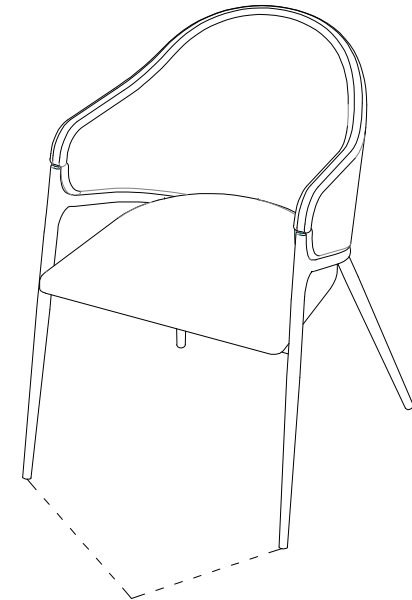
STEP 1










STEP 2



STEP 3



Adjust if uneven.

1	2	3	A	B	C	D
			 4.0	 M6*30	 φ10	 φ16
1 PC	1 PC	2 PCS	1 PC	4PCS	4PCS	4PCS