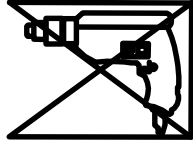
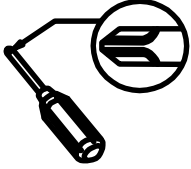
 **Team
Assomby
Rocommondod**

YOU NEED

1. Tools required

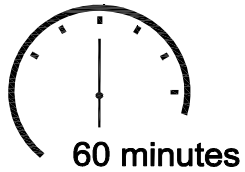
A Phillips head screw driver is required for the assembly of this product. (not included)
Electric tool should not be used to assemble this product.



2. Two people are needed

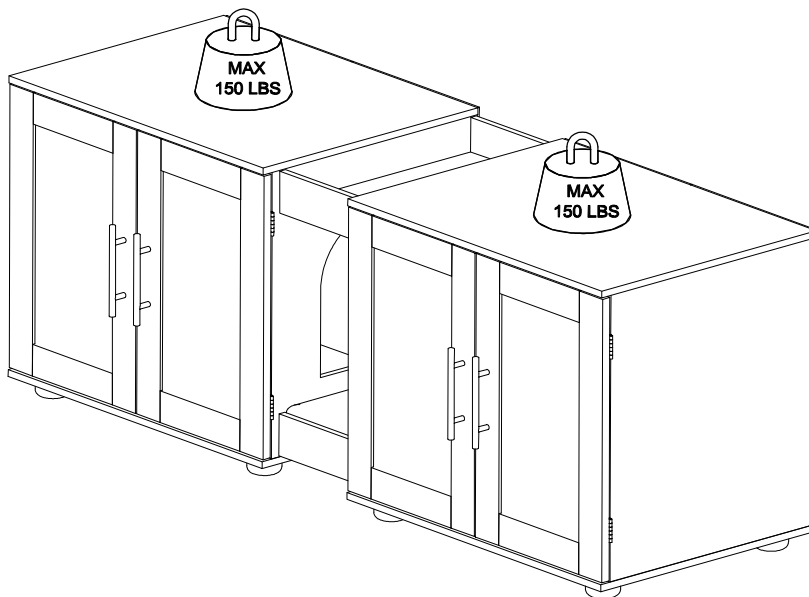


3. Installation takes 60 minutes



4. Technical Specifications

Brand	
Material	
Max weight capacity	150 lbs



Tips!



1. Check all the components & screws are intact before assembling .
2. If you notice any pieces are missing or damaged please do not assemble and contact us immediately .
3. **Please send an email with you order number and issues,we will respond within 24 hours.**

IMPORTANT SAFETY INFORMATION

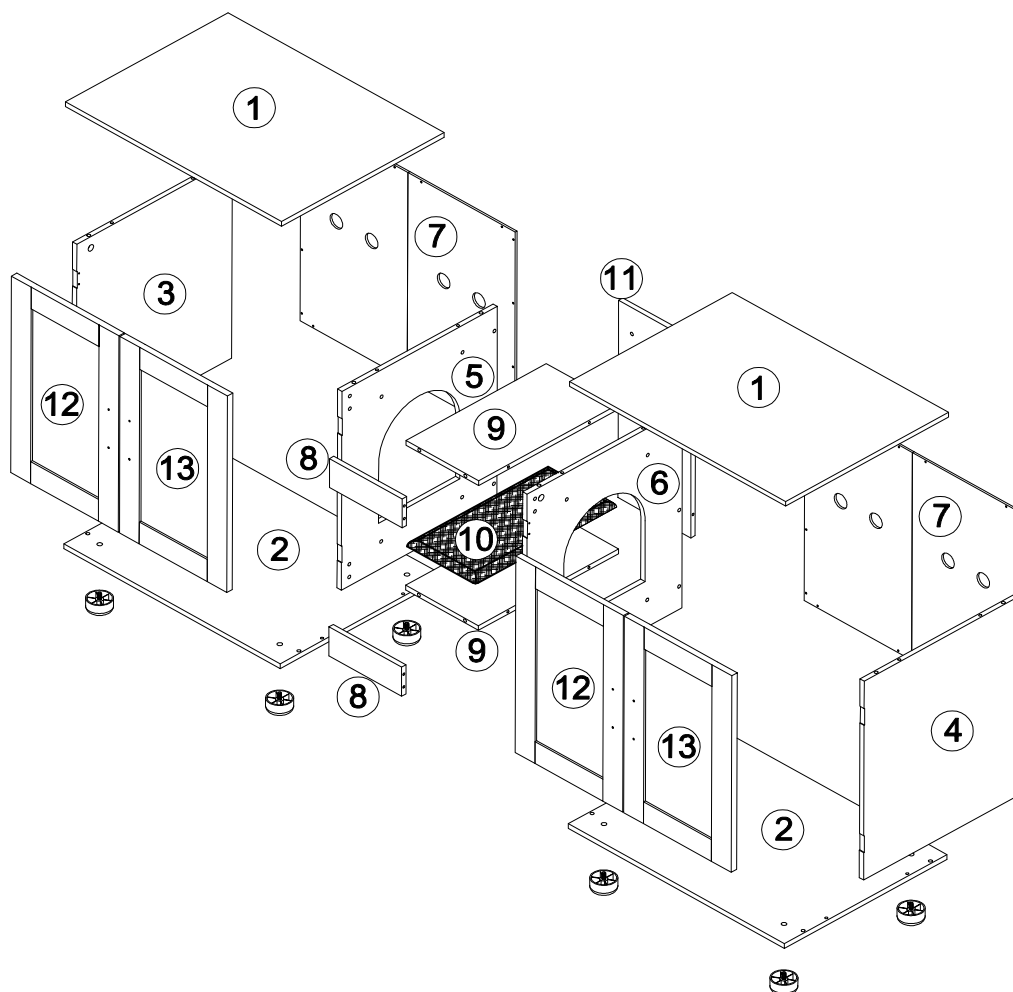
- Please carefully read the following instructions and caution warnings before assembling the product.
- Following this guide will ensure that you install, use and maintain the product properly.
- Please keep this installation and user manual/instructions for future reference in case you need to disassemble the product.
- Never allow children to climb onto the product. Ensure that you have special safety measures when children are around on their own.
- Be sure to check that all parts of the product are intact after you open the package.
- Do not assemble if you notice serious damage such as cracks or bends.
- During installation, please use work gloves for hand safety.
- Please assemble the unit on carpeted floor or the flat cardboard box to avoid scratching the surface or your floor while assembling on the floor.
- To assemble, please use the complimentary installation tools (Phillips screwdriver). Pay more attention to the direction of components at each steps.
- It is recommended that two people work together to assemble the product

HOW TO MAINTAIN YOUR PRODUCT

- Check the screws of the product are not loose from regular use.
- Do not use sharp instruments, rubbing alcohol, corrosive chemicals, or abrasive cleaners to clean the item.

COMPONENT PARTS

Please check that you have all the parts listed below



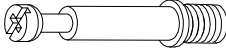
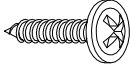
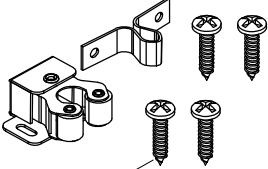
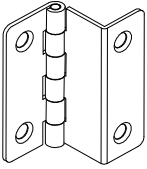
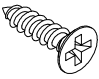
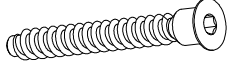
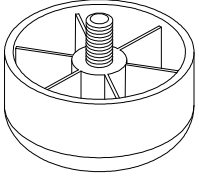
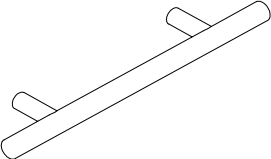
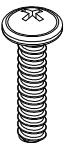




1	Top Panel	X2
2	Bottom Panel	X2
3	Left Side Panel	X1
4	Right Side Panel	X1
5	Left Partition Panel	X1
6	Right Partition Panel	X1
7	Side Back Panel	X2

8	Front Bar	X2
9	Sheft	X2
10	Seat	X1
11	Center Back Panel	X1
12	Left Doors	X2
13	Right Doors	X2

ASSEMBLY HARDWARE

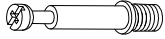
Please check that you have all the parts listed below

<p>A x 16+2pcs</p>  <p>$\text{Ø}6*30\text{mm}$</p>	<p>B x 12+2pcs</p>  <p>$\text{Ø}15*10\text{mm}$</p>	<p>C x 12+2pcs</p>  <p>$\text{Ø}6*35\text{mm}$</p>	<p>D x 32+2pcs</p>  <p>$\text{Ø}8*\text{Ø}3.5*16\text{mm}$</p>
<p>E x 4pcs</p>  <p>$\text{Ø}6*\text{Ø}3*10\text{mm}$</p>	<p>F x 8pcs</p> 	<p>G x 32+2pcs</p>  <p>$\text{Ø}7*\text{Ø}3.5*x12\text{mm}$</p>	<p>H x 34+2pcs</p>  <p>$\text{Ø}7*38\text{mm}$</p>
<p>J x 8pcs</p> 	<p>K x 4pcs</p> 	<p>L x 8+1pcs</p>  <p>$\text{M}4*18\text{mm}$</p>	<p>M x 1pc</p>  <p>$\text{M}4$</p>
<p>N x 1pc</p> 			

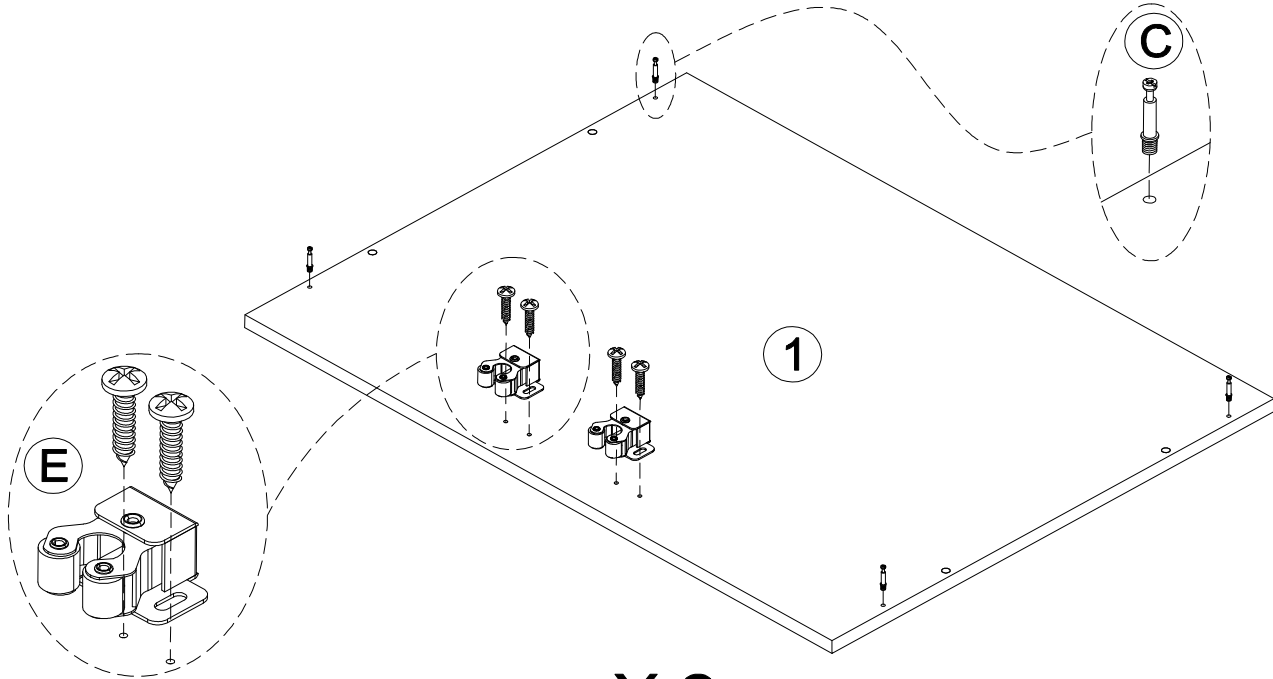
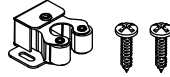
Assembly instructions

1

C x 8pcs



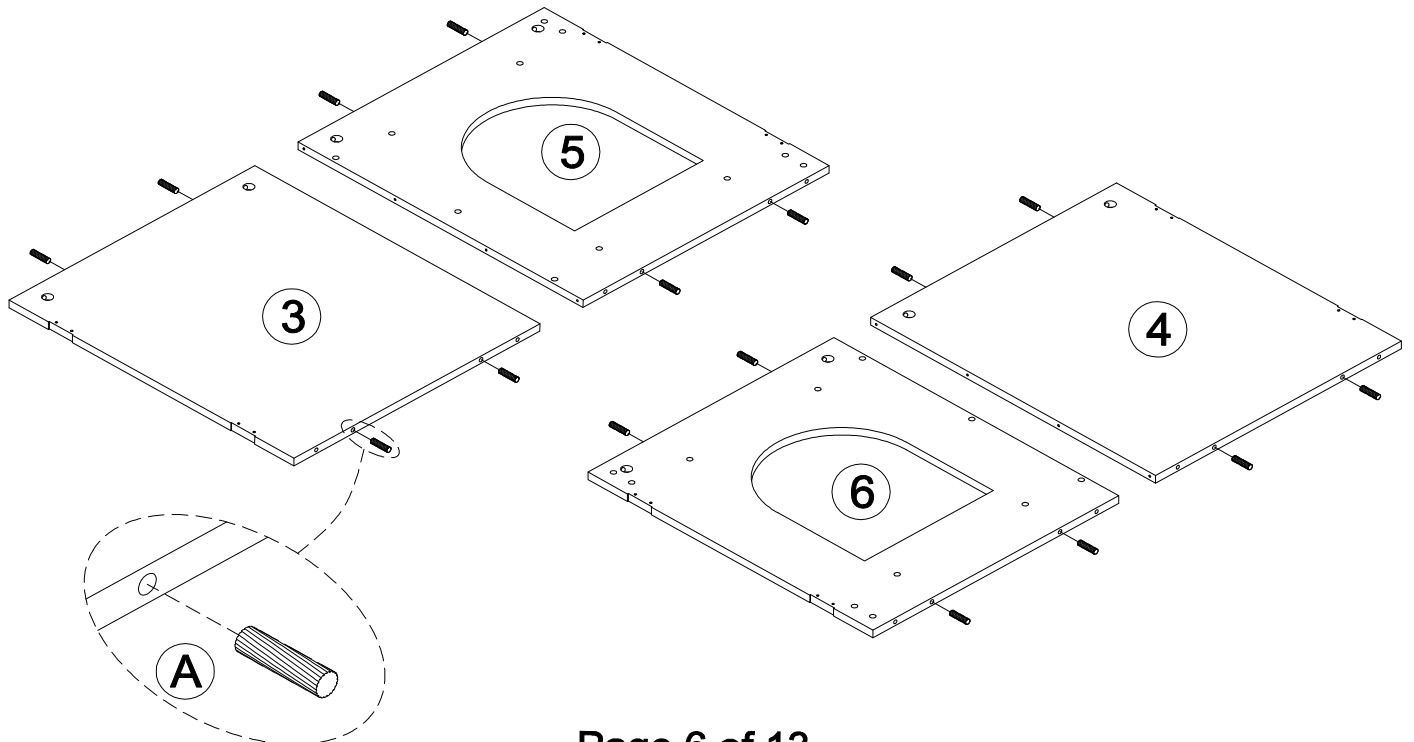
E x 4pcs



X 2

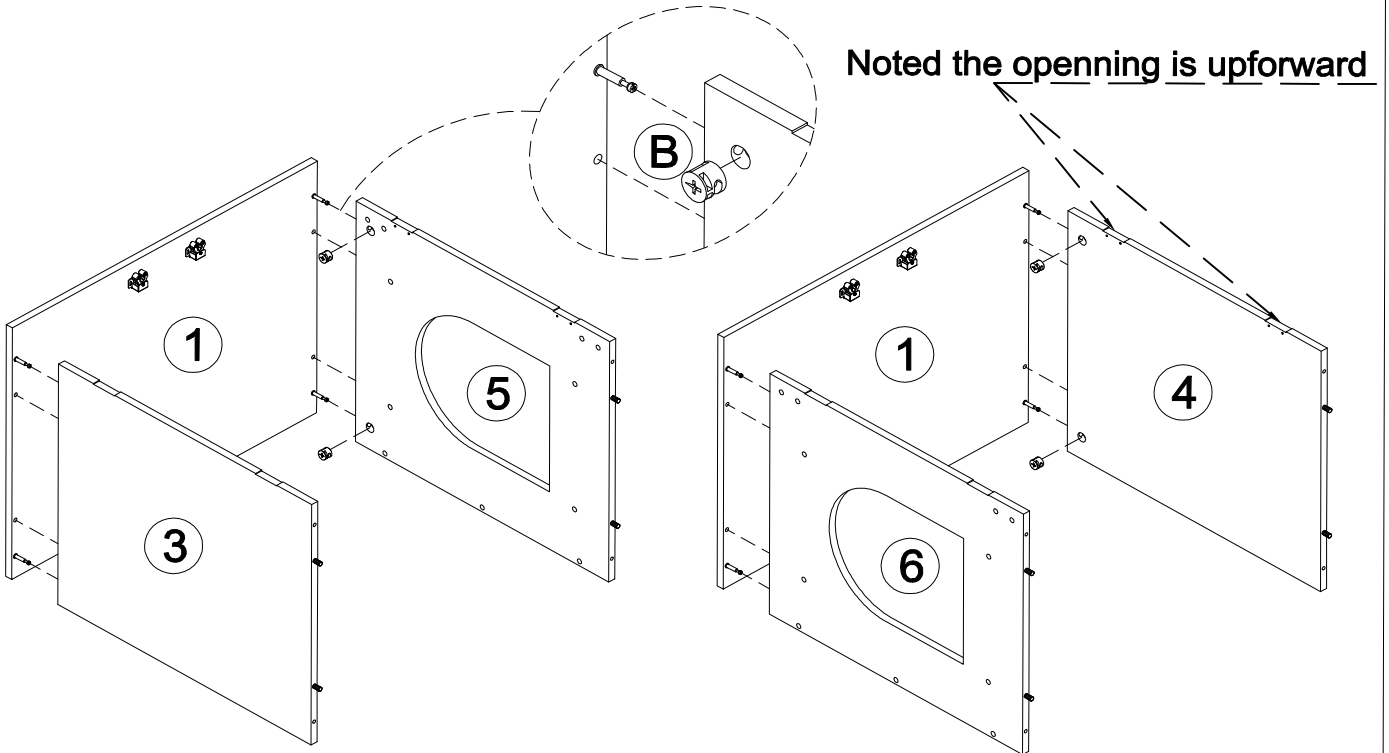
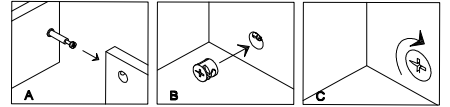
2

A x 16pcs



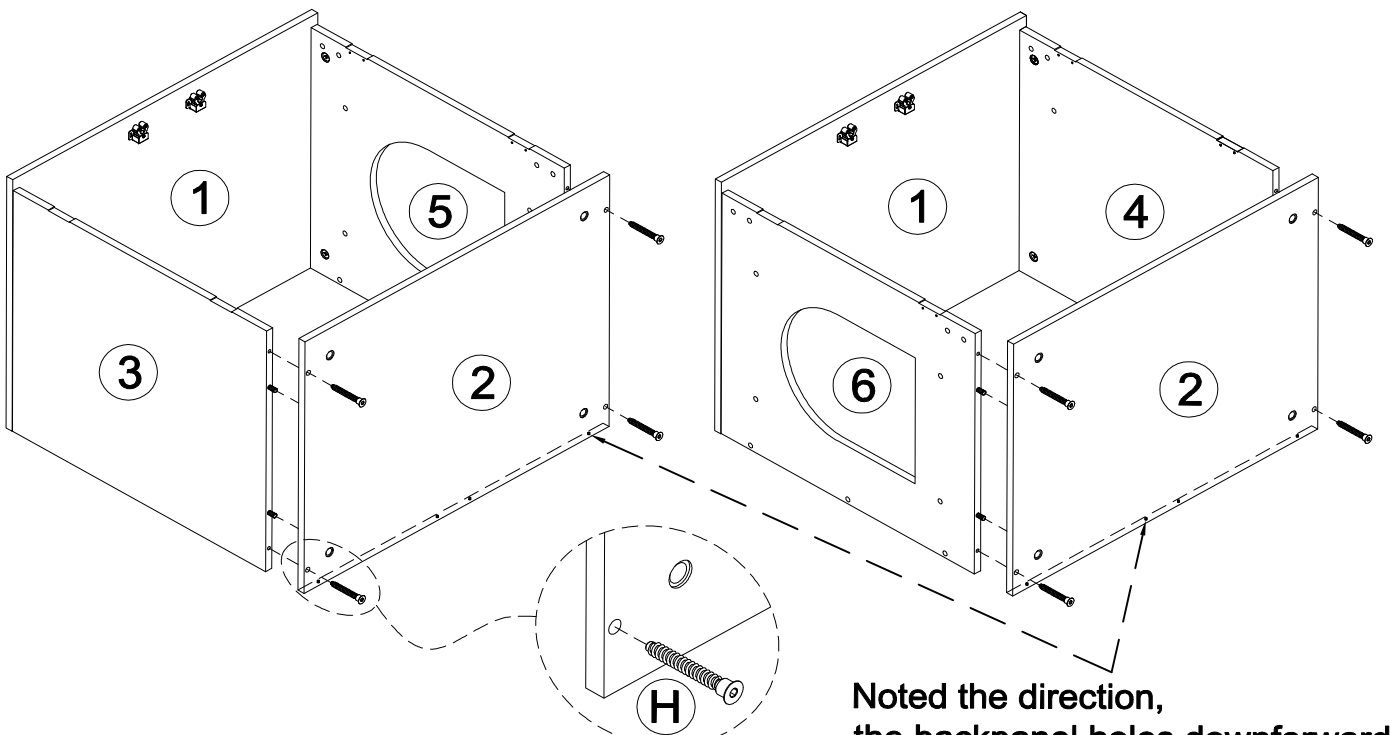
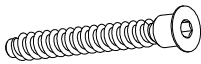
3

B x 8pcs



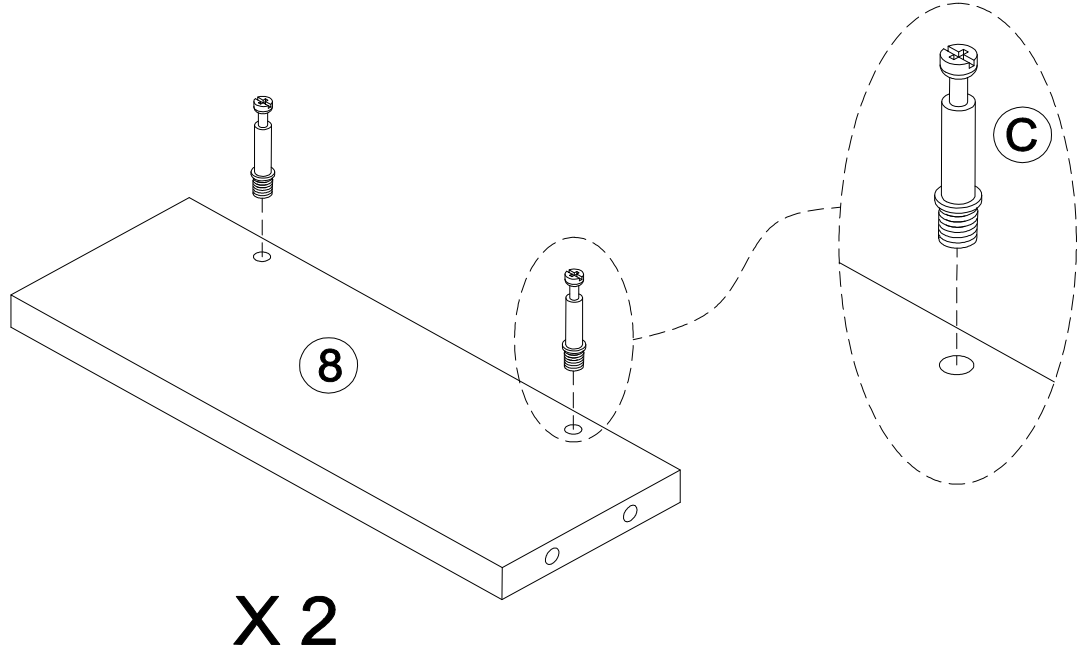
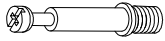
4

H x 8pcs



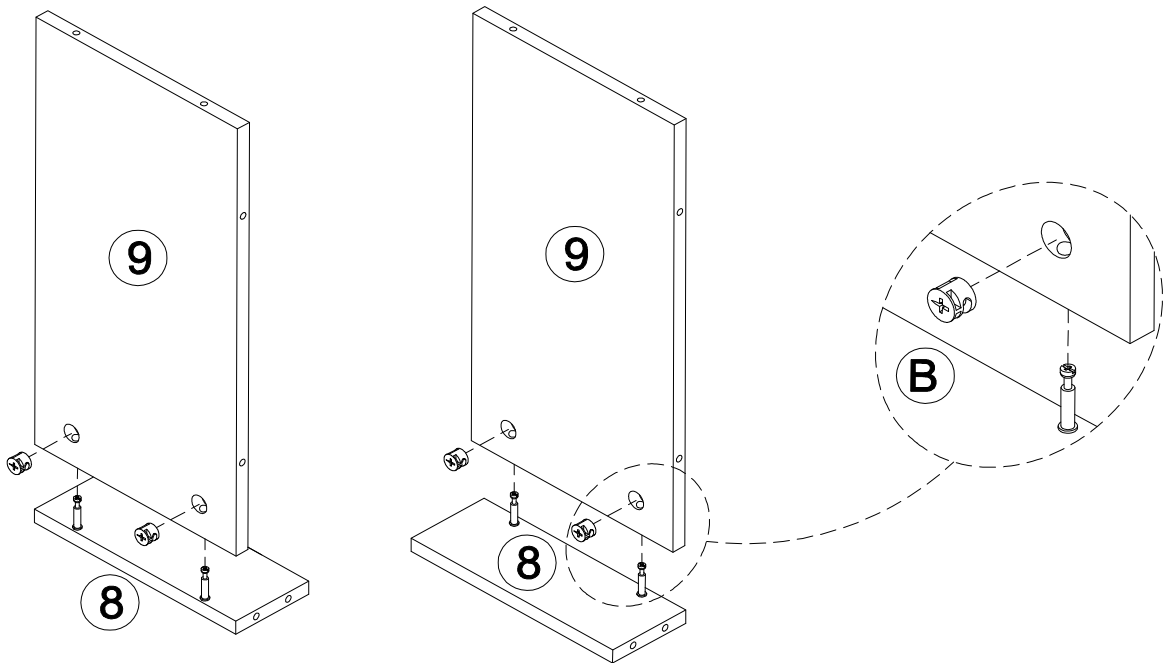
5

C x 4pcs



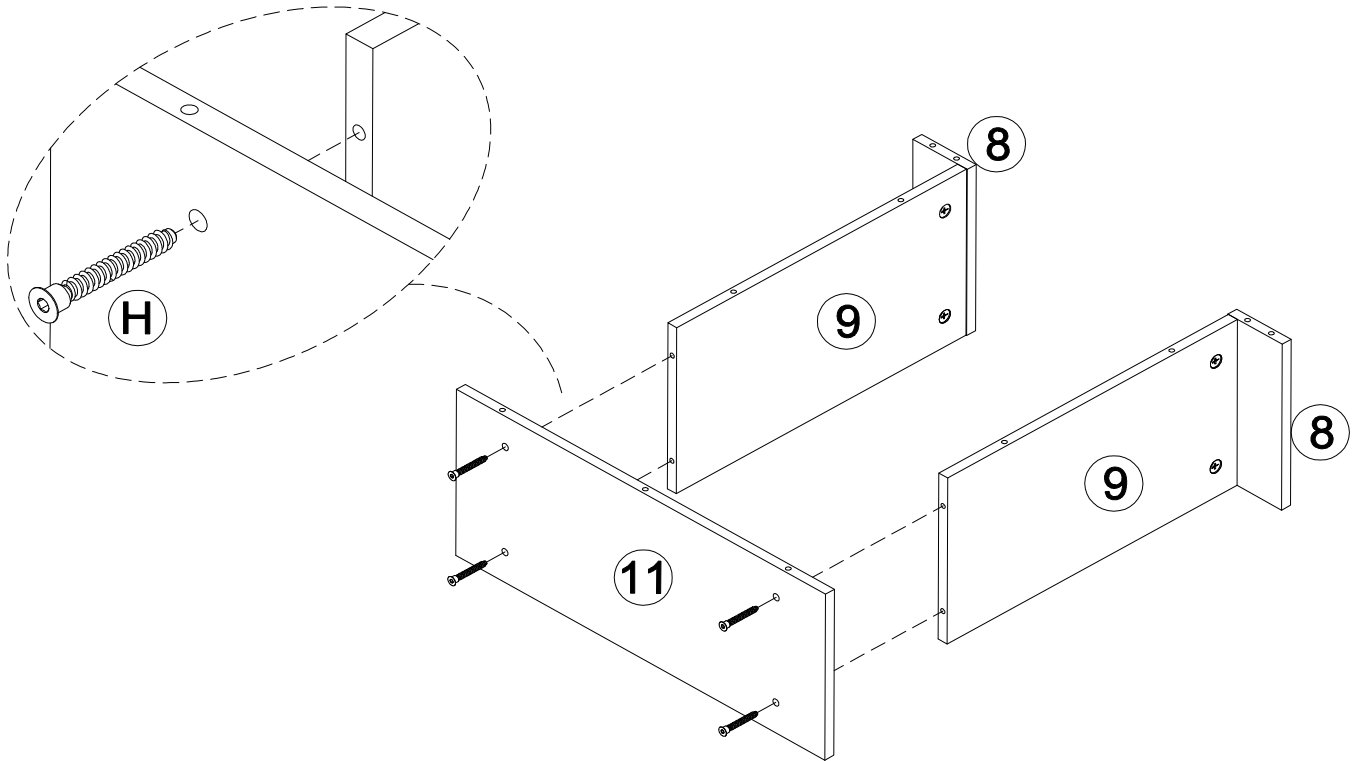
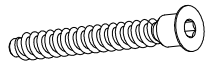
6

B x 4pcs



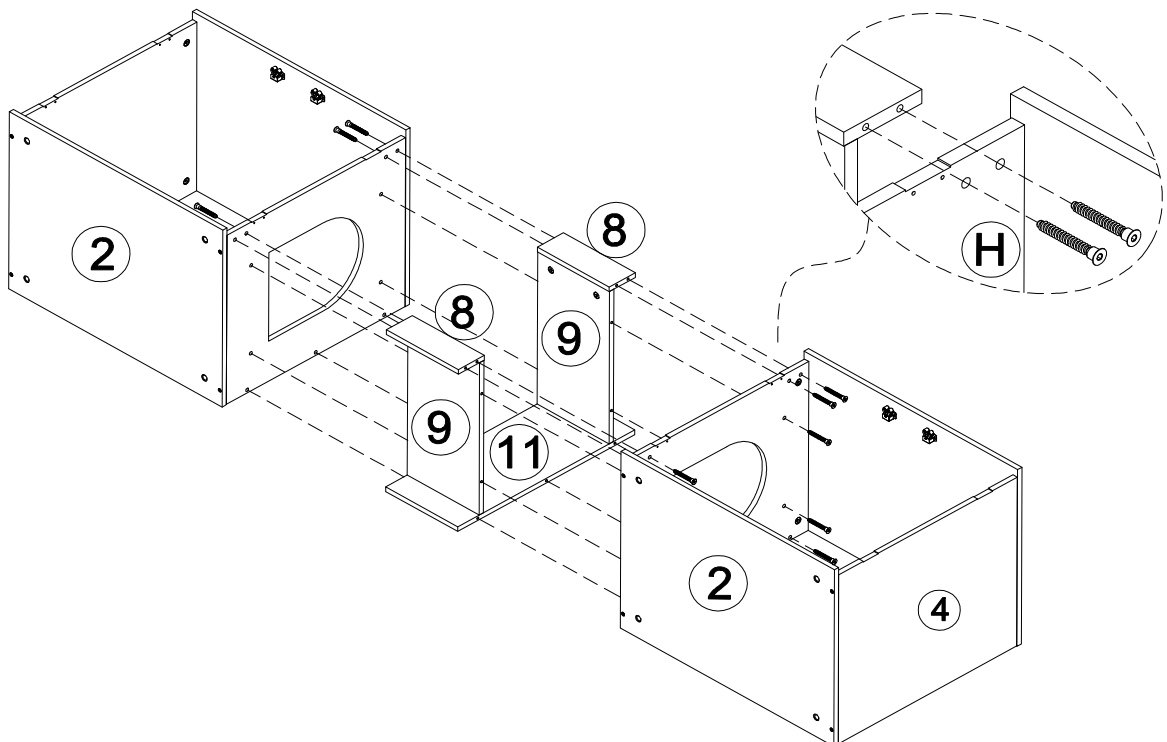
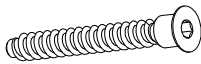
7

H x 4pcs



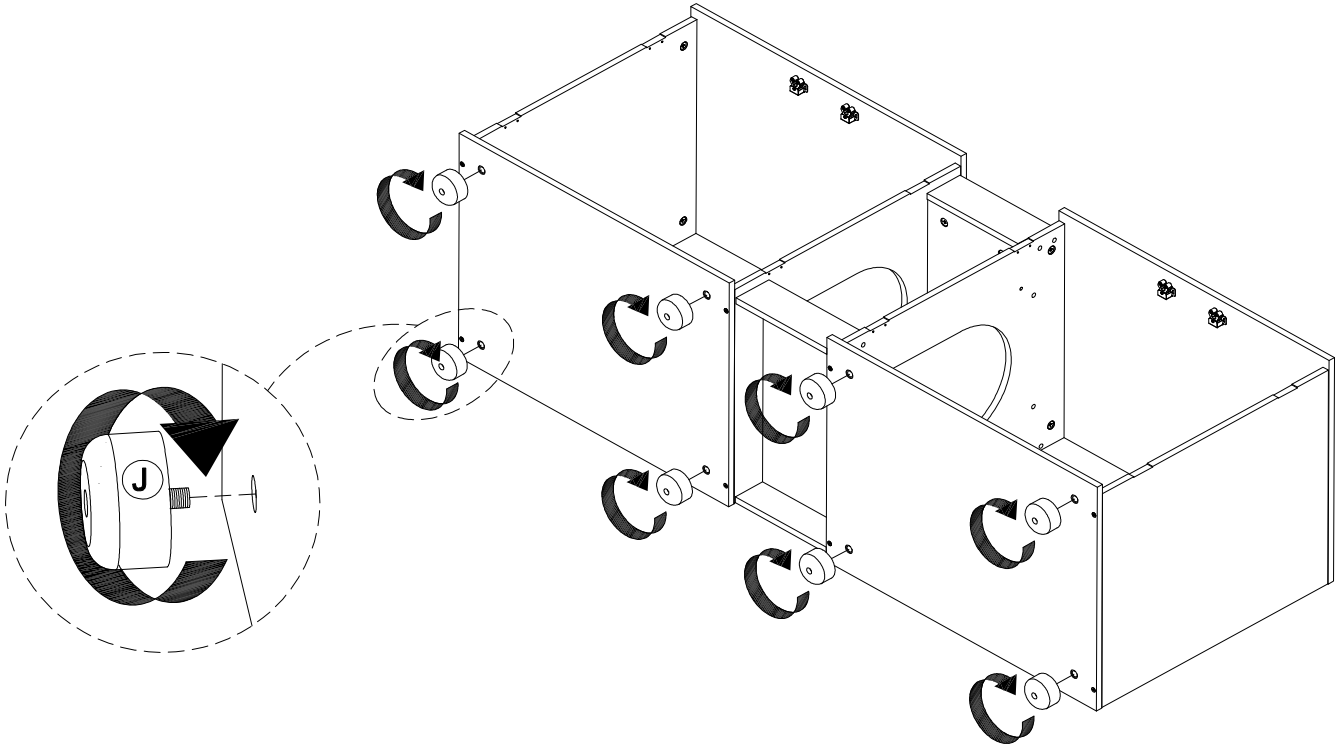
8

H x 22pcs



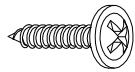
9

J x 8pcs

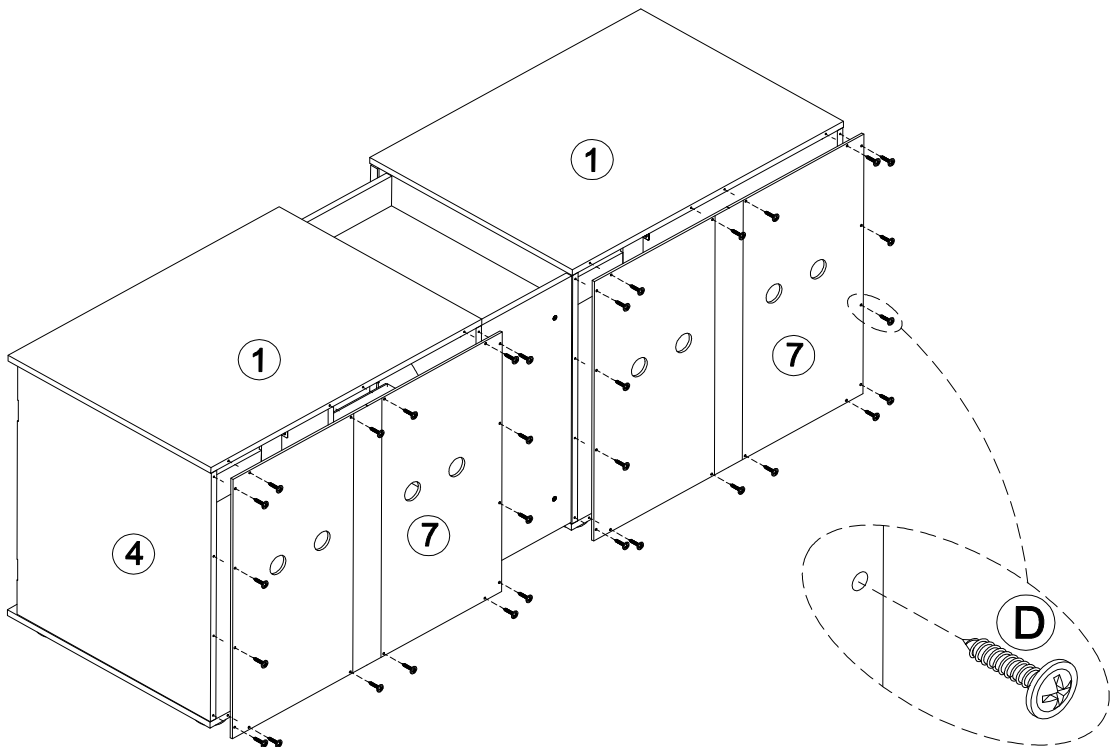


10

D x 32pcs

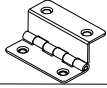


Ø8*Ø3.5*16mm



11

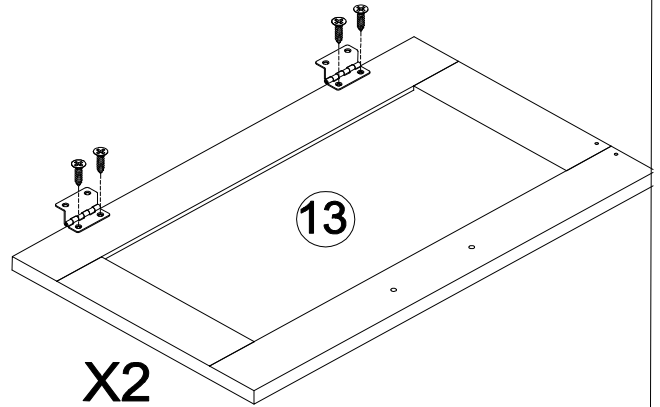
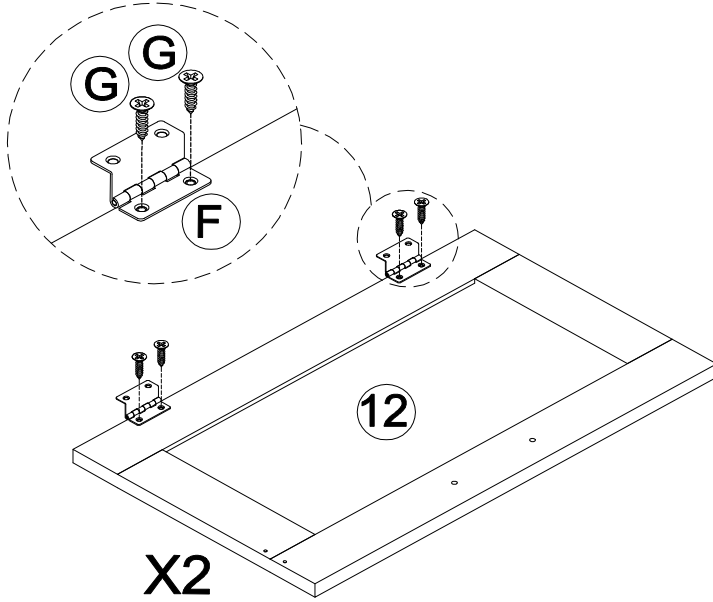
F x 8pcs



G x 16pcs

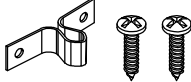


Ø7*Ø3.5*x12mm

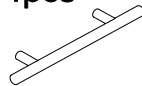


12

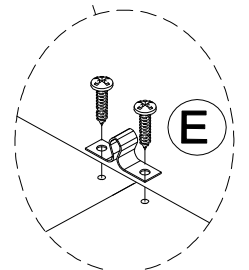
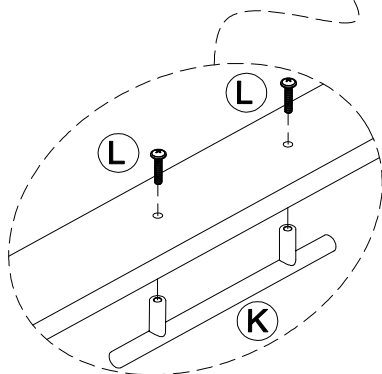
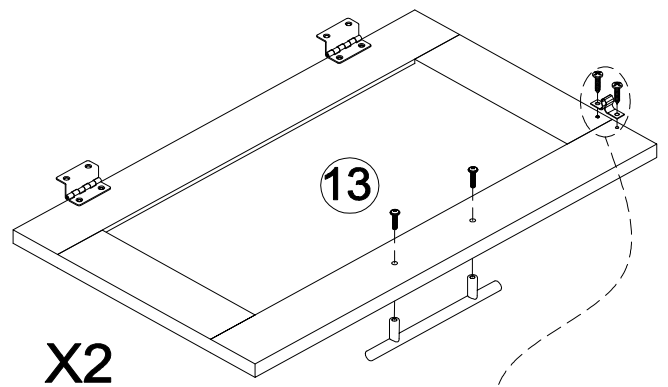
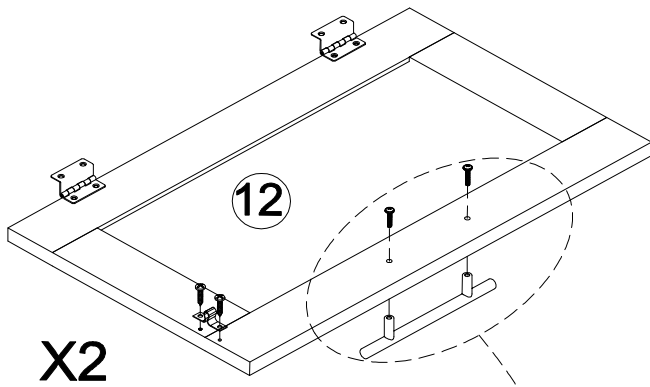
E x 4pcs



K x 4pcs



L x 8pcs

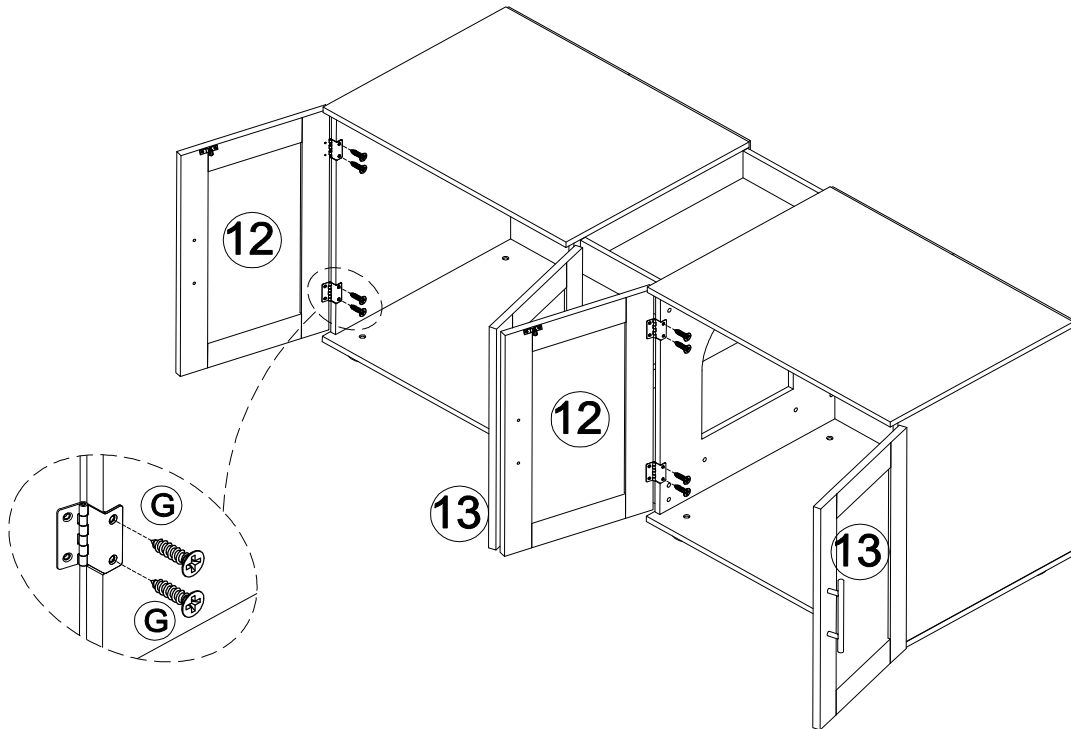


13

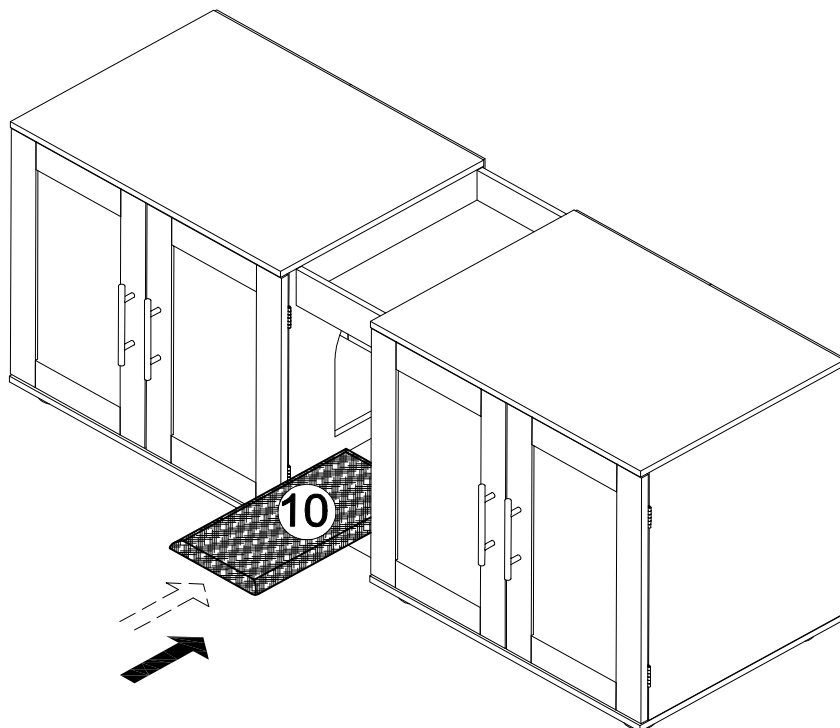
G x 16pcs



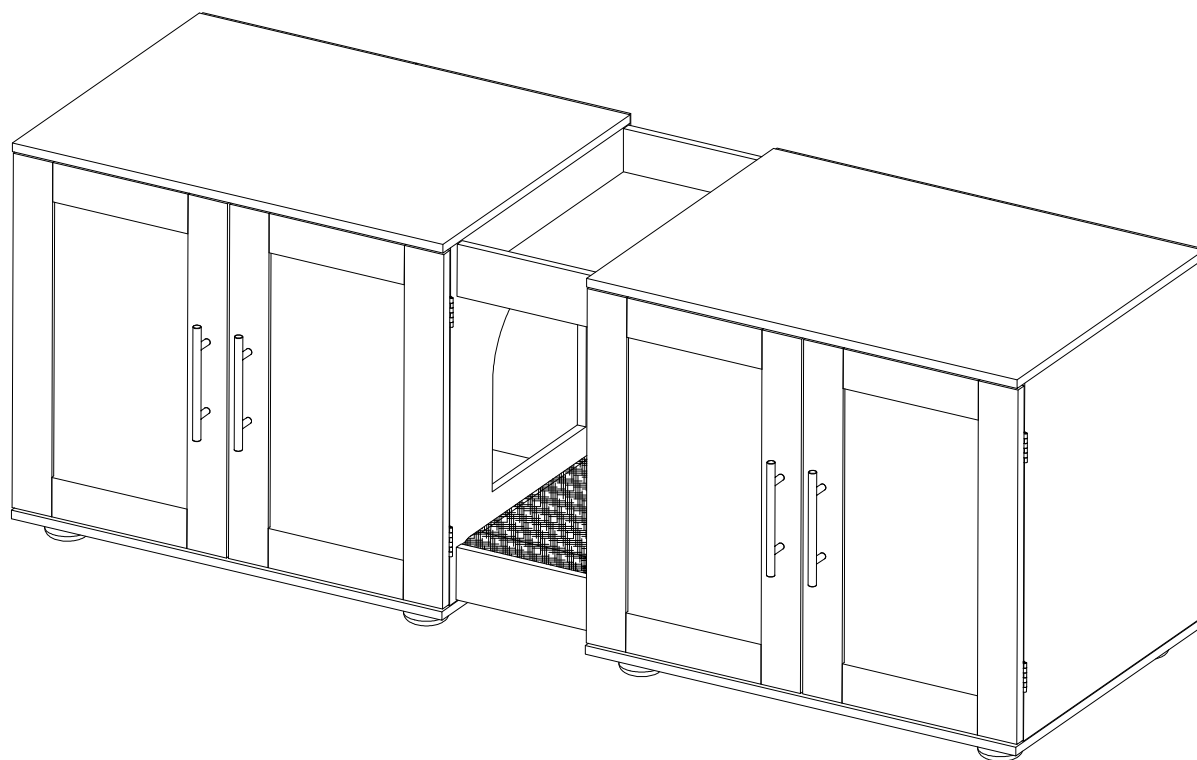
Ø7*Ø3.5*x12mm



14



15



When the door gap is uneven, please adjust the lever foot #J. This will solve the issue of uneven door gaps.